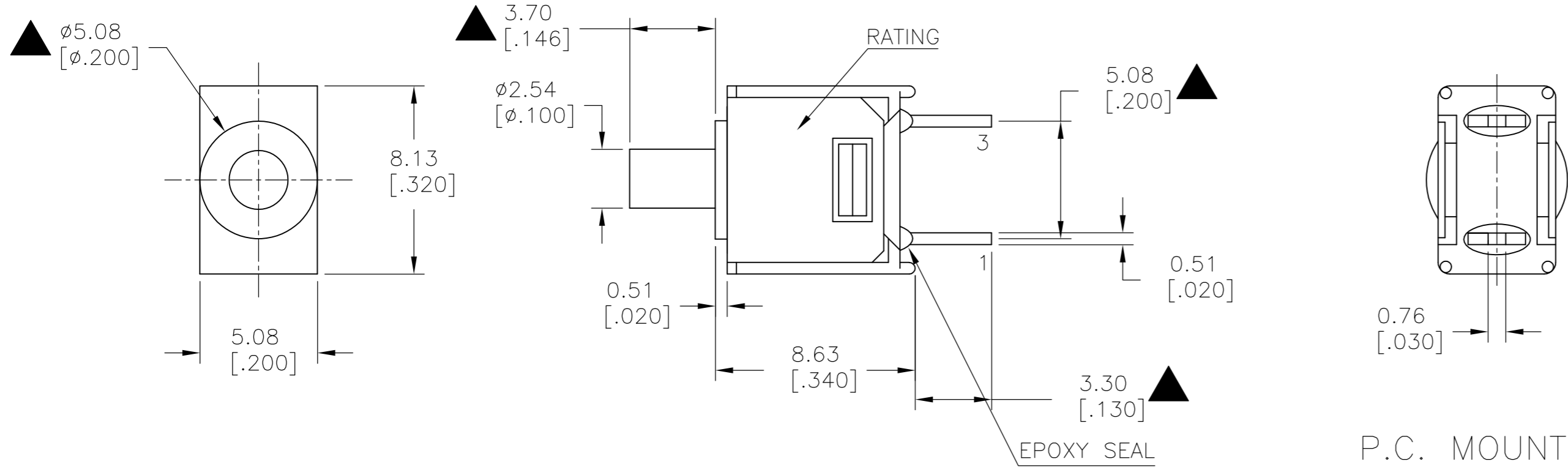


LOC		DIST		REVISIONS			
P	LTR	DESCRIPTION	DATE	DWN	APVD		
	A1	REVISED PER ECO-15-014342	07OCT2015	NK	RH		

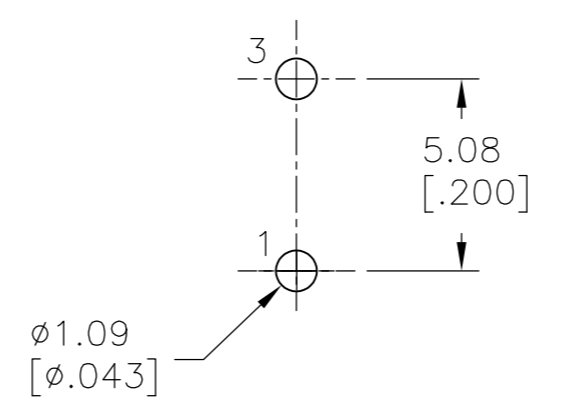


MODEL NO.	POS.1	POS.2
PMS9	OFF	MOM
TERM. COMM.	OPEN	1-3
SCHEMATIC		

SWITCH FUNCTION

P.C. MOUNTING

LAYOUT FOR PN 2267072-1



SPECIFICATIONS

- MECHANICAL LIFE: 50,000 MAKE-AND-BREAK CYCLES.
- CONTACT RESISTANCE: 20 m Ω MAX. INITIAL @ 2-4VDC
100mA FOR BOTH SILVER AND GOLD PLATED CONTACTS.
- CONTACT RATING: SILVER PLATED: 3A @ 120 VAC OR 28 VDC, 1A @ 250 VAC
GOLD PLATED: 0.4VA MAX @ 20 V MAX (AC OR DC)
- INSULATION RESISTANCE: 1,000 M Ω MIN.
- DIELECTRIC STRENGTH: 1,000 Vrms MIN.@SEA LEVEL.
- OPERATING TEMPERATURE: -30°C TO 85°C.

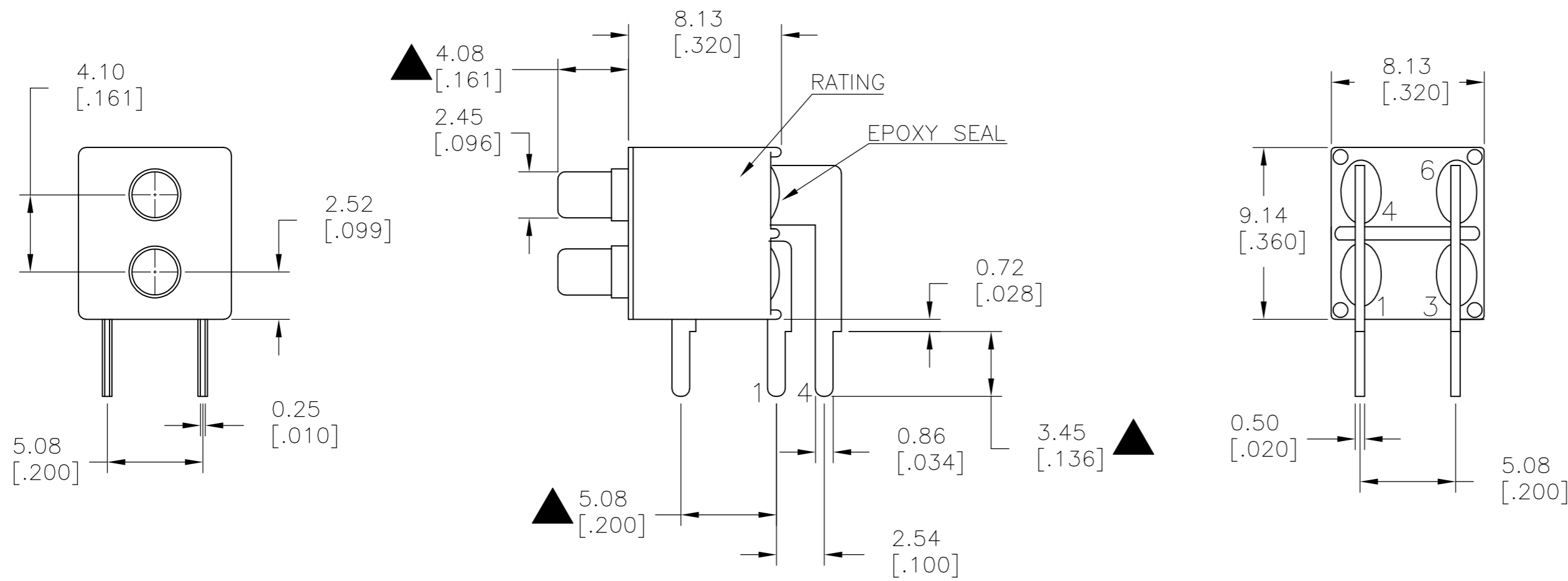
SILVER	ON-MOM	PC THROUGH HOLE	VERTICAL	1	1	PMS9P1B10M2QE	2267072-4
GOLD	OFF-MOM	PC THROUGH HOLE	RIGHT ANGLE	2	2	PMD9P1B10M6RE	2267072-3
GOLD	OFF-MOM	PC THROUGH HOLE	RIGHT ANGLE	1	1	PMS9P1B10M6RE	2267072-2
GOLD	OFF-MOM	PC THROUGH HOLE	VERTICAL	1	1	PMS9P1B10M2RE	2267072-1
CONTACT MATERIAL	FUNCTION	TERMINATION	MOUNT ANGLE	POLES	THROWS	DESCRIPTIVE PN	TE PN

THIS DRAWING IS A CONTROLLED DOCUMENT.

DIMENSIONS: mm [INCHES]	TOLERANCES UNLESS OTHERWISE SPECIFIED:	DWN NAGALAKSHMI K 09JUL2014	TE Connectivity SUBMINIATURE PUSH BUTTON SWITCH
	0 PLC ± -	CHK HILL, RYAN 09JUL2014	
	1 PLC ± 0.38[.015]	APVD HILL, RYAN 09JUL2014	
	2 PLC ± 0.25[.010]	NAME	
MATERIAL	FINISH	PRODUCT SPEC	SIZE CAGE CODE DRAWING NO RESTRICTED TO
		APPLICATION SPEC	A2 00779 C=2267072
		WEIGHT	SCALE 3:1 SHEET 1 of 3 REV A1
		CUSTOMER DRAWING	

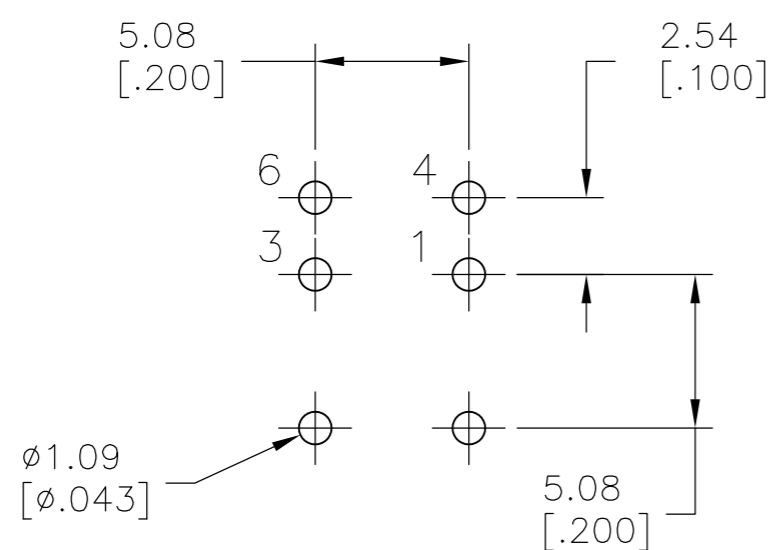
THIS DRAWING IS UNPUBLISHED. RELEASED FOR PUBLICATION
 © COPYRIGHT - By - ALL RIGHTS RESERVED.

REVISONS		DATE	DWN	APVD
P	LTR	DESCRIPTION		
-	-	SEE SHEET 1	-	-



MODEL NO.	POS.1	POS.2
PMS9	OFF	MOM
TERM. COMM.	1-3,4-6	
SCHEMATIC	OPEN	

SWITCH FUNCTION



P.C. MOUNTING

LAYOUT FOR PN 2267072-3

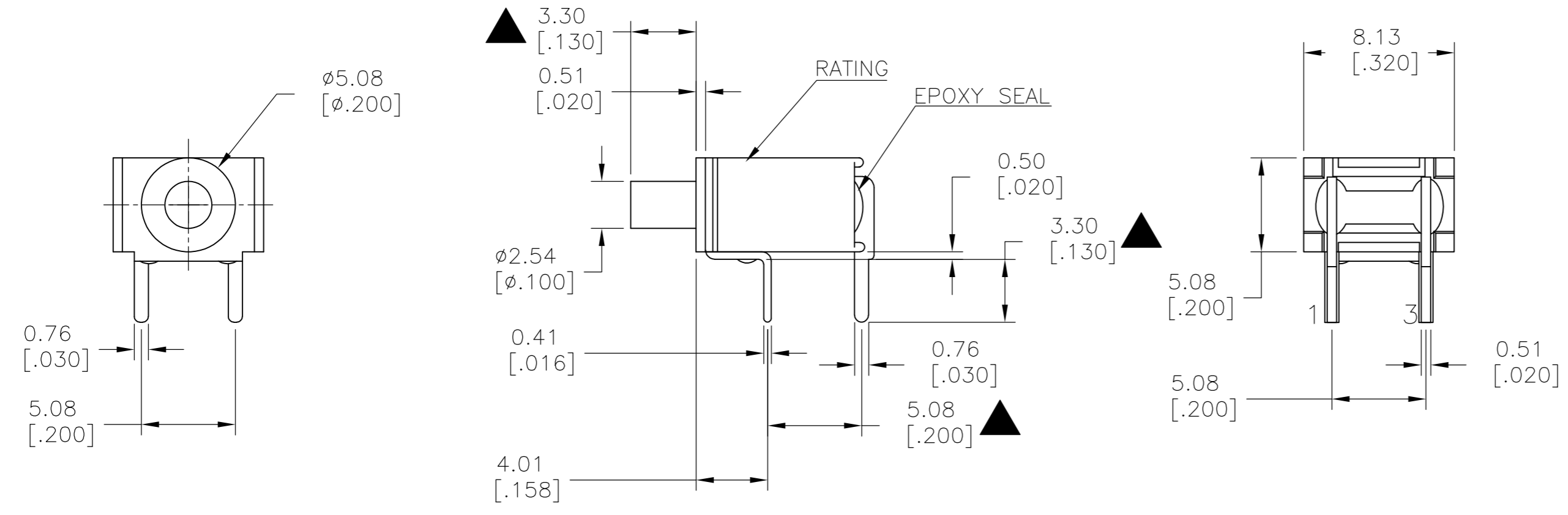
THIS DRAWING IS A CONTROLLED DOCUMENT.		DWN 09JUL2014 NAGALAKSHMI K		
DIMENSIONS: mm [INCHES]		CHK 09JUL2014 HILL, RYAN		
TOLERANCES UNLESS OTHERWISE SPECIFIED:		APVD 09JUL2014 HILL, RYAN	NAME	
0 PLC ± -		PRODUCT SPEC	SUBMINIATURE PUSH BUTTON SWITCH	
1 PLC ± 0.38[.015]		APPLICATION SPEC	SIZE	CAGE CODE
2 PLC ± 0.25[.010]		WEIGHT	A2	00779
3 PLC ± -		CUSTOMER DRAWING	DRAWING NO	RESTRICTED TO
4 PLC ± -		SCALE	C=2267072	-
ANGLES ± 5°		SHEET	2 OF 3	REV
FINISH		REV	A1	

THIS DRAWING IS UNPUBLISHED. RELEASED FOR PUBLICATION
 © COPYRIGHT - By - ALL RIGHTS RESERVED.

LOC		DIST		REVISIONS			
P	LTR	DESCRIPTION	DATE	DWN	APVD		
-	-	SEE SHEET 1	-	-	-		

MODEL NO.	POS.1	POS.2
PMD9	OFF	MOM
TERM. COMM.	OPEN	
SCHEMATIC		

SWITCH FUNCTION



P.C. MOUNTING

LAYOUT FOR PN 2267072-2

THIS DRAWING IS A CONTROLLED DOCUMENT.		DWN NAGALAKSHMI K 09JUL2014		
DIMENSIONS: mm [INCHES]		CHK HILL, RYAN 09JUL2014		
TOLERANCES UNLESS OTHERWISE SPECIFIED:		APVD HILL, RYAN 09JUL2014	NAME SUBMINIATURE PUSH BUTTON SWITCH	
0 PLC ± -		PRODUCT SPEC	SIZE A2	CAGE CODE 00779
1 PLC ± 0.38[.015]		APPLICATION SPEC	DRAWING NO C=2267072	RESTRICTED TO
2 PLC ± 0.25[.010]		WEIGHT	SCALE 3:1	SHEET 3 OF 3
3 PLC ± -		CUSTOMER DRAWING	REV A1	
4 PLC ± -				
ANGLES ± 5°				
FINISH				

X-ON Electronics

Largest Supplier of Electrical and Electronic Components

Click to view similar products for [Pushbutton Switches](#) category:

Click to view products by [TE Connectivity](#) manufacturer:

Other Similar products are found below :

[LW1L-M1C10V-A](#) [LW2L-A1C20M-GD](#) [LW2L-M1C20M-A](#) [60324L](#) [M7E-HRN2](#) [67021K512](#) [67081K512X](#) [701PB580](#) [719-5504-000](#)
[MDPSSGLFS](#) [810KSV30B](#) [FLT 2U EE 01A](#) [MML21KA3ABK](#) [MML23KA3AC05K-001](#) [MML23KW3AA01W](#) [8418K2](#) [8646AB6X718UL](#)
[8646ABUL](#) [FSDWH](#) [9001KXRK](#) [9001T8BK](#) [9533CD4+U574+U4922](#) [1203MRA](#) [A22EM01S](#) [A595](#) [1202A6](#) [12037A2ULCSA](#) [1203A2UL](#)
[ABD122N-B](#) [1211390004](#) [ABN111-Y](#) [ABN400-R](#) [1211500044](#) [1211580012](#) [1212MRA](#) [1232A6NF](#) [RA3CSH6A](#) [1241.1183.7047](#)
[1241.2511](#) [1241.3428](#) [1223A2ULCSA](#) [1223MRA](#) [1232AX2119](#) [1241.1183.8000](#) [1241.1183.8029](#) [1241.2506](#) [1241.2606](#) [12MA6](#)
[1301940184](#) [RELBARF6X10\(PLASTIC\)](#)