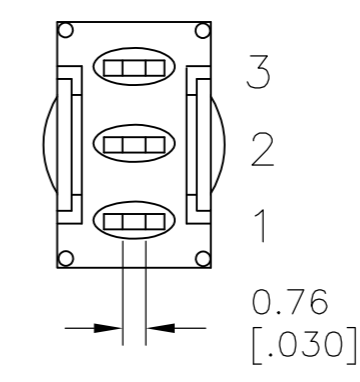
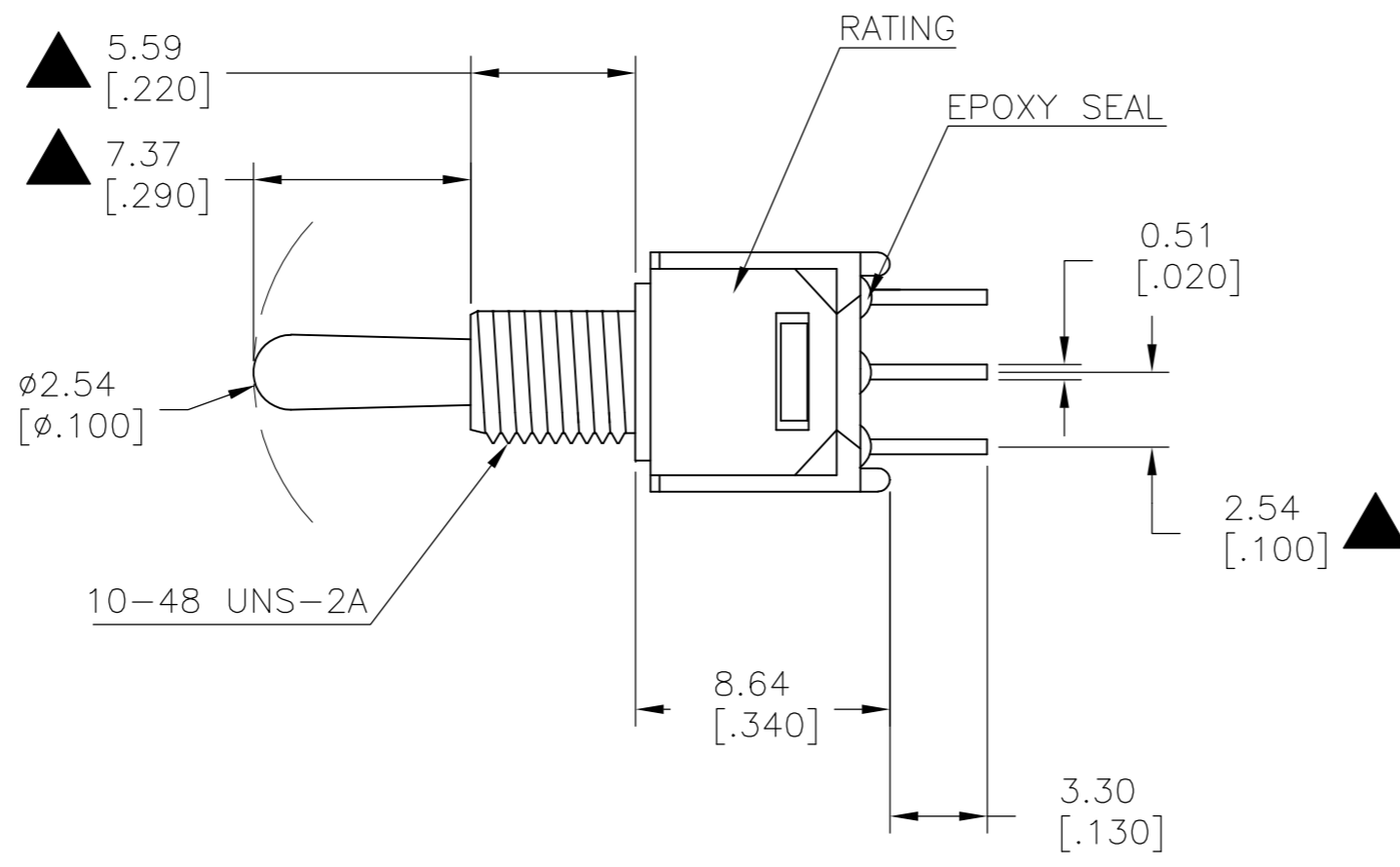
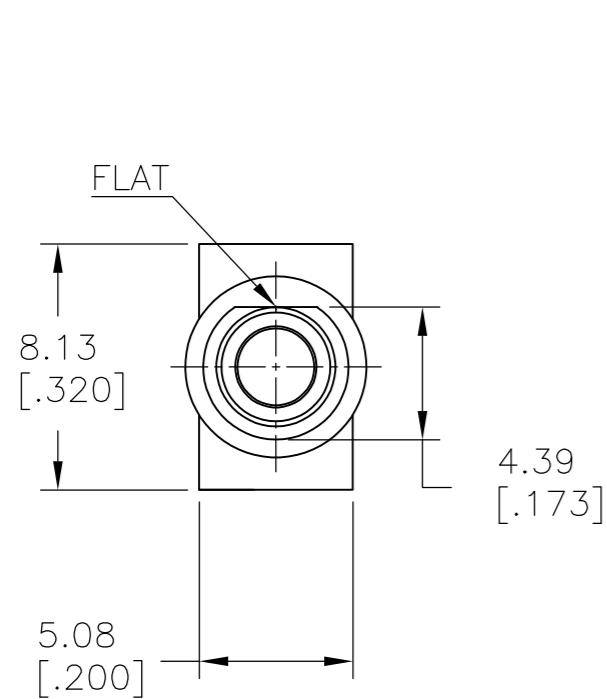


THIS DRAWING IS UNPUBLISHED. RELEASED FOR PUBLICATION  
 © COPYRIGHT - By - ALL RIGHTS RESERVED.

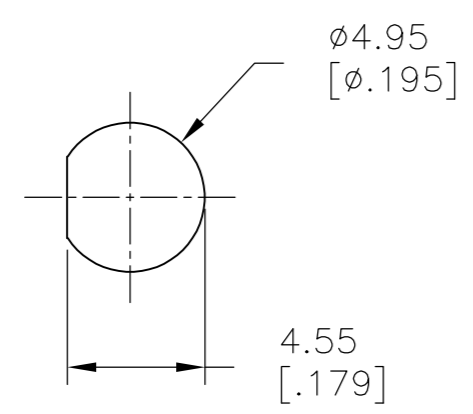
| LOC |     | DIST                      |  | REVISIONS |     |      |  |
|-----|-----|---------------------------|--|-----------|-----|------|--|
| P   | LTR | DESCRIPTION               |  | DATE      | DWN | APVD |  |
|     | A1  | REVISED PER ECO-15-014342 |  | 07OCT2015 | NK  | RH   |  |

1 HARDWARE SUPPLIED WITH THREADED-BUSHING  
 PARTS ONLY: TE P/N 2213733-1 (NUT) X2  
 P/N 2213733-2 (LOCKING WASHER) X1

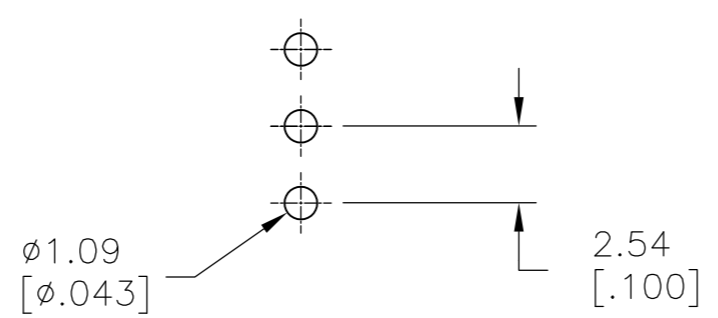


| MODEL NO.   | POS.1 | POS.2 | POS.3 |
|-------------|-------|-------|-------|
| TMS         | ON    | OFF   | ON    |
| TERM. COMM. | 2-3   |       | 2-1   |
| SCHEMATIC   | OPEN  |       |       |

SWITCH FUNCTION



PANEL MOUNTING



SOLDER LUG

LAYOUT FOR PN 2267079-6

SPECIFICATIONS

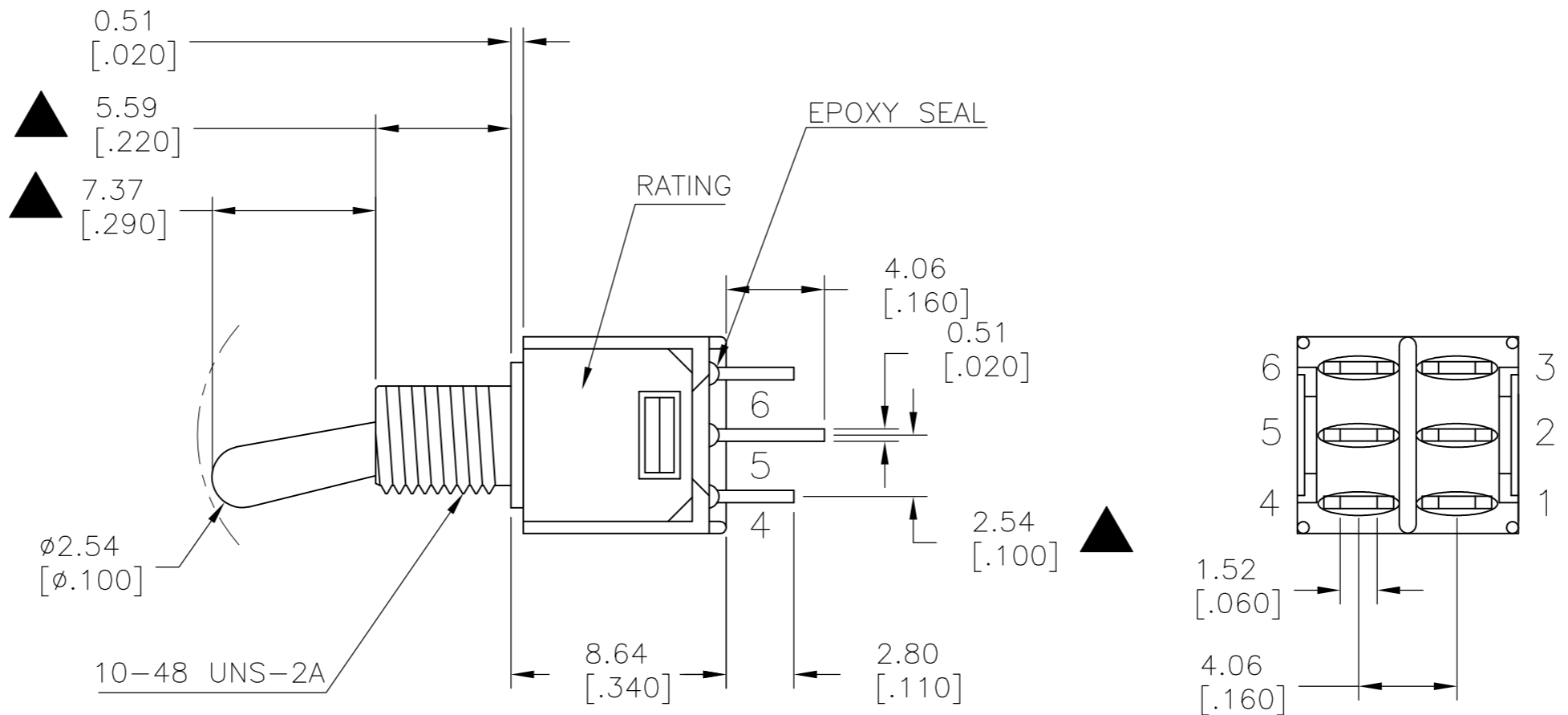
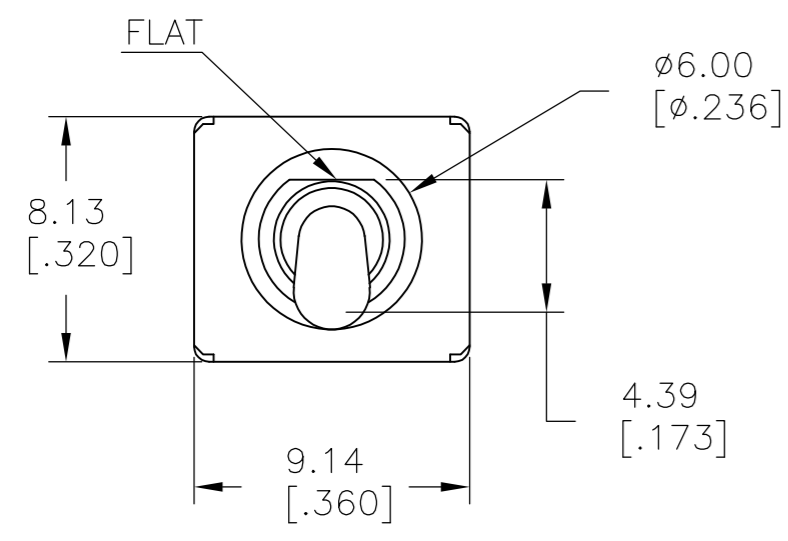
MECHANICAL LIFE: 30,000 MAKE-AND-BREAK CYCLES.  
 CONTACT RESISTANCE: 20 mΩ MAX. INITIAL @ 2-4VDC  
 100mA FOR BOTH SILVER AND GOLD PLATED CONTACTS.  
 CONTACT RATING: SILVER PLATED: 3A @ 120 VAC OR 28 VDC, 1A @ 250 VAC  
 GOLD PLATED: 0.4VA MAX @ 20 V MAX (AC OR DC)  
 INSULATION RESISTANCE: 1,000 MΩ MIN.  
 DIELECTRIC STRENGTH: 1,000 Vrms MIN.@SEA LEVEL.  
 OPERATING TEMPERATURE: -30°C TO 85°C.

|                  |           |                 |             |       |        |                |           |
|------------------|-----------|-----------------|-------------|-------|--------|----------------|-----------|
| GOLD             | ON-OFF-ON | PC THROUGH-HOLE | VERTICAL    | 1     | 2      | TMS3T3B1M2RE   | 2267079-6 |
| SILVER           | ON-ON     | SOLDER LUG      | VERTICAL    | 2     | 2      | TMD1T3B1M1QE   | 2267079-5 |
| SILVER           | ON-OFF-ON | SOLDER LUG      | VERTICAL    | 1     | 2      | TMS3T3B1M1QE   | 2267079-4 |
| SILVER           | ON-ON     | SOLDER LUG      | VERTICAL    | 1     | 2      | TMS1T3B1M1QE   | 2267079-3 |
| SILVER           | OFF-ON    | SOLDER LUG      | VERTICAL    | 1     | 2      | TMS6T3B1M1QE   | 2267079-2 |
| GOLD             | ON-ON     | WIRE WRAP       | VERTICAL    | 1     | 2      | TMS1T3B1M5RE   | 2267079-1 |
| CONTACT MATERIAL | FUNCTION  | TERMINATION     | MOUNT ANGLE | POLES | THROWS | DESCRIPTIVE PN | TE PN     |

|  |  |                                |   |  |
|--|--|--------------------------------|---|--|
| THIS DRAWING IS A CONTROLLED DOCUMENT. |  | DWN 11JUL2014<br>NAGALAKSHMI K | TE Connectivity                         |  |
| DIMENSIONS: mm [INCHES]                |  | CHK 11JUL2014<br>HILL, RYAN    |   |  |
| TOLERANCES UNLESS OTHERWISE SPECIFIED: |  | APVD 11JUL2014<br>HILL, RYAN   | NAME                                    |  |
| 0 PLC ± -                              |  | PRODUCT SPEC                   | SUBMINIATURE TOGGLE SWITCH              |  |
| 1 PLC ± 0.38[.015]                     |  | APPLICATION SPEC               | SIZE CAGE CODE DRAWING NO RESTRICTED TO |  |
| 2 PLC ± 0.25[.010]                     |  | WEIGHT -                       | A2 00779 C=2267079                      |  |
| 3 PLC ± -                              |  | CUSTOMER DRAWING               | SCALE 3:1 SHEET 1 of 6 REV A1           |  |
| 4 PLC ± -                              |  |                                |   |  |
| ANGLES ± 5°                            |  |                                |   |  |
| FINISH -                               |  |                                |   |  |

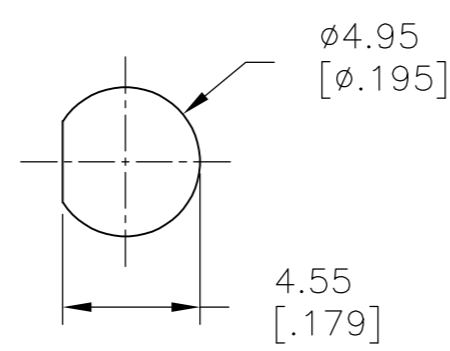
THIS DRAWING IS UNPUBLISHED. RELEASED FOR PUBLICATION  
 © COPYRIGHT - By - ALL RIGHTS RESERVED.

| LOC |     | DIST        |  | REVISIONS |     |      |  |
|-----|-----|-------------|--|-----------|-----|------|--|
| P   | LTR | DESCRIPTION |  | DATE      | DWN | APVD |  |
| -   | -   | SEE SHEET 1 |  | -         | -   | -    |  |

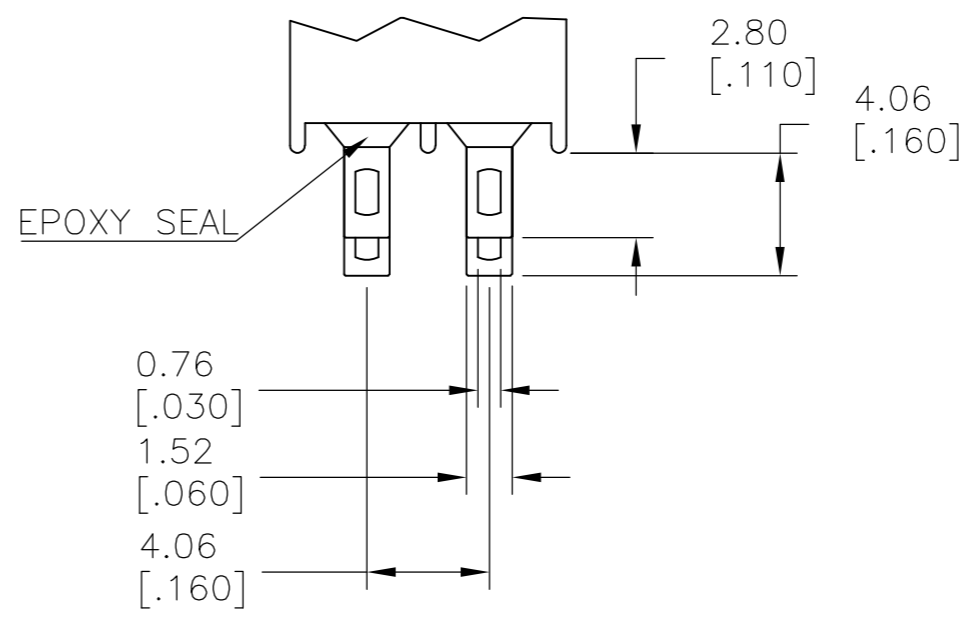


| MODEL NO.   | POS.1   | POS.2 | POS.3   |
|-------------|---------|-------|---------|
|             |         |       |         |
| TMS         | ON      | NONE  | ON      |
| TERM. COMM. | 2-3,5-6 |       | 2-1,5-4 |
| SCHEMATIC   | N/A     |       |         |
|             |         |       |         |

SWITCH FUNCTION



PANEL MOUNTING



SOLDER LUG

LAYOUT FOR PN 2267079-5

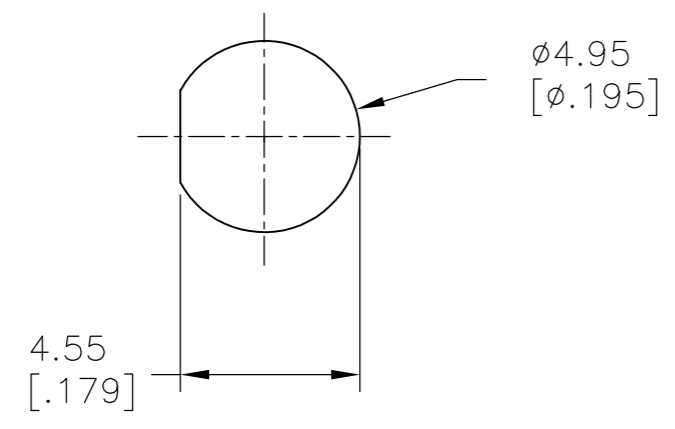
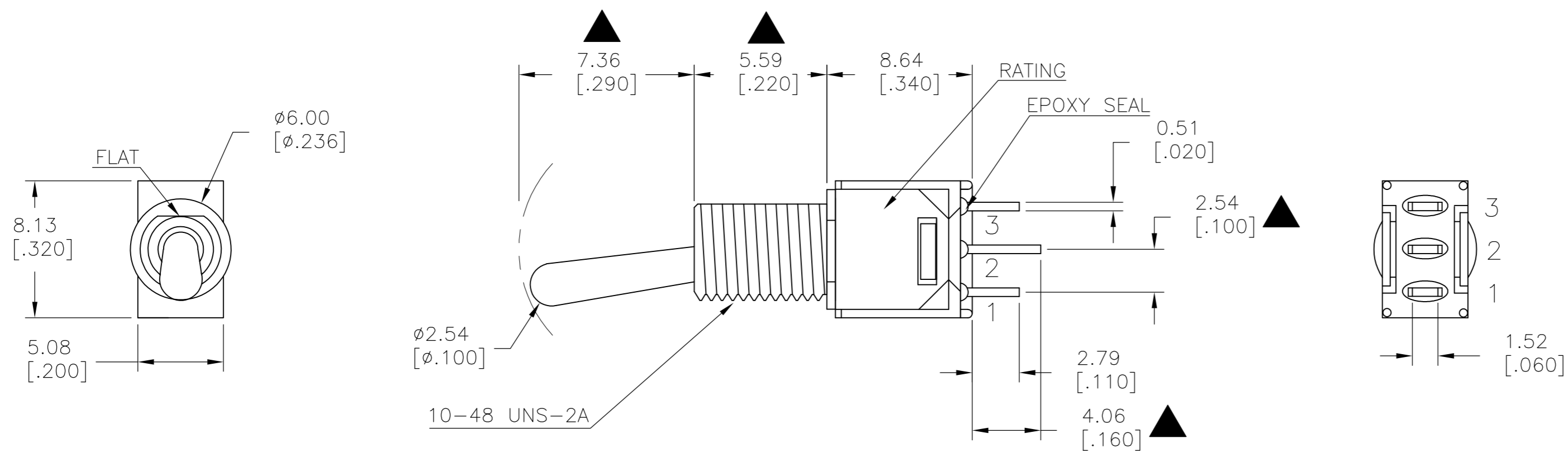
|  |  |   |                 |  |
|--|--|---|-----------------|--|
| THIS DRAWING IS A CONTROLLED DOCUMENT. |  | DWN 11JUL2014<br>NAGALAKSHMI K          | TE Connectivity |  |
| DIMENSIONS:<br>mm [INCHES]             |  | CHK 11JUL2014<br>HILL, RYAN             |                 |  |
| TOLERANCES UNLESS OTHERWISE SPECIFIED: |  | APVD 11JUL2014<br>HILL, RYAN            | NAME            |  |
| 0 PLC ± -                              |  | PRODUCT SPEC                            |                 |  |
| 1 PLC ± 0.38[.015]                     |  | APPLICATION SPEC                        |                 |  |
| 2 PLC ± 0.25[.010]                     |  | SIZE CAGE CODE DRAWING NO RESTRICTED TO |                 |  |
| 3 PLC ± -                              |  | A2 00779 C-2267079                      |                 |  |
| 4 PLC ± -                              |  | WEIGHT -                                |                 |  |
| ANGLES ± 5°                            |  | CUSTOMER DRAWING                        |                 |  |
| FINISH                                 |  | SCALE 3:1 SHEET 2 of 6 REV A1           |                 |  |

THIS DRAWING IS UNPUBLISHED. RELEASED FOR PUBLICATION  
 © COPYRIGHT - By - ALL RIGHTS RESERVED.

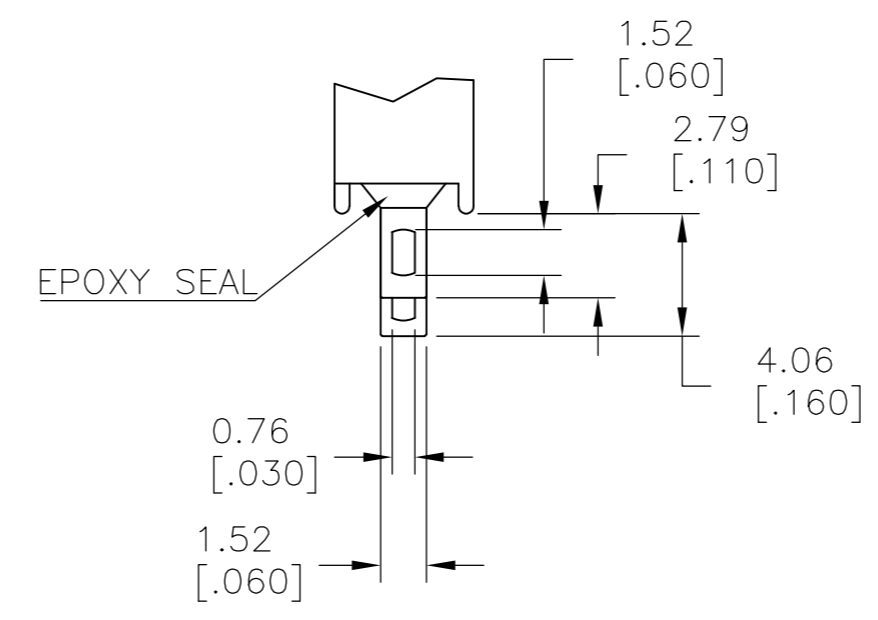
| LOC |     | DIST        |      | REVISIONS |      |  |  |
|-----|-----|-------------|------|-----------|------|--|--|
| P   | LTR | DESCRIPTION | DATE | DWN       | APVD |  |  |
| -   | -   | SEE SHEET 1 | -    | -         | -    |  |  |

| MODEL NO.   | POS.1 | POS.2 | POS.3 |
|-------------|-------|-------|-------|
|             |       |       |       |
| TMS         | ON    | NONE  | ON    |
| TERM. COMM. | 2-3   |       | 2-1   |
| SCHMATIC    |       | N/A   |       |

SWITCH FUNCTION



PANEL MOUNTING



SOLDER LUG

LAYOUT FOR PN 2267079-3

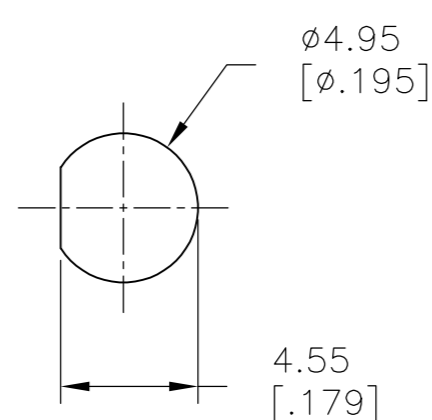
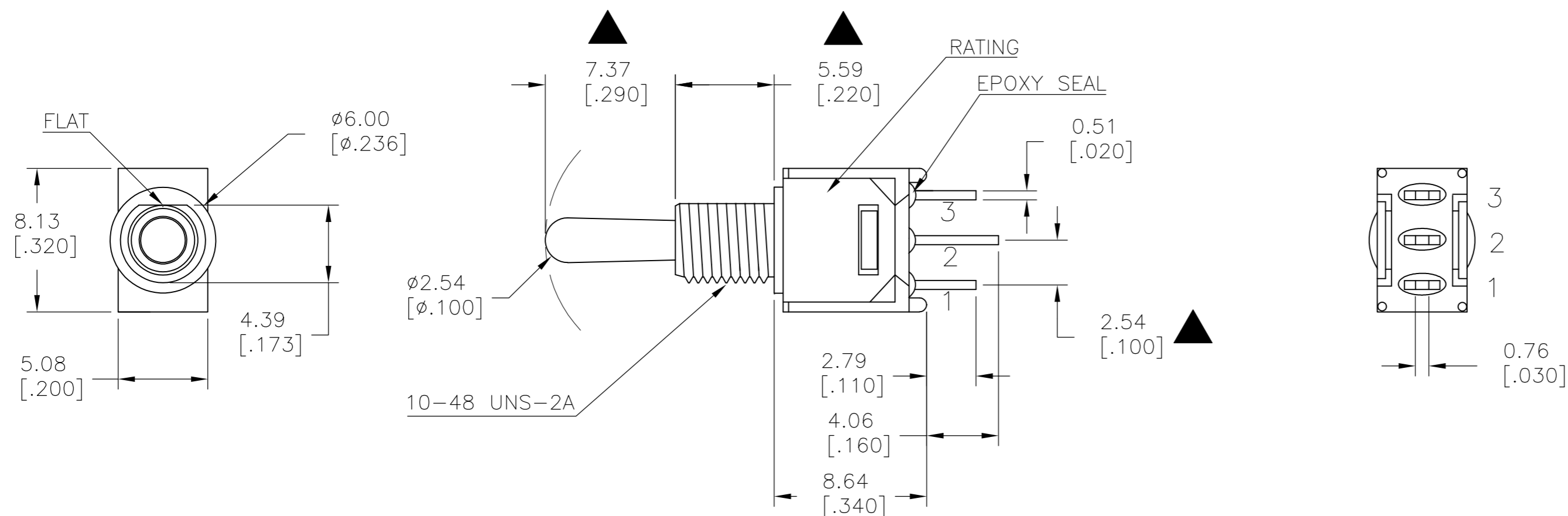
|  |  |   |                 |  |
|--|--|---|-----------------|--|
| THIS DRAWING IS A CONTROLLED DOCUMENT. |  | DWN 11JUL2014<br>NAGALAKSHMI K          | TE Connectivity |  |
| DIMENSIONS:<br>mm [INCHES]             |  | CHK 11JUL2014<br>HILL, RYAN             |                 |  |
| TOLERANCES UNLESS OTHERWISE SPECIFIED: |  | APVD 11JUL2014<br>HILL, RYAN            | NAME            |  |
| 0 PLC ± -                              |  | PRODUCT SPEC                            |                 |  |
| 1 PLC ± 0.38[.015]                     |  | APPLICATION SPEC                        |                 |  |
| 2 PLC ± 0.25[.010]                     |  | SIZE CAGE CODE DRAWING NO RESTRICTED TO |                 |  |
| 3 PLC ± -                              |  | A2 00779 C-2267079                      |                 |  |
| 4 PLC ± -                              |  | WEIGHT -                                |                 |  |
| ANGLES ± 5°                            |  | CUSTOMER DRAWING                        |                 |  |
| FINISH -                               |  | SCALE 3:1 SHEET 3 of 6 REV A1           |                 |  |

THIS DRAWING IS UNPUBLISHED. RELEASED FOR PUBLICATION  
 © COPYRIGHT - By - ALL RIGHTS RESERVED.

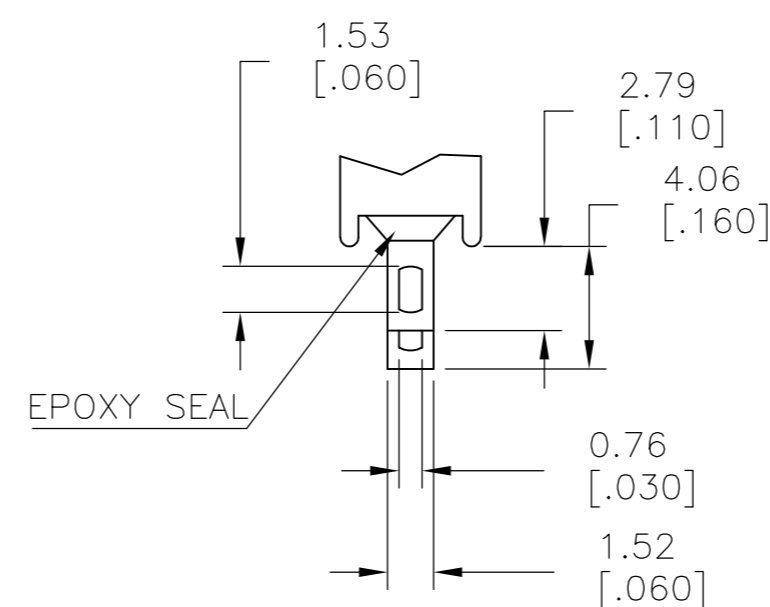
| LOC |     | DIST        |  | REVISIONS |     |      |  |
|-----|-----|-------------|--|-----------|-----|------|--|
| P   | LTR | DESCRIPTION |  | DATE      | DWN | APVD |  |
| -   | -   | SEE SHEET 1 |  | -         | -   | -    |  |

| MODEL NO.   | POS.1 | POS.2 | POS.3 |
|-------------|-------|-------|-------|
| TMS         | ON    | OFF   | ON    |
| TERM. COMM. | 2-3   |       | 2-1   |
| SCHMATIC    |       | OPEN  |       |

SWITCH FUNCTION



PANEL MOUNTING



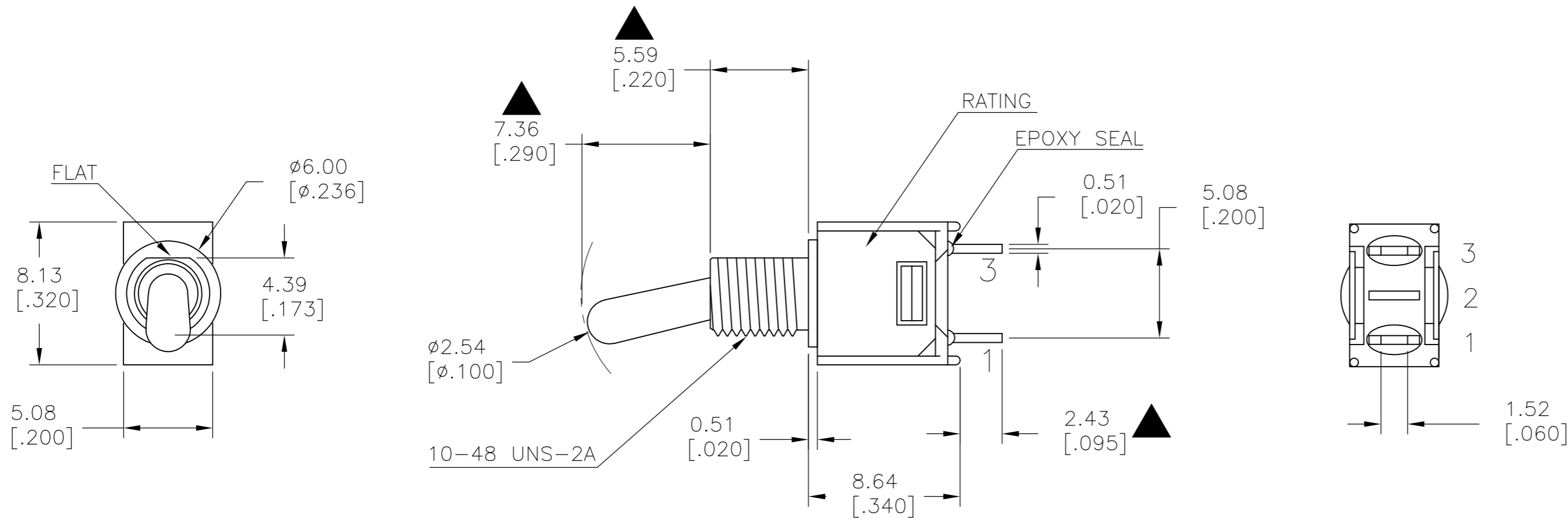
SOLDER LUG

LAYOUT FOR PN 2267079-4

|  |  |  |                 |  |
|--|--|--|-----------------|--|
| THIS DRAWING IS A CONTROLLED DOCUMENT. |  | DWN 11JUL2014<br>NAGALAKSHMI K                 | TE Connectivity |  |
| DIMENSIONS:<br>mm [INCHES]             |  | CHK 11JUL2014<br>HILL, RYAN                    |                 |  |
| TOLERANCES UNLESS OTHERWISE SPECIFIED: |  | APVD 11JUL2014<br>HILL, RYAN                   | NAME            |  |
| 0 PLC ± -                              |  | PRODUCT SPEC                                   |                 |  |
| 1 PLC ± 0.38[.015]                     |  | APPLICATION SPEC                               |                 |  |
| 2 PLC ± 0.25[.010]                     |  | SIZE CAGE CODE DRAWING NO RESTRICTED TO        |                 |  |
| 3 PLC ± -                              |  | A2 00779 C-2267079                             |                 |  |
| 4 PLC ± -                              |  | WEIGHT -                                       |                 |  |
| ANGLES ± 5°                            |  | CUSTOMER DRAWING SCALE 3:1 SHEET 4 of 6 REV A1 |                 |  |
| FINISH                                 |  |  |                 |  |

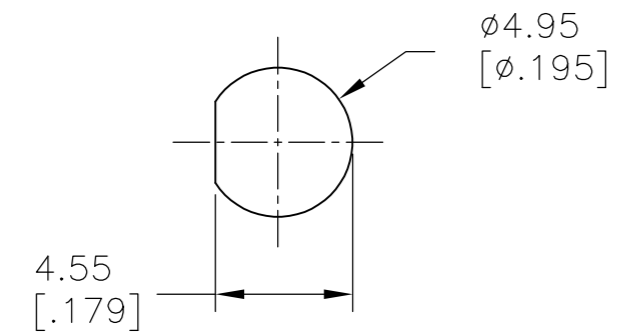
THIS DRAWING IS UNPUBLISHED. RELEASED FOR PUBLICATION  
 © COPYRIGHT - By - ALL RIGHTS RESERVED.

| LOC |     | DIST        |      | REVISIONS |      |   |   |
|-----|-----|-------------|------|-----------|------|---|---|
| P   | LTR | DESCRIPTION | DATE | DWN       | APVD |   |   |
| -   | -   | SEE SHEET 1 | -    | -         | -    | - | - |

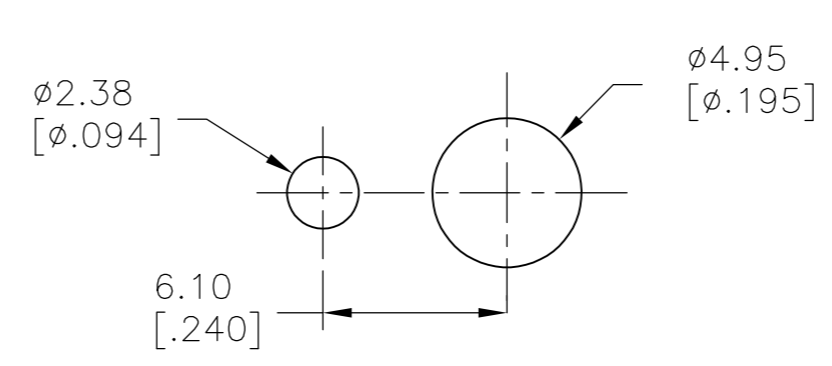


| MODEL NO.   | POS.1 | POS.2 | POS.3 |
|-------------|-------|-------|-------|
|             |       |       |       |
| TMD         | OFF   | NONE  | ON    |
| TERM. COMM. | OPEN  | N/A   | 3-1   |
| SCHEMATIC   |       |       |       |

SWITCH FUNCTION



WITHOUT LOCKING RING



WITH STANDARD LOCKING RING

PANEL MOUNTING

LAYOUT FOR PN 2267079-2

|  |  |   |                 |  |
|--|--|---|-----------------|--|
| THIS DRAWING IS A CONTROLLED DOCUMENT. |  | DWN 11JUL2014<br>NAGALAKSHMI K          | TE Connectivity |  |
| DIMENSIONS:<br>mm [INCHES]             |  | CHK 11JUL2014<br>HILL, RYAN             |                 |  |
| TOLERANCES UNLESS OTHERWISE SPECIFIED: |  | APVD 11JUL2014<br>HILL, RYAN            | NAME            |  |
| 0 PLC ± -                              |  | PRODUCT SPEC                            |                 |  |
| 1 PLC ± 0.38 [.015]                    |  | APPLICATION SPEC                        |                 |  |
| 2 PLC ± 0.25 [.010]                    |  | SIZE CAGE CODE DRAWING NO RESTRICTED TO |                 |  |
| 3 PLC ± -                              |  | A2 00779 C-2267079                      |                 |  |
| 4 PLC ± -                              |  | SCALE 3:1 SHEET 5 of 6 REV A1           |                 |  |
| ANGLES ± 5°                            |  | CUSTOMER DRAWING                        |                 |  |
| FINISH                                 |  |   |                 |  |



## X-ON Electronics

Largest Supplier of Electrical and Electronic Components

*Click to view similar products for [Toggle Switches](#) category:*

*Click to view products by [TE Connectivity](#) manufacturer:*

Other Similar products are found below :

[8A1-C-222](#) [60012L](#) [6006L](#) [6663](#) [7101MD9V30GE](#) [7101SPDV30BE](#) [7103SDV30BE](#) [7105D](#) [7108P3YAV2BE](#) [71YY50282](#)  
[7201MD9AVBE](#) [7301K38](#) [7306K36](#) [7310K36](#) [7314K36](#) [7506K4](#) [7592K6](#) [7691K14](#) [7700K1](#) [8396K108](#) [8824K14](#) [8828K13](#) [G2VX](#) [G3VX](#)  
[PS83-121G](#) [A101MD9AB04](#) [A101SD9AB04](#) [A101SDCQ04](#) [A103SD9AQ04](#) [A107TZB04](#) [A123P32YZQ](#) [A123S1YZG](#) [A127S1YCQ](#) [1-](#)  
[1825192-0](#) [A131S1YZQ](#) [A201SCWZB04](#) [A207SYCB04](#) [A208J61ZQ0004](#) [A221K12KAG](#) [A221S1YZQ](#) [A221T1TCQ](#) [A232K12KZQ](#)  
[A232M1YCQ](#) [A323S1CWZQ](#) [A423S1CWZG-M8](#) [A423S1YZQ](#) [12149A-3V](#) [12156AX408](#) [12147AGKX679](#) [12149AD2G0383VX408](#)