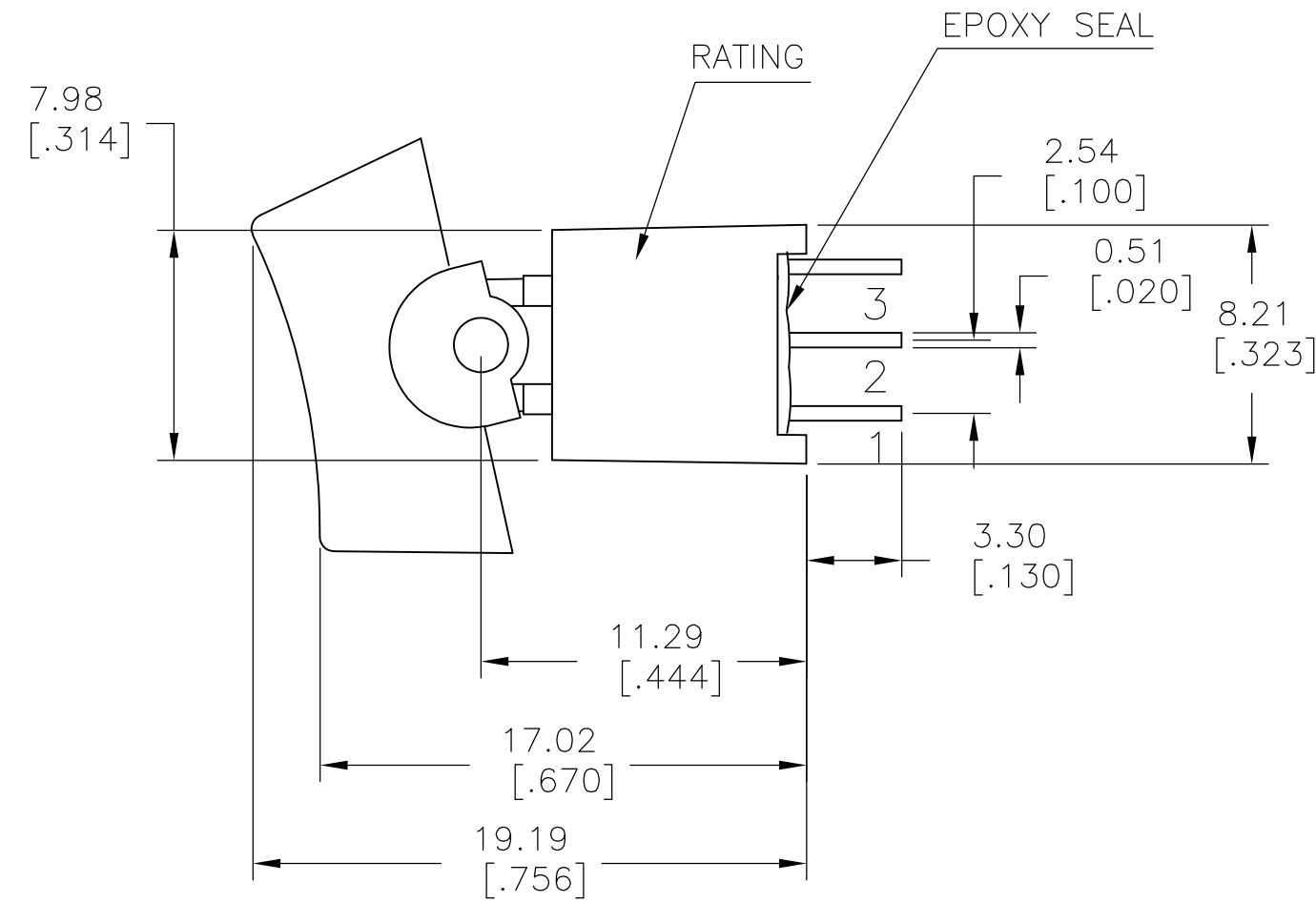
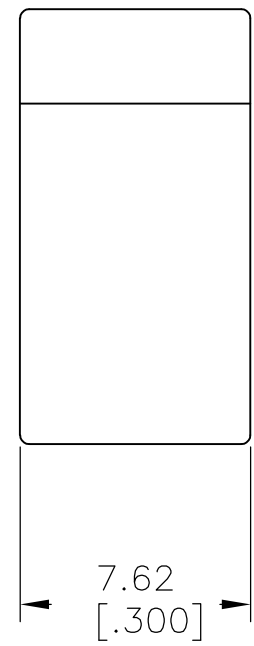


THIS DRAWING IS UNPUBLISHED. RELEASED FOR PUBLICATION
 © COPYRIGHT - By - ALL RIGHTS RESERVED.

LOC		DIST		REVISIONS			
P	LTR	DESCRIPTION		DATE	DWN	APVD	
-	-	A		NEW DRAWING PER ECO-14-009318	10JUL2014	NK	RH

SPECIFICATIONS

MECHANICAL LIFE: 30,000 MAKE-AND-BREAK CYCLES.
 CONTACT RESISTANCE: 20 mΩ MAX. INITIAL @ 2-4VDC
 100mA FOR BOTH SILVER AND GOLD
 PLATED CONTACTS.
 CONTACT RATING: GOLD-0.4 VA MAX @ 20 V MAX (AC OR DC)
 SILVER-3 A @ 120 VAC OR 28 VDC
 1 A @ 250 VAC
 INSULATION RESISTANCE: 1,000 MΩ MIN.
 DIELECTRIC STRENGTH: 1,000 Vrms @SEA LEVEL.
 OPERATING TEMPERATURE: -30°C TO 85°C.



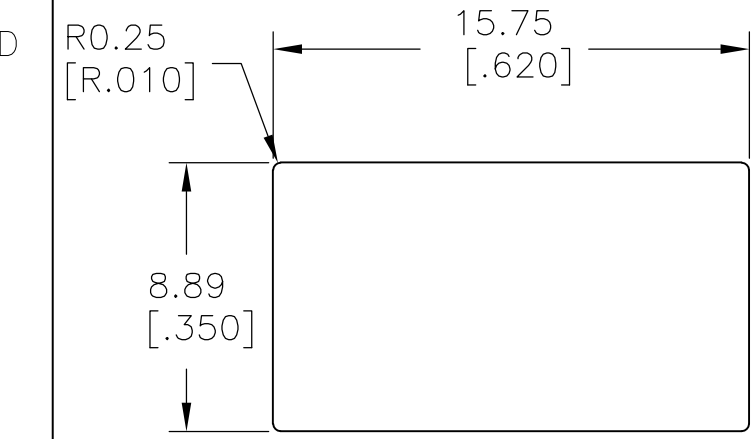
SILVER	2-1,5-4	2-3,5-6	ON-ON	V-BRACKET	VERTICAL	2	2	RAD1R102VS2QES	2267088-8
GOLD	2-1	2-3	ON-ON	V-BRACKET	VERTICAL	1	2	RAS1R102VS2RES	2267088-7
GOLD	2-1,5-4	2-3,5-6	ON-ON	PC THROUGH HOLE	VERTICAL RIGHT ANGLE	2	2	RAD1R102M7RES	2267088-6
GOLD	2-1	2-3	ON-ON	PC THROUGH HOLE	VERTICAL RIGHT ANGLE	1	2	RAS1R102M7RES	2267088-5
SILVER	2-1,5-4	2-3,5-6	ON-ON	PC THROUGH HOLE	RIGHT ANGLE	2	2	RAD1R102M6QES	2267088-4
SILVER	2-1	2-3	ON-ON	PC THROUGH HOLE	RIGHT ANGLE	1	2	RAS1R202M6QES	2267088-3
SILVER	2-1,5-4	2-3,5-6	ON-ON	PC THROUGH HOLE	VERTICAL	2	2	RAD1R102M2QES	2267088-2
GOLD	2-1	2-3	ON-ON	PC THROUGH HOLE	VERTICAL	1	2	RAS1R102M2RES	2267088-1
CONTACT MATERIAL	POS 2	POS 1	FUNCTION	TERMINATION	MOUNT ANGLE	POLES	THROWS	DESCRIPTIVE PN	TE PN

THIS DRAWING IS A CONTROLLED DOCUMENT.		DWN NAGALAKSHMI K 10JUL2014	TE Connectivity SUBMINIATURE ROCKER SWITCHES	
DIMENSIONS: mm [INCHES]		CHK HILL, RYAN 10JUL2014		
TOLERANCES UNLESS OTHERWISE SPECIFIED:		APVD HILL, RYAN 10JUL2014	NAME	
0 PLC ± -		PRODUCT SPEC	SIZE	
1 PLC ± 0.38[.015]		APPLICATION SPEC	CAGE CODE	
2 PLC ± 0.25[.010]			DRAWING NO	
3 PLC ± -			RESTRICTED TO	
4 PLC ± -			SCALE	
ANGLES ± 5°			SHEET	
MATERIAL	FINISH	WEIGHT	REV	
-	-	-	A	
CUSTOMER DRAWING			SCALE 3:1 SHEET 1 OF 5 REV A	

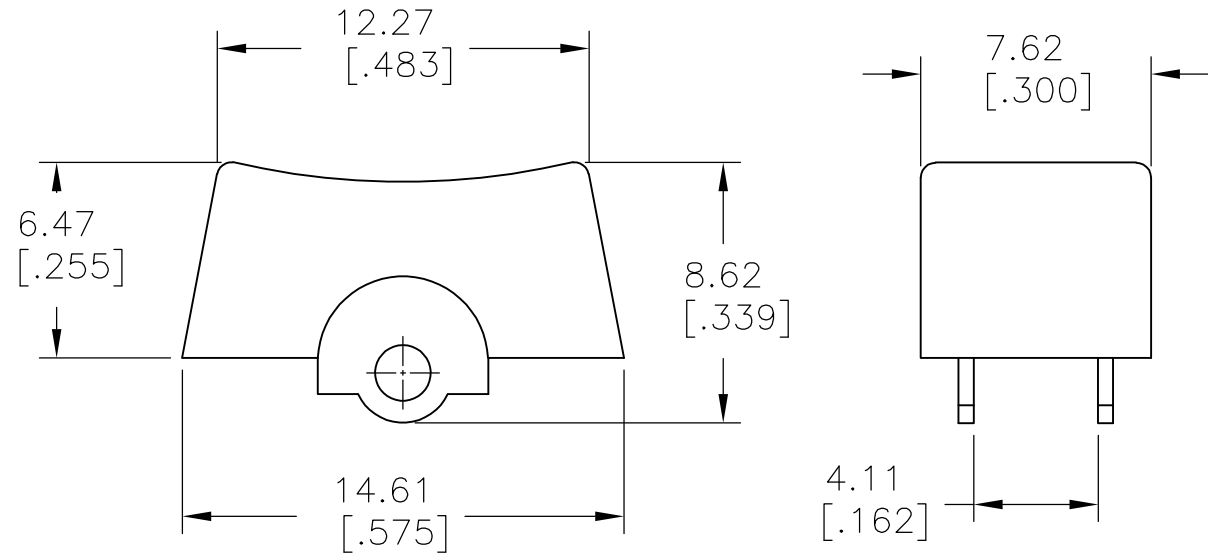
THIS DRAWING IS UNPUBLISHED. RELEASED FOR PUBLICATION
 © COPYRIGHT - By - ALL RIGHTS RESERVED.

LOC		DIST		REVISIONS			
P	LTR	DESCRIPTION	DATE	DWN	APVD		
-	-	SEE SHEET 1	-	-	-		

ACTUATOR OPTIONS

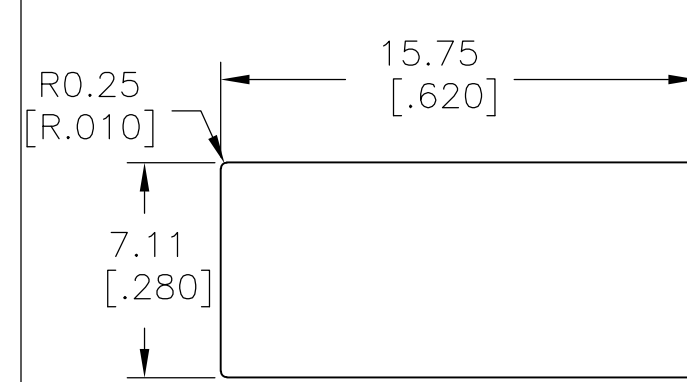


PANEL MOUNTING

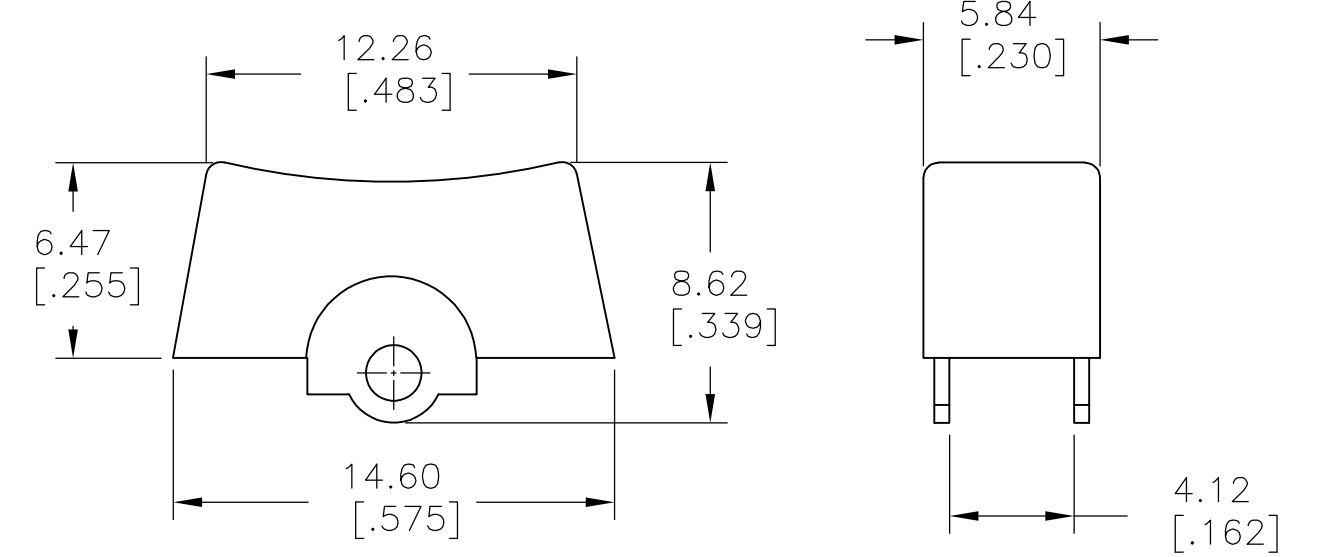


R1

WIDE ACTUATOR



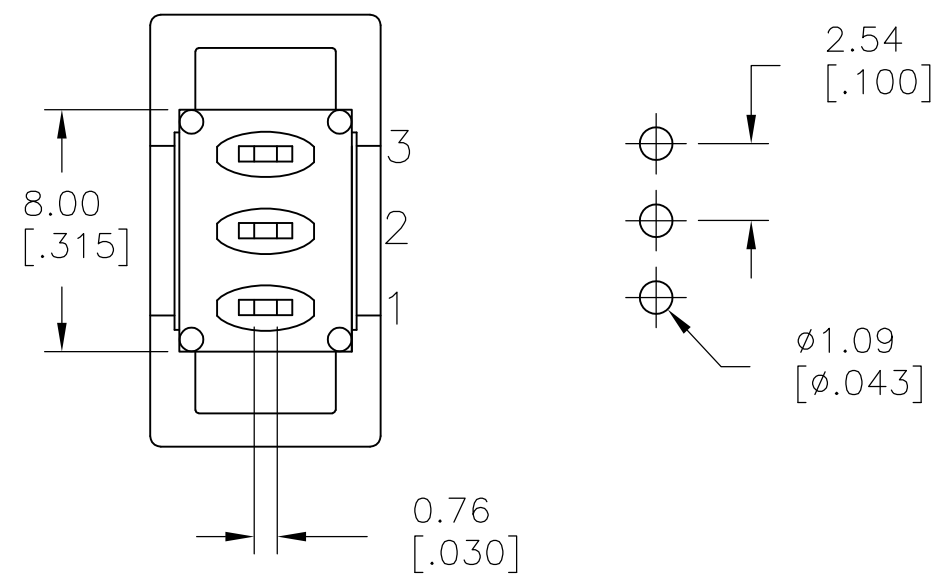
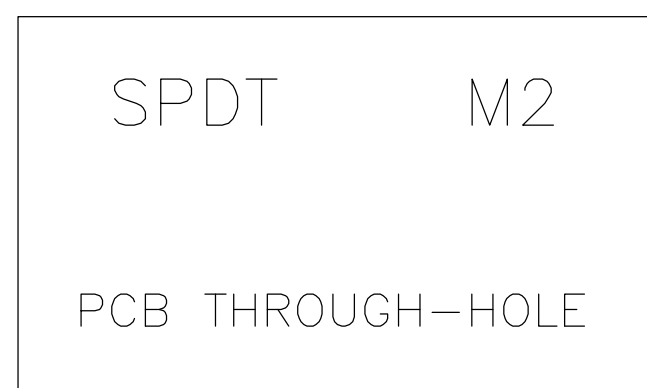
PANEL MOUNTING



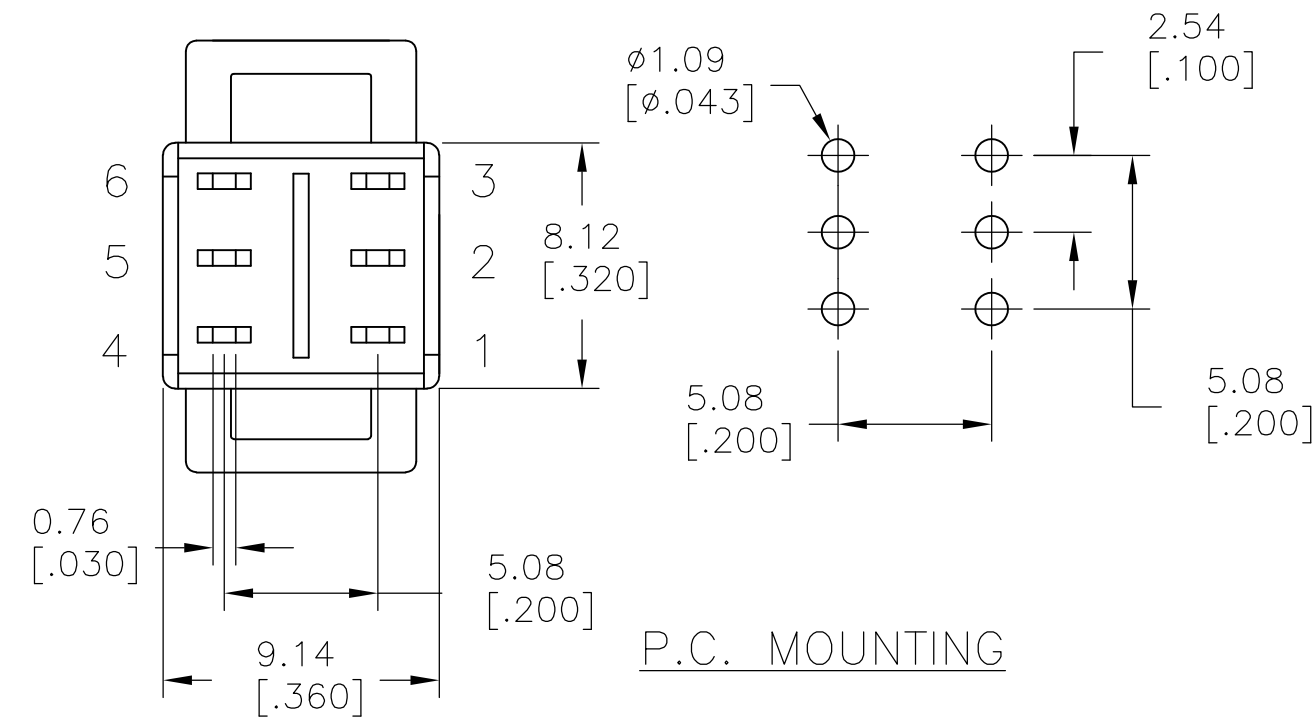
R2

NARROW ACTUATOR

TERMINATION OPTIONS



P.C. MOUNTING



P.C. MOUNTING

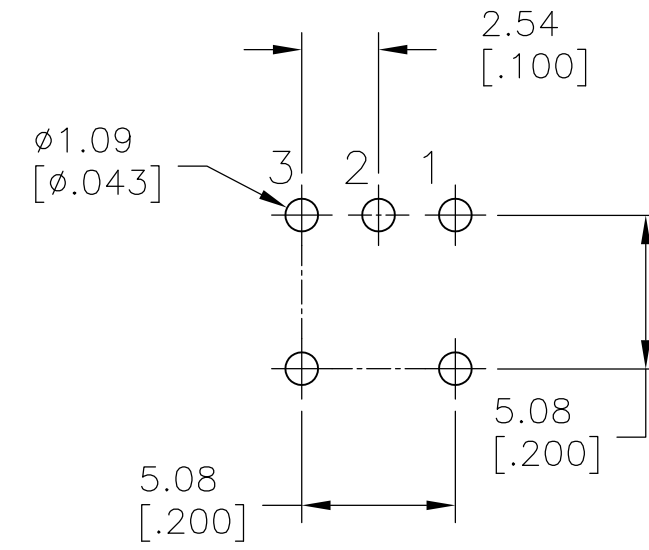
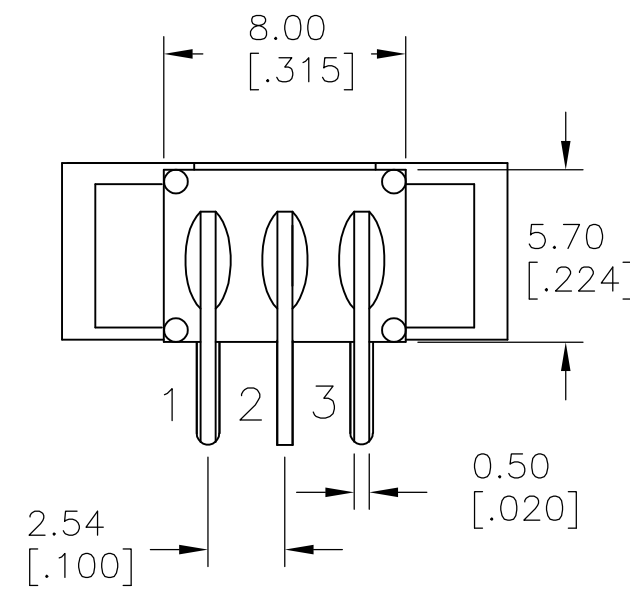
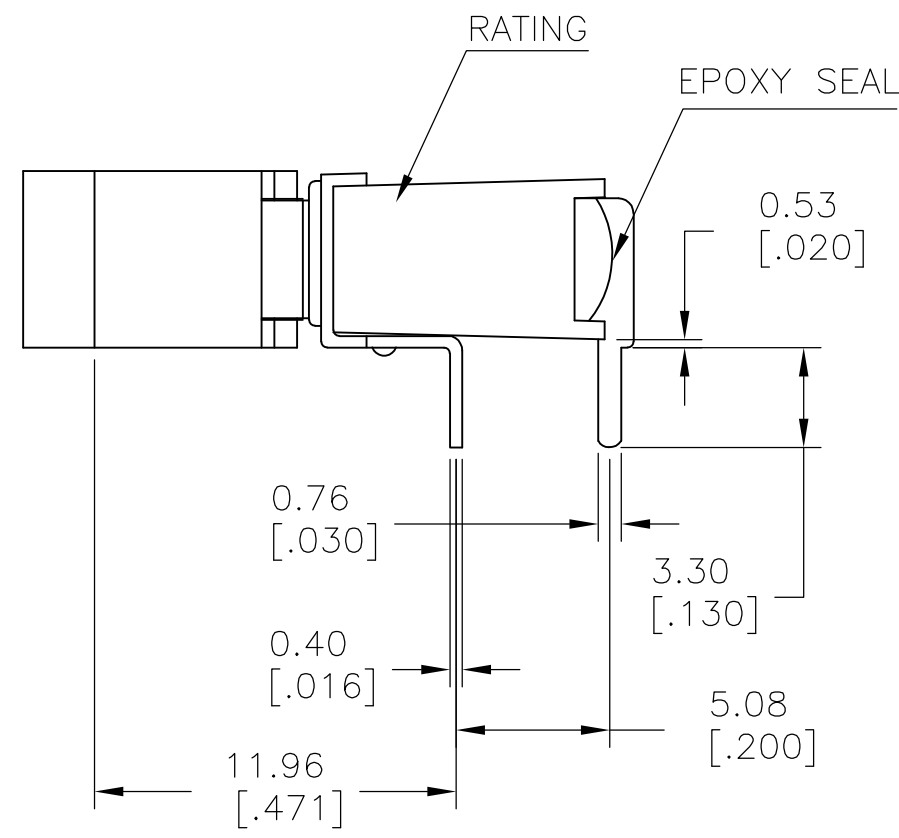
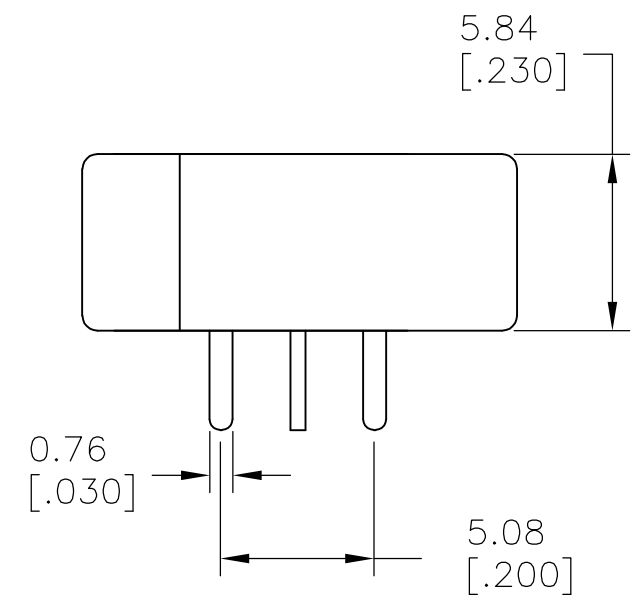


LAYOUT FOR PN 2267088-1 & 2

THIS DRAWING IS A CONTROLLED DOCUMENT.		DWN NAGALAKSHMI K 10JUL2014	TE Connectivity	
DIMENSIONS: mm [INCHES]		CHK HILL, RYAN 10JUL2014		
TOLERANCES UNLESS OTHERWISE SPECIFIED:		APVD HILL, RYAN 10JUL2014	NAME SUBMINIATURE ROCKER SWITCHES	
0 PLC ± - 1 PLC ± 0.38[.015] 2 PLC ± 0.25[.010] 3 PLC ± - 4 PLC ± - ANGLES ± 5°		PRODUCT SPEC	RESTRICTED TO	
MATERIAL		APPLICATION SPEC	SIZE A2	CAGE CODE 00779
FINISH		WEIGHT	DRAWING NO C=2267088	SCALE 3:1
		CUSTOMER DRAWING	SHEET 2 of 5	REV A

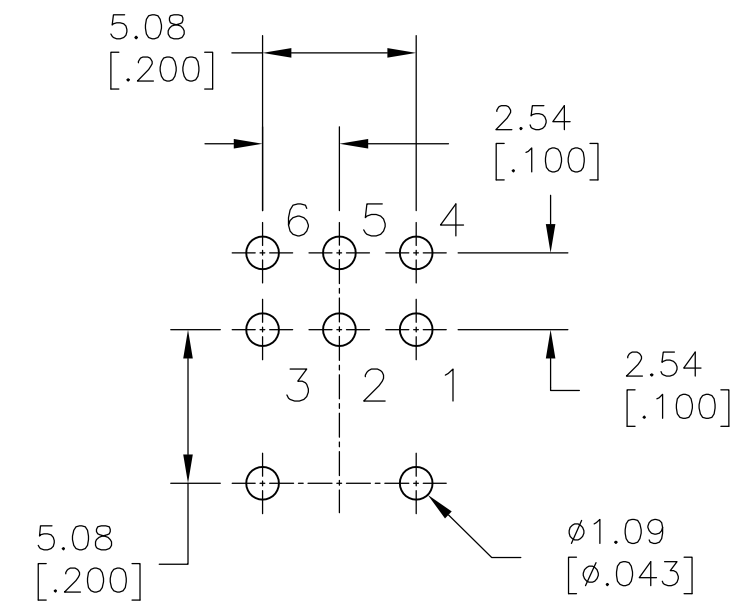
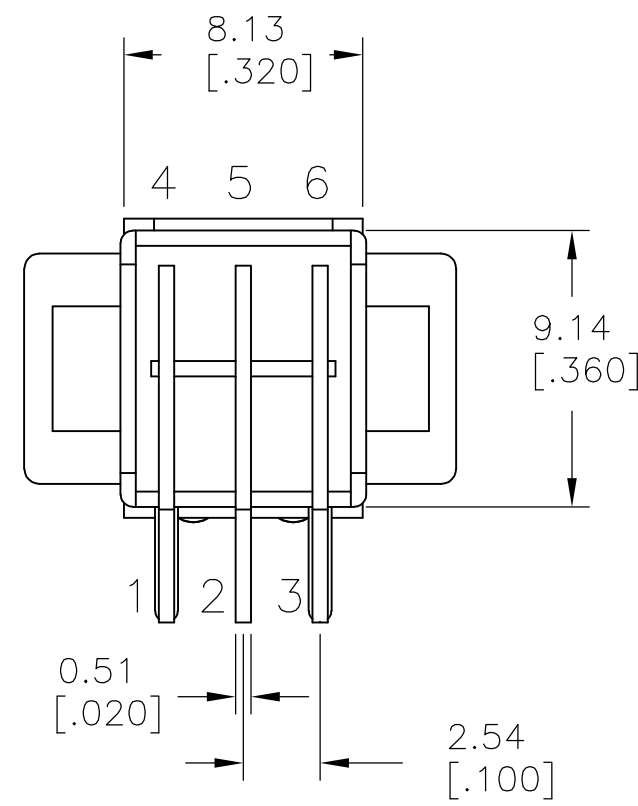
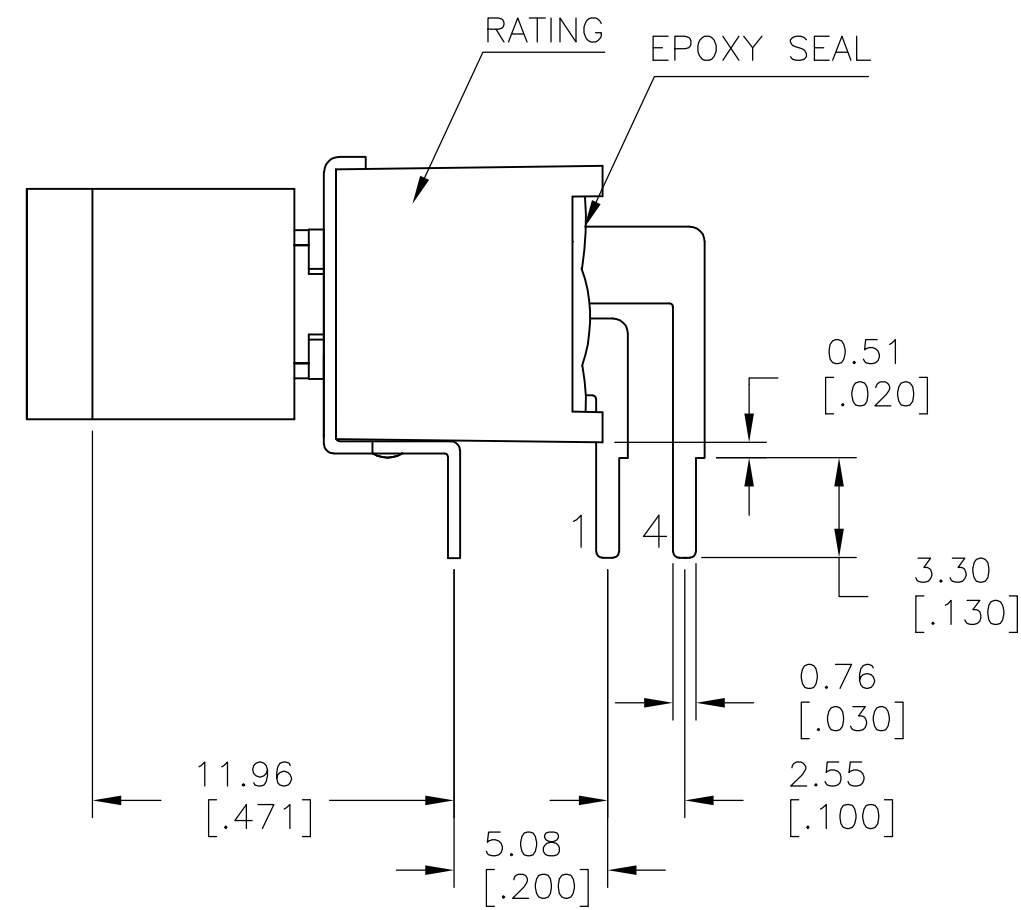
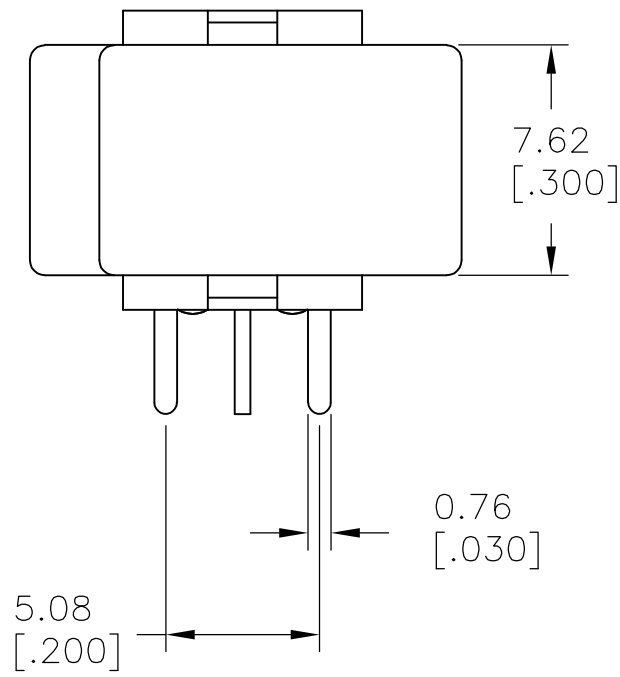
THIS DRAWING IS UNPUBLISHED. RELEASED FOR PUBLICATION
 © COPYRIGHT - By - ALL RIGHTS RESERVED.

LOC		DIST		REVISIONS			
P	LTR	DESCRIPTION	DATE	DWN	APVD		
-	-	SEE SHEET 1	-	-	-		



SPDT M6
 RIGHT ANGLE

P.C. MOUNTING



DPDT M6
 RIGHT ANGLE

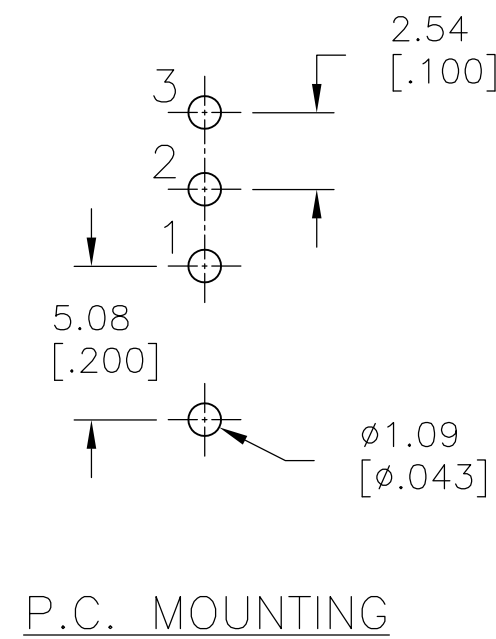
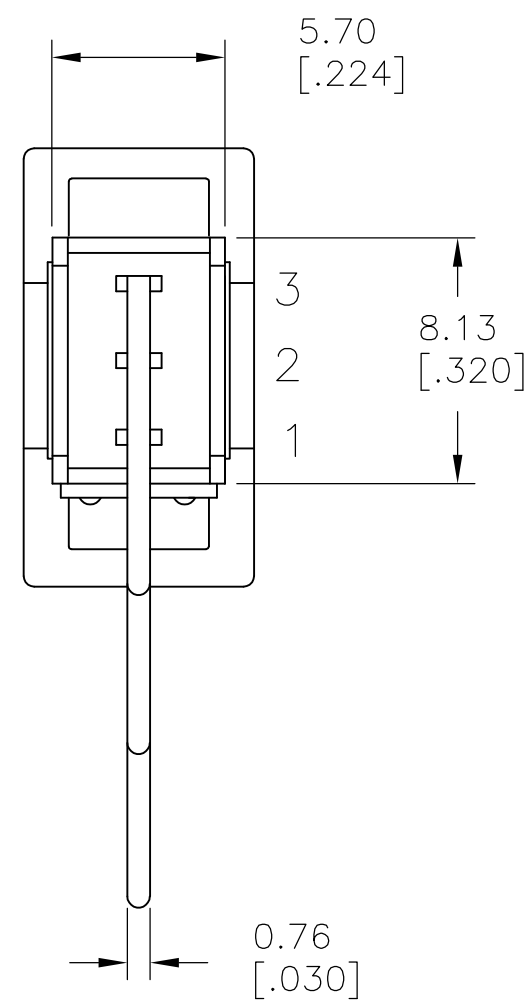
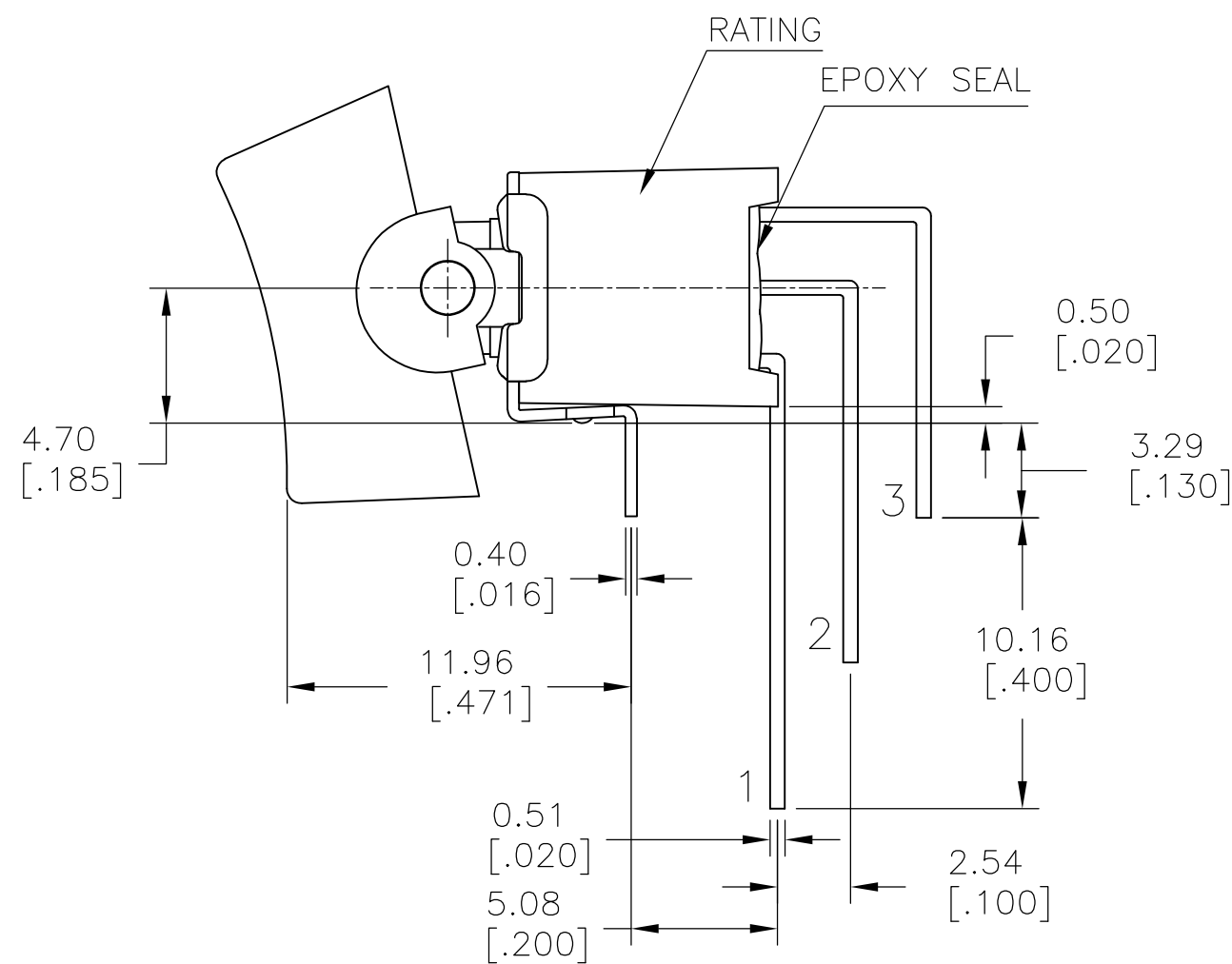
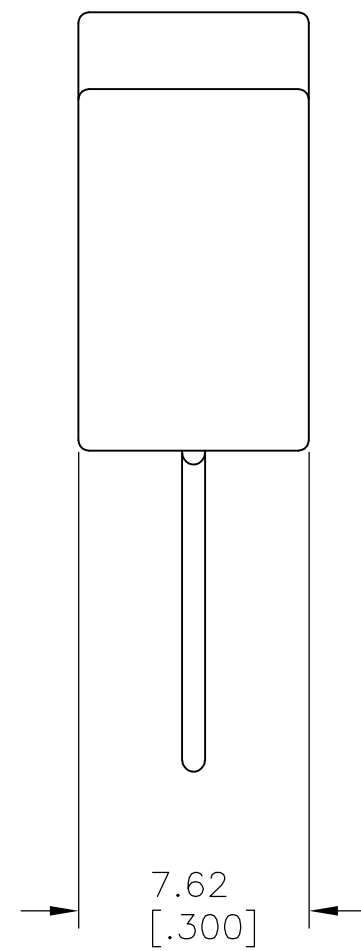
P.C. MOUNTING

LAYOUT FOR PN 2267088-3 & 4

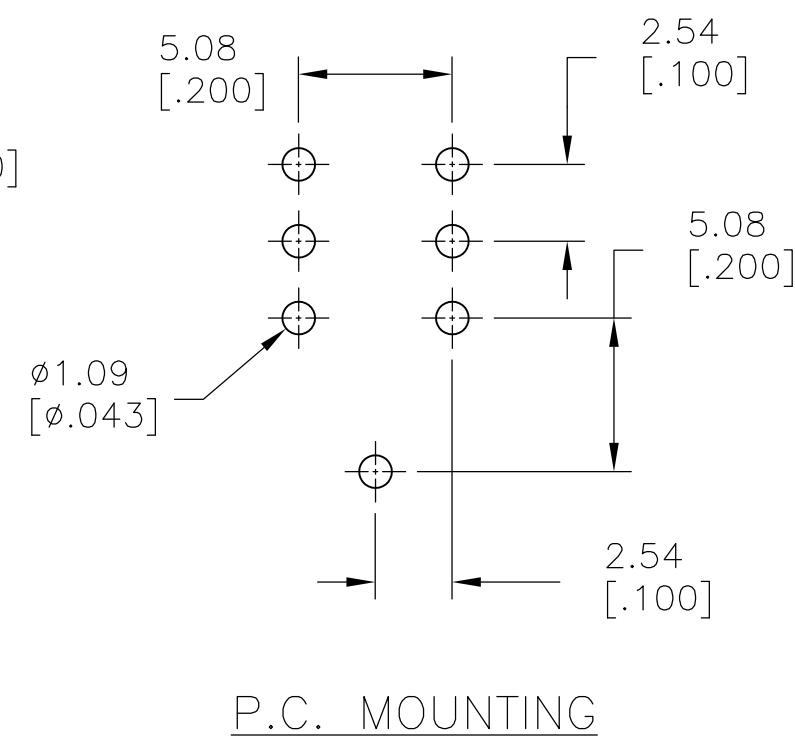
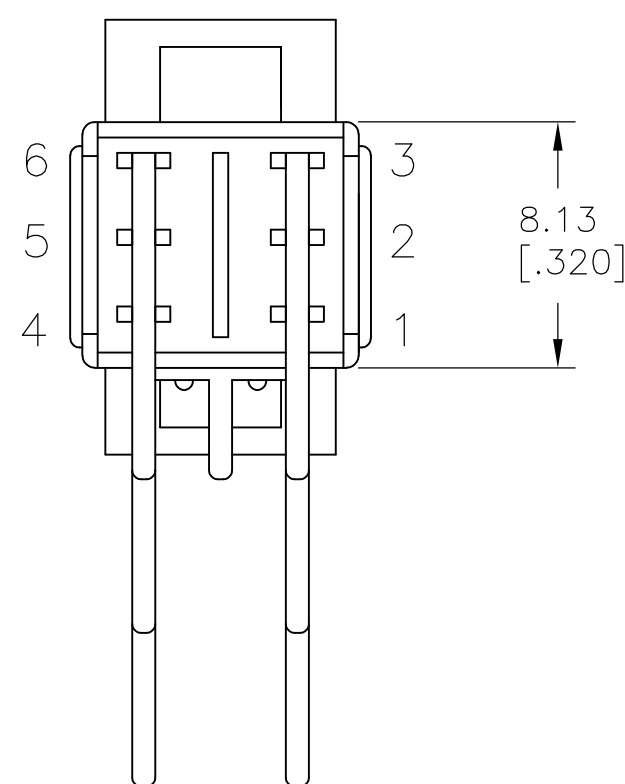
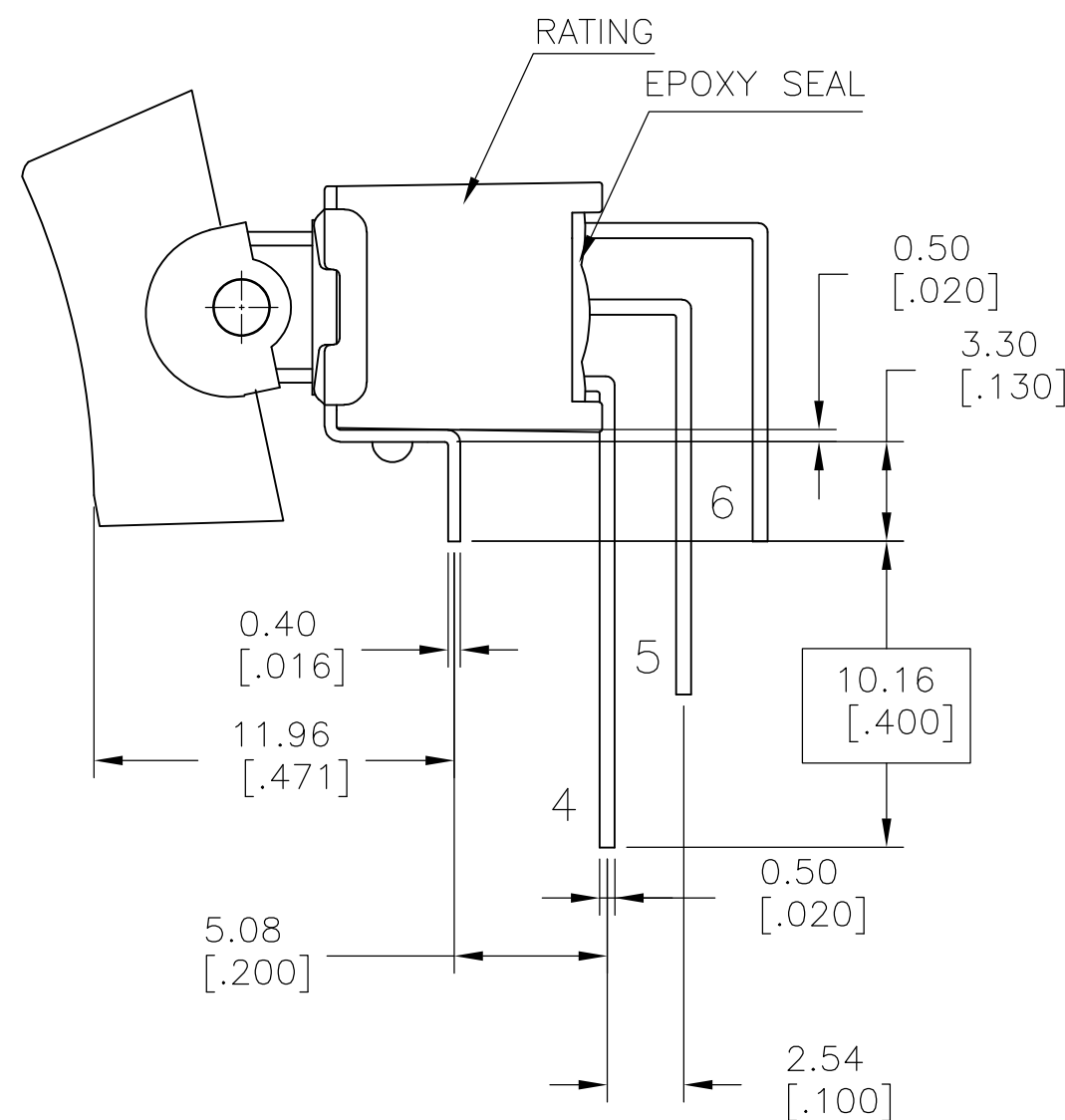
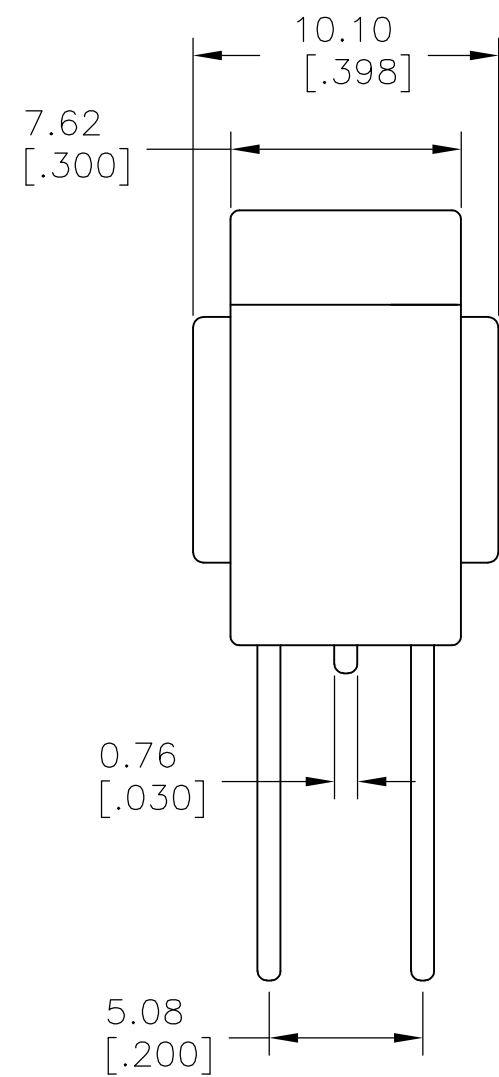
THIS DRAWING IS A CONTROLLED DOCUMENT.		DWN NAGALAKSHMI K 10JUL2014		
DIMENSIONS: mm [INCHES]		CHK HILL, RYAN 10JUL2014		
TOLERANCES UNLESS OTHERWISE SPECIFIED:		APVD HILL, RYAN 10JUL2014	NAME SUBMINIATURE ROCKER SWITCHES	
0 PLC ± - 1 PLC ± 0.38[.015] 2 PLC ± 0.25[.010] 3 PLC ± - 4 PLC ± - ANGLES ± 5°		PRODUCT SPEC	SIZE A2	
MATERIAL		APPLICATION SPEC	CAGE CODE 00779	DRAWING NO C=2267088
FINISH		WEIGHT	RESTRICTED TO	
		CUSTOMER DRAWING	SCALE 3:1	SHEET 3 OF 5
			REV A	

THIS DRAWING IS UNPUBLISHED. RELEASED FOR PUBLICATION
 © COPYRIGHT - By - ALL RIGHTS RESERVED.

LOC		DIST		REVISIONS			
P	LTR	DESCRIPTION		DATE	DWN	APVD	
-	-	SEE SHEET 1		-	-	-	



SPDT M7
 VERTICAL
 RIGHT ANGLE



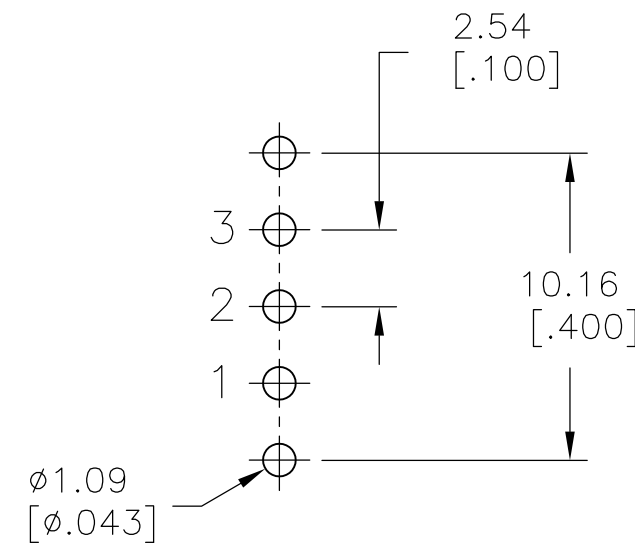
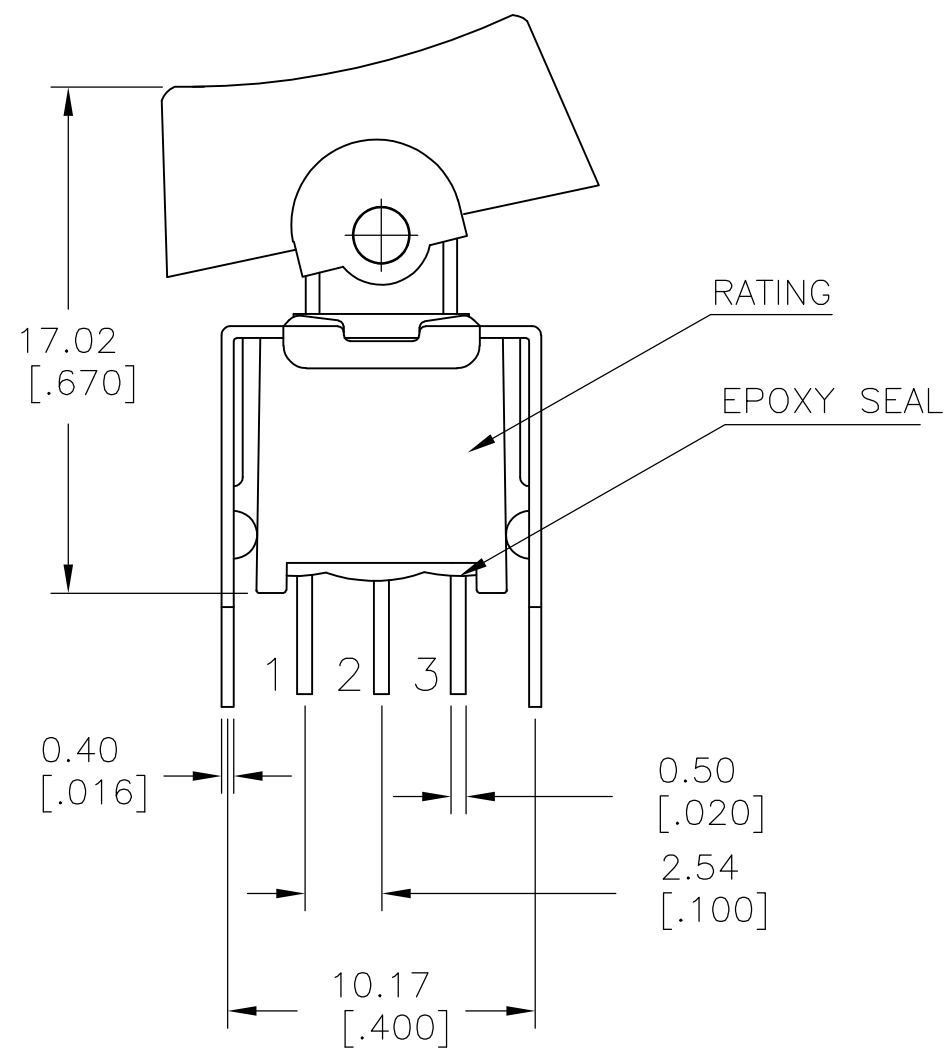
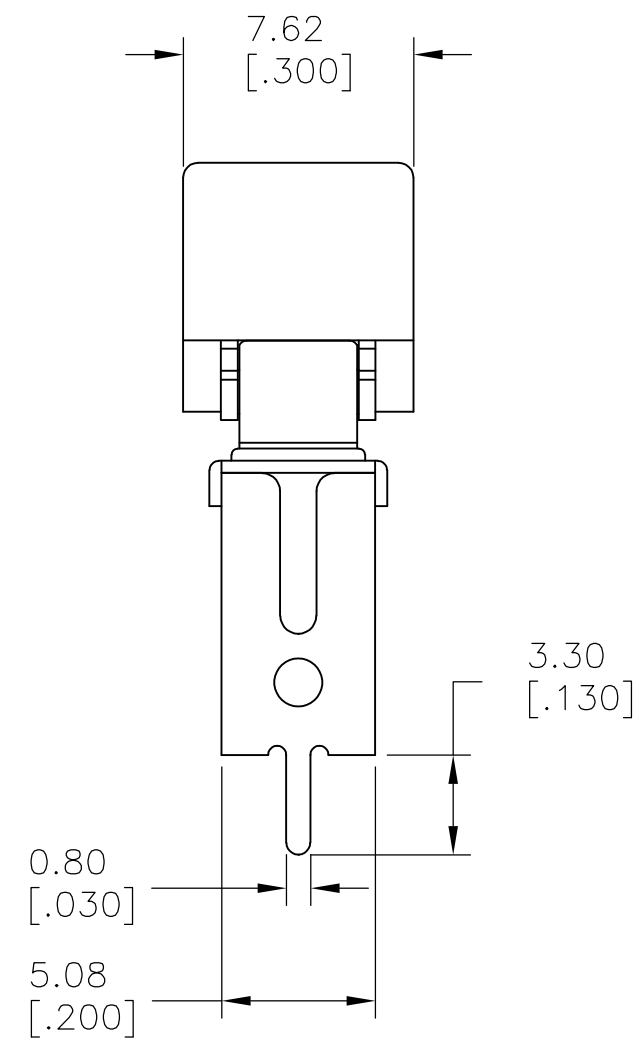
DPDT M7
 VERTICAL
 RIGHT ANGLE

LAYOUT FOR PN 2267088-5 & 6

THIS DRAWING IS A CONTROLLED DOCUMENT.		DWN NAGALAKSHMI K 10JUL2014	TE Connectivity	
DIMENSIONS: mm [INCHES]		CHK HILL, RYAN 10JUL2014		
TOLERANCES UNLESS OTHERWISE SPECIFIED:		APVD HILL, RYAN 10JUL2014	NAME SUBMINIATURE ROCKER SWITCHES	
0 PLC ± - 1 PLC ± 0.38[.015] 2 PLC ± 0.25[.010] 3 PLC ± - 4 PLC ± - ANGLES ± 5°		PRODUCT SPEC	SIZE A2	
MATERIAL		APPLICATION SPEC	CAGE CODE 00779	DRAWING NO C=2267088
FINISH		WEIGHT	RESTRICTED TO	
		CUSTOMER DRAWING	SCALE 3:1	SHEET 4 OF 5
			REV A	

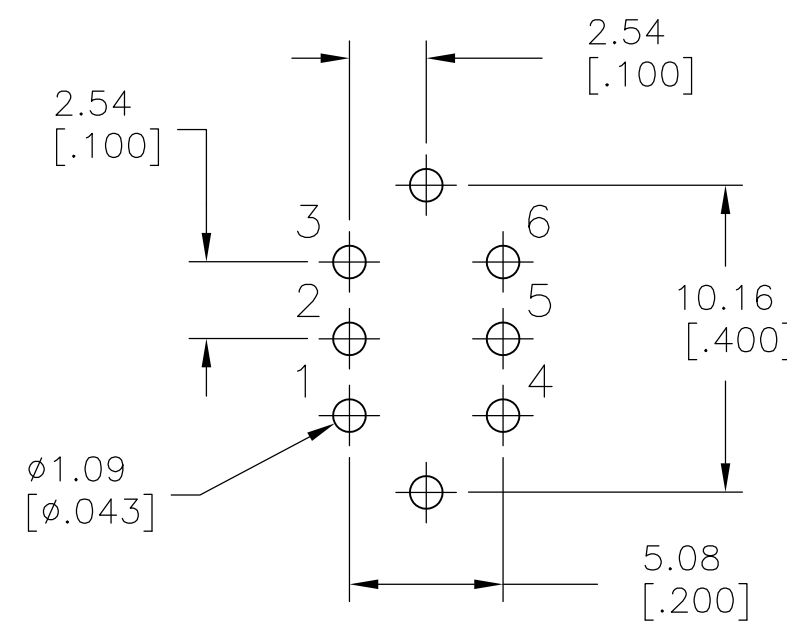
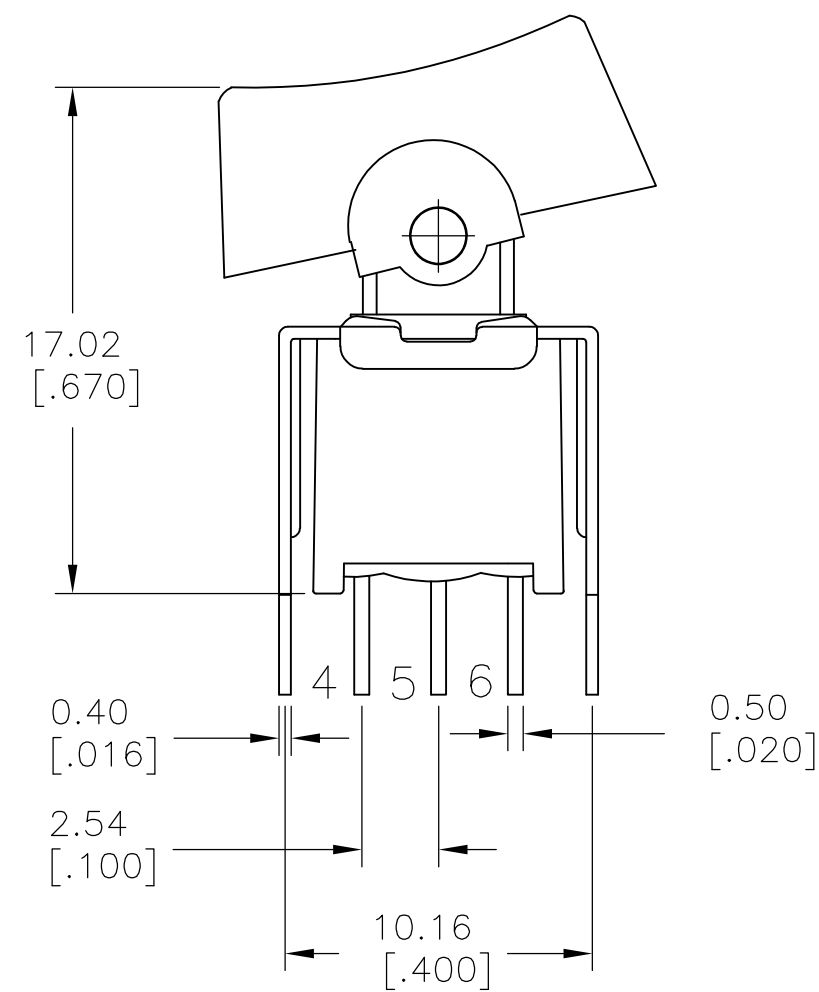
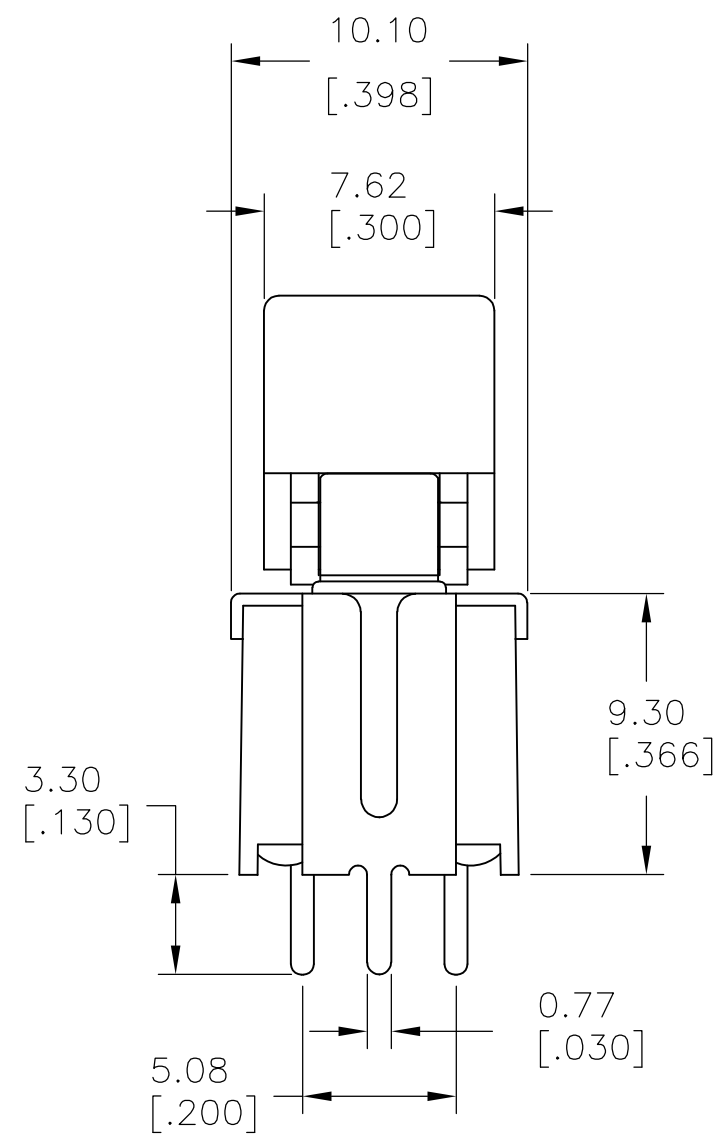
THIS DRAWING IS UNPUBLISHED. RELEASED FOR PUBLICATION
 © COPYRIGHT - By - ALL RIGHTS RESERVED.

LOC		DIST		REVISIONS			
P	LTR	DESCRIPTION	DATE	DWN	APVD		
-	-	SEE SHEET 1	-	-	-		



SPDT VS2
 VERTICAL V-BRACKET

P.C. MOUNTING



DPDT VS2
 VERTICAL V-BRACKET

P.C. MOUNTING

LAYOUT FOR PN 2267088-7 & 8

THIS DRAWING IS A CONTROLLED DOCUMENT.		DWN NAGALAKSHMI K 10JUL2014																				
DIMENSIONS: mm [INCHES]		CHK HILL, RYAN 10JUL2014																				
TOLERANCES UNLESS OTHERWISE SPECIFIED:		APVD HILL, RYAN 10JUL2014	NAME SUBMINIATURE ROCKER SWITCHES																			
<table border="1"> <tr><td>0 PLC</td><td>±</td><td>-</td></tr> <tr><td>1 PLC</td><td>±</td><td>0.38[.015]</td></tr> <tr><td>2 PLC</td><td>±</td><td>0.25[.010]</td></tr> <tr><td>3 PLC</td><td>±</td><td>-</td></tr> <tr><td>4 PLC</td><td>±</td><td>-</td></tr> <tr><td>ANGLES</td><td>±</td><td>5°</td></tr> </table>		0 PLC	±	-	1 PLC	±	0.38[.015]	2 PLC	±	0.25[.010]	3 PLC	±	-	4 PLC	±	-	ANGLES	±	5°	PRODUCT SPEC -	SIZE A2	
0 PLC	±	-																				
1 PLC	±	0.38[.015]																				
2 PLC	±	0.25[.010]																				
3 PLC	±	-																				
4 PLC	±	-																				
ANGLES	±	5°																				
MATERIAL -		APPLICATION SPEC -	CAGE CODE 00779	DRAWING NO C=2267088																		
FINISH -		WEIGHT -	SCALE 3:1	SHEET 5 of 5																		
CUSTOMER DRAWING			RESTRICTED TO -	REV A																		

X-ON Electronics

Largest Supplier of Electrical and Electronic Components

Click to view similar products for [Toggle Switches](#) category:

Click to view products by [TE Connectivity](#) manufacturer:

Other Similar products are found below :

[8A1-C-222](#) [60012L](#) [6006L](#) [6663](#) [7101MD9V30GE](#) [7101SPDV30BE](#) [7103SDV30BE](#) [7105D](#) [7108P3YAV2BE](#) [71YY50282](#)
[7201MD9AVBE](#) [7301K38](#) [7306K36](#) [7310K36](#) [7314K36](#) [7506K4](#) [7592K6](#) [7691K14](#) [7700K1](#) [8396K108](#) [8824K14](#) [8828K13](#) [G2VX](#) [G3VX](#)
[PS83-121G](#) [A101MD9AB04](#) [A101SD9AB04](#) [A101SDCQ04](#) [A103SD9AQ04](#) [A107TZB04](#) [A123P32YZQ](#) [A123S1YZG](#) [A127S1YCQ](#) [1-](#)
[1825192-0](#) [A131S1YZQ](#) [A201SCWZB04](#) [A207SYCB04](#) [A208J61ZQ0004](#) [A221K12KAG](#) [A221S1YZQ](#) [A221T1TCQ](#) [A232K12KZQ](#)
[A232M1YCQ](#) [A323S1CWZQ](#) [A423S1CWZG-M8](#) [A423S1YZQ](#) [12149A-3V](#) [12156AX408](#) [12147AGKX679](#) [12149AD2G0383VX408](#)