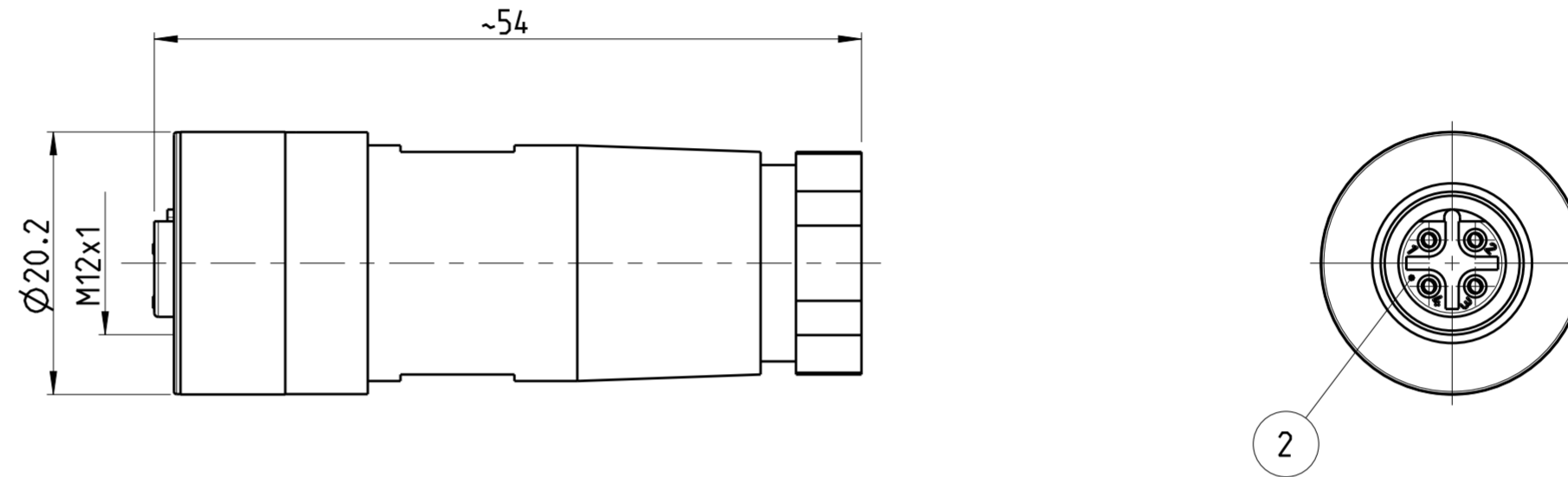


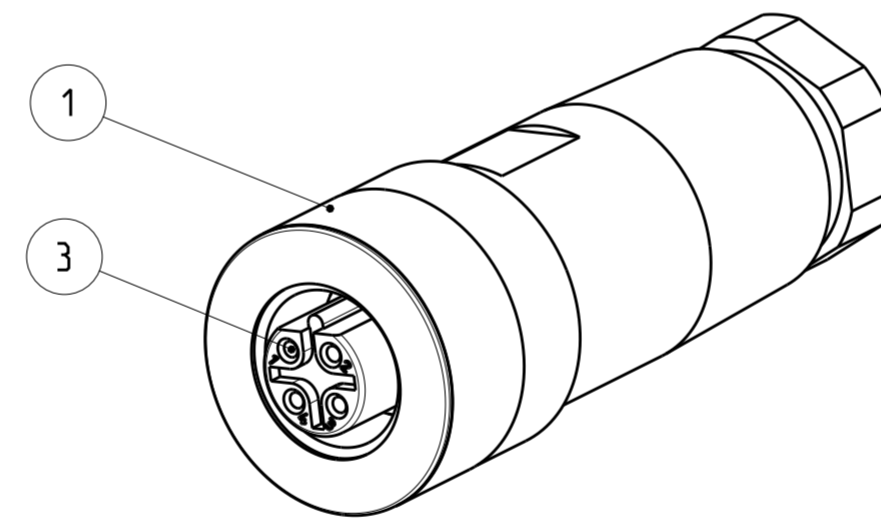
PROJEKT NR.: PRJ-14-00000805		REVISIONS ÄNDERUNGEN		
P	LTR	DESCRIPTION BESCHREIBUNG	DATE	DWN APVD
	A2	DESCRIPTION CORRECTED FROM SOLDER TO SCREW TERMINAL IN TITLE BLOCK	13NOV2014	CR JK

1 MATERIAL: ITEM NO. 1: HOUSING - ZINC DIE CASTING, NICKEL PLATED  
 ITEM NO. 2: CONTACT BODY - PA66  
 ITEM NO. 3: CONTACT - CuSn  
 CONTACT FINISH - Au

- 2 ALL DIMENSIONS ARE FOR NOMINAL REFERENCE ONLY UNLESS OTHERWISE STATED
- 3 MEASUREMENT REFERENCE ONLY
- 4 PACKAGING: 1 PIECE IN A BAG



TECHNICAL DATA	3-2271118-1	3-2271118-2	4-2271118-1	4-2271118-2
RATED VOLTAGE	250V	250V	125V	125V
RATED IMPULSE VOLTAGE	2500V	2500V	1500V	1500V
POLLUTION DEGREE	3	3	3	3
OVERVOLTAGE CATEGORY	II	II	II	II
MATERIAL GROUP	II	II	II	II
RATED CURRENT	4A	4A	4A	4A
VOLUME RESISTIVITY	≤ 3mΩ	≤ 3mΩ	≤ 3mΩ	≤ 3mΩ
DEGREE OF PROTECTION	IP68	IP68	IP68	IP68
UPPER TEMPERATURE	+85 °C	+85 °C	+85 °C	+85 °C
LOWER TEMPERATURE	-40 °C	-40 °C	-40 °C	-40 °C



3-2 AS SHOWN  
WIE GEZEICHNET

PIN ARRANGEMENT  
B-CODING

3-2271118-1	3-2271118-2	4-2271118-1	4-2271118-2

6-8	24 / 0.25mm <sup>2</sup>	⚠	5	4-2271118-2
4-6	24 / 0.25mm <sup>2</sup>	⚠	5	4-2271118-1
6-8	24 / 0.25mm <sup>2</sup>	⚠	4	3-2271118-2
4-6	24 / 0.25mm <sup>2</sup>	⚠	4	3-2271118-1
CABLE FEED-THROUGH mm	WIRES AWG / mm <sup>2</sup>	MATERIAL	NUMBER OF POLES	TE-PART-NO.

DIESE ZEICHNUNG IST EIN KONTROLLIERTES DOKUMENT.  
BEMASSUNGEN UND TOLERANZEN GEMAESS GPS (ISO STANDARDS).

THIS DRAWING IS A CONTROLLED DOCUMENT.  
DIMENSIONING AND TOLERANCING PER GPS (ISO STANDARDS).

DIMENSIONS: MASSEINHEITEN: [mm]	TOLERANCES UNLESS OTHERWISE SPECIFIED: ALLGEMEINTOLERANZEN:	DWN YASHKUMAR 14MAY2014 CHK M.STRELOW 14MAY2014 APVD C.SCHREITLINGER 14MAY2014	NAME M12 RECEPTACLE, STRAIGHT, FIELD INSTALLABLE, UNSHIELDED CONNECTOR, SCREW TERMINALS, B-CODING
MATERIAL	ANGLES/WINKEL ± FINISH/OBERFLAECHE/FARBE	PRODUCT SPEC 108-19483 APPLICATION SPEC 114-32127	SIZE A2 CAGE CODE 00779 DRAWING NO. C-2271118 RESTRICTED TO NUR FUER -
		WEIGHT GEWICHT	SCALE MASSSTAB 2:1 SHEET BLATT 1 OF 1 REV A2

Customer Drawing /KUNDENZEICHNUNG

SIZE ISO 14405 (E)

## X-ON Electronics

Largest Supplier of Electrical and Electronic Components

*Click to view similar products for [Circular Metric Connectors](#) category:*

*Click to view products by [TE Connectivity](#) manufacturer:*

Other Similar products are found below :

[1424048](#) [1021212](#) [600X518037X](#) [6STD09SAM99B70X](#) [6STD15PCR99B70A](#) [8R4000A16M020](#) [1200910002](#) [1201150041](#) [1203580030](#)  
[1200700064](#) [1200700263](#) [1200700416](#) [1200730102](#) [1200770002](#) [1-2823588-2](#) [130203-0054](#) [1300140026](#) [1300150099](#) [1-3637-600-5205](#)  
[1545399](#) [1594331](#) [1600413](#) [1612606](#) [1612618](#) [1614660](#) [1A4000-348](#) [CA06EW24-10P-B-03](#) [21036836414](#) [2823064-1](#) [1610759](#) [A1642LK-](#)  
[II-T](#) [1R3006A20M005](#) [41-01016](#) [41-40011](#) [41-40017](#) [42-00006](#) [42-01015](#) [4-22279-4](#) [4-22281-1](#) [4-22284-9](#) [43-00002](#) [43-00113](#) [43-00130](#)  
[43-01028](#) [43-01034](#) [43-01088](#) [43-01090](#) [43-01203](#) [43-01209](#) [43-01335](#)