

THIS DRAWING IS UNPUBLISHED. VERBODEN DE UNVEROFFENTLICHE ZEICHNUNG RELEASED FOR PUBLICATION FREI FÜR VERÖFFENTLICHUNG 2014 DATED WITHIN PASSEND ZU
 © COPYRIGHT 2014 Tyco Electronics AMP GmbH ALL RIGHTS RESERVED. ALLE RECHTE VORBEHALTEN.

PROJECT NO.: PRJ-14-00000805

REVISIONS		DATE	DWN	APVD
NO.	DESCRIPTION			
A2	DESCRIPTION CORRECTED FROM SOLDER TO SCREW TERMINAL IN TITLE BLOCK	13NOV2014	CR	JK

1 MATERIAL: ITEM NO. 1: HOUSING - PBT
 ITEM NO. 2: CONTACT BODY - PA
 ITEM NO. 3: CONTACT - CuZn

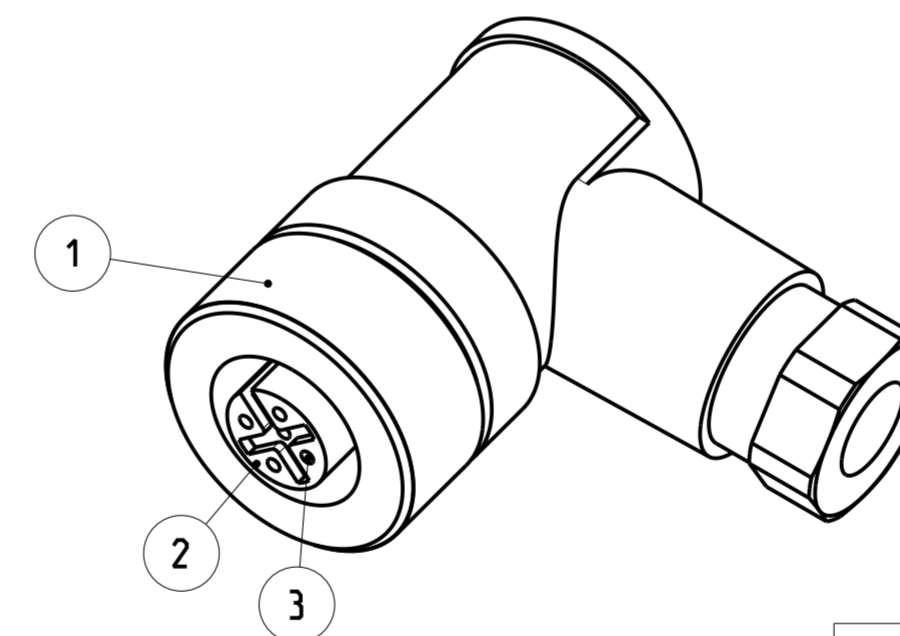
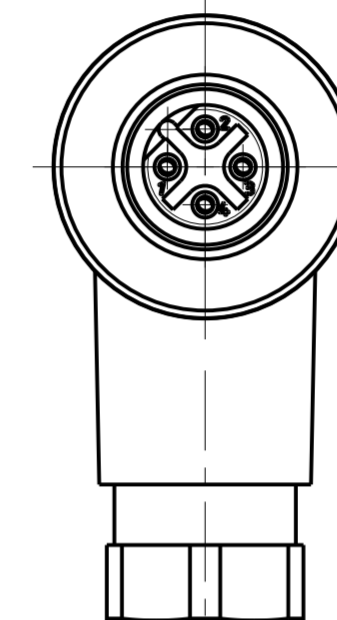
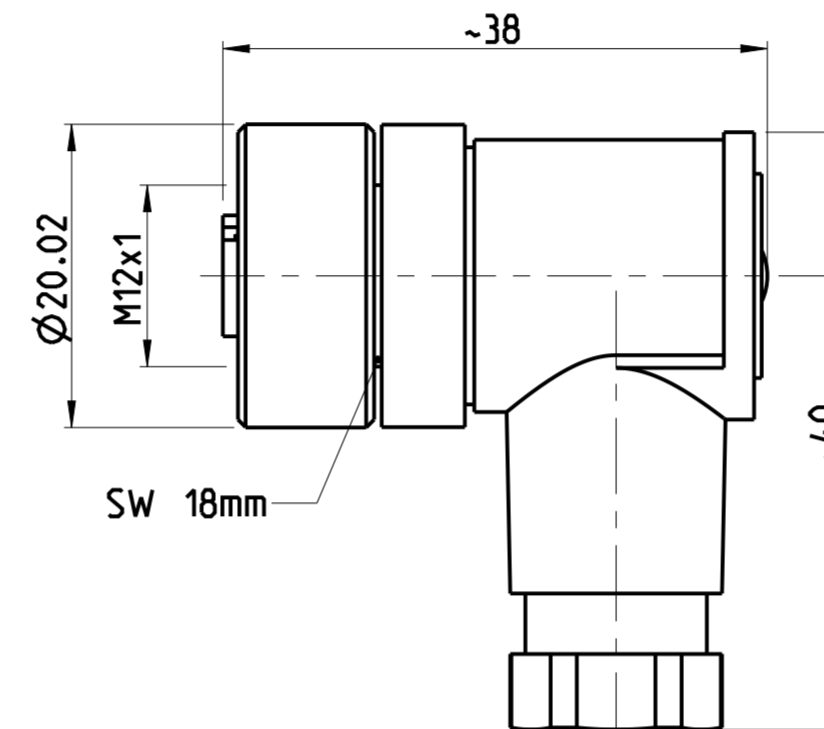
2 CONTACT FINISH - CuSnZn

3 CONTACT FINISH - Au

4 ALL DIMENSIONS ARE FOR NOMINAL REFERENCE ONLY UNLESS OTHERWISE STATED

5 MEASUREMENT REFERENCE ONLY

6 PACKAGING: 1 PIECE IN A BAG



TECHNICAL DATA	3-2271130-1	3-2271130-2	4-2271130-1	4-2271130-2
RATED VOLTAGE	250V	250V	125V	30V
RATED IMPULSE VOLTAGE	2500V	2500V	1500V	500V
POLLUTION DEGREE	3	3	3	3
OVERVOLTAGE CATEGORY	II	II	II	II
MATERIAL GROUP	II	III	III	III
RATED CURRENT	4A	4A	4A	2A
VOLUME RESISTIVITY	≤ 3mΩ	≤ 3mΩ	≤ 3mΩ	≤ 3mΩ
DEGREE OF PROTECTION	IP67	IP67	IP67	IP67
UPPER TEMPERATURE	+85 °C	+85 °C	+85 °C	+85 °C
LOWER TEMPERATURE	-40 °C	-40 °C	-40 °C	-40 °C

PIN ARRANGEMENT B-CODING (SCALE 2:1)

3-2271130-1	3-2271130-2	4-2271130-1	4-2271130-2

3-1 AS SHOWN WIE GEZEICHNET

CABLE FEED-THROUGH mm	WIRES AWG / mm²	MATERIAL	NUMBER OF POLES	TE-PART-NO.
6-8	24 / 0.25mm²	1 3	5	4-2271130-2
4-6	18 / 0.75mm²	1 2	5	4-2271130-1
6-8	18 / 0.75mm²	1 2	4	3-2271130-2
4-6	18 / 0.75mm²	1 2	4	3-2271130-1

DIESE ZEICHNUNG IST EIN KONTROLLIERTES DOKUMENT. BEMASSUNGEN UND TOLERANZEN GEMAESS GPS (ISO STANDARDS).
 THIS DRAWING IS A CONTROLLED DOCUMENT. DIMENSIONING AND TOLERANCING PER GPS (ISO STANDARDS).

DIMENSIONS: MASSE/MASSSTAB: IT/IT	TOLERANCES UNLESS OTHERWISE SPECIFIED: ALLGEMEINTOLERANZEN	DWN YASHKUMAR 21MAY2014	TE Connectivity
MATERIAL	ANGLES/WINKEL FINISH/OBERFLAECHE/FARBE	CHK M.STRELOW 21MAY2014	
		APVD C.SCHREITLINGER 21MAY2014	
		NAME	

PRODUCT SPEC: 108-19483
 APPLICATION SPEC: 114-32127
 SCALE: 2:1
 SHEET: 1 OF 1
 REV: A2

SIZE ISO 14405 (E)

X-ON Electronics

Largest Supplier of Electrical and Electronic Components

Click to view similar products for [Circular Metric Connectors](#) category:

Click to view products by [TE Connectivity](#) manufacturer:

Other Similar products are found below :

[1424048](#) [1021212](#) [600X518037X](#) [6STD09SAM99B70X](#) [6STD15PCR99B70A](#) [8R4000A16M020](#) [1200910002](#) [1201150041](#) [1203580030](#)
[1200700064](#) [1200700263](#) [1200700416](#) [1200730102](#) [1200770002](#) [1-2823588-2](#) [130203-0054](#) [1300140026](#) [1300150099](#) [1-3637-600-5205](#)
[1545399](#) [1594331](#) [1600413](#) [1612606](#) [1612618](#) [1614660](#) [1A4000-348](#) [CA06EW24-10P-B-03](#) [21036836414](#) [2823064-1](#) [1610759](#) [A1642LK-](#)
[II-T](#) [1R3006A20M005](#) [41-01016](#) [41-40011](#) [41-40017](#) [42-00006](#) [42-01015](#) [4-22279-4](#) [4-22281-1](#) [4-22284-9](#) [43-00002](#) [43-00113](#) [43-00130](#)
[43-01028](#) [43-01034](#) [43-01088](#) [43-01090](#) [43-01203](#) [43-01209](#) [43-01335](#)