

REVISIONS

P	LTR	DESCRIPTION	DATE	DWN	APVD
	A	REVISED PER ECR-14-007794	29MAY2014	RS	EC
	B	ECO-15-015144: ADD UL.	02DEC2015	EC	EC

SAFETY ORGANIZATIONS

THIS FILTER HAS BEEN FORMALLY RECOGNIZED, CERTIFIED OR APPROVED BY THE LISTED AGENCY. THEREFORE, ALL TEST/REQUIREMENTS SPECIFIED IN THE LATEST REVISION OF THE FOLLOWING AGENCY STANDARDS HAVE BEEN MET:

UL

OPERATING SPECIFICATIONS

LINE CURRENT/VOLTAGE: 1000 A, 520 VAC
 LINE FREQUENCY: 50-60 Hz
 NOMINAL LEAKAGE CURRENT: 15 mA
 MAXIMUM LEAKAGE CURRENT: 270mA @ 277V, 50HZ
 OPERATING AMBIENT TEMPERATURE RANGE @ RATED CURRENT, I : -10°C TO +50°C
 IN AN AMBIENT, T, HIGHER THAN 50°C, THE MAXIMUM OPERATING CURRENT, I, IS AS FOLLOWS:

$$I_o = I_r \sqrt{\frac{100 - T_o}{50}}$$

RELIABILITY SPECIFICATIONS

STORAGE TEMPERATURE: -40°C TO +85°C
 HUMIDITY: 21 DAYS @ 40°C 95% RH.

TEST SPECIFICATIONS

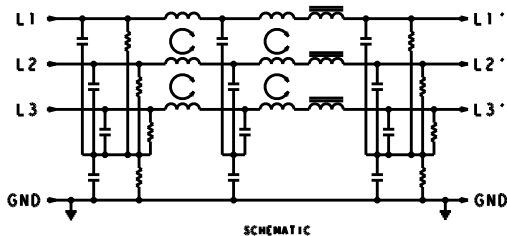
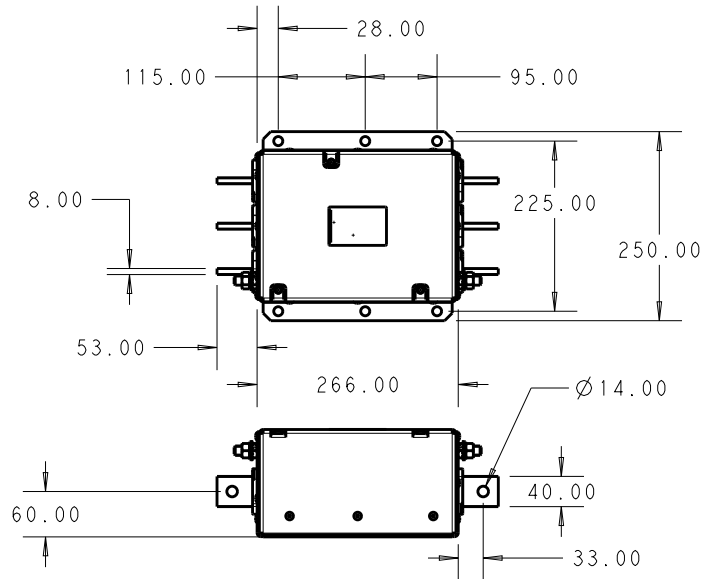
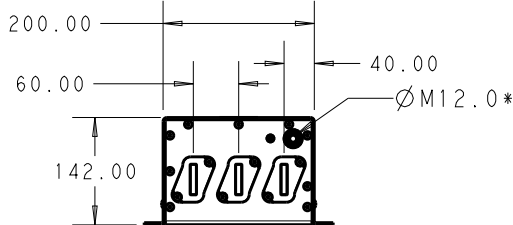
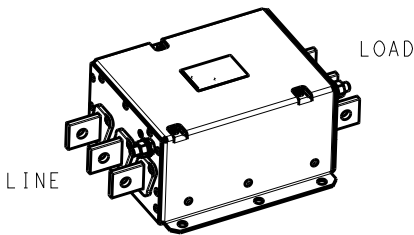
INDUCTANCE, NOMINAL: 36.4 μH
 CAPACITANCE AT 1KHz, 0.25 VAC MAX., 25°C±1°C
 LINE TO GROUND, NOMINAL: 3.1 μF
 LINE TO LINE, NOMINAL: 7.0 μF
 DISCHARGE RESISTOR L/G AND L/L I.R. 1000 kOhm / 1000 kOhm
 IR (NO DISCHARGE RESISTOR) 20°C, 50% RH AND 100VDC, MIN: 6000 MΩ

RECOMMENDED RECEIVING INSPECTION HIPOT

LINE TO GROUND FOR 1 MINUTE: 2200 VDC
 LINE TO LINE FOR 1 MINUTE: 2160 VDC

FILTER APPROVAL:

THE BEST WAY TO SELECT AND QUALIFY A FILTER IS FOR YOUR ENGINEERING TO TEST THE UNIT IN YOUR EQUIPMENT.



* DO NOT LOOSEN INNER GROUND NUTS. TORQUE OUTER GROUND NUTS TO: 25-30 NM [220-260 IN-LB]
 TYPICAL INSERTION LOSS
 COMMON MODE 50/50Ω; DIFFERENTIAL MODE 100/100Ω

MHz	0.01	0.05	0.15	0.5	1.0	3.0	5.0	10	30
CM	13	30	60	90	82	80	60	40	19
DM	27	41	55	52	44	33	30	24	16

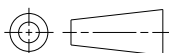
20 RELEASED FOR PUBLICATION ALL RIGHTS RESERVED. BY - COPYRIGHT 20 THIS DRAWING IS UNPUBLISHED.

DIMENSIONS:

mm

TOLERANCES UNLESS OTHERWISE SPECIFIED:

0 PLC	±2
1 PLC	±1.0
2 PLC	±0.50
3 PLC	±0.200
4 PLC	±0.1000
ANGLES	±



DWN 19DEC2013

RS

CHK 19DEC2013

EC

APVD 19DEC2013

EC

PRODUCT SPEC

-

APPLICATION SPEC

-

WEIGHT

-

Customer Drawing

MATERIAL

-

FINISH

-



TE Connectivity

NAME

1000APS12L
 3-PHASE DELTA FILTER

SIZE

A4

CAGE CODE

-

DRAWING NO

C-4-1609114-7

RESTRICTED TO

-

SCALE

1:6

SHEET

1 OF 1

REV

B

X-ON Electronics

Largest Supplier of Electrical and Electronic Components

Click to view similar products for [Power Line Filters](#) category:

Click to view products by [TE Connectivity](#) manufacturer:

Other Similar products are found below :

[5B1](#) [6609019-3](#) [6609026-5](#) [6609030-6](#) [6609063-2](#) [6609973-2](#) [7-1609090-5](#) [F1500CA06](#) [F7382Z](#) [F7863Z](#) [FAHAV3100ZC000](#) [806276](#)
[FN2020B-1-06](#) [FN2080B-10-06](#) [FN2090A-1-06](#) [FN2410H-32-33](#) [FN2410H-80-34](#) [FN2412H-16-44](#) [FN420-1-13](#) [FP144](#) [8-6609089-0](#) [12-](#)
[MMB-030-11-D](#) [B84144A90R120](#) [20B1](#) [RSEL-2001A](#) [2B1](#) [LP183](#) [1-6609070-1](#) [F1500CA10](#) [1B1](#) [FN2020A-10-06](#) [FN2020B-3-06](#)
[FN2060A-3-06](#) [FN2070A-16-06](#) [FN2070B-16-08](#) [FN2090B-12-06](#) [FN2090Z-1-06](#) [FN2410H-25-33](#) [FN2410H-60-34](#) [FN2410H-8-44](#)
[FN2412H-25-33](#) [FN2412H-8-44](#) [FN610R-3-06](#) [20EHZ7](#) [20K1](#) [30B6](#) [30BCF10R](#) [3K1](#) [4-6609089-0](#) [B84142A0016R122](#)