

LOC	DIST	REVISIONS			
P	LTR	DESCRIPTION	DATE	DWN	APVD
	A	REVISED PER ECR-14-007795	29MAY2014	RS	EC
	B1	ECO-15-015144: ADD UL.	03DEC2015	EC	EC

SAFETY ORGANIZATIONS

THIS FILTER HAS BEEN FORMALLY RECOGNIZED, CERTIFIED OR APPROVED BY THE LISTED AGENCY. THEREFORE, ALL TEST/REQUIREMENTS SPECIFIED IN THE LATEST REVISION OF THE FOLLOWING AGENCY STANDARDS HAVE BEEN MET:

UL

RELIABILITY SPECIFICATIONS

STORAGE TEMPERATURE: -40°C TO +85°C
 HUMIDITY: 21 DAYS @ 40°C 95% RH.

TEST SPECIFICATIONS

INDUCTANCE, NOMINAL: 50.9 µH
 CAPACITANCE AT 1KHz, 0.25 VAC MAX., 25°C±1°C
 LINE TO GROUND, NOMINAL: 3.1 µF
 LINE TO LINE, NOMINAL: 7.0 µF
 DISCHARGE RESISTOR L/G AND L/L I.R. 1000 kOhm / 1000 kOhm
 IR (NO DISCHARGE RESISTOR) 20°C, 50% RH AND 100VDC, MIN: 6000 MΩ

OPERATING SPECIFICATIONS

LINE CURRENT/VOLTAGE: 1600 A, 520 VAC
 LINE FREQUENCY: 50-60 Hz
 NOMINAL LEAKAGE CURRENT: 15 mA
 MAXIMUM LEAKAGE CURRENT: 270mA @ 277V, 50Hz

OPERATING AMBIENT TEMPERATURE RANGE @ RATED CURRENT, I : -10°C TO +50°C

IN AN AMBIENT, T, HIGHER THAN 50°C, THE MAXIMUM OPERATING CURRENT, I, IS AS FOLLOWS: :

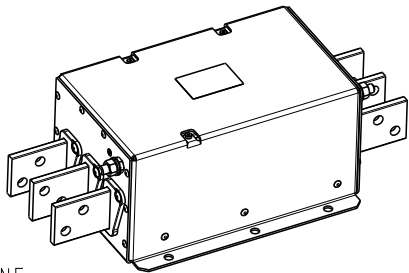
$$I_0 = I_R \sqrt{\frac{100 - T_0}{50}}$$

RECOMMENDED RECEIVING INSPECTION HIPOT

LINE TO GROUND FOR 1 MINUTE: 2200 VDC
 LINE TO LINE FOR 1 MINUTE: 2160 VDC

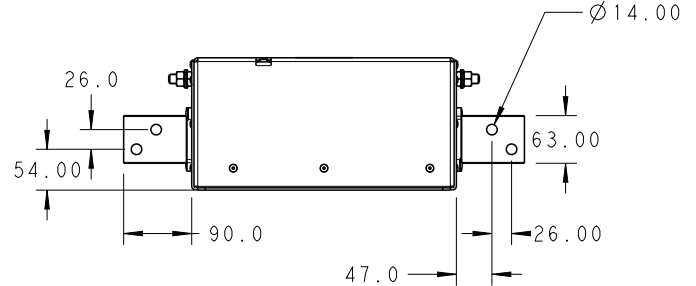
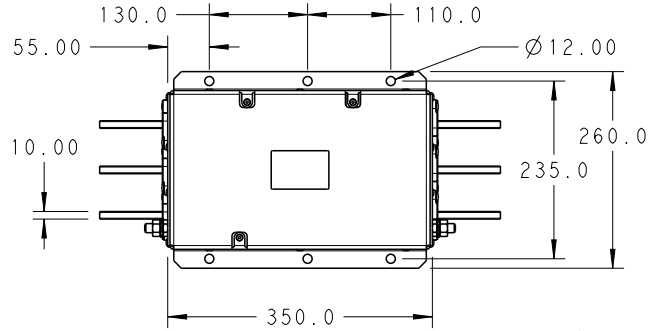
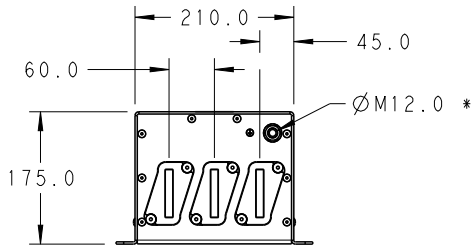
FILTER APPROVAL:

THE BEST WAY TO SELECT AND QUALIFY A FILTER IS FOR YOUR ENGINEERING TO TEST THE UNIT IN YOUR EQUIPMENT.



LOAD

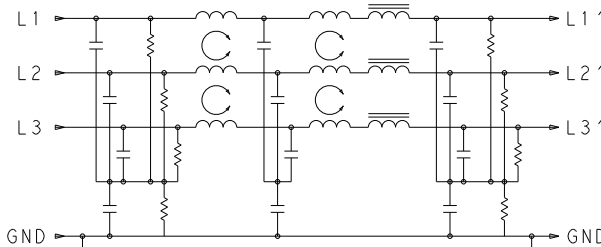
LINE



* DO NOT LOOSEN INNER GROUND NUTS. TORQUE OUTER GROUND NUTS TO: 25-30 NM [220-260 IN-LB]

TYPICAL INSERTION LOSS
 COMMON MODE 50/50Ω; DIFFERENTIAL MODE 100/100Ω

MHz	0.01	0.05	0.15	0.5	1.0	3.0	5.0	10	30
CM	13	30	60	90	82	80	64	40	19
DM	27	41	55	55	46	35	31	25	16



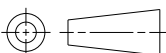
SCHEMATIC

DIMENSIONS:

mm

TOLERANCES UNLESS OTHERWISE SPECIFIED:

0 PLC	±2.0
1 PLC	±1.0
2 PLC	±0.50
3 PLC	±0.200
4 PLC	±0.1000
ANGLES	±



DWN RS 19DEC2013

CHK EC 19DEC2013

APVD EC 19DEC2013

PRODUCT SPEC

-

APPLICATION SPEC

-

WEIGHT -

MATERIAL

FINISH



TE Connectivity

NAME

1600APS12L
 3-PHASE DELTA FILTER

SIZE

CAGE CODE

DRAWING NO

RESTRICTED TO

A 4

00779

C= 4-1609114-8

-

Customer Drawing

SCALE 1:1

SHEET 1 OF 1

REV B1

20

RELEASED FOR PUBLICATION

ALL RIGHTS RESERVED.

BY -

© COPYRIGHT 20

X-ON Electronics

Largest Supplier of Electrical and Electronic Components

Click to view similar products for [Power Line Filters](#) category:

Click to view products by [TE Connectivity](#) manufacturer:

Other Similar products are found below :

[5B1](#) [6609019-3](#) [6609026-5](#) [6609030-6](#) [6609063-2](#) [6609973-2](#) [7-1609090-5](#) [F1500CA06](#) [F7382Z](#) [F7863Z](#) [FAHAV3100ZC000](#) [806276](#)
[FN2020B-1-06](#) [FN2080B-10-06](#) [FN2090A-1-06](#) [FN2410H-32-33](#) [FN2410H-80-34](#) [FN2412H-16-44](#) [FN420-1-13](#) [FP144](#) [8-6609089-0](#) [12-](#)
[MMB-030-11-D](#) [B84144A90R120](#) [20B1](#) [RSEL-2001A](#) [2B1](#) [LP183](#) [1-6609070-1](#) [F1500CA10](#) [1B1](#) [FN2020A-10-06](#) [FN2020B-3-06](#)
[FN2060A-3-06](#) [FN2070A-16-06](#) [FN2070B-16-08](#) [FN2090B-12-06](#) [FN2090Z-1-06](#) [FN2410H-25-33](#) [FN2410H-60-34](#) [FN2410H-8-44](#)
[FN2412H-25-33](#) [FN2412H-8-44](#) [FN610R-3-06](#) [20EHZ7](#) [20K1](#) [30B6](#) [30BCF10R](#) [3K1](#) [4-6609089-0](#) [B84142A0016R122](#)