

LOC	DIST	REVISIONS					
		P	LTR	DESCRIPTION	DATE	DWN	APVD
-	-		A	REVISED PER ECR-14-007825	29MAY2014	RS	EC
			B	ECO-15-015144: ADD UL	29OCT2015	EC	EC

**SAFETY ORGANIZATIONS**

THIS FILTER HAS BEEN FORMALLY RECOGNIZED, CERTIFIED OR APPROVED BY THE LISTED AGENCY. THEREFORE, ALL TEST/REQUIREMENTS SPECIFIED IN THE LATEST REVISION OF THE FOLLOWING AGENCY STANDARDS HAVE BEEN MET: UL

**RELIABILITY SPECIFICATIONS**

STORAGE TEMPERATURE: -40°C TO +85°C  
 HUMIDITY: 21 DAYS @ 40°C 95% RH.

**OPERATING SPECIFICATIONS**

LINE CURRENT/VOLTAGE: 250 A, 690VAC  
 LINE FREQUENCY: 50-60 Hz  
 NOMINAL LEAKAGE CURRENT: 20 mA  
 MAXIMUM LEAKAGE CURRENT: 390mA @ 400V, 50HZ  
 OPERATING AMBIENT TEMPERATURE RANGE @ RATED CURRENT, I : -10°C TO +50°C

**TEST SPECIFICATIONS**

INDUCTANCE, NOMINAL: 42.7 µH  
 CAPACITANCE AT 1KHz, 0.25 VAC MAX., 25°C±1°C  
 LINE TO GROUND, NOMINAL: 3.1 µF  
 LINE TO LINE, NOMINAL: 7.0 µF  
 DISCHARGE RESISTOR  
 L/G AND L/L I.R. 1000 kOhm / 1000 kOhm  
 IR (NO DISCHARGE RESISTOR) 20°C, 50% RH AND 100VDC, MIN: 6000 MΩ

**RECOMMENDED RECEIVING INSPECTION HIPOT**

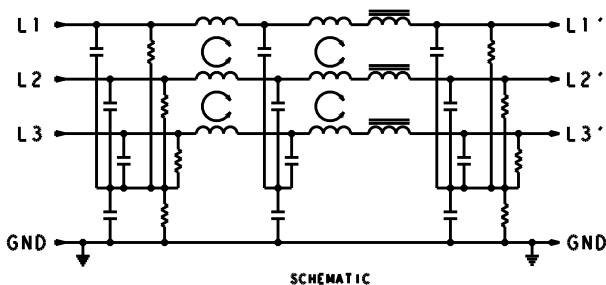
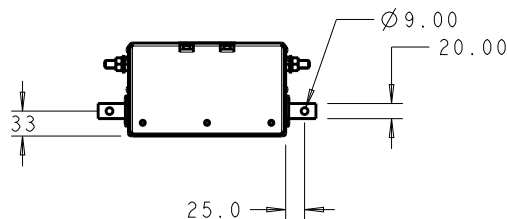
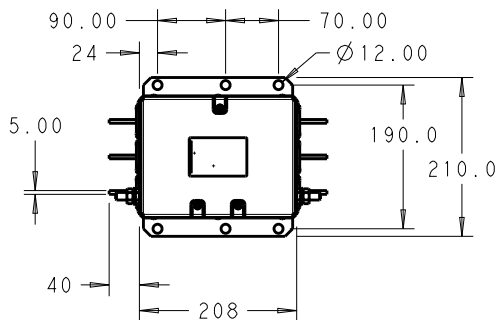
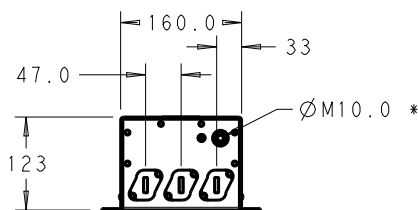
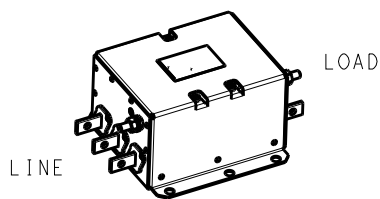
LINE TO GROUND FOR 1 MINUTE: 2640 VDC  
 LINE TO LINE FOR 1 MINUTE: 2520 VDC

**FILTER APPROVAL:**

THE BEST WAY TO SELECT AND QUALIFY A FILTER IS FOR YOUR ENGINEERING TO TEST THE UNIT IN YOUR EQUIPMENT.

IN AN AMBIENT, T, HIGHER THAN 50°C, THE MAXIMUM OPERATING CURRENT, I, IS AS FOLLOWS:

$$I_c I_o = I_R \sqrt{\frac{100 - T_o}{50}}$$



\* DO NOT LOOSEN INNER GROUND NUTS. TORQUE OUTER GROUND NUTS TO: 25-30 NM [220-260 IN-LB]

TYPICAL INSERTION LOSS  
 COMMON MODE 50/50Ω; DIFFERENTIAL MODE 100/100Ω

MHz	0.01	0.05	0.15	0.5	1.0	3.0	5.0	10	30
CM	13	37	56	70	65	56	53	51	27
DM	27	41	45	65	55	43	39	32	22

20

RELEASED FOR PUBLICATION

ALL RIGHTS RESERVED.

BY -

© COPYRIGHT 20

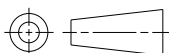
THIS DRAWING IS UNPUBLISHED.

DIMENSIONS:

mm

TOLERANCES UNLESS OTHERWISE SPECIFIED:

0 PLC	±2.0
1 PLC	±1.0
2 PLC	±0.13
3 PLC	±0.013
4 PLC	±0.0001
ANGLES	±



DWN 17DEC2013

RS

CHK 17DEC2013

EC

APVD 17DEC2013

EC

PRODUCT SPEC

APPLICATION SPEC

WEIGHT -

Customer Drawing

MATERIAL

FINISH



TE Connectivity

NAME

250APS12P  
 3-PHASE DELTA FILTER

SIZE

CAGE CODE

DRAWING NO

RESTRICTED TO

A4

00779

C

4-1609114-9

SCALE 1:1

SHEET 1 OF 1

REV B

## X-ON Electronics

Largest Supplier of Electrical and Electronic Components

*Click to view similar products for [Power Line Filters](#) category:*

*Click to view products by [TE Connectivity](#) manufacturer:*

Other Similar products are found below :

[5B1](#) [6609019-3](#) [6609026-5](#) [6609030-6](#) [6609063-2](#) [6609973-2](#) [7-1609090-5](#) [F1500CA06](#) [F7382Z](#) [F7863Z](#) [FAHAV3100ZC000](#) [806276](#)  
[FN2020B-1-06](#) [FN2080B-10-06](#) [FN2090A-1-06](#) [FN2410H-32-33](#) [FN2410H-80-34](#) [FN2412H-16-44](#) [FN420-1-13](#) [FP144](#) [8-6609089-0](#) [12-](#)  
[MMB-030-11-D](#) [B84144A90R120](#) [20B1](#) [RSEL-2001A](#) [2B1](#) [LP183](#) [1-6609070-1](#) [F1500CA10](#) [1B1](#) [FN2020A-10-06](#) [FN2020B-3-06](#)  
[FN2060A-3-06](#) [FN2070A-16-06](#) [FN2070B-16-08](#) [FN2090B-12-06](#) [FN2090Z-1-06](#) [FN2410H-25-33](#) [FN2410H-60-34](#) [FN2410H-8-44](#)  
[FN2412H-25-33](#) [FN2412H-8-44](#) [FN610R-3-06](#) [20EHZ7](#) [20K1](#) [30B6](#) [30BCF10R](#) [3K1](#) [4-6609089-0](#) [B84142A0016R122](#)