

REVISIONS				
NO.	DESCRIPTION	DATE	DWN	APVD
A2	DESCRIPTION CORRECTED FROM SOLDER TO SCREW TERMINAL IN TITLE BLOCK	13NOV2014	CR	JK

- 1 MATERIAL: ITEM NO. 1: HOUSING - PA
 ITEM NO. 2: CONTACT BODY - PA
 ITEM NO. 3: CONTACT - CuZn (brass)

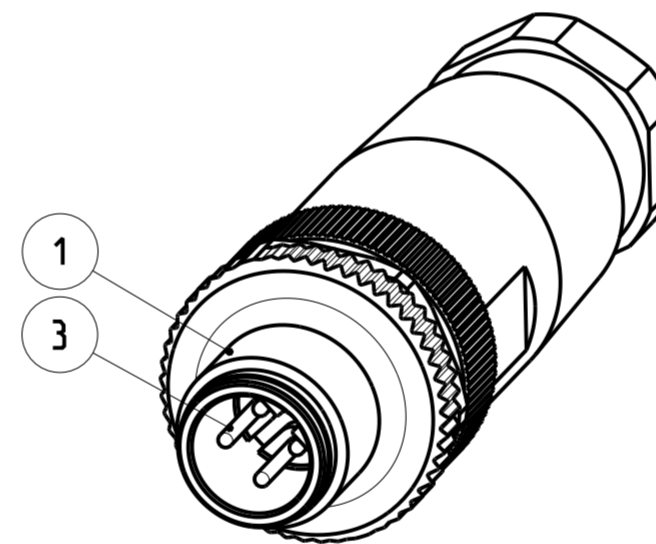
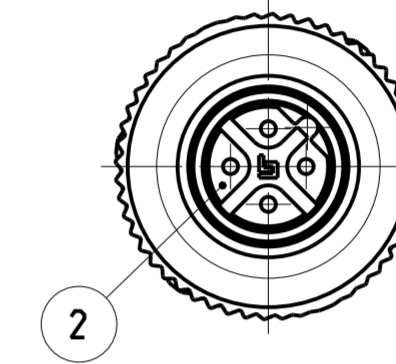
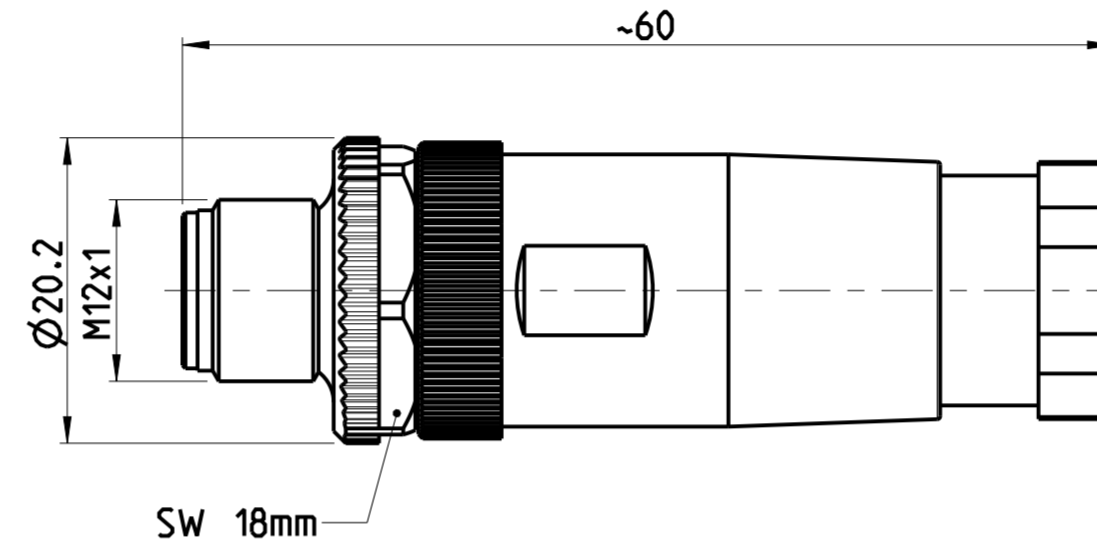
2 CONTACT FINISH - CuSnZn (Optalloy)

3 ALL DIMENSIONS ARE FOR NOMINAL REFERENCE ONLY UNLESS OTHERWISE STATED

4 MEASUREMENT REFERENCE ONLY

5 PACKAGING: 1 PIECE IN A BAG

TECHNICAL DATA	3-2271112-1	3-2271112-2	4-2271112-1	4-2271112-2
RATED VOLTAGE	250V	250V	125V	125V
RATED IMPULSE VOLTAGE	2500V	2500V	1500V	1500V
POLLUTION DEGREE	3	3	3	3
OVERVOLTAGE CATEGORY	II	II	II	II
MATERIAL GROUP	III	III	III	III
RATED CURRENT	4A	4A	4A	4A
VOLUME RESISTIVITY	≤ 8mΩ	≤ 8mΩ	≤ 8mΩ	≤ 8mΩ
DEGREE OF PROTECTION	IP67	IP67	IP67	IP67
UPPER TEMPERATURE	+85 °C	+85 °C	+85 °C	+85 °C
LOWER TEMPERATURE	-40 °C	-40 °C	-40 °C	-40 °C



3-2 AS SHOWN WIE GEZEICHNET

PIN ARRANGEMENT B-CODING (SCALE 2:1)

3-2271112-1	3-2271112-2	4-2271112-1	4-2271112-2

6-8	18 / 0.75mm ²	△ △	5	4-2271112-2
4-6	18 / 0.75mm ²	△ △	5	4-2271112-1
6-8	18 / 0.75mm ²	△ △	4	3-2271112-2
4-6	18 / 0.75mm ²	△ △	4	3-2271112-1
CABLE FEED-THROUGH mm	WIRES AWG / mm ²	MATERIAL	NUMBER OF POLES	TE-PART-NO.

DIESE ZEICHNUNG IST EIN KONTROLLIERTES DOKUMENT. BEMASSUNGEN UND TOLERANZEN GEMAESS GPS (ISO STANDARDS).

THIS DRAWING IS A CONTROLLED DOCUMENT. DIMENSIONING AND TOLERANCING PER GPS (ISO STANDARDS).

DIMENSIONS: MASSE/MASSSTAB: (mm)	TOLERANCES UNLESS OTHERWISE SPECIFIED: ALLGEMEINTOLERANZEN
0 PLC	±
1 PLC	±
2 PLC	±
3 PLC	±
4 PLC	±
ANGLES/WINKEL	±
FINISH/OBERFLAECHE/FARBE	

MATERIAL: -

DWN YASHKUMAR 28APR2014	CHK M.STRELOW 28APR2014	APVD C.SCHREITLINGER 28APR2014	NAME
TE Connectivity			M12 MALE, STRAIGHT, FIELD INSTALLABLE, UNSHIELDED CONNECTOR, SCREW TERMINALS, B-CODING
SIZE A2	CAGE CODE 00779	DRAWING NO. C-2271112	RESTRICTED TO MUR FÜR
Customer Drawing	/KUNDENZEICHNUNG	SCALE MASSSTAB 2:1	SHEET BLATT 1 OF 1 REV A2

SIZE ISO 14405 (E)

X-ON Electronics

Largest Supplier of Electrical and Electronic Components

Click to view similar products for [Circular Metric Connectors](#) category:

Click to view products by [TE Connectivity](#) manufacturer:

Other Similar products are found below :

[1424048](#) [1021212](#) [600X518037X](#) [6STD09SAM99B70X](#) [6STD15PCR99B70A](#) [8R4000A16M020](#) [1200910002](#) [1201150041](#) [1203580030](#)
[1200700064](#) [1200700263](#) [1200700416](#) [1200730102](#) [1200770002](#) [1-2823588-2](#) [130203-0054](#) [1300140026](#) [1300150099](#) [1-3637-600-5205](#)
[1545399](#) [1594331](#) [1600413](#) [1612606](#) [1612618](#) [1614660](#) [1A4000-348](#) [CA06EW24-10P-B-03](#) [21036836414](#) [2823064-1](#) [1610759](#) [A1642LK-](#)
[II-T](#) [1R3006A20M005](#) [41-01016](#) [41-40011](#) [41-40017](#) [42-00006](#) [42-01015](#) [4-22279-4](#) [4-22281-1](#) [4-22284-9](#) [43-00002](#) [43-00113](#) [43-00130](#)
[43-01028](#) [43-01034](#) [43-01088](#) [43-01090](#) [43-01203](#) [43-01209](#) [43-01335](#)