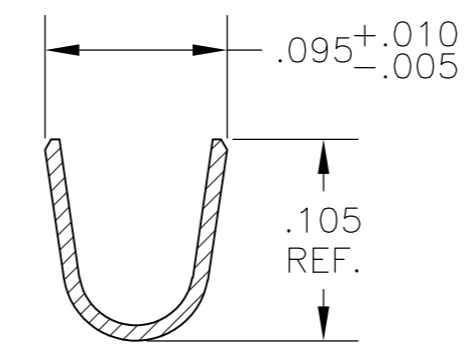
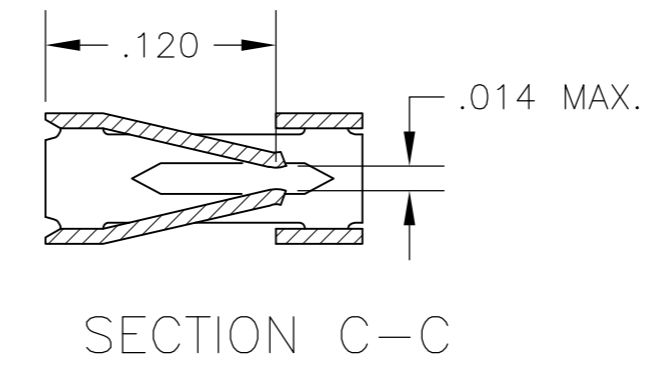
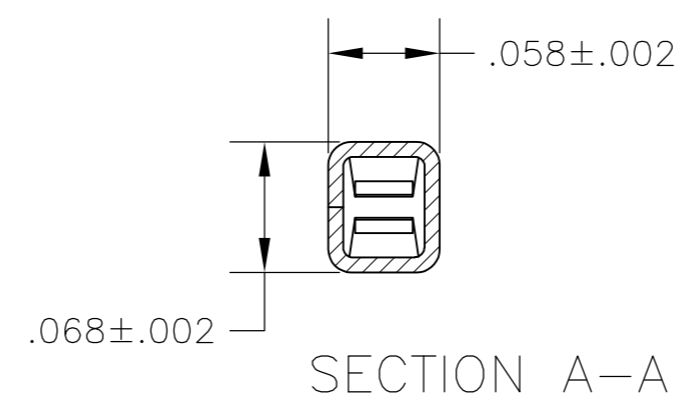
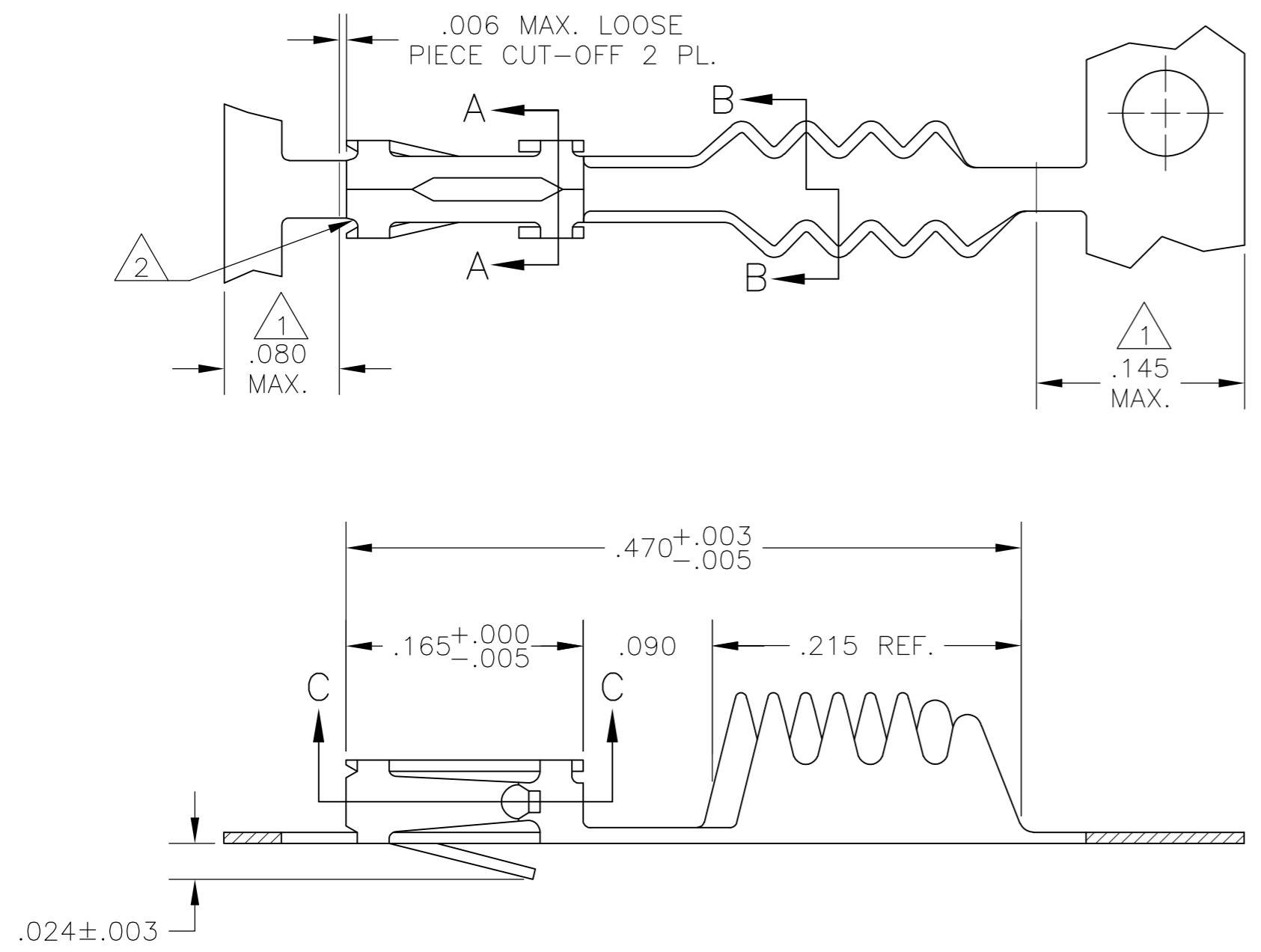


THIS DRAWING IS UNPUBLISHED. RELEASED FOR PUBLICATION
 © COPYRIGHT - By - ALL RIGHTS RESERVED.

REVISIONS				
P	LTR	DESCRIPTION	DATE	APVD
L		REVISED PER ECO-15-012503	02MAR2016	NK JO



INSULATION RANGE .055 MAX.

SECTION B-B

- 1 GOLD PLATING IS NOT REQUIRED IN THIS AREA.
- 2 CUT-OUTS ON THE BOX ARE AT MANUFACTURERS OPTION.
- 3 THIS TERMINAL IS REELED FOR THE STANDARD APPLICATOR.
- 4 THIS TERMINAL IS REELED FOR THE MINI APPLICATOR.
- 5 .000030 GOLD OVER .000050 NICKEL.
- 6 .000030 GOLD ON THE CONTACT AREA, GOLD FLASH ON THE REMAINDER ALL OVER .000050 NICKEL.
- 7 PREPLATED:(HALT).000078-.000158 BRIGHT TIN
- 8 POINT OF MEASUREMENT FOR PLATING THICKNESS (INSIDE BEAMS).
- 9 OBSOLETE PART NO.

87107-3	4	7	102348-3	87107-6
87107-8	4	6	102348-2	87107-5
87107-8	3	6	102348-2	
9 87107-7	4	5	102348-1	9 87107-2
9 87107-7	3	5	102348-1	
IN-PROCESS PART NUMBER	REMARKS	FINISH	LOOSE PIECE PART NUMBER	PART NUMBER

THIS DRAWING IS A CONTROLLED DOCUMENT.		DWN L D RINGLY 12-10-85	TE TE Connectivity	
DIMENSIONS: INCHES		CHK J L GESFORD 12-16-85		
TOLERANCES UNLESS OTHERWISE SPECIFIED:		APVD J L GESFORD 12-16-85	NAME	
0 PLC ± -		PRODUCT SPEC	CONTACT, MOD IV, RECEPTACLE, CRIMP SNAP-IN	
1 PLC ± -		108-25,020	SIZE CAGE CODE DRAWING NO	
2 PLC ± -		114-25,003	A2 00779 C-87107	
3 PLC ± .005		WEIGHT	RESTRICTED TO	
4 PLC ± -		-	-	
ANGLES ± -		CUSTOMER DRAWING	SCALE 10:1 SHEET 1 OF 1 REV L	
FINISH SEE TABLE				

X-ON Electronics

Largest Supplier of Electrical and Electronic Components

Click to view similar products for [Headers & Wire Housings](#) category:

Click to view products by [TE Connectivity](#) manufacturer:

Other Similar products are found below :

[95000-104TRLF](#) [10135584-644402LF](#) [DF62W-EP2022PCA](#) [95000-106TRLF](#) [DF62W-2022SCA](#) [DF62W-EP2022PC](#) [2203348](#) [DF62W-2022SC](#) [1084018](#) [1029039](#) [1084017](#) [802-10-012-10-002000](#) [1112640](#) [1112639](#) [000-34000](#) [0009482033](#) [0009507031](#) [57102-S06-03LF](#) [57202-S52-04LF](#) [PCN6-15S-2.5E](#) [0039019024](#) [58102-G61-06LF](#) [582553-1](#) [0009485154](#) [0009508121](#) [0022285053](#) [0050291907](#) [018731A](#) [LY20-4P-DT1-P1E-BR](#) [02.125.8002.8](#) [60101931](#) [60598-1 \(Cut Strip\)](#) [M1625-3R/100](#) [61062-3](#) [61082-181009](#) [636-1427](#) [638009-1](#) [641938-9](#) [641991-4](#) [644168-1](#) [647662-1](#) [65039-019ELF](#) [65781-047](#) [65817-002LF](#) [65817-015LF](#) [65863-015LF](#) [66207-023LF](#) [67016-026LF](#) [67046-001LF](#) [67095-007LF](#)