

THIS DRAWING IS UNPUBLISHED.

RELEASED FOR PUBLICATION

© COPYRIGHT -

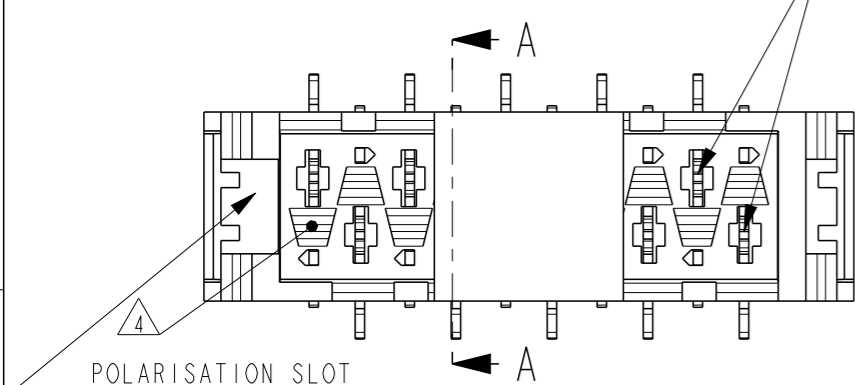
ALL RIGHTS RESERVED.

LOC DIST

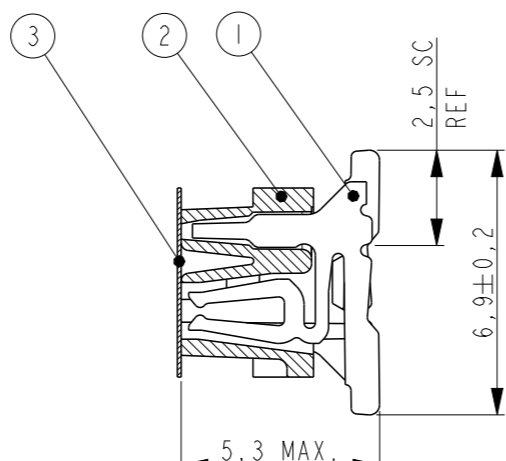
REVISIONS

P	LTR	DESCRIPTION	DATE	DWN	APVD
	A	RELEASE TO PRODUCTION	18DEC2014	NV	PS

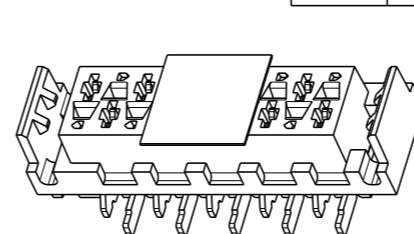
REFERENCE MATING INTERFACE PATTERN:
1,27 STAGGERED PITCH x 1,5 ROW-DISTANCE.



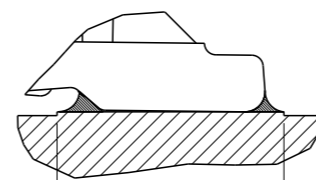
POLARISATION SLOT



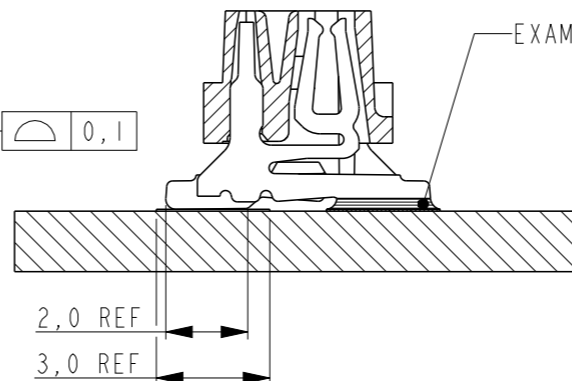
SECTION A-A



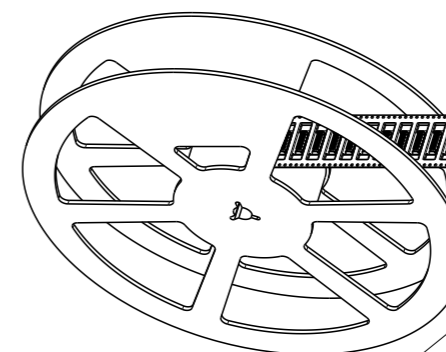
SCALE 3:1



SOLDER DETAIL
SCALE 10:1



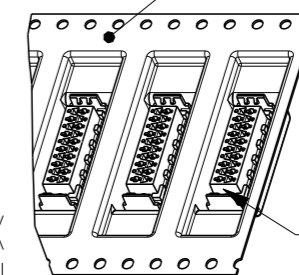
EXAMPLE SOLDER JOINT



SEE DETAIL X

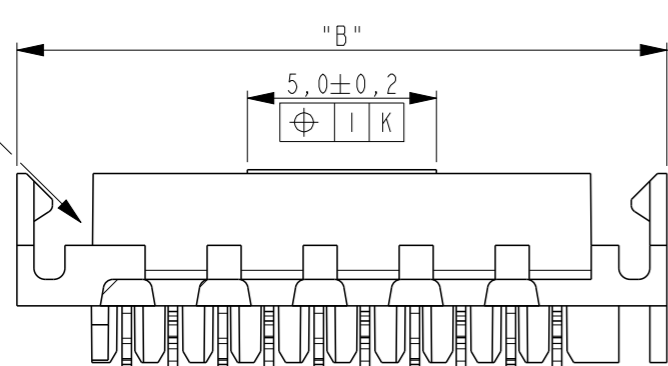
USER DIRECTION OF FEED

ACCORDING EIA-481/DIN IEC 286



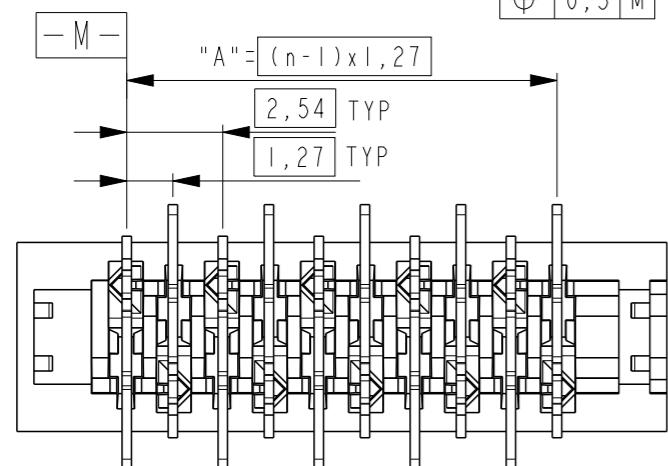
DETAIL X
SCALE 1:1

POLARIZATION-SLOT
ON THIS SIDE.



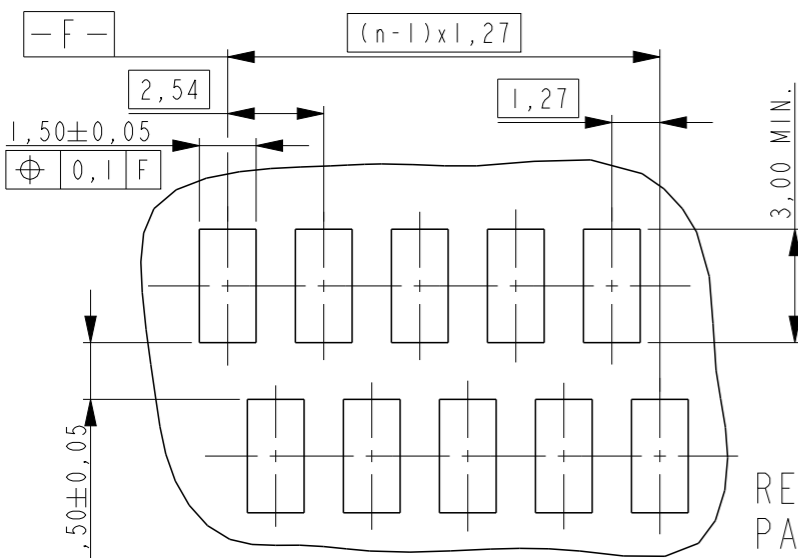
0,25±0,05 TYP.

0,5 M



NOTES:

- 1 TAPE FOR VACUUM P&P ONLY FOR DASH NUMBERS 7- /8- /9-
- 2 FOR PACKAGING SEE SHEET 2 AND 3
- 3 WITHOUT VACUUM TAPE.
- 4 CORING-OUTS FOR MANUFACTURING PURPOSE ONLY.
SHAPE MAY VARY, BUT IS NOT FUNCTIONAL FOR THE APPLICATION.
- 5 SHOWN IS A 10 POSITION CONNECTOR.



RECOMMENDED PC-BOARD
PAD-LAYOUT TOP VIEW

Item no.	Description	Material	Finish
3	PICK & PLACE TAPE	KAPTON	AMBER TRANSPARENT
2	FEMALE HOUSING	POLYAMIDE 4/6,GF	BLACK
1	FEMALE CONTACT	TIN BRASS	TIN(3-5µ) OVER NICKEL

THIS DRAWING IS A CONTROLLED DOCUMENT.

DIMENSIONS:	TOLERANCES UNLESS OTHERWISE SPECIFIED:
mm	
	0 PLC ±-
	1 PLC ±-
	2 PLC ±-
	3 PLC ±-
	4 PLC ±-
	ANGLES ±-
MATERIAL	FINISH
SEE TABLE	SEE TABLE

DWN	25SEP2014
NAGASHREE, V	
CHK	26SEP2014
PRASHANTH, S	
APVD	26SEP2014
JAYANTH	
PRODUCT SPEC	
108-32087	
APPLICATION SPEC	
114-13318	
WEIGHT	-

NAME			
STE TE Connectivity			
MICRO-MATCH VALUE LINE FEMALE-ON-BOARD TOP-ENTRY, SMD CONNECTOR WITH LATCHES			
SIZE	CAGE CODE	DRAWING NO	RESTRICTED TO
A3	00779	2823056	-

Customer Drawing	SCALE 5:1	SHEET 1 OF 3	REV A
------------------	-----------	--------------	-------

THIS DRAWING IS UNPUBLISHED.

RELEASED FOR PUBLICATION

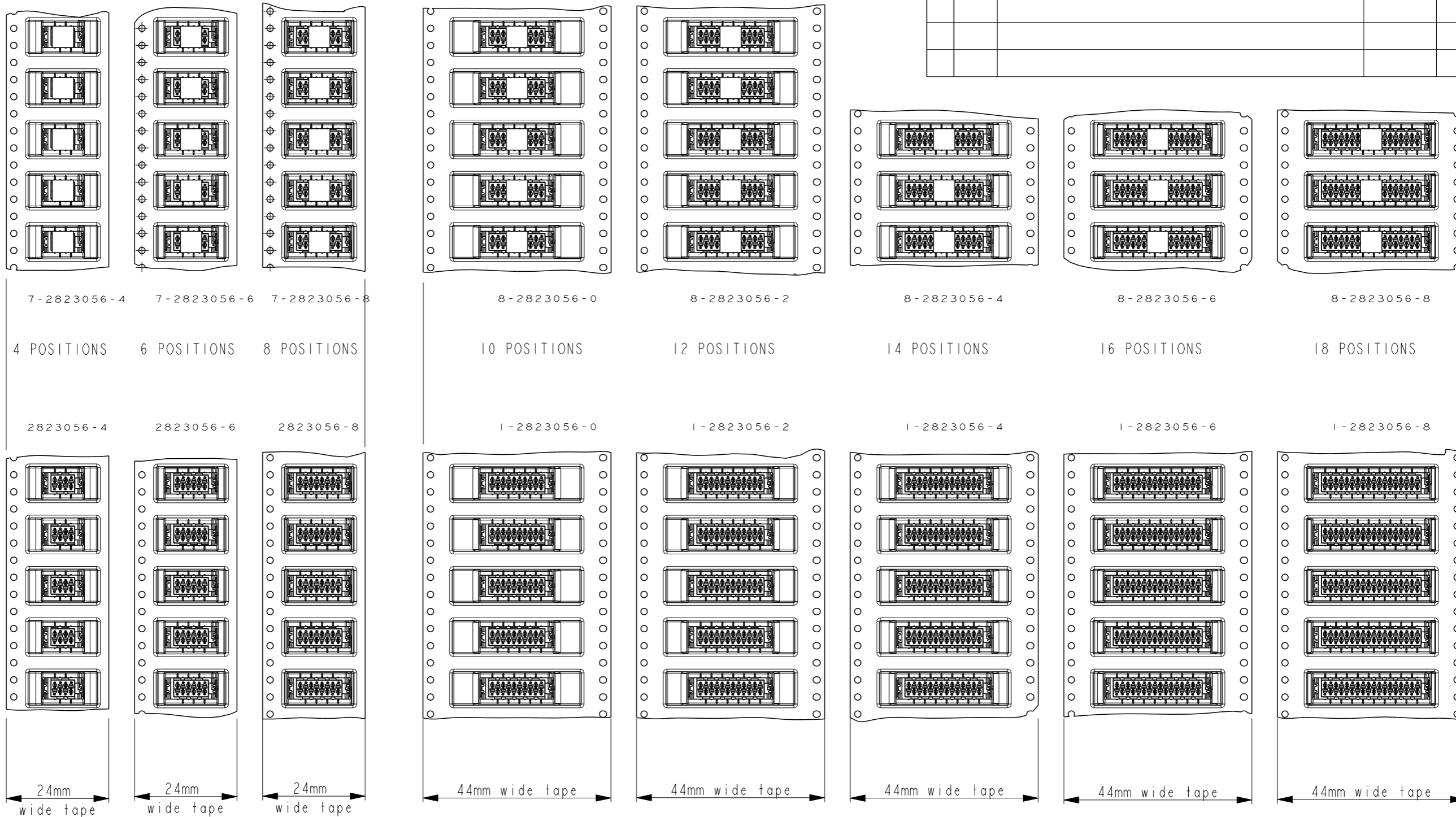
© COPYRIGHT -

ALL RIGHTS RESERVED.

LOC - DIST -

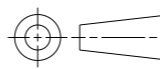
REVISIONS

P	LTR	DESCRIPTION	DATE	DWN	APVD
-	-	SEE SHEET 1	-	-	-



THIS DRAWING IS A CONTROLLED DOCUMENT.

DIMENSIONS:
mm



TOLERANCES UNLESS OTHERWISE SPECIFIED:

- 0 PLC ±-
- 1 PLC ±-
- 2 PLC ±-
- 3 PLC ±-
- 4 PLC ±-
- ANGLES ±-
- FINISH -

MATERIAL -

DWN 25SEP2014
Nagashree_V

CHK 26SEP2014
Prashanth_S

APVD 26SEP2014
Jayanth_K

PRODUCT SPEC
108-32087

APPLICATION SPEC
114-13318

WEIGHT -



NAME
MICRO-MATCH VALUE LINE
FEMALE-ON-BOARD TOP-ENTRY,
SMD CONNECTOR WITH LATCHES.

SIZE A3	CAGE CODE 00779	DRAWING NO C-2823056	RESTRICTED TO -
------------	--------------------	-------------------------	--------------------

Customer Drawing SCALE 4:1 SHEET 2 OF 3 REV A

THIS DRAWING IS UNPUBLISHED.

RELEASED FOR PUBLICATION

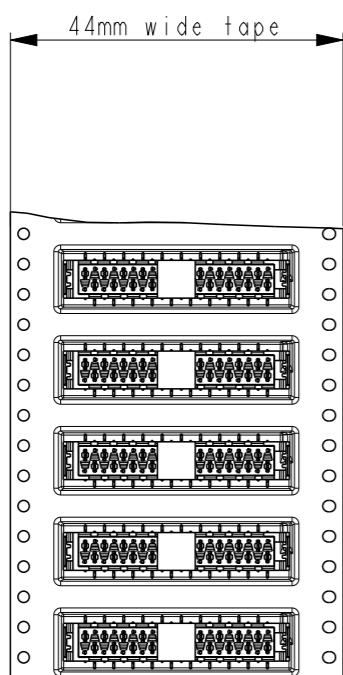
© COPYRIGHT -

ALL RIGHTS RESERVED.

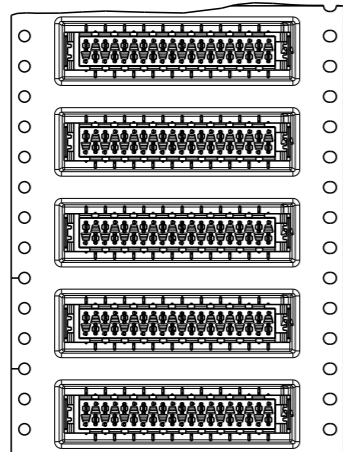
LOC - DIST -

REVISIONS

P	LTR	DESCRIPTION	DATE	DWN	APVD
-	-	SEE SHEET 1	-	-	-

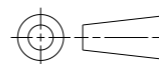


9-2823056-0
 20 POSITIONS
 2-2823056-0



THIS DRAWING IS A CONTROLLED DOCUMENT.

DIMENSIONS:
mm



TOLERANCES UNLESS OTHERWISE SPECIFIED:

- 0 PLC ±
- 1 PLC ±
- 2 PLC ±
- 3 PLC ±
- 4 PLC ±
- ANGLES ±

MATERIAL -

FINISH -

DWN 25SEP2015

Nagashree.V

CHK 26SEP2014

Prashanth.S

APVD 26SEP2014

JAYANTH

PRODUCT SPEC 108-32087

APPLICATION SPEC 114-13318

WEIGHT -



NAME
 MICRO-MATCH VALUE LINE
 FEMALE-ON-BOARD TOP-ENTRY,
 SMD CONNECTOR WITH LATCHES.

SIZE	CAGE CODE	DRAWING NO	RESTRICTED TO
A3	00779	C-2823056	-

Customer Drawing SCALE 4:1 SHEET 3 OF 3 REV A

X-ON Electronics

Largest Supplier of Electrical and Electronic Components

Click to view similar products for [Headers & Wire Housings](#) category:

Click to view products by [TE Connectivity](#) manufacturer:

Other Similar products are found below :

[95000-104TRLF](#) [10135584-644402LF](#) [DF62W-EP2022PCA](#) [95000-106TRLF](#) [DF62W-2022SCA](#) [DF62W-EP2022PC](#) [2203348](#) [DF62W-2022SC](#) [1084018](#) [1029039](#) [1084017](#) [802-10-012-10-002000](#) [1112640](#) [1112639](#) [000-34000](#) [0009482033](#) [0009507031](#) [57102-S06-03LF](#) [57202-S52-04LF](#) [PCN6-15S-2.5E](#) [0039019024](#) [58102-G61-06LF](#) [582553-1](#) [0009485154](#) [0009508121](#) [0022285053](#) [0050291907](#) [018731A](#) [LY20-4P-DT1-P1E-BR](#) [02.125.8002.8](#) [60101931](#) [60598-1 \(Cut Strip\)](#) [M1625-3R/100](#) [61062-3](#) [61082-181009](#) [636-1427](#) [638009-1](#) [641938-9](#) [641991-4](#) [644168-1](#) [647662-1](#) [65039-019ELF](#) [65781-047](#) [65817-002LF](#) [65817-015LF](#) [65863-015LF](#) [66207-023LF](#) [67016-026LF](#) [67046-001LF](#) [67095-007LF](#)