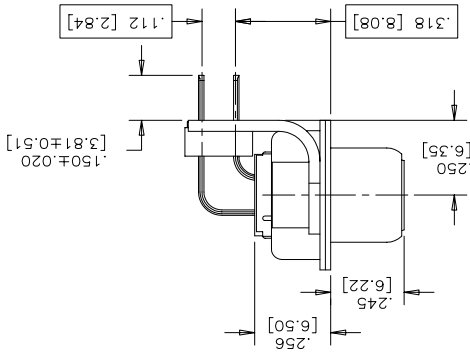


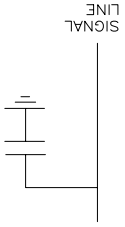
REVISIONS	
REV	DATE
A	JAN23/07
PROPOSAL DRAWING (EAR 13019)	

ORDERING CODE: F C E 1 7 - A 1 5 S A - E 1

SERIES FCE17=FILTERED D-SUB, ROHS
 SIZE/NUMBER OF CONTACTS A15=A SIZE SHELL, 15 CONTACTS
 CONNECTOR STYLE S=SOCKET
 TERMINATION TYPE A=.318" [8.08] FOOTPRINT
 FILTER CAPACITANCE E=2500 pF
 REFER TO AMPHENOL CATALOGUE FOR FILTER PERFORMANCE CHARACTERISTICS
 MOUNTING E=#4-40 THREAD ON FLANGE WITH #4-40 HEX JACK SOCKETS SUPPLIED



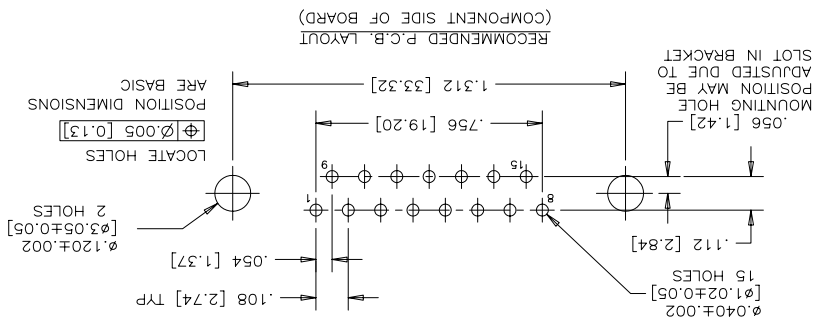
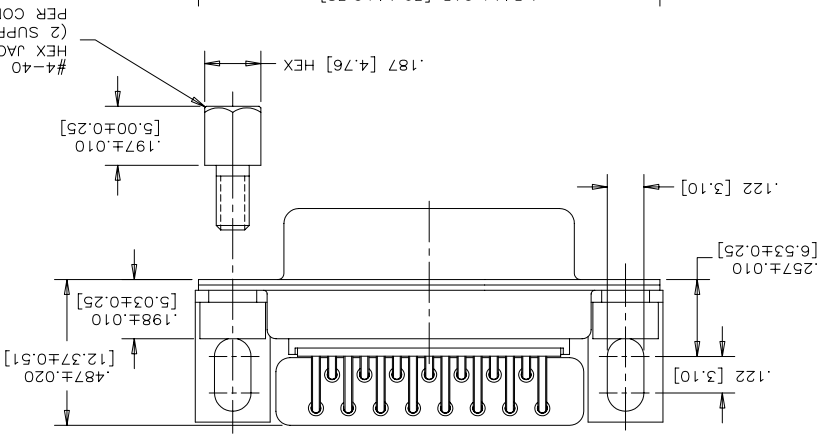
CAPACITANCE SCHEMATIC FOR EACH POSITION



- NOTES:
1. MATERIALS: ALL MATERIALS ARE ROHS COMPLIANT.
 - SHELL: STEEL, TIN PLATED
 - CONTACTS: PHOSPHOR BRONZE, PLATED WITH 15µ" [0.38 MICRONS] GOLD OVER 50µ" [1.27 MICRONS] MINIMUM NICKEL IN THE MATING AREA AND 100µ" [2.54 MICRONS] MINIMUM TIN ON THE TAILS.
 - INSULATOR: ENGINEERING THERMOPLASTIC, CLASS REINFORCED, UL FLAMMABILITY RATING 94V-0, COLOUR: BLACK
 - MOUNTING HARDWARE, STEEL OR COPPER ALLOY, TIN OR NICKEL PLATED.
 2. CONTACT RESISTANCE: 15 MILLIOHMS MAXIMUM
 3. INSULATION RESISTANCE: 3000 MEGOHMS MINIMUM
 4. CURRENT RATING: 5 AMPS MAXIMUM
 5. CAPACITANCE: 2500 pF ±15%
 6. DIELECTRIC WITHSTANDING VOLTAGE: 1000 VDC
 7. OPERATING TEMPERATURE: -40°C TO 85°C
 8. TOLERANCE UNLESS INDICATED OTHERWISE: ±.005 [0.13]

DATE	JAN23/07
DRAWN	K. LAMBIE
DESIGNED	
CHECKED	
FCE17 SERIES FILTERED D-SUB CONNECTOR, 15 SIZE SOCKET, RIGHT ANGLE, .318" [8.08] F/P, L. E. APPROD.	
Q. A. APPROD.	
DWG. APPROD.	
ENG. REL. NO.	
REF. EAR #13019	
DIMENSIONS ARE IN INCHES [mm]	
SCALE	3/1
WT.	
SURF.	
SHEET 1 OF 1	

REV	A
DWG	P-FCE17-A15SA-E1
AMPHENOL Canada Corp.	



THIS DOCUMENT CONTAINS PROPRIETARY INFORMATION AND SUCH INFORMATION MAY NOT BE DISCLOSED TO OTHERS FOR ANY PURPOSE OR USED FOR MANUFACTURING PURPOSES WITHOUT WRITTEN PERMISSION FROM AMPHENOL CANADA CORP.

X-ON Electronics

Largest Supplier of Electrical and Electronic Components

Click to view similar products for [D-Sub Standard Connectors](#) category:

Click to view products by [Amphenol](#) manufacturer:

Other Similar products are found below :

[DCM37S732N](#) [DAM15P500](#) [DEV09S364GTLF](#) [DEM09P032N](#) [DDM50P732N](#) [DAM15S332N](#) [173109-2218](#) [173109-2466](#) [173109-2436](#)
[173109-2435](#) [56F706-005-LI](#) [56F711-015](#) [015-0341-000](#) [015-0372-008](#) [015-8544-011](#) [017041-0005](#) [020419-0104](#) [012-0515-000](#) [012-9507-](#)
[034](#) [012-9507-114](#) [012-9534-001](#) [020745-0008](#) [609-25P](#) [M24308/2-23Z](#) [M243082310F](#) [M243082410F](#) [M243082411F](#) [M24308/4-21](#)
[CT1A18-11PSA206](#) [CT1N36-5SC](#) [CT2-16S-17PS](#) [CT2-20-15PCAU](#) [CT2-24-12PS](#) [CT2-24-28PSF127A206](#) [CT2-32-9PC](#) [CT6F9767-14-4-](#)
[14S-5PC](#) [CT6FA10SL-4PS](#) [CT7-18-10SC](#) [CT7-18-10SCAU](#) [CT7-18-12SCAU](#) [CT7-18-1PC](#) [CT7-18-1PCAU](#) [CT7-18-21SCAU](#) [M83513/01-](#)
[FC](#) [M83723/76W24619 L/C](#) [M85049/48-3-2F](#) [69001-865](#) [6STD09PCM99B70X](#) [6STD09SCM99B30X](#) [6STD09SCT99S40X](#)