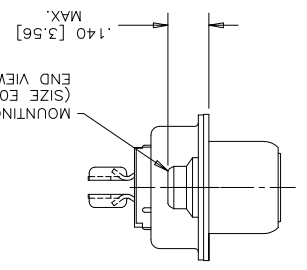
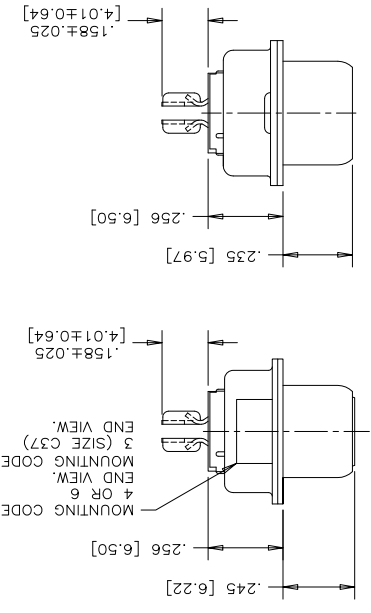
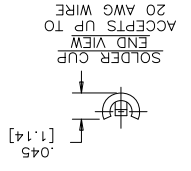
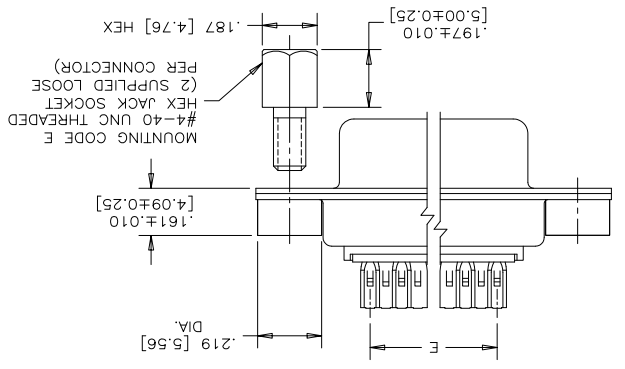
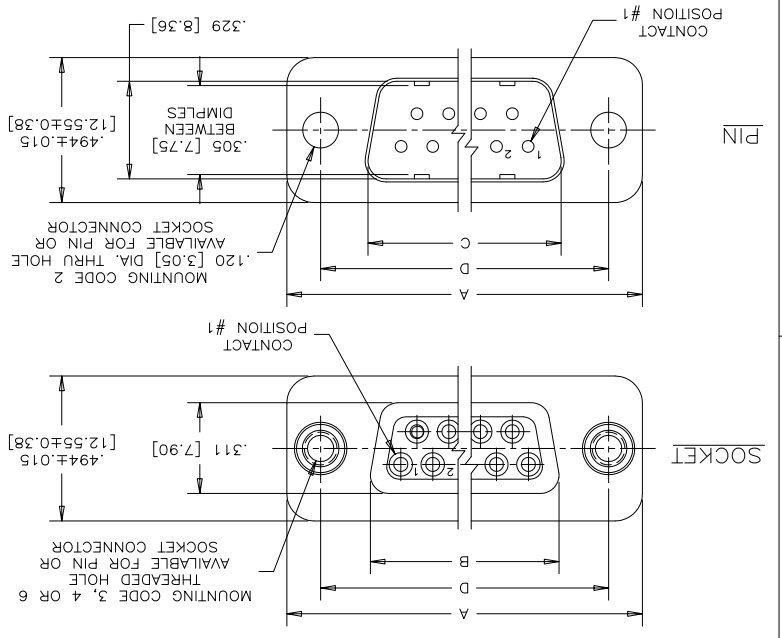


THIS DOCUMENT CONTAINS PROPRIETARY INFORMATION AND SUCH INFORMATION MAY NOT BE DISCLOSED TO OTHERS FOR ANY PURPOSE OR USED FOR MANUFACTURING PURPOSES WITHOUT WRITTEN PERMISSION FROM AMPHENOL CANADA CORP.

SIZE	STYLE	A ±.015	B ±.005	C ±.005	D ±.005	E BSC.
E09	PIN	1.213	---	.666	[16.92]	.984
	SOCKET	[50.81]	---	---	[24.99]	[10.97]
A15	PIN	1.541	---	.971	[24.66]	[19.20]
	SOCKET	[59.14]	---	---	[53.52]	[7.56]
B25	PIN	2.088	---	1.534	[38.96]	1.304
	SOCKET	[53.04]	---	---	[47.04]	[33.12]
C37	PIN	2.729	---	---	---	1.956
	SOCKET	[69.32]	---	---	[55.42]	[49.68]



- NOTES:
1. MATERIALS: ALL MATERIALS ARE ROHS COMPLIANT.
 2. CONTACT RESISTANCE: 15 MILLIOHMS MAXIMUM
 3. INSULATION RESISTANCE: 3000 MEGOHMS MINIMUM
 4. CURRENT RATING: 5 AMPS MAXIMUM
 5. OPERATING TEMPERATURE: -40°C TO 85°C
 6. TOLERANCE UNLESS INDICATED OTHERWISE: ±.005 [0.13]

DATE	UNN2/05	DESIGNED	
CHECKED		I. E. APPRD.	
		O. A. APPRD.	
		DWG. APPRD.	
TITLE	FCE17 SERIES FILTERED D-SUB CONNECTOR, PIN & SOCKET, SOLDER CUP CONTACTS, ROHS COMPLIANT		
DWG NO.	P-FCE17-XXXXM-XXOX		
REV	F		

1. MATERIALS: ALL MATERIALS ARE ROHS COMPLIANT.
- SHELL: STEEL, TIN PLATED
 - CONTACTS: PHOSPHOR BRONZE, PLATED WITH GOLD OVER 50µ" [1.27 MICRONS] MINIMUM NICKEL IN THE MATING AREA AND 100µ" [2.54 MICRONS] MATTE TIN ON THE TAILS.
 - INSULATOR: ENGINEERING THERMOPLASTIC, GLASS REINFORCED, UL FLAMMABILITY RATING 94V-0, COLOUR: BLACK
 - MOUNTING HARDWARE, STEEL OR COPPER ALLOY, TIN OR NICKEL PLATED.



ORDERING CODE: F C E 1 7 - E 0 9 P M - 4 7 0 G

SERIES FCE17=FILTERED D-SUB, ROHS

SIZE/NUMBER OF CONTACTS E09, A15, B25, OR C37

CONNECTOR STYLE P=PIN S=SOCKET

TERMINATION TYPE M=SOLDER CUP TAILS

FILTER CAPACITANCE

NO DIGIT=STANDARD 15 MICRONS GOLD ON MATING AREA

G=50 MICRONS [1.27 MICRONS] GOLD ON MATING AREA

MODIFIER O=STANDARD

PERFORMANCE CHARACTERISTICS

REFER TO AMPHENOL CATALOGUE FOR FILTER

HEX JACK SOCKETS SUPPLIED

E=CODE 4 MOUNTING WITH #4-40 UNC

6=M3 x 0.5 THREAD

4=#4-40 UNC THREAD

3=#4-40 UNC SELF-LOCKING THREAD

2=.120 [3.05] DIA THROUGH HOLE

MOUNTING

D=50 pf

B=100 pf

7=1200 pf

6=1300 pf

5=1500 pf

F=330 pf

J=1500 pf

E=2200 pf

L=380 pf

1=470 pf

8=47000 pf

4=820 pf

N=NO FILTERS

REV	ECN, ERN NO.	DATE	APPRD.
F	PRODUCT DRAWING (EAR 14498)	NOV11/16	K.L.
REVISIONS			

X-ON Electronics

Largest Supplier of Electrical and Electronic Components

Click to view similar products for [D-Sub Adapters & Gender Changers](#) category:

Click to view products by [Amphenol](#) manufacturer:

Other Similar products are found below :

[76000672](#) [243A10110X](#) [243A10120X](#) [243A10140X](#) [243A11070X](#) [243A13240X](#) [243A13290X](#) [243A13460X](#) [300X10729X](#) [300X10759X](#)
[GCHDLP26F26F](#) [56-715-005-LI](#) [56F715-003](#) [76000673](#) [200.2071](#) [243A11800X](#) [243A10560X](#) [243A11060X](#) [56-745-005](#) [243A10580X](#)
[56F715-005-LI](#) [SC485](#) [40-9525S](#) [76000670](#) [FCC17-C37AD-291](#) [FCC17-E09AD-250](#) [FCE17-E09AD-250](#) [76000560](#) [GCLP37M37F](#)
[GCLP37M37M](#) [76000702](#) [GCHDLPF15M15M](#) [GCHDLPF15F15F](#) [301-1001-11](#) [301-1001-31](#) [76000698](#) [76000699](#) [NADB9MF](#) [FCE17-](#)
[C37AD-290](#) [30-9520](#) [P156-000](#) [P118-000](#) [P152-000](#) [2902318](#) [P150-000](#) [2902317](#) [320X10549X](#) [2902320](#) [230016003](#) [163A50039X](#)