

REV	ECN, ERN NO.	DATE	APPRD.
D	PRODUCT DRAWING (EAR 14498)	NOV11/16	K.L.

REVISIONS

NO DIGIT=STANDARD 15 MICRONS GOLD ON MATING AREA  
 G=50 MICRONS [1.27 MICRONS] GOLD ON MATING AREA  
 MODIFIER  
 F=NO MOUNTING BRACKET OR BOARDLOCK, ALIGNMENT STRIP ONLY  
 FILTER CAPACITANCE  
 D=50 pF    5=1000 pF  
 B=100 pF    7=1200 pF  
 0=180 pF    6=1300 pF  
 F=350 pF    4=1500 pF  
 L=380 pF    E=2200 pF  
 9=5600 pF    1=470 pF  
 8=4700 pF    4=820 pF  
 N=NO FILTERS

REFER TO AMPHENOL CATALOGUE FOR FILTER PERFORMANCE CHARACTERISTICS  
 MOUNTING  
 2=1/20 [3.05] DIA THROUGH HOLE  
 3=#4-40 UNC SELF-LOCKING THREAD  
 4=#4-40 UNC THREAD  
 6=M3 x 0.5 THREAD  
 E=CODE 4 MOUNTING WITH #4-40 UNC HEX JACK SOCKETS SUPPLIED.



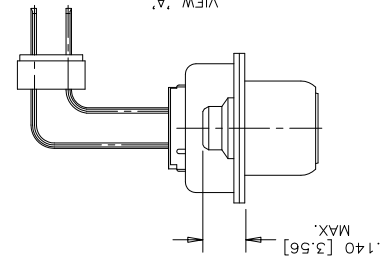
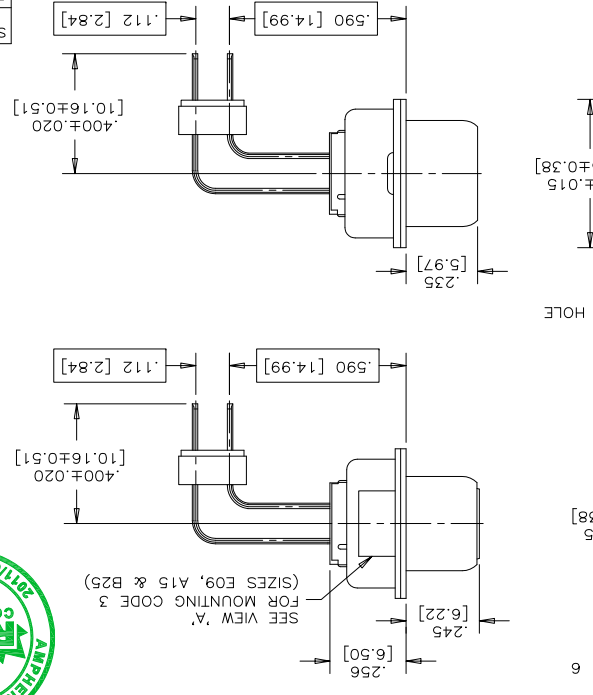
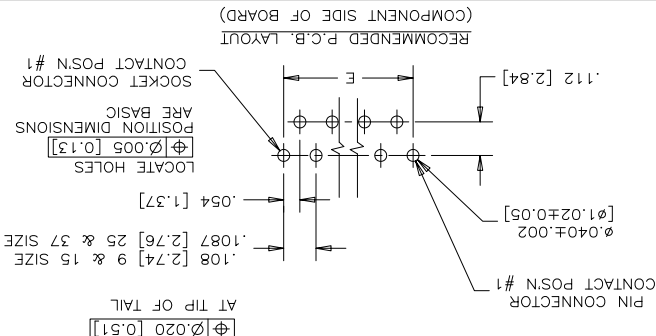
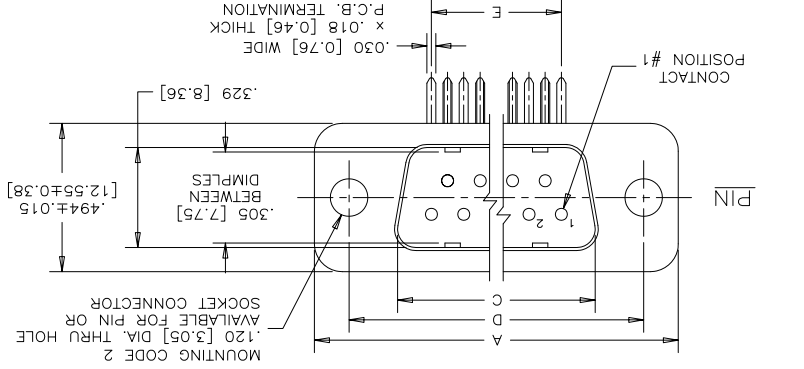
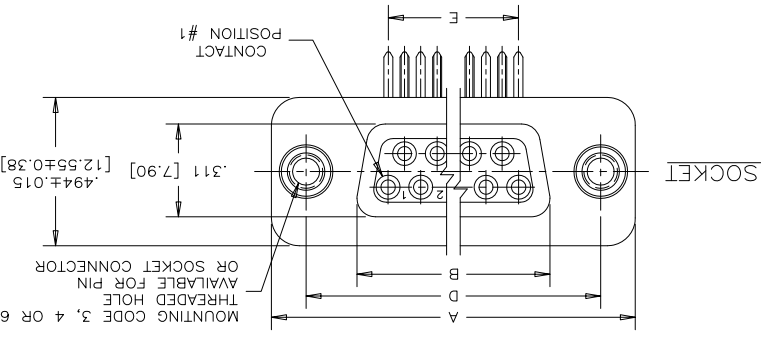
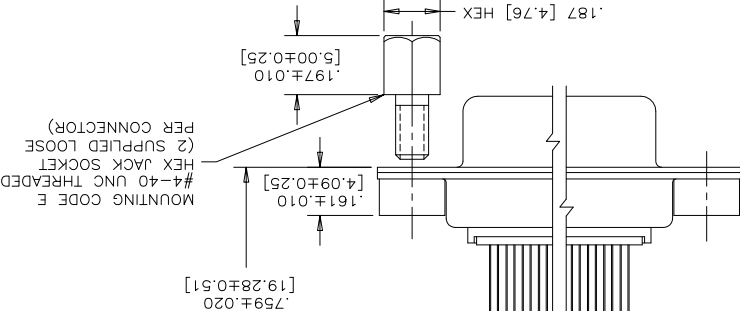
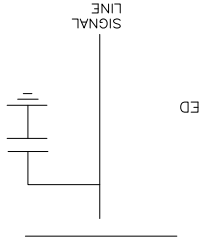
NOTES:  
 1. MATERIALS: ALL MATERIALS ARE ROHS COMPLIANT.  
 - SHELL: STEEL, TIN PLATED  
 - CONTACTS: PHOSPHOR BRONZE, PLATED WITH GOLD OVER 50μ [1.27 MICRONS] MINIMUM NICKEL IN THE MATING AREA AND 100μ [2.54 MICRONS] MINIMUM MATTE TIN ON THE TAILS.  
 - INSULATOR: ENGINEERING THERMOPLASTIC, GLASS REINFORCED, UL FLAMMABILITY RATING 94V-0, COLOUR: BLACK  
 - MOUNTING HARDWARE: STEEL OR COPPER ALLOY, TIN OR NICKEL PLATED.  
 2. CONTACT RESISTANCE: 15 MILLIOHMS MAXIMUM  
 3. INSULATION RESISTANCE: 3000 MEGOHMS MINIMUM  
 4. CURRENT RATING: 5 AMPS MAXIMUM  
 5. OPERATING TEMPERATURE: -40°C TO 85°C  
 6. TOLERANCE UNLESS INDICATED OTHERWISE: ±.005 [0.13]

SIZE	STYLE	EA.015	EA.005	EA.005	EA.005	E BSC.
E09	PIN	1.213	1.213	1.213	.666 [16.92]	.984
E09	PIN	1.541	.944 [25.25]	.944 [25.25]	1.312	1.312
A15	PIN	1.541	.971 [24.66]	.971 [24.66]	1.332	1.332
A15	PIN	1.541	.971 [24.66]	.971 [24.66]	1.332	1.332
B25	PIN	2.088	1.534 [38.96]	1.534 [38.96]	1.852	1.852
B25	PIN	2.088	1.511 [38.38]	1.511 [38.38]	1.852	1.852
C37	PIN	2.729	2.182 [54.42]	2.182 [54.42]	2.500	2.500
C37	PIN	2.729	2.159 [54.84]	2.159 [54.84]	2.500	2.500
	SOCKET					[63.50]
	SOCKET					[1.956]

Amphenol Canada Corp.

DATE: JAN05/09  
 DRAWN: K. LAMBIE  
 DESIGNED: \_\_\_\_\_  
 CHECKED: \_\_\_\_\_  
 L. E. APPRD. \_\_\_\_\_  
 G. A. APPRD. \_\_\_\_\_  
 DWG. APPRD. \_\_\_\_\_  
 ENG. REL. NO. \_\_\_\_\_  
 REF. EAR 13443  
 DIMENSIONS ARE IN INCHES [mm] 03554  
 SCALE 3/1 WT. \_\_\_\_\_ SURF. \_\_\_\_\_ SHEET 1 OF 1  
 REV. D  
 FCE17 SERIES FILTERED D-SUB CONNECTOR, PIN & SOCKET, RIGHT ANGLE .590 [14.99] F/P, NO MOUNTING BRACKET, ROHS COMPLIANT

CAPACITANCE SCHEMATIC FOR EACH POSITION



THIS DOCUMENT CONTAINS PROPRIETARY INFORMATION AND SUCH INFORMATION MAY NOT BE DISCLOSED TO OTHERS FOR ANY PURPOSE OR USED FOR MANUFACTURING PURPOSES WITHOUT WRITTEN PERMISSION FROM AMPHENOL CANADA CORP.

## X-ON Electronics

Largest Supplier of Electrical and Electronic Components

*Click to view similar products for [D-Sub Standard Connectors](#) category:*

*Click to view products by [Amphenol](#) manufacturer:*

Other Similar products are found below :

[DCM37S732N](#) [DAM15P500](#) [DEV09S364GTLF](#) [DEM09P032N](#) [DDM50P732N](#) [DAM15S332N](#) [173109-2218](#) [173109-2466](#) [173109-2436](#)  
[173109-2435](#) [56F706-005-LI](#) [56F711-015](#) [015-0341-000](#) [015-0372-008](#) [015-8544-011](#) [017041-0005](#) [020419-0104](#) [012-0515-000](#) [012-9507-](#)  
[034](#) [012-9507-114](#) [012-9534-001](#) [020745-0008](#) [609-25P](#) [M24308/2-23Z](#) [M243082310F](#) [M243082410F](#) [M243082411F](#) [M24308/4-21](#)  
[CT1A18-11PSA206](#) [CT1N36-5SC](#) [CT2-16S-17PS](#) [CT2-20-15PCAU](#) [CT2-24-12PS](#) [CT2-24-28PSF127A206](#) [CT2-32-9PC](#) [CT6F9767-14-4-](#)  
[14S-5PC](#) [CT6FA10SL-4PS](#) [CT7-18-10SC](#) [CT7-18-10SCAU](#) [CT7-18-12SCAU](#) [CT7-18-1PC](#) [CT7-18-1PCAU](#) [CT7-18-21SCAU](#) [M83513/01-](#)  
[FC](#) [M83723/76W24619 L/C](#) [M85049/48-3-2F](#) [69001-865](#) [6STD09PCM99B70X](#) [6STD09SCM99B30X](#) [6STD09SCT99S40X](#)