

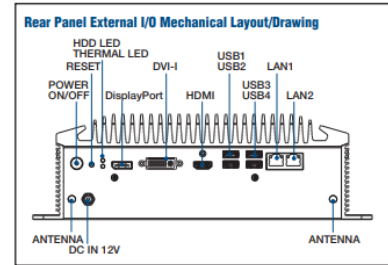
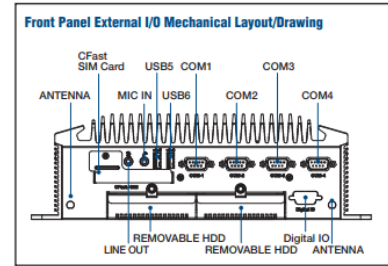
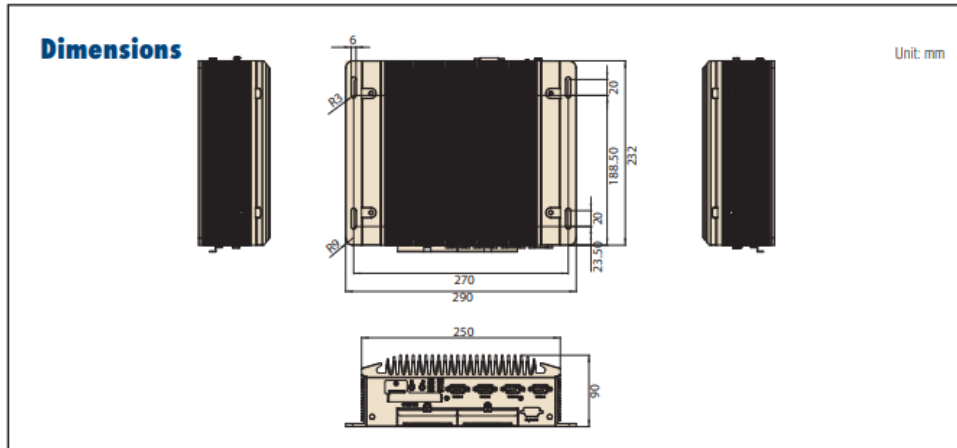
technical specifications

The Active Control™ Appliance is designed to run the SynapSense® Active Control™ Program and connect to a network in pairs. It receives data from the SynapSense® Environmental Server and sends control signals to cooling units or building management system to optimize power usage by cooling equipment.

performance specifications

Processor System	CPU (rPGA)	Intel Core i7-310QE
	Frequency	2-3Ghz (Quad Core)
	L3 Cache	6MB
	Watts	45 W
Memory	Technology	DCR3/DDR3L 1500 MHz
Graphics	CRT	VGA Integrated in DVI-I port
	DVI-I	1920 x 1200 @ 60 Hz
	HDMI	Support HDMI 1.4 1.4 1920 x 1200 @ 60HZ
	Display Port	2560 x 1600 @ 60 Hz (Video only, and only support on 3rd generation processor)
Ethernet	LAN1	10/100/1000 Mbps Intel 82579LM GbE, support Wake On Lan
	LAN2	10/100/1000 Mbps Intel 1-210iT GbE, support Wake On Lan
I/O Interface	Serial Port	2 x RS-232 ports, 2 RS-232/422/485 port with auto flow control
	USB	4 x USB 3.0 ports (USB1,2,3,4) and 2 x USB 2.0 ports (USB5,6)
Expansion	Mini PCIe	2 x Full-size Mini PCIe with SIM holder (supports mSATA)
Storage	HDD	Two 2.5" SATA removable HDD Bays with Maximum device height 9.5 mm, SATA III, Gen 3 Support (max. Data transfer rate 600 MB/s).
	Solid State Disk	1 x CFast Card

Panduit® SynapSense® Active Control™ Appliance



mechanical specifications

Power Requirements	Power Type				
	Power Input Voltage		12 Voc, ± 10% (9-34 Voc support by request)		
	Power Adapter		AC to DC, DC12V/7A, 84 (Optional)		
Power Consumption	Typical	19.2W	16.4W	14.8W	16.4W
	Max.	60W Max.: test with 100% CPU loading and HDU R/W access only	36.5W	30W	31.8W
Mechanical	Construction		Aluminum Housing		
	Mounting		Desk/wall-mounting		
	Dimensions (WxHxD)		290x90x232 mm (11.4' x 3.54' x9.13')		
	Weight		4.65kg		
Environment	Operating Temperature		With extended temp peripheral: -1D – 60°C with .7m/s air flow with HDD: 0-40° with .7m/s air flow		
	Storage Temperature		-40-80°C		
	Relative Humidity		95% @ 40° (non-condensing)		
	Vibration During Operation		With SSD: 3Gms, IES 60068-2-64, random, 5-500 Hz, 1 hr/axis		
	Shock During Operation		With SSD: 50 G, IEC 60068-2-27, half sine, 11 ms duration		
	EMC		CE/FCC Class A, BSMI		
	Safety		CB, UL, BSMI		

WORLDWIDE SUBSIDIARIES AND SALES OFFICES

PANDUIT US/CANADA
Phone: 800.777.3300

PANDUIT EUROPE LTD.
London, UK
Phone: 44.20.8601.7200

PANDUIT SINGAPORE PTE. LTD.
Republic of Singapore
Phone: 65.6305.7575

PANDUIT JAPAN
Tokyo, Japan
Phone: 81.3.6863.6000

PANDUIT LATIN AMERICA
Guadalajara, Mexico
Phone: 52.33.3777.6000

PANDUIT AUSTRALIA PTY. LTD.
Victoria, Australia
Phone: 61.3.9794.9020

For a copy of Panduit product warranties, log on to www.panduit.com/warranty

For more information

Visit us at www.panduit.com

iai@panduit.com

PANDUIT®

©2018 Panduit Corp.
ALL RIGHTS RESERVED.
PVDS14--SA-ENG
4/2018

X-ON Electronics

Largest Supplier of Electrical and Electronic Components

Click to view similar products for [Racks & Rack Cabinet Accessories](#) category:

Click to view products by [Panduit](#) manufacturer:

Other Similar products are found below :

[CR-1727](#) [M00-PLN](#) [F2420](#) [F2424](#) [8310-1032-SS](#) [9104](#) [PLFF2000](#) [PLFF6000](#) [GP216](#) [PTFA60000LG](#) [H-9163-B](#) [AC220-84-1](#) [HEH050BA](#)
[1427C3](#) [BAS-5104](#) [N-700-2](#) [190-002](#) [HTL10](#) [HTS10](#) [PC-118](#) [PC-780L](#) [PC-79](#) [PC-800](#) [SC4-28](#) [F3024](#) [AKWAMT](#) [PLFF1000](#) [GRPB12PG](#)
[CG3-340S/12](#) [2CWDP36](#) [2CWDP48](#) [2SSHINGE](#) [CP-001BK](#) [CPL19431LG1](#) [R570-004-107](#) [M6123-4007-SS](#) [TS170](#) [531300535](#) [BRX-](#)
[12290](#) [C4BD3077SBK1](#) [UPS 7-17-14 PLAIN](#) [LP40](#) [5261304-07](#) [CCA26-44-01](#) [706-102](#) [CG3-160G](#) [7112C-PLN ALUM](#) [CM10](#) [TS81](#) [7142](#)