

2

1

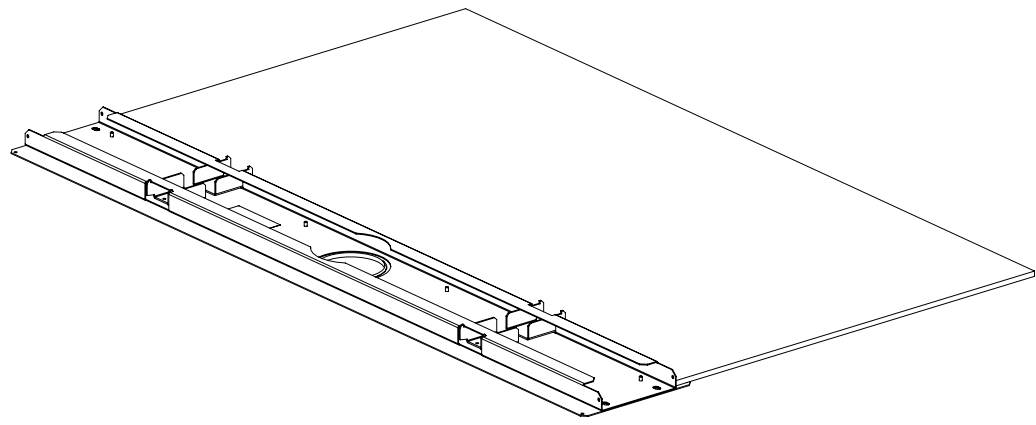
THIS COPY IS PROVIDED ON A RESTRICTED BASIS AND IS NOT TO BE USED IN ANY WAY DETRIMENTAL TO THE INTERESTS OF PANDUIT CORP.

PANDUIT P/N	DESCRIPTION	WEIGHT
CUSRRFS06**	NET-CONTAIN USRC-ROOF PANEL 600mm	3.0 Kg (6.8 LBS)
CUSRRFS07**	NET-CONTAIN USRC-ROOF PANEL 700mm	3.2 Kg (7.1 LBS)
CUSRRFS08**	NET-CONTAIN USRC-ROOF PANEL 800mm	3.4 Kg (7.4 LBS)

\*\* DENOTES COLOR - ADD SUFFIX:  
 "B1" FOR BLACK AND "W1" FOR WHITE.

NOTES:

- VISIT OUR ONLINE CATALOG AT [WWW.PANDUIT.COM](http://WWW.PANDUIT.COM) FOR A LIST OF CURRENT PARTS APPLICABLE FOR USE WITH THIS PRODUCT.
- PARTS SUPPLIED:
  - 1 - AISLE BEAM
  - 1 - ROOF PANEL
  - 1 - HARDWARE KIT
  - 1 - INSTRUCTION SHEET
- PRIMARY DIMENSIONS ARE IN MILLIMETERS.



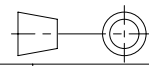
B

B



A

A

						TITLE <b>NET-CONTAIN USRC ROOF PANEL FINISHED GOOD (CUSRRFS0***)</b> CUSTOMER DRAWING						
						ITEM REVISION NAME <b>14V467AM/00</b>			<b>PANDUIT</b>			
						DATASET FILE NAME <b>14V467AM/DC_00A</b>						
						MATERIAL: <b>N/A</b>						
						DRAWING NUMBER: <b>14V467AM-DC</b>						
00A	11/26/15	MEX-JAGC			RELEASED TO PRODUCTION	V09000PB	 THIRD ANGLE PROJECTION					
REV	DATE	BY	CHK	APR	DESCRIPTION	ECN	DRAWN BY MEX-JAGC	DATE 11/26/15	CHK	SCALE NONE	SHT 1 OF 2	SIZE A

2

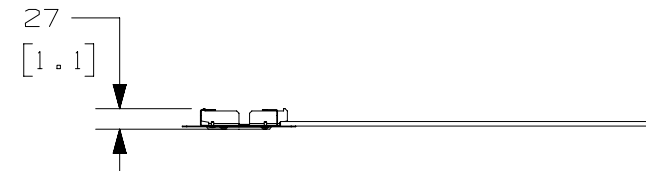
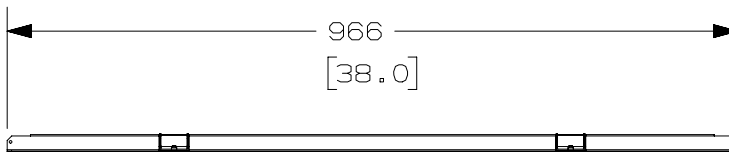
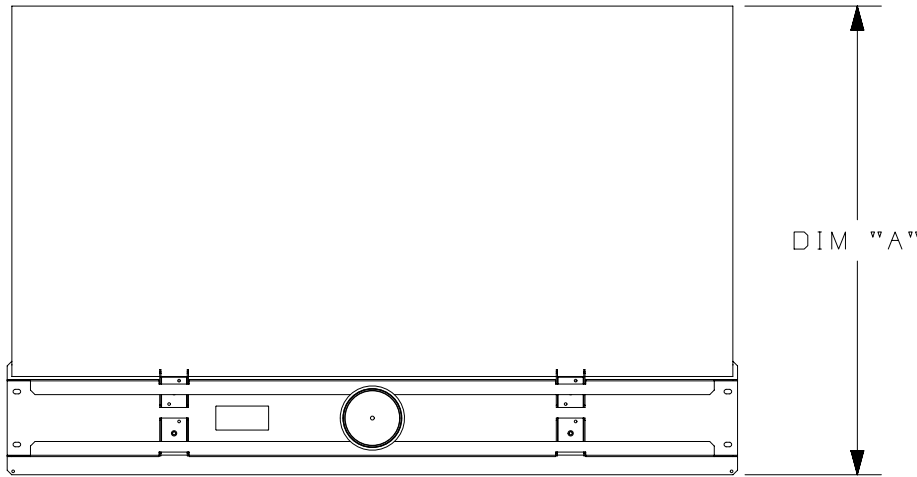
1

D10100DA/16

THIS COPY IS PROVIDED ON A RESTRICTED BASIS AND IS NOT TO BE USED IN ANY WAY DETRIMENTAL TO THE INTERESTS OF PANDUIT CORP.

PANDUIT P/N	DIM "A"
CUSRRFS06**	620.0 (24.41)
CUSRRFS07**	720.0 (28.35)
CUSRRFS08**	820.0 (32.28)

\*\* DENOTES COLOR - ADD SUFFIX:  
"B1" FOR BLACK AND "W1" FOR WHITE.



REV	DATE	BY	CHK	APR	DESCRIPTION	ECN
00A	11/26/15	MEX-JAGC			RELEASED TO PRODUCTION	V09000PB

TITLE		NET-CONTAIN USRC ROOF PANEL FINISHED GOOD (CUSRRFS0***)		
		CUSTOMER DRAWING		
ITEM REVISION NAME		14V467AM/00		
DATASET FILE NAME		14V467AM/DC_00A		
MATERIAL:		N/A		
DRAWING NUMBER:		14V467AM-DC		
DRAWN BY	DATE	CHK	SCALE	SIZE
MEX-JAGC	11/26/15		NONE	A
THIRD ANGLE PROJECTION		SHT 2 OF 2		

D1101000DA/16

## X-ON Electronics

Largest Supplier of Electrical and Electronic Components

*Click to view similar products for [Racks & Rack Cabinet Accessories](#) category:*

*Click to view products by [Panduit](#) manufacturer:*

Other Similar products are found below :

[CR-1727](#) [M00-PLN](#) [F2420](#) [F2424](#) [8310-1032-SS](#) [9104](#) [PLFF2000](#) [PLFF6000](#) [GP216](#) [PTFA60000LG](#) [H-9163-B](#) [AC220-84-1](#) [HEH050BA](#)  
[1427C3](#) [BAS-5104](#) [N-700-2](#) [190-002](#) [HTL10](#) [HTS10](#) [PC-118](#) [PC-780L](#) [PC-79](#) [PC-800](#) [SC4-28](#) [F3024](#) [AKWAMT](#) [PLFF1000](#) [GRPB12PG](#)  
[CG3-340S/12](#) [2CWDP36](#) [2CWDP48](#) [2SSHINGE](#) [CP-001BK](#) [CPL19431LG1](#) [R570-004-107](#) [M6123-4007-SS](#) [TS170](#) [531300535](#) [BRX-](#)  
[12290](#) [C4BD3077SBK1](#) [UPS 7-17-14 PLAIN](#) [LP40](#) [5261304-07](#) [CCA26-44-01](#) [706-102](#) [CG3-160G](#) [7112C-PLN ALUM](#) [CM10](#) [TS81](#) [7142](#)