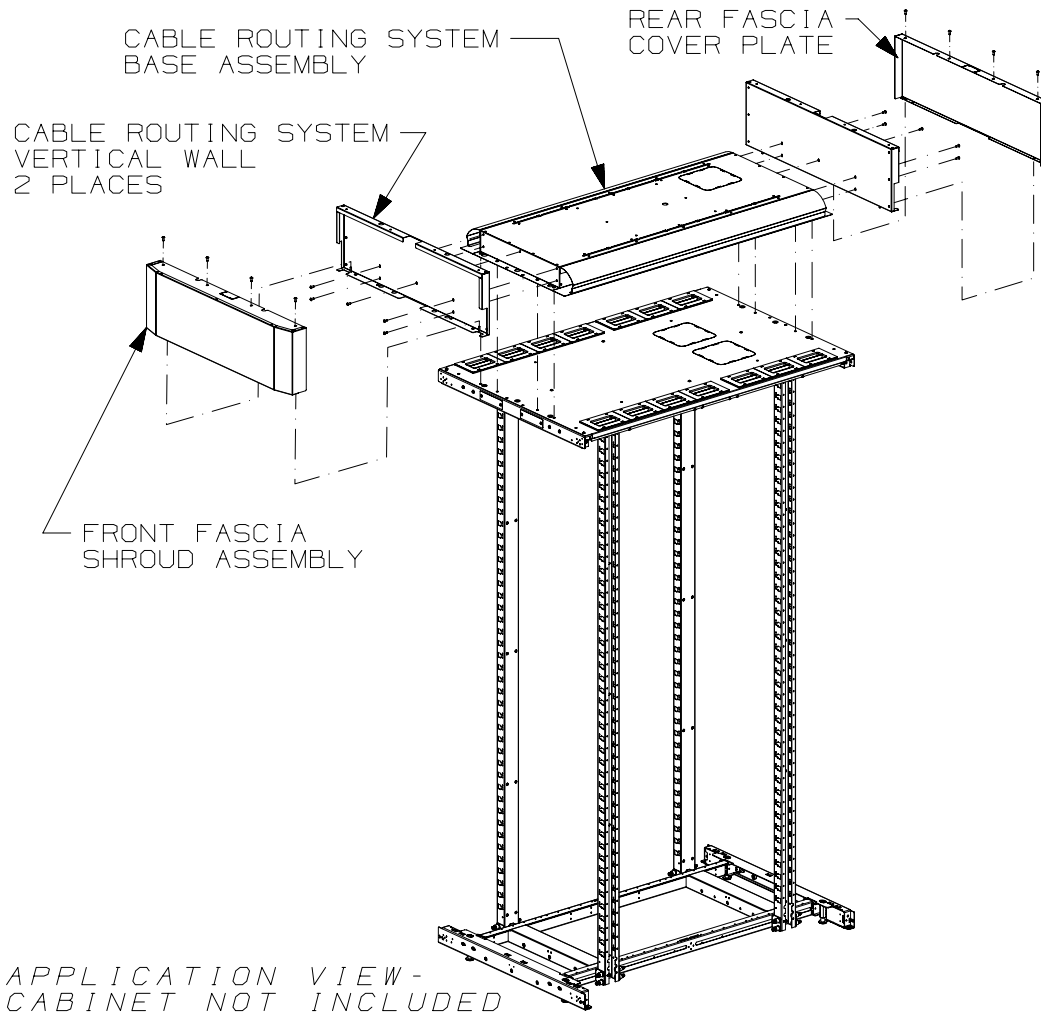


THIS COPY IS PROVIDED ON A RESTRICTED BASIS AND IS NOT TO BE USED IN ANY WAY DETRIMENTAL TO THE INTERESTS OF PANDUIT CORP.



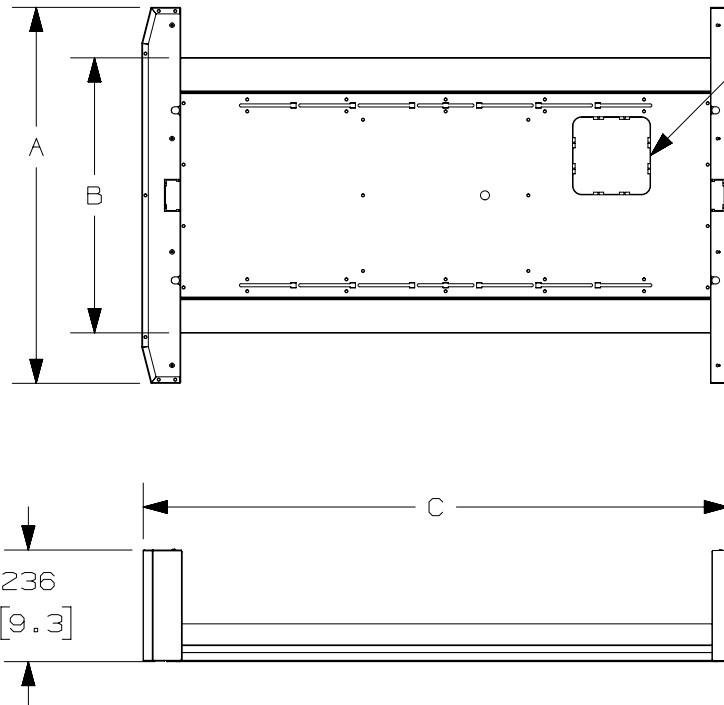
PANDUIT PART NO.	WEIGHT
STH61B	20.0 LBS/EACH [9.1 Kg/EACH]
STH62B	21.0 LBS/EACH [9.5 Kg/EACH]
STH71B	21.0 LBS/EACH [9.5 Kg/EACH]
STH72B	22.0 LBS/EACH [10.0 Kg/EACH]
SNTH81B	24.0 LBS/EACH [10.9 Kg/EACH]
SNTH82B	25.0 LBS/EACH [11.3 Kg/EACH]

- VISIT OUR ON-LINE CATALOG AT WWW.PANDUIT.COM FOR A LIST OF CURRENT PARTS APPLICABLE FOR USE WITH THIS PRODUCT.
- PRIMARY DIMENSIONS ARE IN MILLIMETERS.
- CABLE ROUTING ADD-ON SYSTEM CAN BE USED WITH ALL STANDARD NET-ACCESS CABINETS TO HELP PROTECT, ROUTE, AND MANAGE LARGE QUANTITIES OF DATA CABLING.
- PARTS SUPPLIED:
 2- CABLE ROUTING SYSTEM VERTICAL WALLS
 1- REAR FASCIA COVER PLATE
 1- FRONT FASCIA SHROUD ASSEMBLY
 1- CABLE ROUTING SYSTEM BASE ASSEMBLY
 1- HARDWARE KIT
 1- INSTRUCTION SHEET
- FULLY BONDED STRUCTURE WHEN ASSEMBLED PER INSTRUCTIONS.
- PART NUMBER SHOWN AS BLACK. REPLACE "B" WITH "W" FOR WHITE, "G" FOR GRAY

APPLICATION VIEW - CABINET NOT INCLUDED

REV	DATE	BY	CHK	APR	DESCRIPTION	ECN	TITLE				DRAWING NUMBER:		
							CABINET TOP CABLE ROUTING SYSTEM ADD-ON KIT (S*TH**B) CUSTOMER DRAWING						
							ITEM REVISION NAME 14V427G0/00						MATERIAL: N/A
							DATASET FILE NAME 14V427G0_DC_00B				DRAWING NUMBER: 14V427G0-DC		
00B	01-29-16	SSP	BRAP		A. REVISE TITLEBLOCK TO 'CUSTOMER' & INCLUDE PART NUMBER	V09000TN	THIRD ANGLE PROJECTION				SHT 1 OF 2		
00A	10-28-14	ROJC	ROJC	TCN	RELEASED TO PRODUCTION	V09000HM					SIZE A		
REV	DATE	BY	CHK	APR	DESCRIPTION	ECN	DRAWN BY ROJC	DATE 10-28-14	CHK TCN	SCALE NONE	SHT 1 OF 2		SIZE A

THIS COPY IS PROVIDED ON A RESTRICTED BASIS AND IS NOT TO BE USED IN ANY WAY DETRIMENTAL TO THE INTERESTS OF PANDUIT CORP.



165mm X 165mm
KNOCKOUT COMPATIBLE
W/COOL BOOT P/N: CTGN6X6

PANDUIT PART NO.	A	B	C
STH61B	596 [23.5]	482 [19.0]	1086 [42.8]
STH62B	596 [23.5]	482 [19.0]	1238 [48.8]
STH71B	696 [27.4]	482 [19.0]	1086 [42.8]
STH72B	696 [27.4]	482 [19.0]	1238 [48.8]
SNTH81B	796 [31.3]	582 [22.9]	1086 [42.8]
SNTH82B	796 [31.3]	582 [22.9]	1238 [48.8]

REV	DATE	BY	CHK	APR	DESCRIPTION	ECN
00B	01-29-16	SSP	BRAP		SEE SHEET ONE FOR REVISIONS	V09000TN
00A	10-28-14	ROJC	ROJC	TCN	SEE SHEET ONE FOR REVISIONS	V09000HM

TITLE		CABINET TOP CABLE ROUTING SYSTEM ADD-ON KIT (S*TH**B)	
ITEM REVISION NAME		14V427G0/00	
DATASET FILE NAME		14V427G0_DC_00B	
MATERIAL:		N/A	
DRAWING NUMBER:		14V427G0-DC	
THIRD ANGLE PROJECTION			
DRAWN BY	DATE	CHK	SCALE
ROJC	10-28-14	TCN	NONE
SHT 2 OF 2			A

X-ON Electronics

Largest Supplier of Electrical and Electronic Components

Click to view similar products for [Racks & Rack Cabinet Accessories](#) category:

Click to view products by [Panduit](#) manufacturer:

Other Similar products are found below :

[CR-1727](#) [M00-PLN](#) [F2420](#) [F2424](#) [8310-1032-SS](#) [9104](#) [PLFF2000](#) [PLFF6000](#) [GP216](#) [PTFA60000LG](#) [H-9163-B](#) [AC220-84-1](#) [HEH050BA](#)
[1427C3](#) [BAS-5104](#) [N-700-2](#) [190-002](#) [HTL10](#) [HTS10](#) [PC-118](#) [PC-780L](#) [PC-79](#) [PC-800](#) [SC4-28](#) [F3024](#) [AKWAMT](#) [PLFF1000](#) [GRPB12PG](#)
[CG3-340S/12](#) [2CWDP36](#) [2CWDP48](#) [2SSHINGE](#) [CP-001BK](#) [CPL19431LG1](#) [R570-004-107](#) [M6123-4007-SS](#) [TS170](#) [531300535](#) [BRX-](#)
[12290](#) [C4BD3077SBK1](#) [UPS 7-17-14 PLAIN](#) [LP40](#) [5261304-07](#) [CCA26-44-01](#) [706-102](#) [CG3-160G](#) [7112C-PLN ALUM](#) [CM10](#) [TS81](#) [7142](#)