

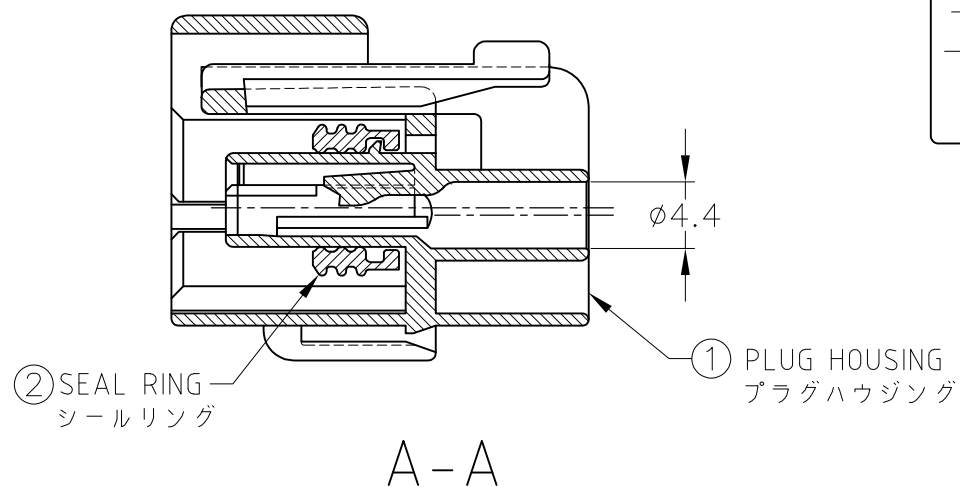
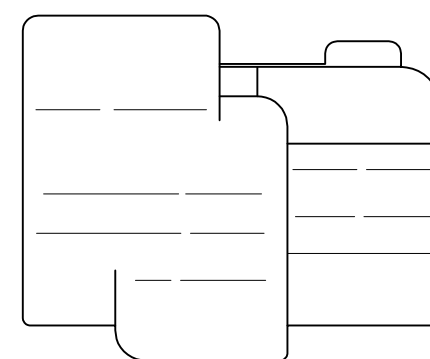
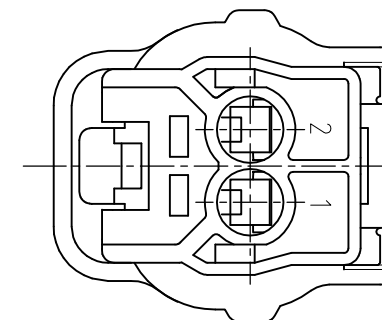
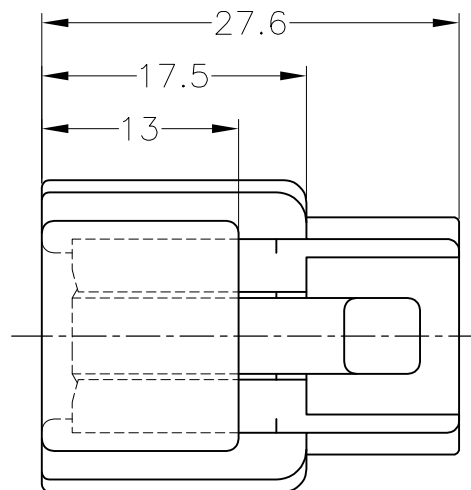
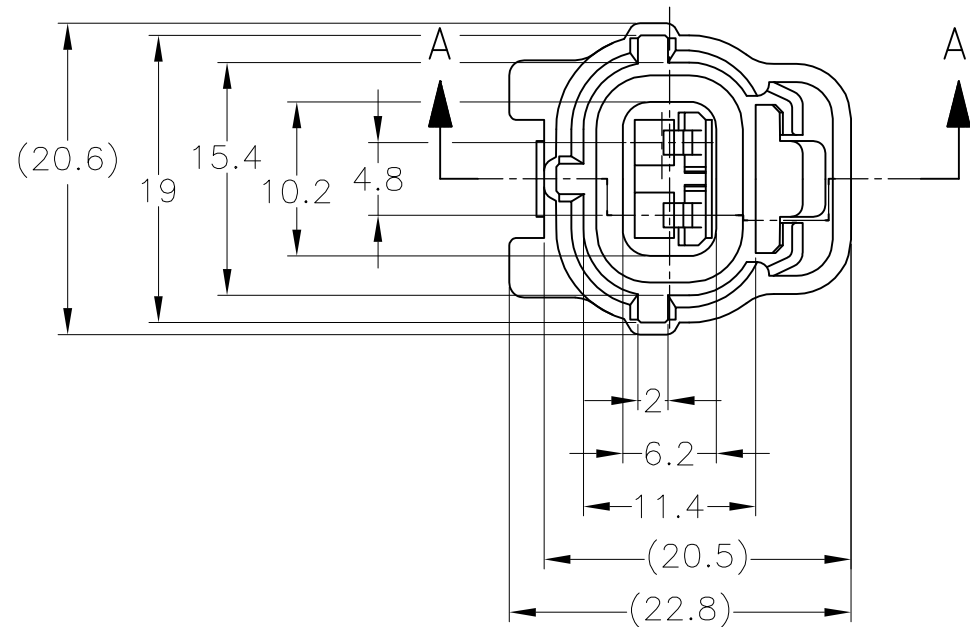
THIS DRAWING IS UNPUBLISHED.

RELEASED FOR PUBLICATION JUN,2014 .-

© COPYRIGHT 2014 Tyco Electronics Japan G.K.

ALL RIGHTS RESERVED.

LOC	DIST	REVISIONS					
J	-	P	LTR	DESCRIPTION	DATE	DWN	APVD
		A		RELEASED	06AUG14	DM	TK



- 1. 嵌合相手型番：174354, 173063
- 2. 本品はプラグハウジング単体にシールリングがアッセンブリされたものである。
- 3. 本品はダブルロックプレート型番 174353を装着して使用する。
- ④ シールリングはフタル酸フリー品である。

- 1. FOR CAP HOUSING PN 174354 AND 173063
- 2. THIS PART IS COMPOSED OF PLUG HOUSING AND SEAL RING
- 3. THIS PART MUST BE USED WITH DOUBLE LOCK PLATE PN 174353
- ④ SEAL RING IS NON-BIS TYPE

NBR④/BLACK	PBT/GRAY	2822348-2
NBR④/BLACK	PBT/BLACK	2822348-1
② SEAL RING	① PLUG HOUSING	PART NUMBER
MATERIAL / COLOR		

WIRE RANGE 抱合電線断面積	INSULATION DIA 被覆外径
-	-

THIS DRAWING IS A CONTROLLED DOCUMENT.		DWN D.MATSUURA 06AUG2014
DIMENSIONS: 単位：耗 mm		CHK S.IWATANI 06AUG2014
TOLERANCES UNLESS OTHERWISE SPECIFIED: 一般公差		APVD T.KOHNO 06AUG2014
0 PLC ±-		PRODUCT SPEC 製品規格 108-5262
1 PLC ±-		APPLICATION SPEC 取付適用規格
2 PLC ±-		WEIGHT 5.2g
3 PLC ±-		SIZE A3
4 PLC ±-		CAGE CODE 00779
ANGLES ±-		DRAWING NO C-2822348
FINISH 仕上		RESTRICTED TO -
MATERIAL 材料 SEE TABLE		SCALE 尺度 2:1
		SHEET 1 OF 2
		REV A

TOLERANCE UNLESS OTHERWISE SPECIFIED: 一般公差	
0 < x ≤ 10	: ±0.2
10 < x ≤ 30	: ±0.25
30 < x ≤ 100	: ±0.3
ANGLE ; 角度	: ±3°

STE TE Connectivity

2Pos. ECONOSEAL J-MARKII+ CONNECTOR
PLUG HOUSING

THIS DRAWING IS UNPUBLISHED.

RELEASED FOR PUBLICATION

-. -. .

© COPYRIGHT - Tyco Electronics Japan G.K.

ALL RIGHTS RESERVED.

LOC
J

DIST
-

REVISIONS

変更

DESCRIPTION

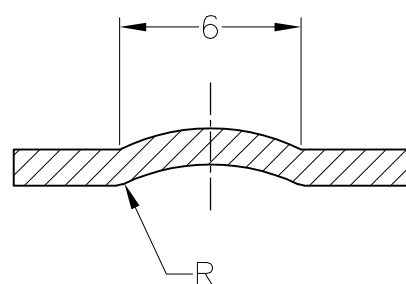
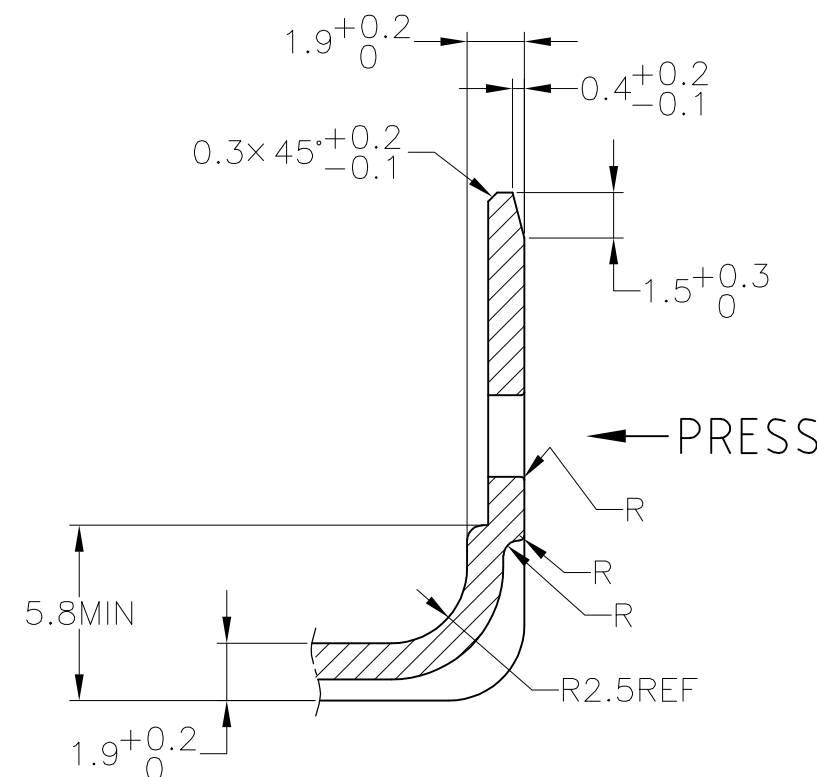
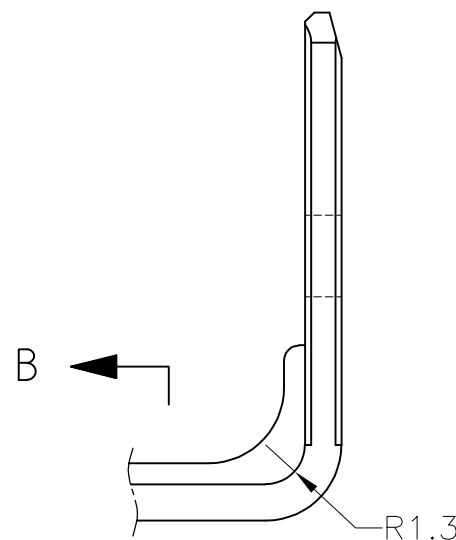
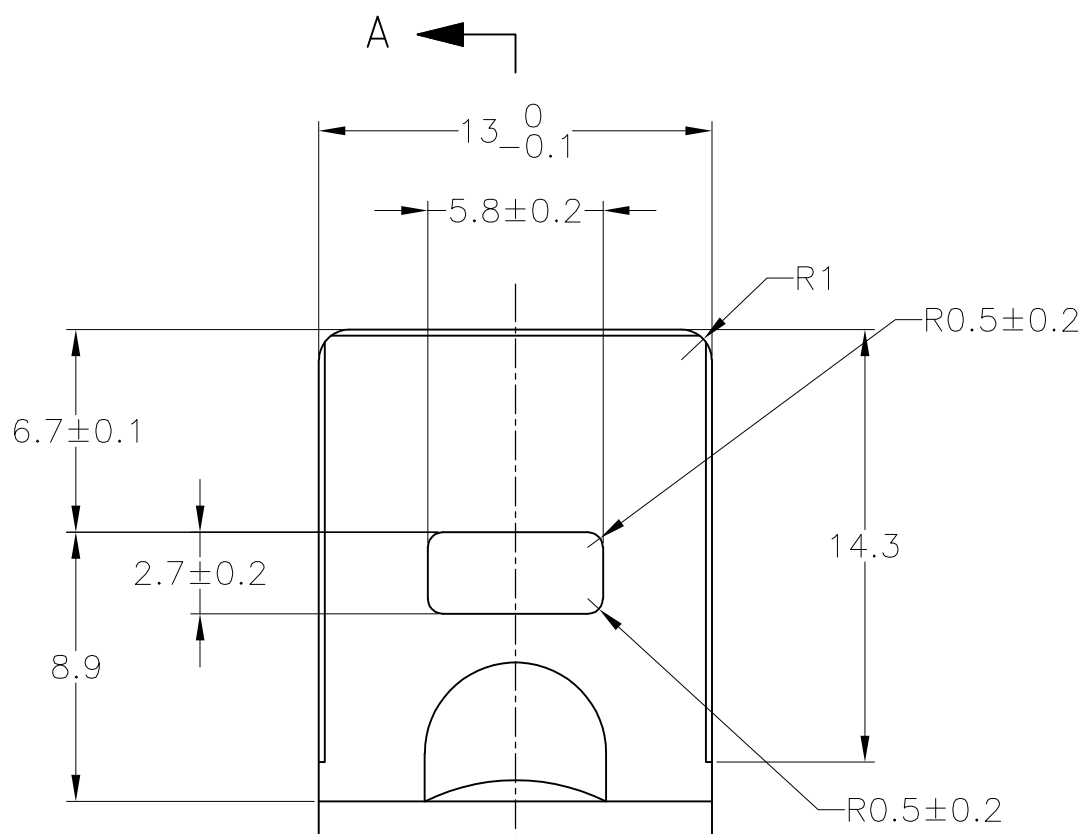
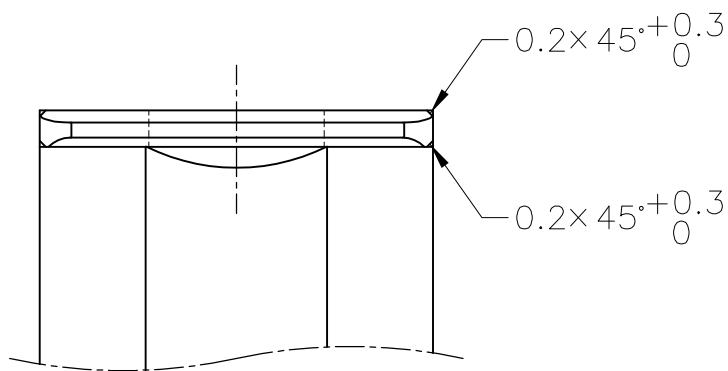
DATE

DWN

APVD

P LTR

SEE SHEET 1



t = 1.2 ± 0.08

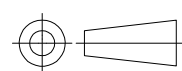
TOLERANCE UNLESS OTHERWISE SPECIFIED:
一般公差

0 < x ≤ 10	: ±0.2
10 < x ≤ 30	: ±0.25
30 < x ≤ 100	: ±0.3
ANGLE ; 角度	: ±3°

THIS DRAWING IS A CONTROLLED DOCUMENT.

DIMENSIONS:
単位: 耗
mm

TOLERANCES UNLESS OTHERWISE SPECIFIED:
一般公差



0 PLC	± -
1 PLC	± -
2 PLC	± -
3 PLC	± -
4 PLC	± -
ANGLES	± -
FINISH	仕上

MATERIAL
材料

DWN 06AUG2014

D.MATSUURA

CHK 06AUG2014

S.IWATANI

APVD 06AUG2014

T.KOHNO

PRODUCT SPEC

製品規格

APPLICATION SPEC

取付適用規格

WEIGHT

NAME

名称

STE TE Connectivity

2Pos. ECONOSEAL J-MARKII+ CONNECTOR
PLUG HOUSING

SIZE

CAGE CODE

DRAWING NO

番号

RESTRICTED TO

A3

00779

C-2822348

SCALE
尺度 4:1

SHEET
2 OF 2

REV
A

CUSTOMER DRAWING

X-ON Electronics

Largest Supplier of Electrical and Electronic Components

Click to view similar products for [Automotive Connectors](#) category:

Click to view products by [TE Connectivity](#) manufacturer:

Other Similar products are found below :

[003-018-000](#) [600858](#) [60403001](#) [60993906-B](#) [60993913-B](#) [629515004020001](#) [M902-2131](#) [M902-2161](#) [M902-2344](#) [72.330.1035.1](#)
[73.353.4028.0](#) [F118010](#) [F119300-B](#) [F132210](#) [F132210-B](#) [F166900](#) [F180100](#) [F258300](#) [F258300-B](#) [F294300-B](#) [F339100](#) [F339700](#) [F358300-](#)
[B](#) [F374110](#) [F407400](#) [F412210](#) [F427600](#) [F444110](#) [F487000](#) [F495100-B](#) [F500900-B](#) [F509500B-B](#) [770444-1](#) [776880-1](#) [827153-1](#) [881735-1](#)
[8N1515-32-24P](#) [9-1326727-8](#) [9-1326729-8](#) [925467-1](#) [925474-1](#) [928905-1](#) [936398-2](#) [964562-1](#) [964562-4](#) [964731-2](#) [965051-1](#) [968782-1](#)
[GT17SA-8DS-HU](#) [GT17VS-10DP-5.2CF](#)