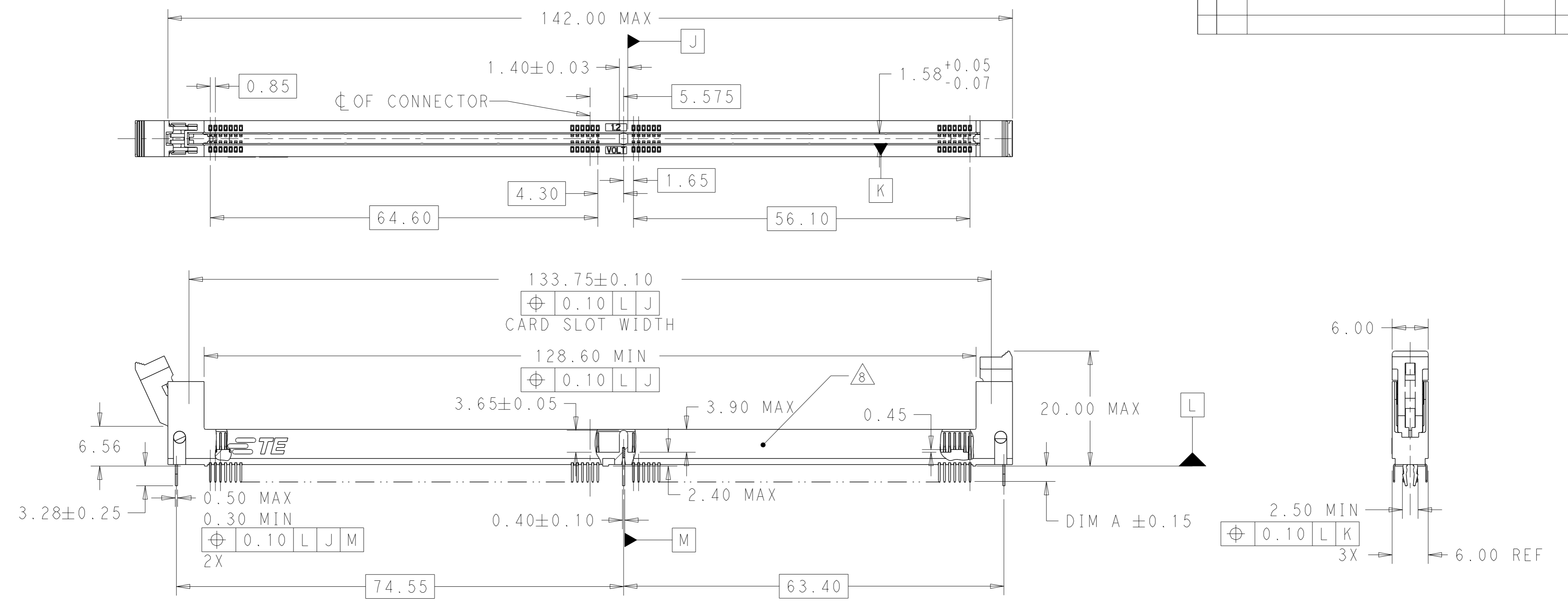


THIS DRAWING IS UNPUBLISHED. RELEASED FOR PUBLICATION 20  
 © COPYRIGHT 20 TE CONNECTIVITY ALL RIGHTS RESERVED.

LOC	DIST	REVISIONS			
P	LTR	DESCRIPTION	DATE	DWN	APVD
	C	REVISED PER ECR-17-012913	12SEP2017	D.Z	S.L



1 MATERIALS:

HOUSING: HIGH TEMPERATURE NYLON, UL94 V-0  
 EXTRACTOR: HIGH TEMPERATURE THERMOPLASTIC, UL94 V-0  
 CONTACTS: COPPER ALLOY  
 RETENTION BARB: STAINLESS STEEL

2 INTERFACE FINISH:

(1) 0.00076 MIN THK GOLD OVER 0.00127 MIN THK NICKEL.  
 (2) 0.00038 MIN THK GOLD OVER 0.00127 MIN THK NICKEL.  
 (3) 0.00050 MIN THK GOLD OVER 0.00228 MIN THK NICKEL.

3 SOLDER TAIL FINISH:

0.00300 MIN THK MATTE TIN OVER 0.00127 MIN THK NICKEL.

4 KEEP OUT ZONE.

5 KEEP OUT AREA RESERVED FOR SOCKET EXTRACTORS, BOTH ENDS.

6 FINISHED HOLE SIZE. 0.15 MAXIMUM ANNULAR RING.

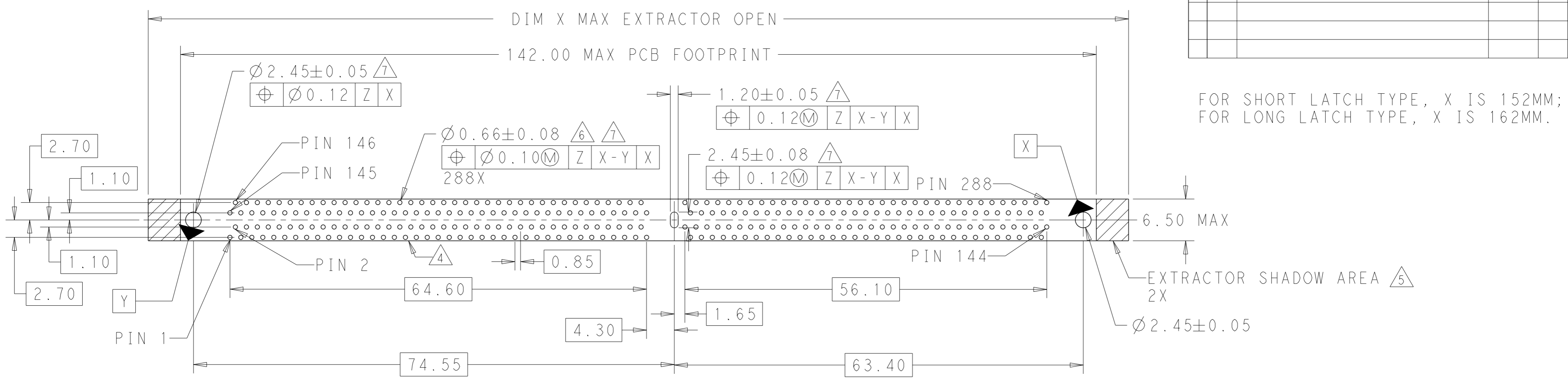
7 DATUM [Z] IS CONNECTOR SIDE SURFACE OF PCB.

8 5 DIGIT DATE CODE (YYWWD) LOCATED AS SHOWN.

THIS DRAWING IS A CONTROLLED DOCUMENT.		DWN RICHARD MA 18MAR2013		
DIMENSIONS: mm		CHK SIMON LI 18MAR2013		
TOLERANCES UNLESS OTHERWISE SPECIFIED:		APVD COREI WANG 18MAR2013	NAME SOCKET ASSEMBLY	
0 PLC ±1		PRODUCT SPEC 108-115067	DDR4 DIMM, T/H TYPE	
1 PLC ±0.25		APPLICATION SPEC 501-115076	288 POSITION	
2 PLC ±0.15		WEIGHT -	SIZE A200779	CAGE CODE C=2199154
3 PLC ±0.10		MATERIAL -	SCALE 1:1	SHEET 1 OF 7
4 PLC ±		CUSTOMER DRAWING	RESTRICTED TO -	REV C
ANGLES ±				
FINISH ±				

THIS DRAWING IS UNPUBLISHED. RELEASED FOR PUBLICATION 20  
 © COPYRIGHT 20 TE CONNECTIVITY ALL RIGHTS RESERVED.

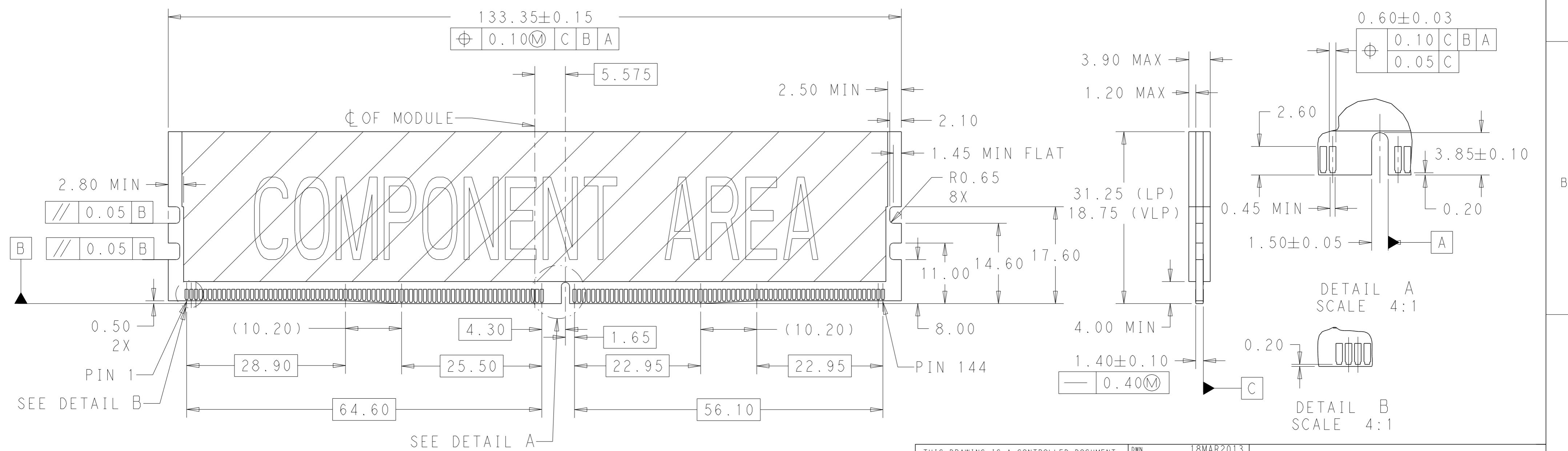
LOC		DIST		REVISIONS			
P	LTR	DESCRIPTION	DATE	DWN	APVD		
-	-	SEE SHEET 1	-	-	-		



FOR SHORT LATCH TYPE, X IS 152MM;  
 FOR LONG LATCH TYPE, X IS 162MM.

### RECOMMENDED PCB LAYOUT

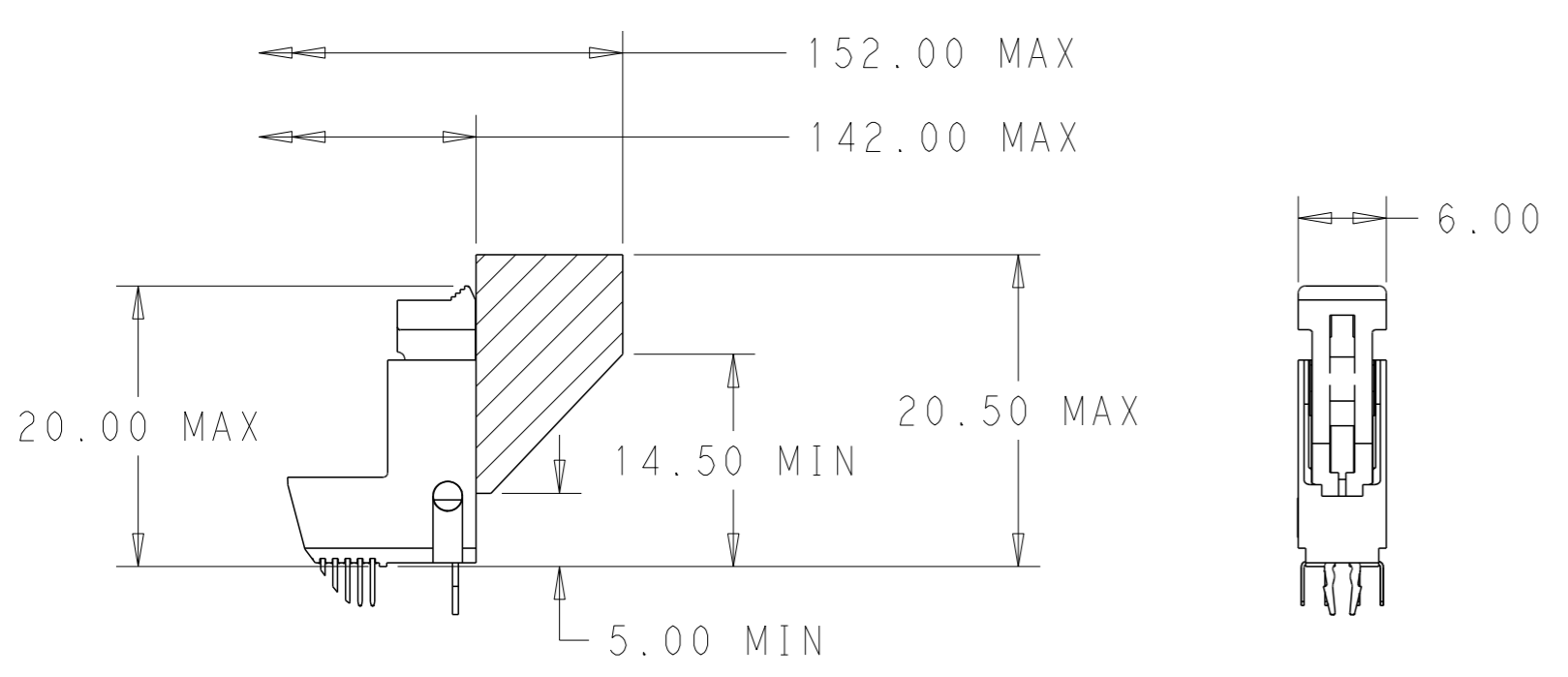
VIEWED FROM CONNECTOR SIDE



### RECOMMENDED MODULE LAYOUT

THIS DRAWING IS A CONTROLLED DOCUMENT.		DWN RICHARD MA 18MAR2013	TE Connectivity	
DIMENSIONS: mm		CHK SIMON LI 18MAR2013		
TOLERANCES UNLESS OTHERWISE SPECIFIED:		APVD COREL WANG 18MAR2013	NAME SOCKET ASSEMBLY DDR4 DIMM, T/H TYPE 288 POSITION	
$\begin{matrix} \oplus \\ \oplus \end{matrix} \varnothing$		PRODUCT SPEC 108-115067	SIZE CAGE CODE DRAWING NO RESTRICTED TO	
0 PLC $\pm 1$ 1 PLC $\pm 0.25$ 2 PLC $\pm 0.15$ 3 PLC $\pm 0.10$ 4 PLC $\pm$ ANGLES $\pm$ FINISH $\pm$		APPLICATION SPEC 501-115076	A200779 C=2199154	
MATERIAL		WEIGHT	SCALE 1:1 SHEET 2 OF 7 REV C	
		CUSTOMER DRAWING		

LOC		DIST		REVISIONS			
P	LTR	DESCRIPTION		DATE	DWN	APVD	
-	-	SEE SHEET 1		-	-	-	



SHORT LATCH TYPE

SOFT TRAY	BOARD LOCK	BLUE(2935U)	BLUE(2935U)	0.00038 MIN	2.10	9-2199154-6
SOFT TRAY	BOARD LOCK	NATURAL	BLUE(2935U)	0.00038 MIN	2.10	9-2199154-3
SOFT TRAY	BOARD LOCK	NATURAL	GREEN(375C)	0.00038 MIN	2.67	9-2199154-2
SOFT TRAY	BOARD LOCK	GREEN(375C)	BLACK	0.00076 MIN	2.10	8-2199154-9
SOFT TRAY	BOARD LOCK	NATURAL	BLUE(2935U)	0.00038 MIN	2.67	8-2199154-8
SOFT TRAY	BOARD LOCK	NATURAL	YELLOW(107C)	0.00076 MIN	3.18	8-2199154-7
SOFT TRAY	BOARD LOCK	NATURAL	YELLOW(107C)	0.00038 MIN	3.18	8-2199154-6
SOFT TRAY	BOARD LOCK	NATURAL	BLUE(2935U)	0.00076 MIN	3.18	8-2199154-4
SOFT TRAY	BOARD LOCK	GREEN(375C)	BLACK	0.00050 MIN	3.18	8-2199154-3
SOFT TRAY	BOARD LOCK	NATURAL	BLUE(2935U)	0.00038 MIN	3.18	8-2199154-2
SOFT TRAY	BOARD LOCK	GREEN(375C)	BLACK	0.00076 MIN	2.67	8-2199154-1
SOFT TRAY	BOARD LOCK	BLUE(2935U)	BLUE(2935U)	0.00038 MIN	2.67	7-2199154-9
SOFT TRAY	BOARD LOCK	NATURAL	YELLOW(107C)	0.00076 MIN	2.67	6-2199154-9
SOFT TRAY	BOARD LOCK	BLUE(2935U)	BLUE(2935U)	0.00038 MIN	3.18	6-2199154-6
SOFT TRAY	BOARD LOCK	BLACK	BLACK	0.00076 MIN	3.18	6-2199154-4
SOFT TRAY	BOARD LOCK	NATURAL	BLACK	0.00076 MIN	3.18	6-2199154-0
SOFT TRAY	BOARD LOCK	BLACK	BLACK	0.00050 MIN	3.18	5-2199154-2
SOFT TRAY	BOARD LOCK	NATURAL	BLACK	0.00050 MIN	3.18	5-2199154-1
SOFT TRAY	BOARD LOCK	NATURAL	NATURAL	0.00076 MIN	3.18	2-2199154-6
SOFT TRAY	BOARD LOCK	NATURAL	NATURAL	0.00038 MIN	3.18	2-2199154-5
SOFT TRAY	BOARD LOCK	BLACK	BLACK	0.00038 MIN	3.18	2-2199154-3
SOFT TRAY	BOARD LOCK	NATURAL	BLACK	0.00038 MIN	3.18	2-2199154-1
SOFT TRAY	BOARD LOCK	NATURAL	NATURAL	0.00076 MIN	2.10	1-2199154-6
SOFT TRAY	BOARD LOCK	NATURAL	BLACK	0.00038 MIN	2.10	1-2199154-5
SOFT TRAY	BOARD LOCK	BLACK	BLACK	0.00076 MIN	2.10	1-2199154-4
SOFT TRAY	BOARD LOCK	NATURAL	NATURAL	0.00038 MIN	2.10	1-2199154-3
SOFT TRAY	BOARD LOCK	NATURAL	BLACK	0.00076 MIN	2.10	1-2199154-2
SOFT TRAY	BOARD LOCK	BLACK	BLACK	0.00038 MIN	2.10	1-2199154-1
SOFT TRAY	BOARD LOCK	NATURAL	NATURAL	0.00076 MIN	2.67	2199154-6
SOFT TRAY	BOARD LOCK	NATURAL	NATURAL	0.00038 MIN	2.67	2199154-5
SOFT TRAY	BOARD LOCK	BLACK	BLACK	0.00076 MIN	2.67	2199154-4
SOFT TRAY	BOARD LOCK	BLACK	BLACK	0.00038 MIN	2.67	2199154-3
SOFT TRAY	BOARD LOCK	NATURAL	BLACK	0.00076 MIN	2.67	2199154-2
SOFT TRAY	BOARD LOCK	NATURAL	BLACK	0.00038 MIN	2.67	2199154-1
PACKING STYLE	HOUSING STYLE	EXTRACTOR COLOR	HOUSING COLOR	CONTACT GOLD INTERFACE	DIM A	PART NUMBER

THIS DRAWING IS A CONTROLLED DOCUMENT.

DWN RICHARD MA 18MAR2013  
CHK SIMON LI 18MAR2013  
APVD COREL WANG 18MAR2013

**TE** TE Connectivity

NAME SOCKET ASSEMBLY  
DDR4 DIMM, T/H TYPE  
288 POSITION

PRODUCT SPEC 108-115067  
APPLICATION SPEC 501-115076

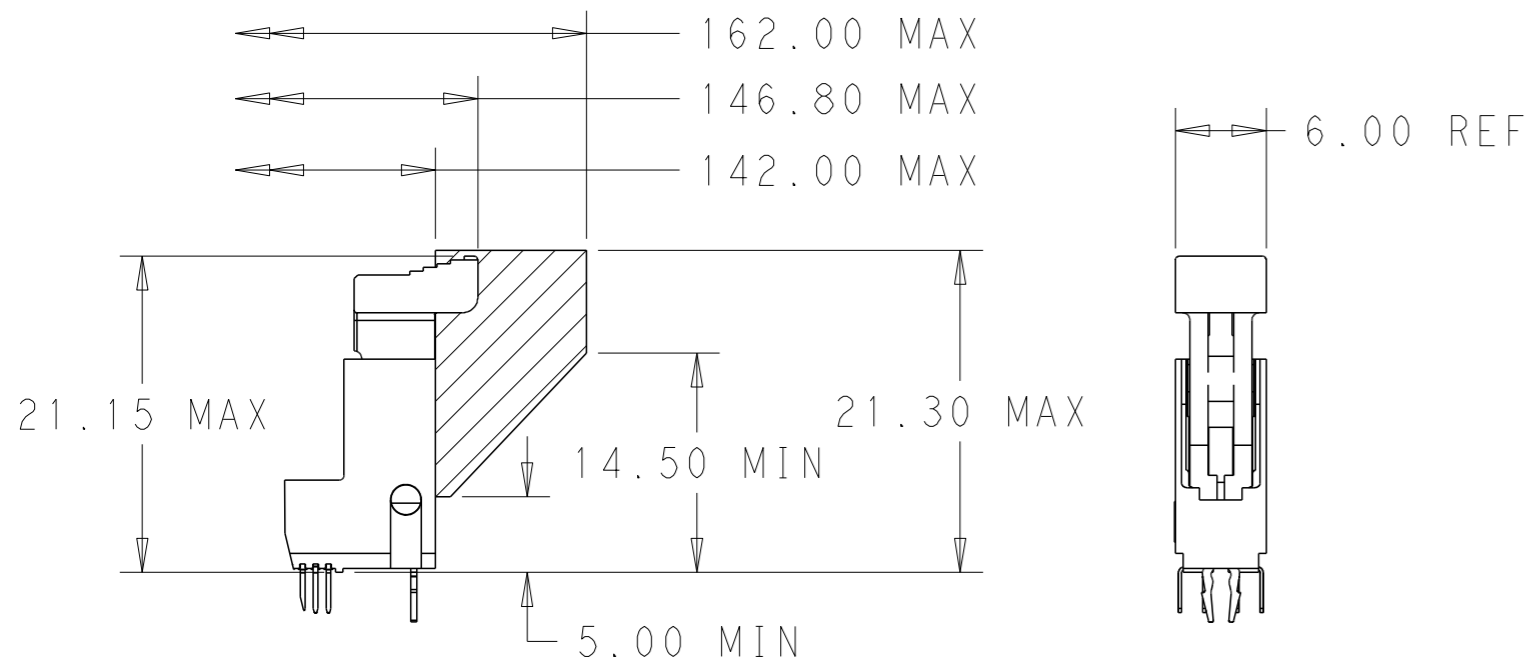
SIZE A200779 CAGE CODE C=2199154  
DRAWING NO. 2199154-3  
RESTRICTED TO -

SCALE 1:1 SHEET 3 OF 7 REV C

CUSTOMER DRAWING

THIS DRAWING IS UNPUBLISHED. RELEASED FOR PUBLICATION 20  
 © COPYRIGHT 20 TE CONNECTIVITY ALL RIGHTS RESERVED.

LOC		DIST		REVISIONS			
P	LTR	DESCRIPTION	DATE	DWN	APVD		
-	-						



LONG LATCH TYPE

SOFT TRAY	BOARD LOCK	NATURAL	GREEN(375C)	0.00076 MIN	3.18	9-2199154-9
SOFT TRAY	BOARD LOCK	NATURAL	YELLOW(107C)	0.00076 MIN	3.18	9-2199154-8
SOFT TRAY	BOARD LOCK	NATURAL	BLUE(2935U)	0.00076 MIN	3.18	9-2199154-7
SOFT TRAY	BOARD LOCK	NATURAL	GREEN(375C)	0.00038 MIN	2.10	9-2199154-5
SOFT TRAY	BOARD LOCK	NATURAL	BLUE(2935U)	0.00038 MIN	2.10	9-2199154-4
SOFT TRAY	BOARD LOCK	NATURAL	BLUE(2935U)	0.00038 MIN	3.18	9-2199154-0
SOFT TRAY	BOARD LOCK	BLUE(2935U)	BLUE(2935U)	0.00038 MIN	2.10	8-2199154-0
SOFT TRAY	BOARD LOCK	BLUE(2935U)	BLUE(2935U)	0.00038 MIN	2.67	7-2199154-8
SOFT TRAY	BOARD LOCK	BLACK	BLACK	0.00076 MIN	3.18	7-2199154-6
SOFT TRAY	BOARD LOCK	BLUE(2935U)	BLUE(2935U)	0.00038 MIN	3.18	7-2199154-5
SOFT TRAY	BOARD LOCK	NATURAL	NATURAL	0.00038 MIN	3.18	7-2199154-4
SOFT TRAY	BOARD LOCK	BLACK	BLACK	0.00038 MIN	3.18	7-2199154-3
SOFT TRAY	BOARD LOCK	NATURAL	BLACK	0.00038 MIN	2.67	6-2199154-8
SOFT TRAY	BOARD LOCK	NATURAL	BLUE(2935U)	0.00038 MIN	2.67	6-2199154-7
SOFT TRAY	BOARD LOCK	NATURAL	YELLOW(107C)	0.00038 MIN	2.67	6-2199154-5
SOFT TRAY	BOARD LOCK	NATURAL	BLACK	0.00038 MIN	3.18	6-2199154-1
SOFT TRAY	BOARD LOCK	BLACK	BLACK	0.00038 MIN	2.40	5-2199154-9
SOFT TRAY	BOARD LOCK	NATURAL	NATURAL	0.00038 MIN	2.40	5-2199154-8
SOFT TRAY	BOARD LOCK	BLACK	BLACK	0.00076 MIN	2.40	5-2199154-7
SOFT TRAY	BOARD LOCK	NATURAL	NATURAL	0.00076 MIN	2.40	5-2199154-6
SOFT TRAY	BOARD LOCK	NATURAL	BLACK	0.00076 MIN	2.67	5-2199154-5
SOFT TRAY	BOARD LOCK	BLACK	BLACK	0.00076 MIN	2.67	5-2199154-4
SOFT TRAY	WIDER BOARD LOCK	NATURAL	BLACK	0.00038 MIN	2.10	5-2199154-3
SOFT TRAY	WIDER BOARD LOCK	NATURAL	BLUE(2935U)	0.00038 MIN	2.10	5-2199154-0
SOFT TRAY	WIDER BOARD LOCK	NATURAL	GREEN(375C)	0.00038 MIN	2.10	4-2199154-9
SOFT TRAY	BOARD LOCK	NATURAL	BLACK	0.00038 MIN	2.40	4-2199154-8
SOFT TRAY	BOARD LOCK	NATURAL	YELLOW(107C)	0.00038 MIN	2.40	4-2199154-7
HARD TRAY	BOARD LOCK	BLUE(2935U)	BLUE(2935U)	0.00038 MIN	3.18	4-2199154-2
HARD TRAY	BOARD LOCK	BLACK	BLACK	0.00038 MIN	3.18	4-2199154-1
SOFT TRAY	BOARD LOCK	BLUE(2935U)	BLUE(2935U)	0.00076 MIN	2.67	4-2199154-0
SOFT TRAY	BOARD LOCK	NATURAL	BLACK	0.00076 MIN	3.18	2-2199154-8
SOFT TRAY	BOARD LOCK	BLACK	BLACK	0.00038 MIN	2.10	1-2199154-9
SOFT TRAY	BOARD LOCK	NATURAL	NATURAL	0.00038 MIN	2.10	1-2199154-8
SOFT TRAY	BOARD LOCK	NATURAL	BLACK	0.00038 MIN	2.10	1-2199154-7
SOFT TRAY	BOARD LOCK	BLACK	BLACK	0.00038 MIN	2.67	2199154-9
SOFT TRAY	BOARD LOCK	NATURAL	NATURAL	0.00038 MIN	2.67	2199154-8
SOFT TRAY	BOARD LOCK	NATURAL	BLACK	0.00038 MIN	2.67	2199154-7
PACKING STYLE	HOUSING STYLE	EXTRACTOR COLOR	HOUSING COLOR	CONTACT GOLD INTERFACE	DIM A	PART NUMBER

THIS DRAWING IS A CONTROLLED DOCUMENT.

DWN RICHARD MA 18MAR2013  
 CHK SIMON LI 18MAR2013  
 APVD COREI WANG 18MAR2013

**TE** TE Connectivity

NAME SOCKET ASSEMBLY  
 DDR4 DIMM, T/H TYPE  
 288 POSITION

PRODUCT SPEC 108-115067  
 APPLICATION SPEC 501-115076

SIZE A200779 CAGE CODE C=2199154  
 DRAWING NO 2199154-9

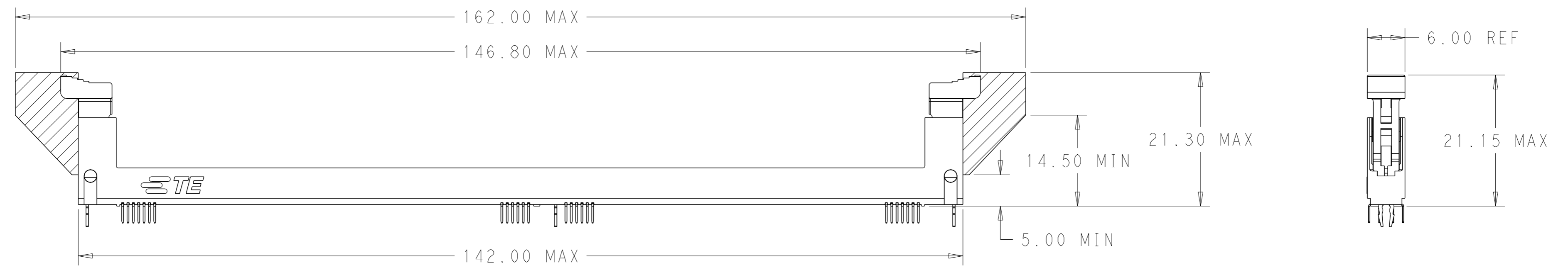
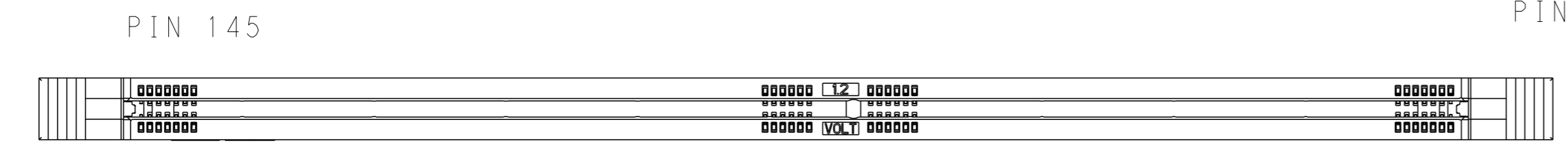
RESTRICTED TO -

SCALE 1:1 SHEET 4 OF 7 REV C

CUSTOMER DRAWING

THIS DRAWING IS UNPUBLISHED. RELEASED FOR PUBLICATION 20  
 © COPYRIGHT 20 TE CONNECTIVITY ALL RIGHTS RESERVED.

LOC		DIST		REVISIONS			
P	LTR	DESCRIPTION	DATE	DWN	APVD		
-	-	SEE SHEET 1	-	-	-		



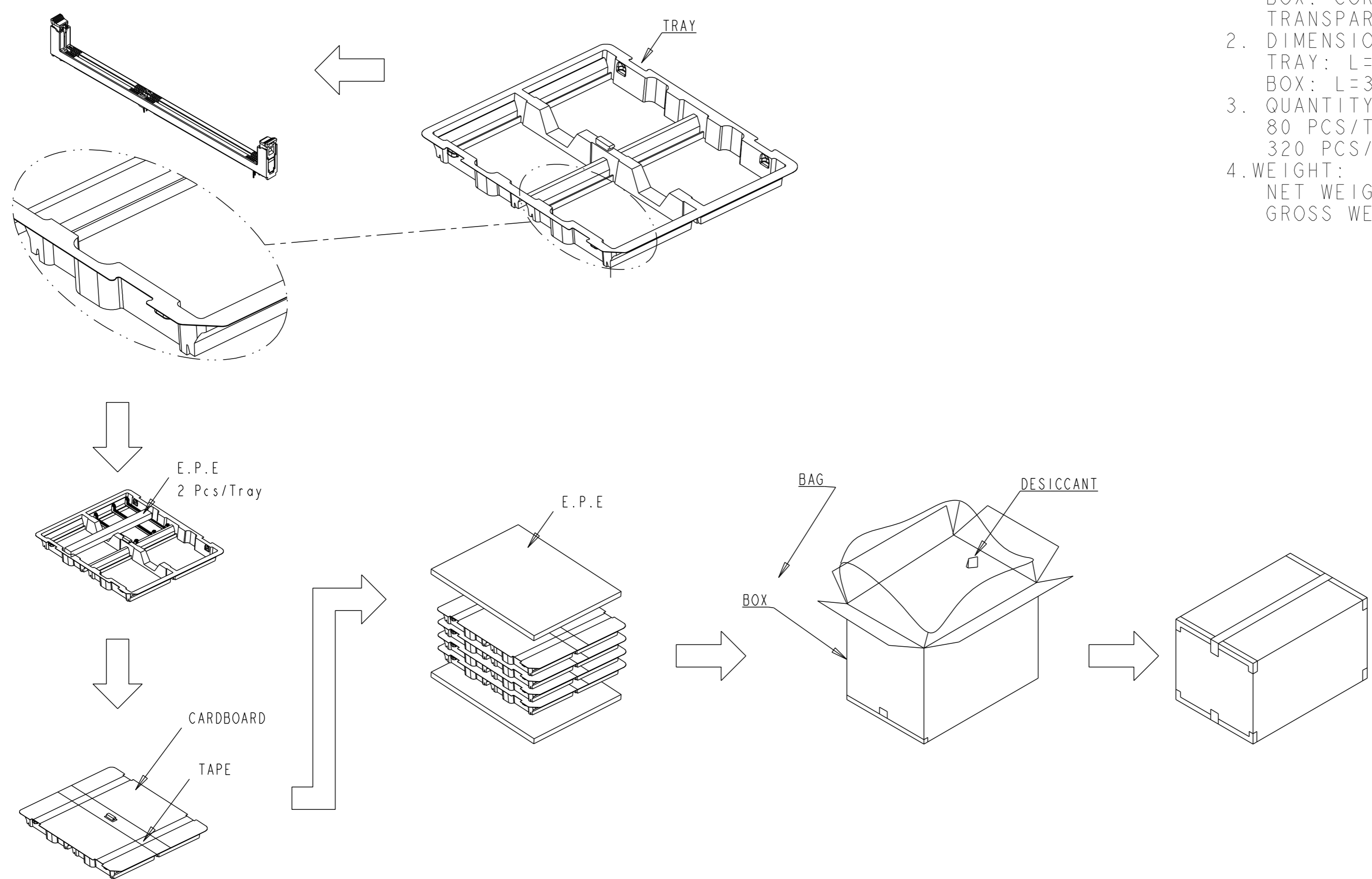
SOFT TRAY	BOARD LOCK	NATURAL	BLUE (2935U)	BLUE (2935U)	0.00038 MIN	3.18	4-2199154-3
SOFT TRAY	BOARD LOCK	NATURAL	BLACK	BLACK	0.00038 MIN	3.18	4-2199154-4
PACKING STYLE	HOUSING STYLE	EXTRACTOR COLOR (LEFT)	EXTRACTOR COLOR (RIGHT)	HOUSING COLOR	CONTACT GOLD INTERFACE	DIM A	PART NUMBER

THIS DRAWING IS A CONTROLLED DOCUMENT.

DWN	RICHARD MA	18MAR2013	
CHK	SIMON LI	18MAR2013	
APVD	COREL WANG	18MAR2013	
DIMENSIONS: mm 			NAME: SOCKET ASSEMBLY DDR4 DIMM, T/H TYPE 288 POSITION
TOLERANCES UNLESS OTHERWISE SPECIFIED: 0 PLC ±1 1 PLC ±0.25 2 PLC ±0.15 3 PLC ±0.10 4 PLC ± ANGLES ± FINISH ±			
MATERIAL: -			PRODUCT SPEC: 108-115067 APPLICATION SPEC: 501-115076 WEIGHT: - CUSTOMER DRAWING
SIZE: A200779		CAGE CODE: C=2199154	DRAWING NO: - RESTRICTED TO: -
SCALE: 1:1		SHEET: 5 OF 7	REV: C

THIS DRAWING IS UNPUBLISHED. RELEASED FOR PUBLICATION 20  
 © COPYRIGHT 20 TE CONNECTIVITY ALL RIGHTS RESERVED.

LOC		DIST		REVISIONS			
P	LTR	DESCRIPTION	DATE	DWN	APVD		
-	-						



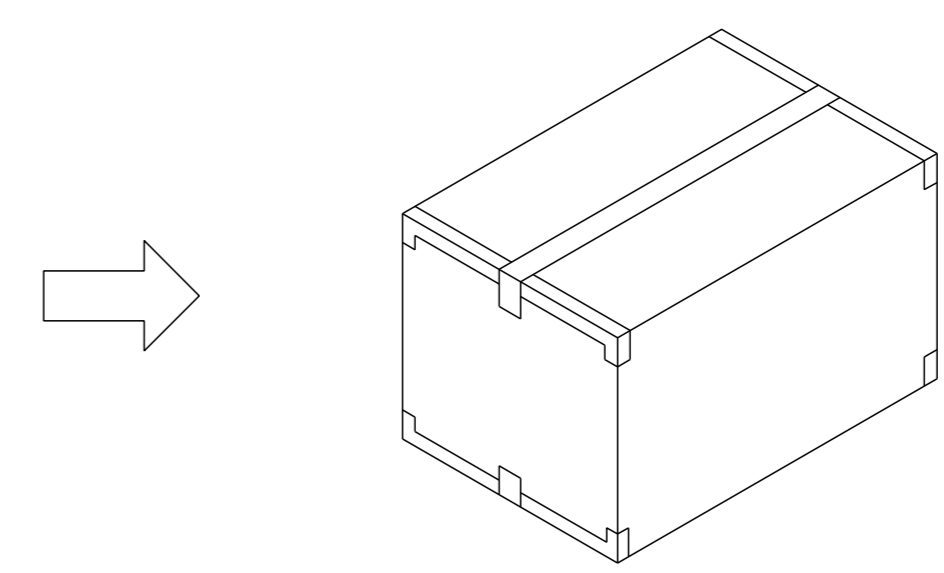
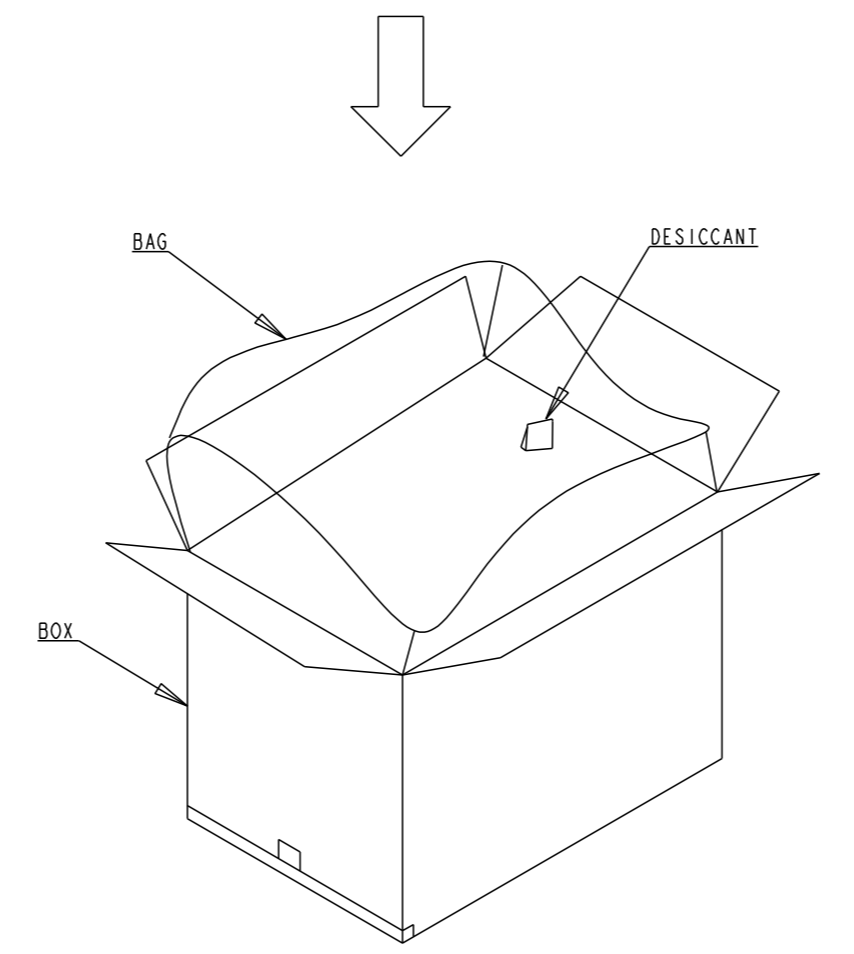
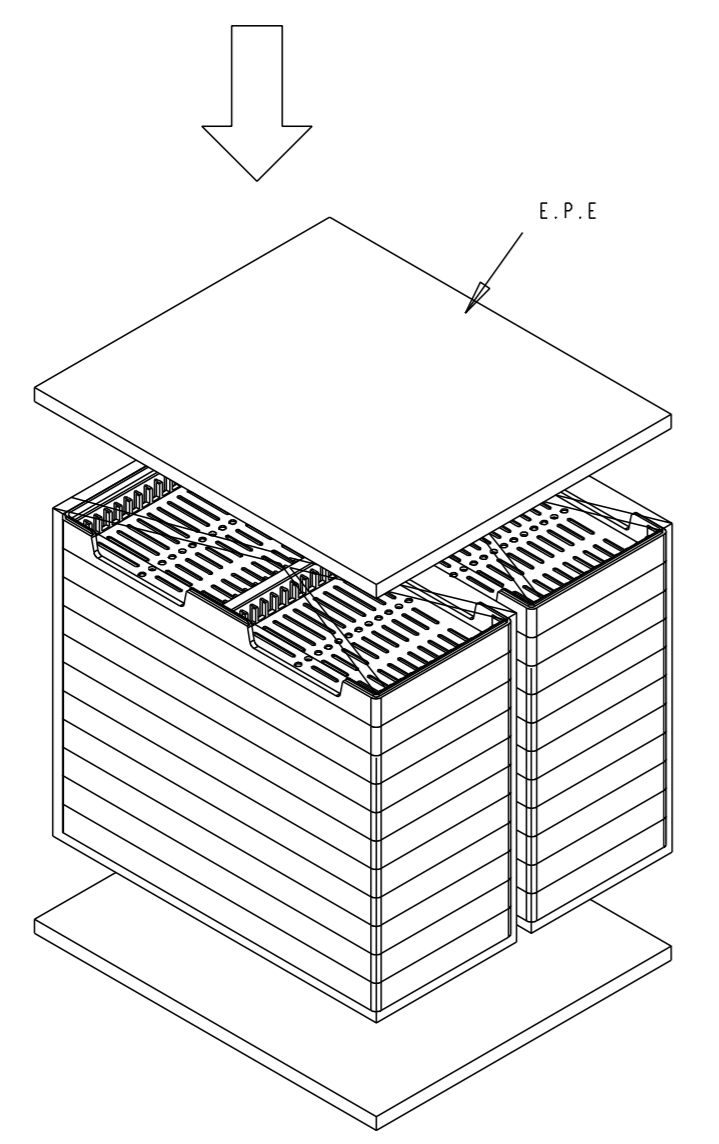
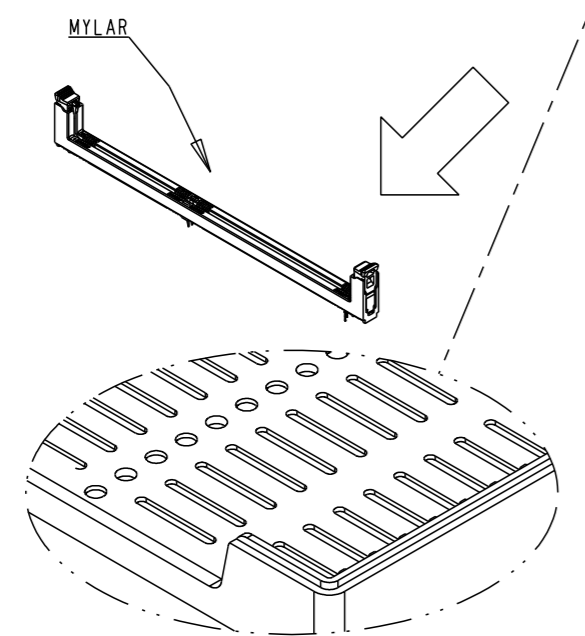
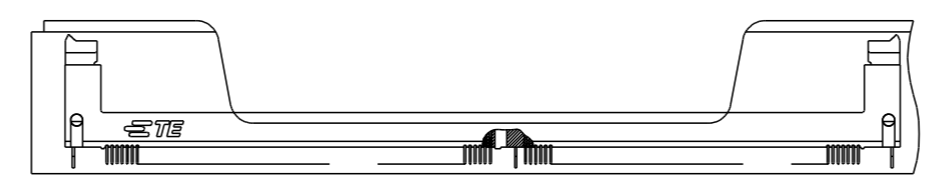
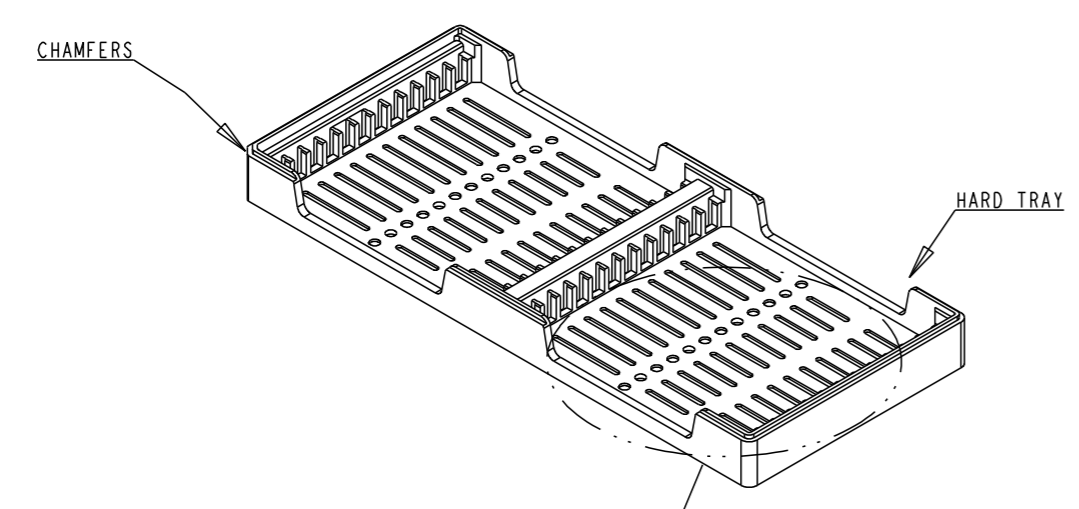
- MATERIALS :  
 TRAY: PVC, COLOR: TRANSPARENT  
 BOX: CORRUGATED FIBERBOARD  
 TRANSPARENT BAG: PE
- DIMENSIONS:  
 TRAY: L=343;W=292;H=32.5  
 BOX: L=365;W=310;H=200
- QUANTITY:  
 80 PCS/TRAY  
 320 PCS/BOX
- WEIGHT:  
 NET WEIGHT: 1.9KG  
 GROSS WEIGHT: 3.4KG

### SOFT TRAY PACKING

THIS DRAWING IS A CONTROLLED DOCUMENT.		DWN RICHARD MA 18MAR2013	TE Connectivity	
DIMENSIONS: mm		CHK SIMON LI 18MAR2013		
TOLERANCES UNLESS OTHERWISE SPECIFIED:		APVD COREI WANG 18MAR2013	NAME SOCKET ASSEMBLY DDR4 DIMM, T/H TYPE 288 POSITION	
		PRODUCT SPEC 108-115067	SIZE A200779	CAGE CODE C=2199154
MATERIAL		APPLICATION SPEC 501-115076	DRAWING NO	RESTRICTED TO
		WEIGHT -	SCALE 1:1	SHEET 6 OF 7
		CUSTOMER DRAWING	REV C	

THIS DRAWING IS UNPUBLISHED. RELEASED FOR PUBLICATION 20  
 © COPYRIGHT 20 TE CONNECTIVITY ALL RIGHTS RESERVED.

LOC		DIST		REVISIONS			
P	LTR	DESCRIPTION	DATE	DWN	APVD		
-	-						



- MATERIALS :  
 TRAY: HIPS, COLOR: BLACK  
 BOX: CORRUGATED FIBERBOARD  
 TRANSPARENT BAG: PE
- DIMENSIONS:  
 TRAY: L=326;W=136;H=28.2  
 BOX: L=323;W=285;H=335
- QUANTITY:  
 24 PCS/TRAY  
 480 PCS/BOX
- WEIGHT:  
 NET WEIGHT: 3.0KG  
 GROSS WEIGHT: 6.7KG

### HARD TRAY PACKING

THIS DRAWING IS A CONTROLLED DOCUMENT.		DWN RICHARD MA 18MAR2013	TE Connectivity	
DIMENSIONS: mm		CHK SIMON LI 18MAR2013		
TOLERANCES UNLESS OTHERWISE SPECIFIED:		APVD COREI WANG 18MAR2013	NAME SOCKET ASSEMBLY DDR4 DIMM, T/H TYPE 288 POSITION	
0 PLC ±1 1 PLC ±0.25 2 PLC ±0.15 3 PLC ±0.10 4 PLC ± ANGLES ± FINISH ±		PRODUCT SPEC 108-115067	SIZE A200779	DRAWING NO C=2199154
MATERIAL		WEIGHT -	CAGE CODE -	RESTRICTED TO -
		CUSTOMER DRAWING	SCALE 1:1	SHEET 7 OF 7
				REV C

## X-ON Electronics

Largest Supplier of Electrical and Electronic Components

*Click to view similar products for [PCI Express/PCI Connectors](#) category:*

*Click to view products by [TE Connectivity](#) manufacturer:*

Other Similar products are found below :

[UEX220-6U](#) [0877159203](#) [10039755-10110TLF](#) [10025026-10003PLF](#) [10125756-980000LF](#) [1-1871239-2](#) [2170560-2](#) [10082378-11003TLF](#)  
[10125756-980000LF](#) [1775861-2](#) [10039755-10111TLF](#) [EB220-3U](#) [WD2M144WB2R300](#) [10061913-120PLF](#) [10108777-10002WLF](#)  
[GPCP146400111HR](#) [10144667-112Y0LF](#) [10144667-113Y0LF](#) [205058-1001](#) [GPCP446200120HR](#) [GPCP245400111HR](#) [10082378-10000TLF](#)  
[10082378-10001TLF](#) [87715-9256](#) [MDT580M03001](#) [0877159107](#) [205058-1003](#) [MDT580M01001](#) [10018783-11000MLF](#) [10061913-103BLF](#)  
[10145445-10003MLF](#) [PSASF2130311TR](#) [10147430-113T0LF](#) [10146070-113Y0LF](#) [MDT670M01005](#) [10108777-10200MLF](#)  
[MDT420M01002](#) [PSASF3130211TR](#) [PSASF4130051TR](#) [PSASM2130412TR](#) [PSASM2130391TR](#) [10139595-111T0LF](#) [10139595-110T0LF](#)  
[PSASF3130131TR](#) [0745400501](#) [7-1734774-7](#) [10150900-052R2LF](#) [3-1761465-1](#) [74540-0501](#) [10018784-10011TLF](#)