

4

3

2

1

THIS DRAWING IS UNPUBLISHED.

RELEASED FOR PUBLICATION

20

© COPYRIGHT 20

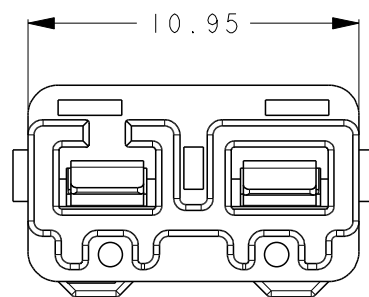
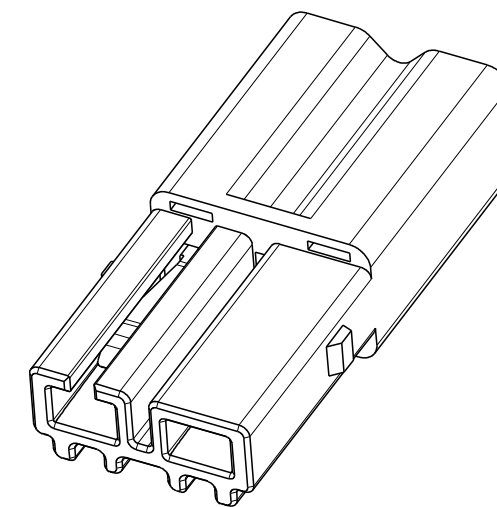
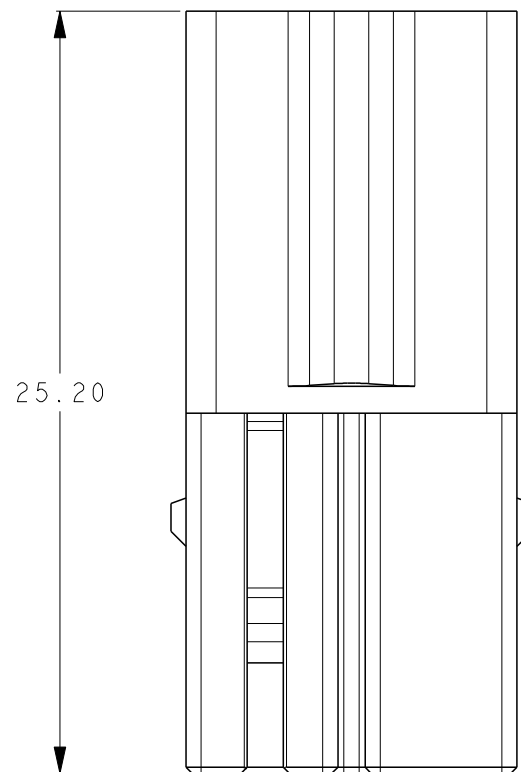
ALL RIGHTS RESERVED.

LOC
ES

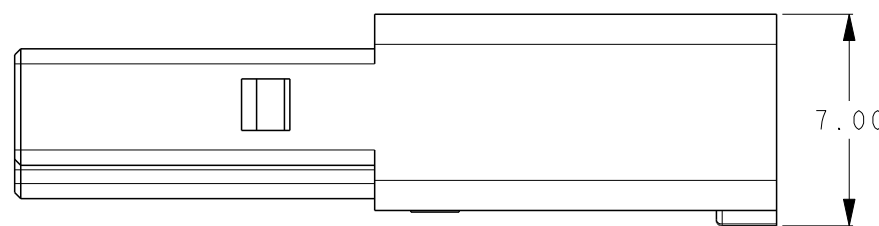
DIST

REVISIONS

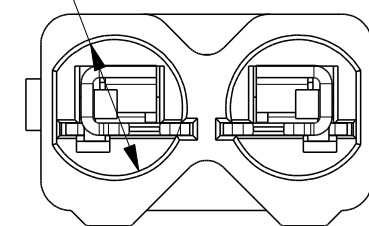
P	LTR	DESCRIPTION	DATE	DWN	APVD
	A1	ADD PN	13OCT2015	M.S	X.X
	A2	UPDATE TABLE: ECR-15-018014	14DEC2015	M.S	X.X
	B	ECR-16-010339	15JUL2016	X.X	X.X
	C	ECR-17-000969	20DEC2016	M.S	X.X



SCALE 4:1



Ø 4.50±0.20 (2X)



PART NUMBER	PART COLOR
2834036-1	ORANGE
2834036-2	BLACK
2834036-3	WHITE (NATURE)

NOTES:

- 1. TE PART NUMBER: SEE TABLE.
- 2. MATERIAL: TERMINAL: COPPER ALLOY. HOUSING: NYLON, UL 94-V0. COLOR: ORANGE.
- 3. FINISH: TERMINAL: TIN PLATING OVERALL.
- 4. APPLICABLE MATING RECEPTACLE: 2834037 SERIES.
- 5. APPLICABLE WIRE: 18-22 AWG SOLID. STRIP LENGTH: 9.0-9.5mm.
- 6. PRODUCT COMPLIES TO UL 2459 REQUIREMENT AND QUALIFIED: ZMNA.E308110; ZMNA7.E208110.

THIS DRAWING IS A CONTROLLED DOCUMENT.		DWN	18DEC2014	STE TE Connectivity
		CHK	SHI MING 18DEC2014	
		APVD	XU XIANG 18DEC2014	
DIMENSIONS: mm		TOLERANCES UNLESS OTHERWISE SPECIFIED: ± 0.5		NAME
		0-PLC ± 1-PLC ±10 2-PLC ±5.0 3-PLC ± 4-PLC ± ANGLES ± 5°		PLUG 2 PIN WIRE TO WIRE CONNECTOR
		MATERIAL		FINISH
		PRODUCT SPEC		SIZE
		APPLICATION SPEC		CAGE CODE
		WEIGHT		DRAWING NO
		CUSTOMER DRAWING		RESTRICTED TO
		SCALE 4:1		SHEET 1 OF 2
		REV C		

D

C

B

A

4

3

2

1

THIS DRAWING IS UNPUBLISHED.

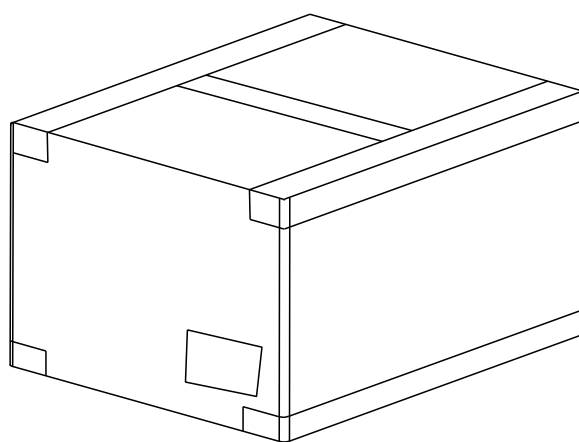
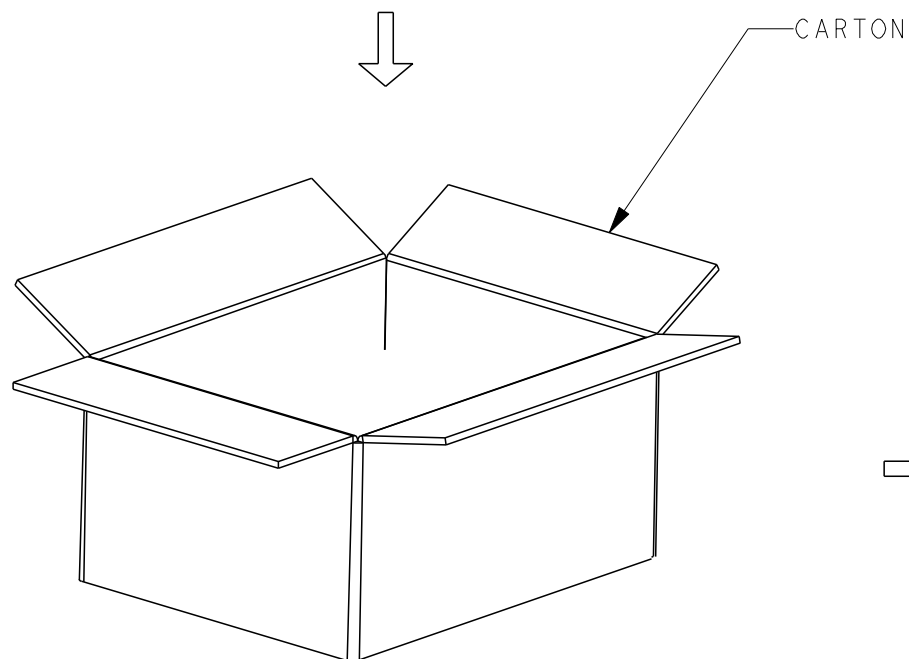
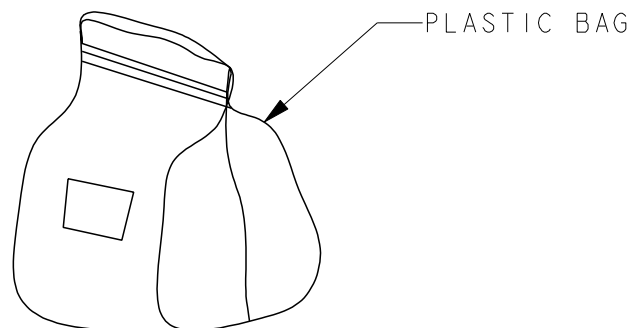
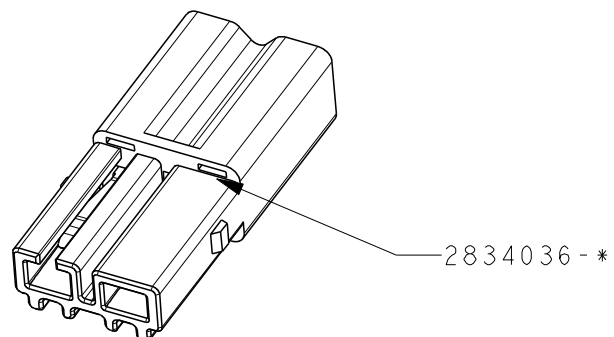
RELEASED FOR PUBLICATION

20

© COPYRIGHT 20

ALL RIGHTS RESERVED.

LOC	DIST	REVISIONS					
		P	LTR	DESCRIPTION	DATE	DWN	APVD
ES							



NOTE:
1. PACKAGING QUANTITY: SEE TABLE.

PARTS PER BAG	BAGS PER CARTON	PARTS PER CARTON
500 PCS	8	4000 PCS

THIS DRAWING IS A CONTROLLED DOCUMENT.

DIMENSIONS:
mm



TOLERANCES UNLESS OTHERWISE SPECIFIED:

- 0 PLC ±
- 1 PLC ±10
- 2 PLC ±5.0
- 3 PLC ±
- 4 PLC ±
- ANGLES ±5°

MATERIAL

FINISH

DWN 18DEC2014

SHI MING

CHK 18DEC2014

XU XIANG

APVD 18DEC2014

XU XIANG

PRODUCT SPEC

APPLICATION SPEC

WEIGHT



TE Connectivity

NAME
PLUG
2 PIN WIRE TO WIRE CONNECTOR

SIZE CAGE CODE DRAWING NO RESTRICTED TO

A 300779 C-2834036

CUSTOMER DRAWING

SCALE 4:1

SHEET 2 OF 2

REV C

D

C

B

A

X-ON Electronics

Largest Supplier of Electrical and Electronic Components

Click to view similar products for [Lighting Connectors](#) category:

Click to view products by [TE Connectivity](#) manufacturer:

Other Similar products are found below :

[21061-9](#) [293300-7](#) [2106117-2](#) [293660-5](#) [293700-2](#) [CNX_H03_NTP](#) [30-9767-BU](#) [3-21030-1](#) [ZCH-110-RGB-I](#) [503471-0290](#) [ES5P09K4F2](#)
[CNXH02NTP](#) [ZCH-110-RGB-J](#) [217-0716-200](#) [192992-0057](#) [1954563-1](#) [217-3030-000](#) [217-3032-000](#) [237-0734-003](#) [DTS24W25-20PN-LC](#)
[1-2213614-2](#) [2834049-3](#) [ES9S002SZZ](#) [2834049-2](#) [2-2834067-3](#) [1-293657-2](#) [2834049-1](#) [293699-2](#) [293701-3](#) [1-2213614-3](#) [2834036-1](#)
[2834037-1](#) [2213614-3](#) [2307526-2](#) [2-2106124-3](#) [2-2834068-3](#) [FLS2SC4001BP](#) [FLSC80352000](#) [FLSC80354000](#) [FLSC80353000](#) [FLSSB8002](#)
[FLSSB8001](#) [FLSC80351000](#) [FLSC80355000](#) [FLSSB4001](#) [FLSC80504000](#) [FLSC80502000](#) [FLSC80501000](#) [FLSSR4001](#) [FLSC80505000](#)