

4

3

2

1

THIS DRAWING IS UNPUBLISHED.

RELEASED FOR PUBLICATION

20

LOC

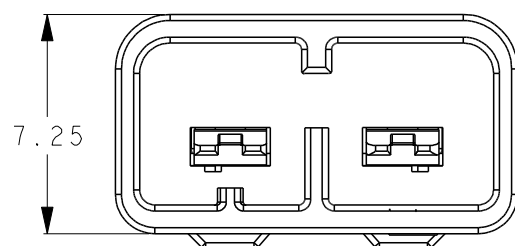
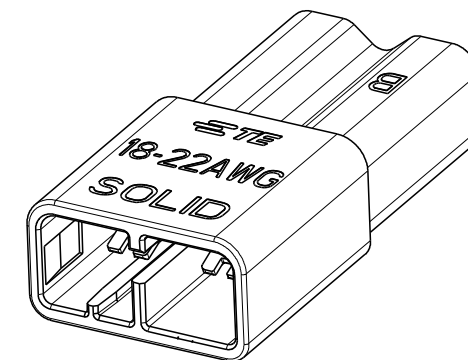
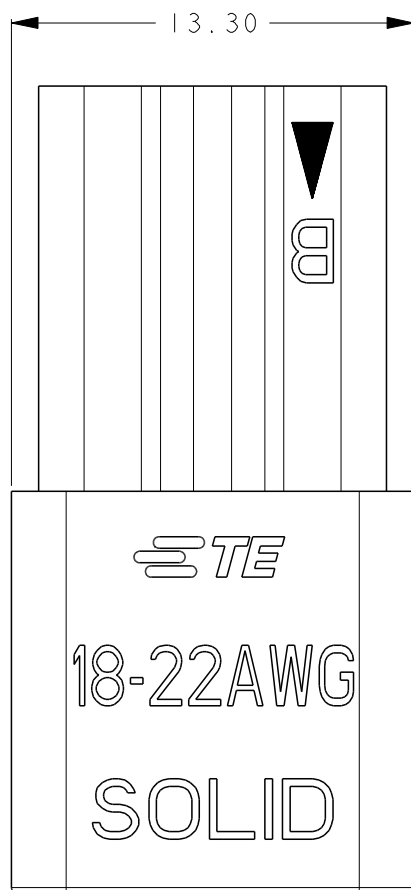
DIST

REVISIONS

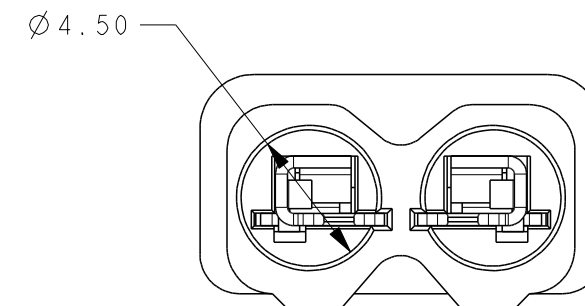
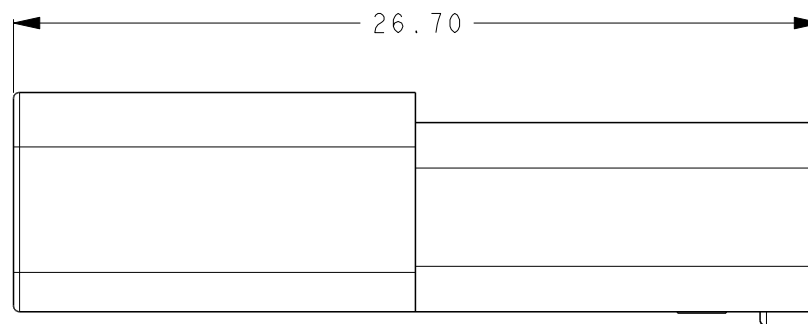
© COPYRIGHT 20

ALL RIGHTS RESERVED.

P	LTR	DESCRIPTION	DATE	DWN	APVD
	A2	UPDATE TABLE: ECR-15-018014	14DEC2015	M.S	X.X
	B	ECR-16-010339	15JUL2016	M.S	X.X
	C	ECR-17-000969	20DEC2016	M.S	X.X
	D	ECR-17-014471	29SEP2017	F.F	M.S



SCALE 4:1



PART NUMBER	PART COLOR
2834037-1	ORANGE

NOTES:

- 1 TE PART NUMBER:SEE TABLE.
- 2 MATERIAL  
TERMINAL: COPPER ALLOY.  
HOUSING : NYLON, UL 94-V0. COLOR: ORANGE.
- 3 FINISH  
TERMINAL : TIN PLATING OVERALL.
- 4 APPLICABLE WIRE: 18-22 AWG SOLID.  
STRIP LENGTH:9.0-9.5mm
- 5 APPLICABLE MATING PLUG:2834036 SERIES.
- 6 PRODUCT COMPLIES TO UL 2459 REQUIREMENT AND QUALIFIED:  
ZMNA.E308110; ZMNA7.E308110

THIS DRAWING IS A CONTROLLED DOCUMENT.		DWN	29SEP2017		<b>TE</b> TE Connectivity
		CHK	29SEP2017		
		APVD	29SEP2017		
		NAME		2 PINS WIRE TO WIRE CONNECTOR RECEPTACLE	
		PRODUCT SPEC		108-137090	
		APPLICATION SPEC		114-137090	
		SIZE	CAGE CODE	DRAWING NO	RESTRICTED TO
		A300779		C-2834037	-
		CUSTOMER DRAWING		SCALE 4:1	SHEET 1 OF 2 REV D

DIMENSIONS:		TOLERANCES UNLESS OTHERWISE SPECIFIED:	
mm		± 0.5	
		0-PLC	±
		1-PLC	±
		2-PLC	±
		3-PLC	±
		4-PLC	±
MATERIAL		FINISH	
2		3	

THIS DRAWING IS UNPUBLISHED.

RELEASED FOR PUBLICATION

20

© COPYRIGHT 20

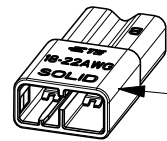
ALL RIGHTS RESERVED.

LOC  
ES

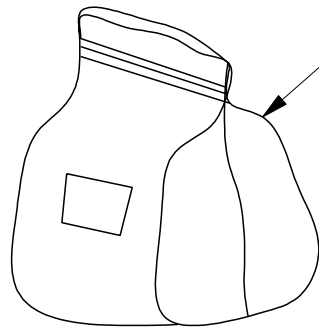
DIST

REVISIONS

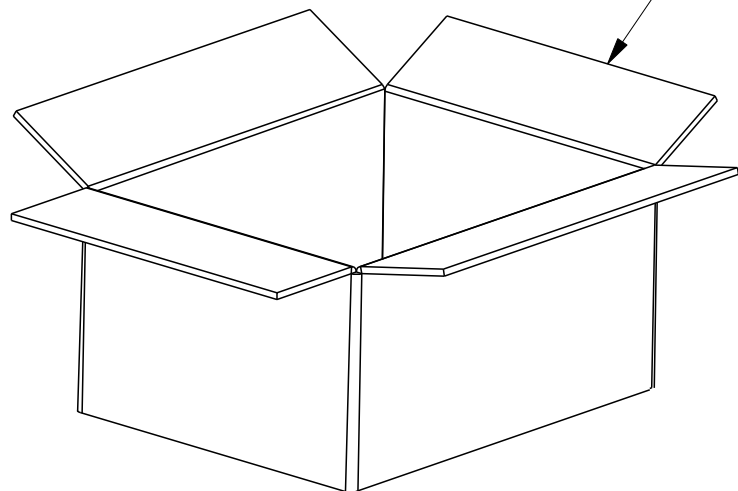
P	LTR	DESCRIPTION	DATE	DWN	APVD
	-	SEE SHEET 1	-	-	-



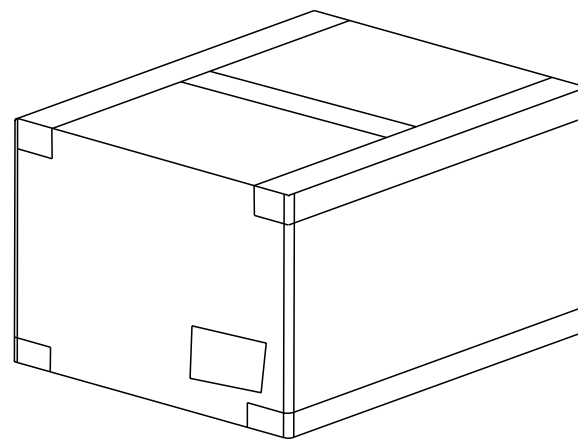
2834037-1



PLASTIC BAG



CARTON



NOTE:  
1. PACKAGING QUANTITY: SEE TABLE.

PARTS PER BAG	BAGS PER CARTON	PARTS PER CARTON
500 PCS	8	4000 PCS

THIS DRAWING IS A CONTROLLED DOCUMENT.

DWN 29SEP2017

FRANK FAN

CHK 29SEP2017

GEORGE FU

APVD 29SEP2017

MING SHI

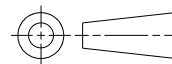


TE Connectivity

DIMENSIONS:

mm

TOLERANCES UNLESS OTHERWISE SPECIFIED:  
±0.5



- 0-PLC ±
- 1-PLC ±
- 2-PLC ±
- 3-PLC ±
- 4-PLC ±
- ANGLES ±5°

MATERIAL

2

FINISH

3

NAME

2 PINS WIRE TO WIRE CONNECTOR RECEPTACLE

PRODUCT SPEC

108-137090

APPLICATION SPEC

114-137090

SIZE

CAGE CODE

DRAWING NO

RESTRICTED TO

WEIGHT

1.83 g

A300779

C=2834037

-

CUSTOMER DRAWING

SCALE 4:1

SHEET 2 OF 2

REV D

## X-ON Electronics

Largest Supplier of Electrical and Electronic Components

*Click to view similar products for [Lighting Connectors](#) category:*

*Click to view products by [TE Connectivity](#) manufacturer:*

Other Similar products are found below :

[21061-9](#) [293300-7](#) [2106117-2](#) [293660-5](#) [293700-2](#) [CNX\\_H03\\_NTP](#) [30-9767-BU](#) [3-21030-1](#) [ZCH-110-RGB-I](#) [503471-0290](#) [ES5P09K4F2](#)  
[CNXH02NTP](#) [ZCH-110-RGB-J](#) [217-0716-200](#) [192992-0057](#) [1954563-1](#) [217-3030-000](#) [217-3032-000](#) [237-0734-003](#) [DTS24W25-20PN-LC](#)  
[1-2213614-2](#) [2834049-3](#) [ES9S002SZZ](#) [2834049-2](#) [2-2834067-3](#) [1-293657-2](#) [2834049-1](#) [293699-2](#) [293701-3](#) [1-2213614-3](#) [2834036-1](#)  
[2834037-1](#) [2213614-3](#) [2307526-2](#) [2-2106124-3](#) [2-2834068-3](#) [FLS2SC4001BP](#) [FLSC80352000](#) [FLSC80354000](#) [FLSC80353000](#) [FLSSB8002](#)  
[FLSSB8001](#) [FLSC80351000](#) [FLSC80355000](#) [FLSSB4001](#) [FLSC80504000](#) [FLSC80502000](#) [FLSC80501000](#) [FLSSR4001](#) [FLSC80505000](#)