

Manual Switches

Electronic Control Rocker

INCANDESCENT OR NON-LIGHTED DISPLAY



FEATURES

- Silver or gold contacts.
- 2 or 3 position operation.
- UL recognized, CSA certified.
- Lamps can be furnished installed or ordered separately.
- Lamp circuit independent of switch circuit.

Electrical Data	page 19
Rockers	page 51
Lamps	page 58
Accessories	pages 56, 57
Mounting Dimensions	pages 59, 62



*AML24 Series: 1 pole and 2-pole only.

Rocker operators ordered separately.

AML24 ORDER GUIDE

AML24 E	B	A	2	AA	01
Housing Type	Bezel Color	Incandescent Lamp Type	Terminal Type	Circuitry Codes	Operating Action
AML24 E Rectangular Non-Lighted AML24 F Rectangular 1 Lamp Ckt. (A) AML24 G Rectangular 2 Lamp Ckts.	B Black	A No Lamp Installed B 6 V Lamp* C 14 V Lamp* E 28 V Lamp*	2 .110 × .020 (Solder or Quick-Connect) 3 .025 × .025 (Printed Ckt., or Push-on)	Insert Code letters as shown in Circuitry Chart	Insert Code numbers from Operating Action Chart



① The "MICRO SWITCH" identification is shown on this side of the switch housings.

* Lamps will be installed per each lamp circuit specified in the Housing Type.

Example: AML24EBA2AA01

Rectangular non-lighted rocker switch housing; black bezel; .110 × .020 terminals; with one circuit ON and one circuit OFF in each extreme operator position (maintained).

CIRCUITRY

Silver Contacts	Gold Contacts	2-Position		3-Position			
AA	BA						
AC (Non-illuminated switches only)	BC						
CA	DA						
CC (Non-illuminated switches only)	DC						

OPERATING ACTION

2-Position:		
Maint.	01 None	Maint.
Mom.	02 None	Maint.
Maint.	03 None	Mom.
3-Position:		
Maint.	04 Maint.	Maint.
Mom.	05 Maint.	Mom.
Maint.	06 Maint.	Mom.
Mom.	07 Maint.	Maint.

Manual Switches

Electronic Control Rocker

LED DISPLAY



Rocker operators ordered separately.
LEDs are not replaceable.

FEATURES

- Identical to AML24, except furnished with one or two rectangular high efficiency LED's which give flush display area and wide angle indication.
- Available with or without diode protection for LED's.
- LED circuit independent of switch circuit.

Electrical Data	page 19
Rockers	page 52
Lamps and LEDs	page 58
Accessories	page 57
Mounting Dimensions	pages 59, 62

- 5 thru 24 VDC LED devices have internal resistor to maintain current at nominal 20 mA.
- UL recognized, CSA certified.



*AML26 Series: 1 pole and 2-pole only.

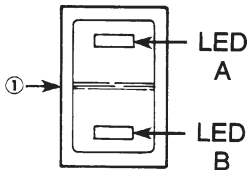
AML26 ORDER GUIDE

AML26 F

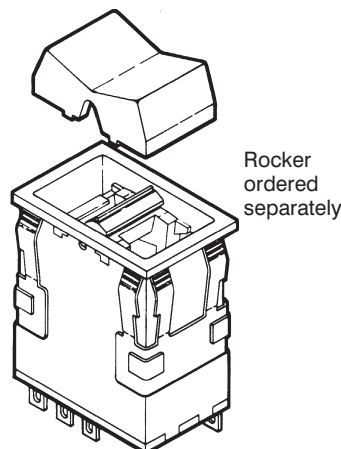
Housing Type	Bezel Color	LED Voltage	Terminal Type/ Diode Protection	Circuitry Codes	Operating Action	LED Color (LED A)	LED Color (LED B)
AML26 F 1 LED	B Black	B V*	2 .110 × .020 (Solder or Quick-Connect)	Insert code letters as shown in Circuitry Chart	Insert code numbers from Operating Action Chart	R Red	R Red
AML26 G 2 LED's		C 5 V	3 .025 × .025 (Printed Ckt., or Push-On)	LED version available only with AA BA CA DA circuitry		Y Yellow	Y Yellow
		D 10 V	8 .110 × .020 w/Diode for LED protection			G Green	G Green
		E 15 V				X No LED	X No LED
		F 24 V					

*See LED application information for devices without current-limiting resistor, page 58.

Example: **AML26FBB2AA01RX**
Rectangular rocker switch; illuminated with one LED, this device has a black bezel, .110 × .020 terminals; with one circuit ON and one circuit OFF in each extreme operator position (maintained).



① The "MICRO SWITCH" identification is shown on this side of the switch housings.



Manuals

X-ON Electronics

Largest Supplier of Electrical and Electronic Components

Click to view similar products for [Illuminated Rocker Switches](#) category:

Click to view products by [Honeywell](#) manufacturer:

Other Similar products are found below :

[KG312A2DXD246X](#) [AML26FBF2CA01GX](#) [CRE22F2BBALE](#) [35-3580-BU](#) [35-3630](#) [MLW3015-F-LF-2A](#) [MLW3023-00RA-1A](#) [35-3585](#)
[35-655](#) [35-656-BU](#) [35-689](#) [35-693](#) [35-694](#) [V1D1B60BGDC4S-100](#) [LRA32H2FBGLN](#) [LRA22H2FBRLN](#) [TRG22F2BBRLN](#)
[RR3405ALRED](#) [CR102J5GS215QF6](#) [KG412A2XEA26X3](#) [KG412A2XDA26X6](#) [A8A-216-1](#) [A8A-223-1A](#) [AML26FBF2CA04RX](#)
[AML26FBF2DA05YX](#) [GRL-2011-1600](#) [KG372A2KJA28TT](#) [KG413A2XXA21XXCV04XX03VDE](#) [KR36FAKDDG](#) [632121-1B-KN](#)
[632122-2B-JA](#) [632152-2B-3N](#) [6321524B4E](#) [632221-4B-KN](#) [632421-2B-KE](#) [L11B1A801-A7Z00-000](#) [L11B1AJ01-AHZ00-000](#)
[L11B1DD01-ARZ00-000](#) [L11D1A601-AMZ00-000](#) [L11D1AH01-00000-000](#) [L11D1EHN1-A7900-000](#) [LRA211-CR-B/125N](#) [LRA211-RS-](#)
[B/125N](#) [LRA511-CB-B012V](#) [LRA511-RS-B/24V-XZP1](#) [LRA910-RS-B/250N/O-I](#) [LRA911-CR-B/250N](#) [LRA911RS -B120N](#) [LRG5CK511-](#)
[RS-B-0/012V](#) [LRG5CK511-R-S-B-A/012V](#)