

Technical Description

**SENSICK**  
Connection and  
mounting systems



**SICK**

## Creating secure mounting and connection



Mounting and connection systems play a part in sensor design in every application and any branch of industry. From conveyor belt applications, car manufacture through to food processing, different requirements need to be addressed, which demand a high level of technology and functionality from the systems installed. SICK offers a multiplicity of tailor-made mounting and connection systems – all from a single source of supply.





## Systems from a single source of supply.

Mounting and connection methods, in conjunction with industrial sensors, are an integral part of an all-embracing systems concept. Anyone who adopts a uniform scheme for mounting and connection is at an advantage. SICK offers you this advantage from a single source of supply.

## Mounting and connection. For any application and in any branch of industry.

Industrial environments are harsh environments. Each branch of industry and each application therefore require individual solutions to technical problems. Whether in the field of conveying, the packaging industry, the automotive industry or in the food and beverage industry, the solution to resolve problems in technical applications must be reliable for each requirement. Only technology, which is specifically matched for the particular application, will ensure safe and trouble-free operation.

## Technology at its best.

Whether the demands imposed on technology are due to vibration, cable stress, coolant lubrication or due to cleaning processes using acids, lyes and cleaning agents under high pressure, SICK can offer the high-tech solution.





## The direct route and the appropriate method

### Typecode mounting systems

	BEF	WK	W24
<b>Type</b>			
Mounting Systems	BEF		
<b>Type of mounting system</b>			
Mounting bracket small		WK	
Mounting bracket large		WG	
Articulated mounting		GH	
Clamp		KH	
Double clamp		DKH	
Ball joint bracket		KK	
Brackets, large and small		WN	
Clamp for support rail		HPS	
Universal clamp		KHS	
Plate separately		KHP	
Mounting systems for cylinders		KHZ	
<b>Sensor Type</b>			
W 24			W24
W 12			W12
DME			DME
MINI 01			MINI01





## Mounting and connection in summary



Connection systems

### Safer and better connections

Molded connector cables make the installation easy, safe and effective. Where greater versatility is required, molded connector cables, together with an array of terminal screwed connectors available, provide the opportunity of creating individual solutions. M8/M12 standardised or device-specific plug connectors or field bus systems, specifically for use in particular branches of industry complete the supply programme.

#### Standard M8 and M12 connection

- Terminal screwed connectors
- Molded connectors
- Connector cables (with molded connection at one end only)
  - PVC
  - PUR halogenfree
  - Specific for the food and beverage industry
- Connector cables (with molded connectors both ends)
  - PVC
  - PUR halogenfree
  - Specific for the food and beverage industry

#### Special connection

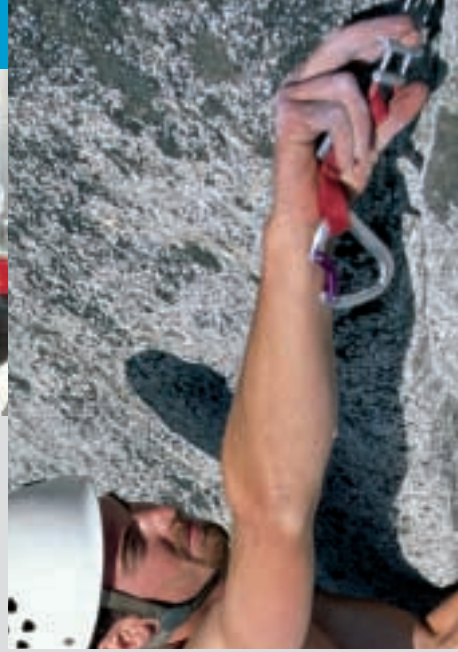
- Shielded M12, 8-pin connectors
- "T"-junction
- Field bus connection systems (Profibus, DeviceNet)
- Round connectors for specific devices
- Rectangular connectors for specific devices

#### Splitter boxes

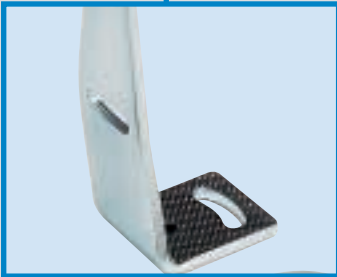
- Boxes with enclosure rating IP 67
  - M12 boxes, type of connection: cable
  - M12 boxes, type of connection: plug, M23
- Boxes with enclosure rating IP 69K (for the food and beverage industry)
  - M12 boxes, type of connection: cable



# Mounting systems



Sensors



Mounting systems

## Versatile mountings secure as required

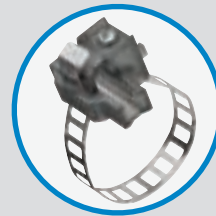
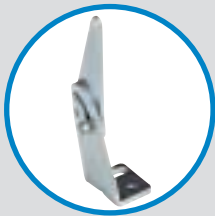
Irrespective of the shape of the sensors, SICK has the correct mounting system. Whether with metric, sleeve or square design – mounting brackets, supports and adapters will secure the mounting of each sensor, even in harsh conditions.

### Standard mounting systems

- Mounting bracket
- Clamps
- Universal joints
- Ball-type bracket

### Special purpose mounting systems

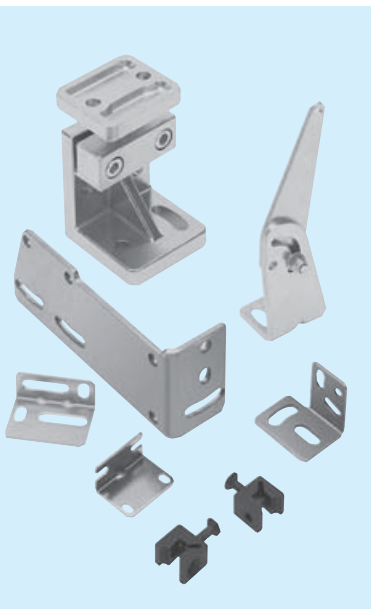
- Universal clamps for securing to bars and rods
- Adapter for magnetic cylinder sensors



**Selection table for mounting brackets, clamps and articulated mountings**

Sensor	Description	Type	Order no.
ST 130-S13, -S19, -S23, -S29	Mounting bracket	BEF-130-SM	5 306 246
ST 130-S33	Mounting bracket	BEF-130-SP	5 306 245
SS/SE 130-S33	Mounting bracket	BEF-130-ST	5 306 244
SI 130	Mounting bracket	BEF-WLL160	5 305 400
W 4-2	Mini ball joint bracket	BEF-GH-MINI01	2 023 160
W 150	Mounting bracket, horizontal*)	BEF-W150-A	5 306 217
W 150	Mounting bracket, vertical*)	BEF-W150-B	5 306 279
W 160	Mounting bracket	BEF-W160	5 305 197
WLL 160	Mounting bracket	BEF-WLL16	5 305 400
W 170	Mounting bracket	BEF-W170	5 305 686
WLL 170/WLL 190	Mounting bracket	BEF-WLL170	5 306 574
W 9-2	Mounting bracket	BEF-WN-W9-2	2 022 855
W 12-2, W 12L-2	Clamp	BEF-KH-W12	2 013 285
W 12-2, W 12L-2	Double clamp	BEF-DKH-W12	2 013 947
W 12-2, W 12L-2	Clamp for top-hat rail	BEF-HPS-W12	2 018 060
W 12-2, W 12L-2	Mounting bracket, large	BEF-WG-W12	2 013 942
W 12-2, W 12L-2	Mounting bracket, small	BEF-WK-W12	2 012 938
W 14-2, W 18-3	Mounting bracket	BEF-WN-W14	2 019 084
W 14-2, W 18-3	Mounting bracket	BEF-WN-W18	2 009 317
W 23	Mounting bracket	BEF-WN-W23	2 019 085
W 23	Mounting bracket	BEF-WN-W27	2 009 122
W 24-2, W 24 Exi	Mounting bracket, large	BEF-WG-W24	4 026 324
W 24-2, W 24 Exi	Mounting bracket, small	BEF-WK-W24	4 027 532
W 250	Mounting bracket	BEF-W250	5 305 850
W 260	Mounting bracket	BEF-W260	5 304 819
W 27-2	Mounting bracket	BEF-WN-W27	2 009 122
W 27-2	Mounting bracket	BEF-WN-W23	2 019 085
W 30, W 32, W 34	Mounting bracket	BEF-WN-W32	2 005 806
W 34	Mounting bracket, large	BEF-WG-W24	4 026 324
W 34	Mounting bracket, small	BEF-WK-W24	4 027 532
W 45	Universal joint, complete	BEF-KK-W45	2 011 436
W 45	Mounting bracket	BEF-WN-W45	2 011 480
V 12, IM 12, MM 12	Mounting bracket	BEF-WN-M12	5 308 447
V 18, IM 18, MM 18, CM 18	Mounting bracket	BEF-WN-M18	5 308 446
IM 30, CM 30	Mounting bracket	BEF-WN-M30	5 308 445
V 18, IM 18, MM 18, CM 18	Mounting bracket with ball-joint	BEF-WN-M18-ST02	5 312 973
WTR	Mounting bracket	BEF-WN-WTR	2 017 417
WLG 12	Mounting bracket	BEF-WN-WLG12	2 017 567
KT 2	Clamp	BEF-KH-W12	2 013 285
KT 2	Double clamp	BEF-DKH-W12	2 013 947
KT 2	Clamp for top-hat rail	BEF-HPS-W12	2 018 060
KT 2	Mounting bracket, large	BEF-WG-W12	2 013 942
KT 2	Mounting bracket, small	BEF-WK-W12	2 012 938
KT 3	Mounting bracket	BEF-WN-W9-2	2 022 855
DS 60	Mounting bracket	BEF-WN-DS60	4 032 937
WTA 24	Mounting bracket, large	BEF-WG-W24	4 026 324
DME 2000/3000	Articulated mounting	BEF-GH-DME	2 015 229
DMH/DMP	Articulated mounting	BEF-GH-DMH2	2 020 796
DMT/DML	Articulated mounting	BEF-GH-DMT	5 309 130
LUT	Articulated mounting	BEF-GH-LUT1-5	1 005 580
ISD 230/260/280	Three-point mounting	BEF-KH-ISD	5 306 369

\*) including mounting material





**Table of adapters for pneumatic cylinders**

For unit	Description	Type	Order no.
MZT 6/RZT 6, MZT 1/RZT 1	Mounting bracket for profile-/tie-rod cylinders	BEF-KHZ-PT1	2 022 702
MZT 6/RZT 6, MZT 1/RZT 1	Mounting bracket for round body cylinder/piston diameters of 8 ... 25 mm	BEF-KHZ-RT1-25	5 311 171
MZT 6/RZT 6, MZT 1/RZT 1	Mounting bracket for round body cylinder/piston diameters of 8 ... 63 mm	BEF-KHZ-RT1-63	5 311 172
MZT 6/RZT 6, MZT 1/RZT 1	Mounting bracket for cylinders with a dovetail slot	BEF-KHZ-ST1	2 022 703
MZU 2	Clamping piece for cylinder with "T" slot/dovetail slot	BEF-KS-U2-T1	2 019 822
MZU 2	Clamping piece for tie-rod cylinder	BEF-KS-U2-S1	4 030 922
MZU 2	Clamping piece for tie-rod cylinder (Teflon)	BEF-KS-U2-S1T	4 031 632
MZU 2	Clamping piece for profile rod cylinders up to a rod width 13 mm	BEF-KS-U2-P1	2 019 824
MZU 2	Clamping piece for profile rod cylinders up to a rod width 18 mm	BEF-KS-U2-P2	2 019 823

**Table of mounting clamps for magnetic cylinder sensors MZR 1 on round body cylinders**

For unit	Description	Type	Order no.
MZR 1	Cylinders with piston diameter 8 mm	BEF-S-R1-08	7 902 337
MZR 1	Cylinders with piston diameter 10 mm	BEF-S-R1-10	7 901 753
MZR 1	Cylinders with piston diameter 12 mm	BEF-S-R1-12	7 901 754
MZR 1	Cylinders with piston diameter 16 mm	BEF-S-R1-16	7 901 755
MZR 1	Cylinders with piston diameter 20 mm	BEF-S-R1-20	7 901 756
MZR 1	Cylinders with piston diameter 25 mm	BEF-S-R1-25	7 901 757
MZR 1	Cylinders with piston diameter 32 mm	BEF-S-R1-32	7 901 758
MZR 1	Cylinders with piston diameter 40 mm	BEF-S-R1-40	7 901 759
MZR 1	Cylinders with piston diameter 50 mm	BEF-S-R1-50	7 901 760
MZR 1	Cylinders with piston diameter 63 mm	BEF-S-R1-63	7 901 761

**Table of clamping bands for magnetic cylinder sensors MZR 2 on round body cylinders**

For unit	Description	Type	Order no.
MZR 2	Cylinders with piston diameter 8 ... 16 mm	BEF-S-R2-16	7 901 762
MZR 2	Cylinders with piston diameter 20 or 25 mm	BEF-S-R2-25	7 901 763
MZR 2	Cylinders with piston diameter 32 mm	BEF-S-R2-30	7 901 764
MZR 2	Cylinders with piston diameter 40 mm	BEF-S-R2-40	7 901 765
MZR 2	Cylinders with piston diameter 50 mm	BEF-S-R2-50	7 901 766
MZR 2	Cylinders with piston diameter 63 mm	BEF-S-R2-63	7 901 767
MZR 2	Cylinders with piston diameter 80 mm	BEF-S-R2-80	7 901 768
MZR 2	Cylinders with piston diameter 100 mm	BEF-S-R2-100	7 901 769

**Selection table for clamps**

**Universal clamps, rod mounting**

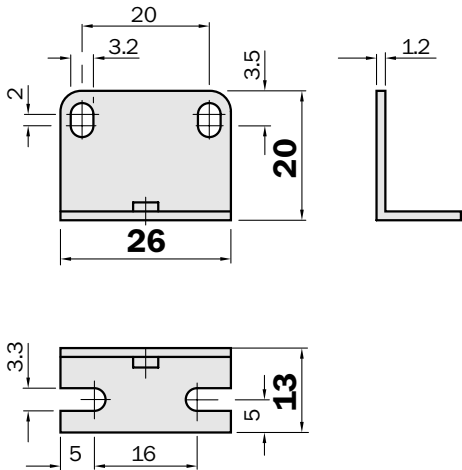
For equipment	Description	Type	Order no.**
<b>Bar clamps</b>			
W 23, W 27-2	Universal clamp/plate A	BEF-KHS-A01	2 022 458
P 250, P 250 F, PL 30 A, PL 40 A, PL 50 A, PL 80 A, C 110	Universal clamp/plate B	BEF-KHS-B01	2 022 459
W 14-2, W 18-3	Universal clamp/plate C	BEF-KHS-C01	2 022 460
W 11, W 12-2, W 12L-2, KT 2	Universal clamp/plate D	BEF-KHS-D01	2 022 461
W 30, W 32, W 34, W 36	Universal clamp/plate E	BEF-KHS-E01	2 022 462
PL 20 A, PL 20 F, P 250, P 250 F, W 260	Universal clamp/plate F	BEF-KHS-F01	2 022 463
W 24-2, W 24 Exi, WTA 24, KT 5, KT 10, CS 1/3, LUT 3	Universal clamp/plate G	BEF-KHS-G01	2 022 464
V 18, W 4-2, IM 18, MM 18, CM 18, UM 18	Universal clamp/plate H	BEF-KHS-H01	2 022 465
PL 20 A, PL 20 F, PL 40 A, PL 50 A, P 250, P 250 F, C 110	Universal clamp/plate J	BEF-KHS-J01	2 022 719
W 11, W 12-2, W 12L-2, W 14-2, W 18-3, W 23, W 24-2, W 27-2,	Universal clamp/plate K		2 022 718
W 30, W 32, W 34, KT 2, KT 5, KT 10, CS, LUT 3, DS 60, PL 20 A,			
PL 20 F, PL 30 A, PL 40 A, PL 50 A, PL 80 A, P 250, P 250 F, C 110			
W 9-2, KT 3, P 250, P 250 F, W 250, W 140-2	Universal clamp/plate L	BEF-KHS-L01	2 023 057
Clamp without mounting plate		BEF-KHS-KH1	2 022 726

\*\*\*) Order no. includes bar clip and installation material

## Dimensional drawings and order information

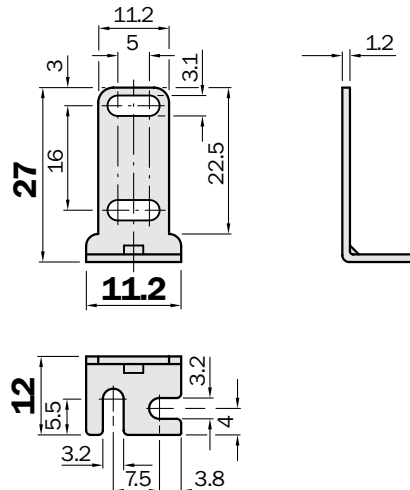
### Mounting bracket for ST 130-S13, -S19, -S23, -S29\*)

Type	Order no.
BEF-130-SM	5 306 246



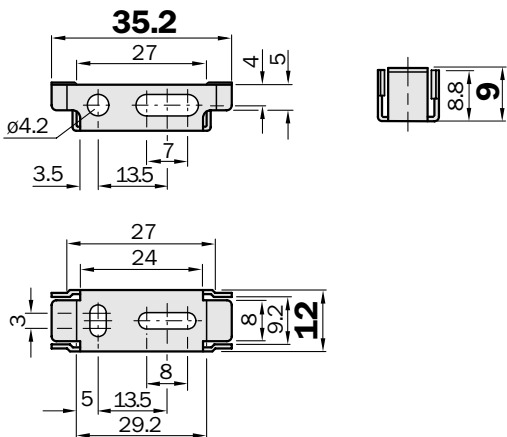
### Mounting bracket for ST 130-S33\*)

Type	Order no.
BEF-130-SP	5 306 245



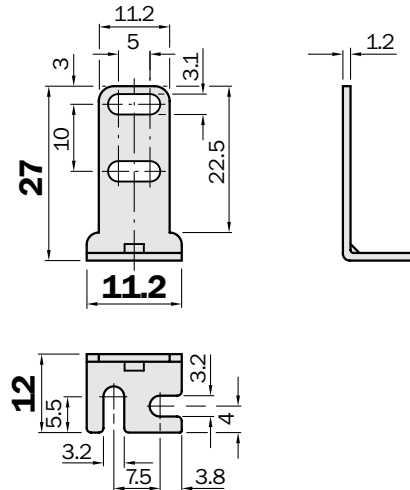
### Mounting bracket for SI 130\*), WLL 160\*)

Type	Order no.
BEF-WLL 160	5 305 400



### Mounting bracket for SS/SE 130-S33\*)

Type	Order no.
BEF-130-ST	5 306 244

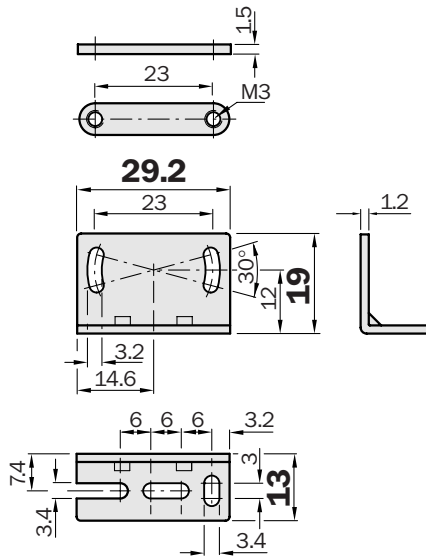


\*) Included with delivery

Dimensional drawings and order information

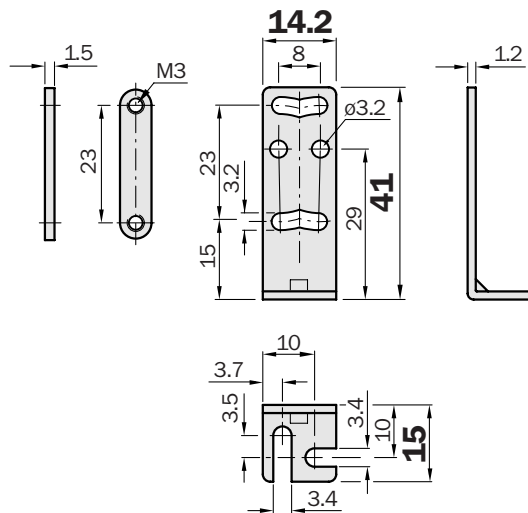
Mounting bracket, horizontal for W 150\*)

Type	Order no.
BEF-W150-A	5 306 217



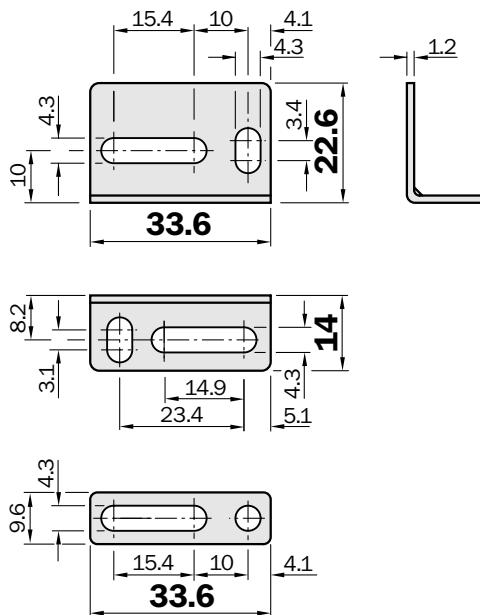
Mounting bracket, vertical for W 150\*)

Type	Order no.
BEF-W150-B	5 306 279



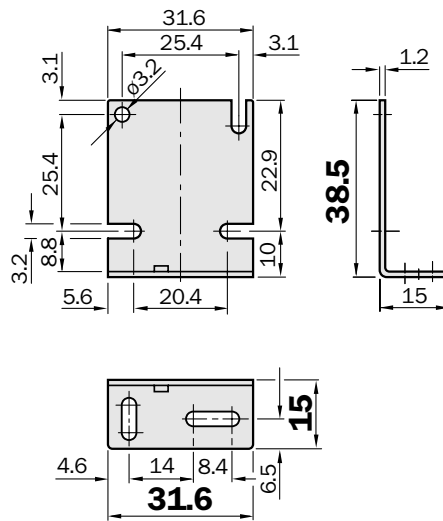
Mounting bracket for W 160\*)

Type	Order no.
BEF-W160	5 305 197



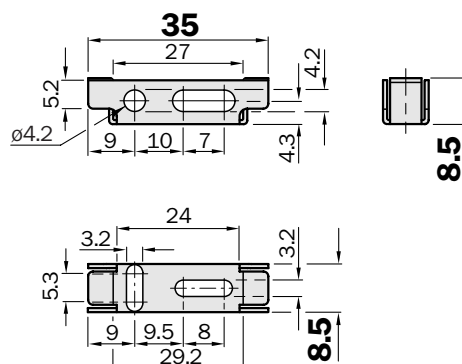
Mounting bracket for W 170\*)

Type	Order no.
BEF-W170	5 305 686



Mounting bracket for WLL 170\*), WLL 190\*)

Type	Order no.
BEF-WLL170	5 306 574

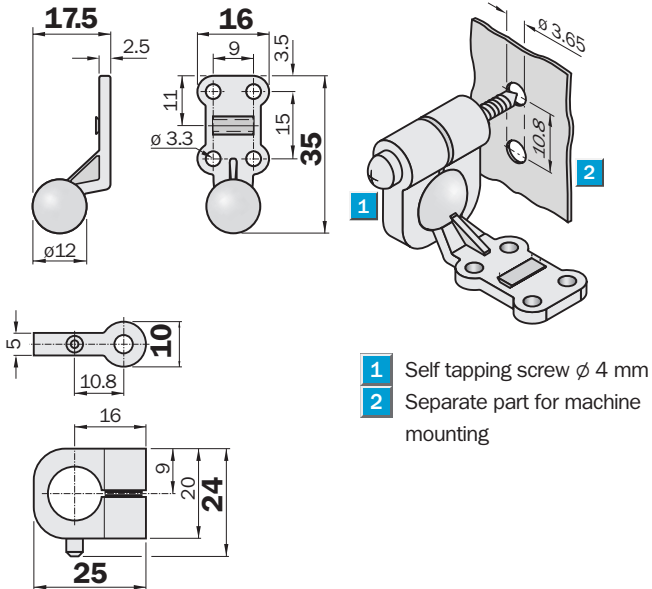


\*) Included with delivery

## Dimensional drawings and order information

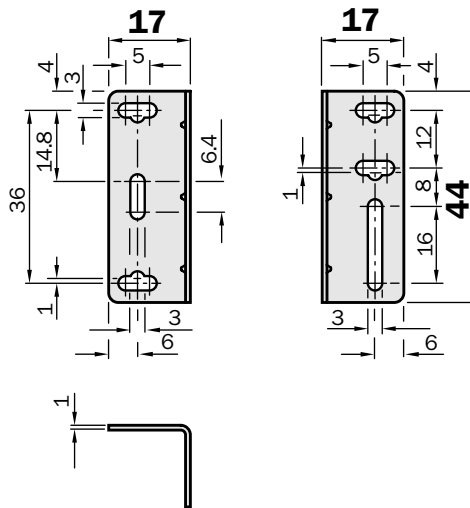
### Mini ball joint bracket for W 4-2

Type	Order no.
BEF-GH-MINI01	2 023 160



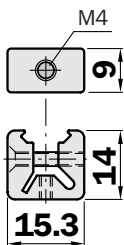
### Mounting bracket for W 9-2, KT 3

Type	Order no.
BEF-WN-W9-2	2 022 855



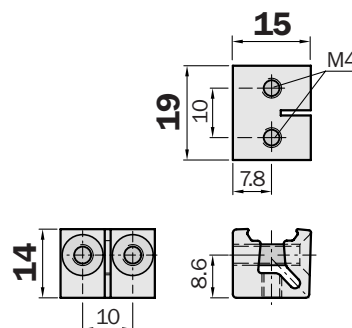
### Clamp for W 12-2, W 12L-2, KT 2

Type	Order no.	
BEF-KH-W12	2 013 285	Countersunk screw M4 x 15 mm included with delivery



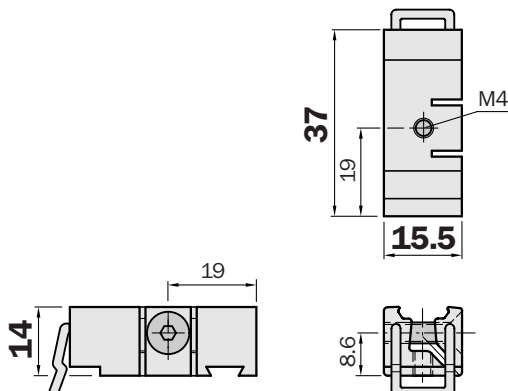
### Double clamp for W 12-2, W 12L-2, KT 2

Type	Order no.	
BEF-DKH-W12	2 013 947	2 countersunk screws M4 x 15 mm included with delivery



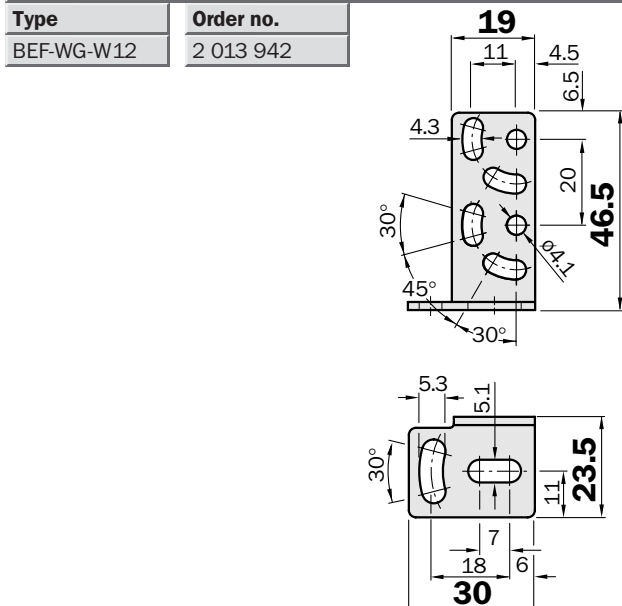
### Clamp for top-hat rail\*) W 12-2, W 12L-2, KT 2

Type	Order no.
BEF-HPS-W12	2 018 060



### Mounting bracket, large (stainless steel) for W 12-2, W 12L-2, KT 2

Type	Order no.
BEF-WG-W12	2 013 942



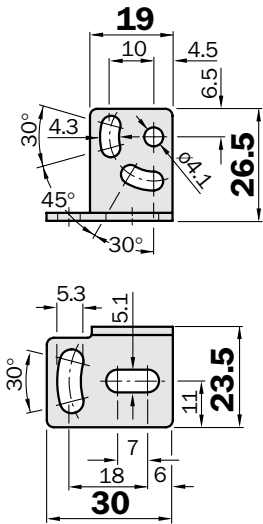
\*) TS 32 acc. to EN 50022



Dimensional drawings and order information

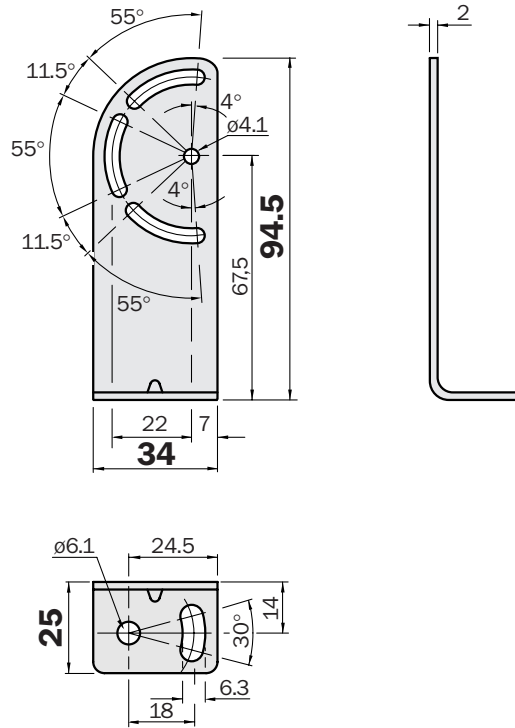
Mounting bracket, small (stainless steel) for W 12-2, W 12L-2, KT 2

Type	Order no.
BEF-WK-W12	2 012 938



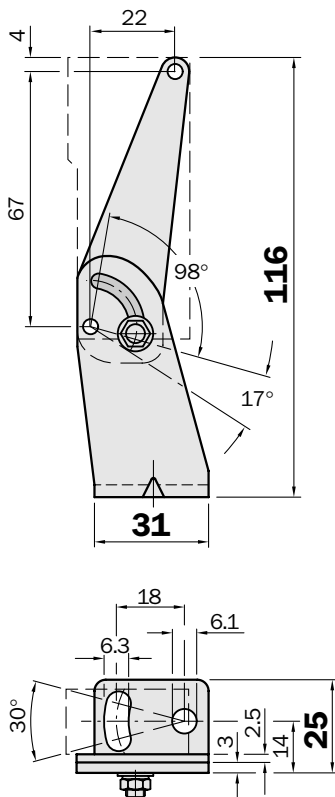
Mounting bracket for W 14-2, W 18-3

Type	Order no.
BEF-WN-W14	2 019 084



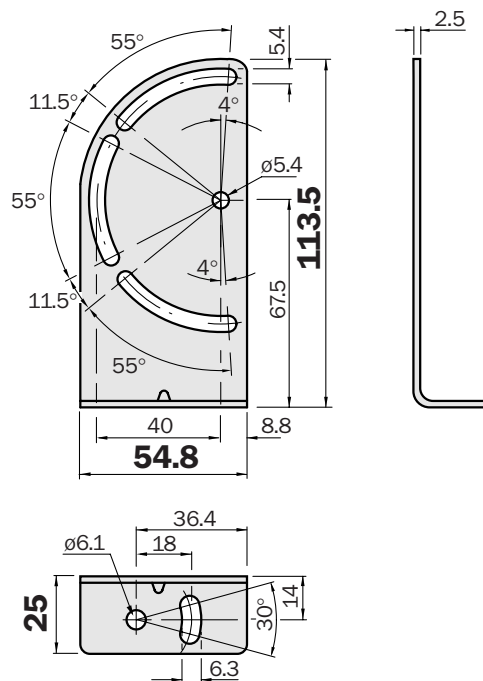
Mounting bracket for W 14-2, W 18-3

Type	Order no.
BEF-WN-W18	2 009 317



Mounting bracket for W 23, W 27-2

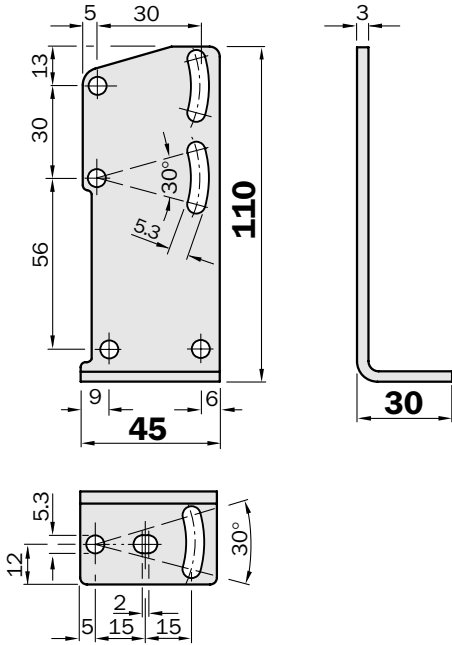
Type	Order no.
BEF-WN-W23	2 019 085



## Dimensional drawings and order information

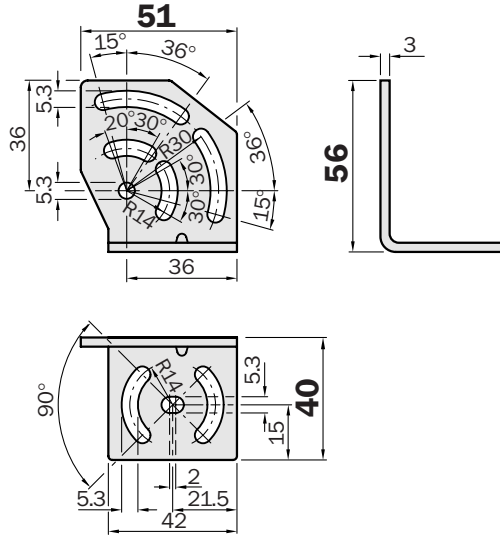
### Mounting bracket, large (stainless steel) for W 24-2, W 24 Exi, WTA 24, W 34

Type	Order no.
BEF-WG-W24	4 026 324



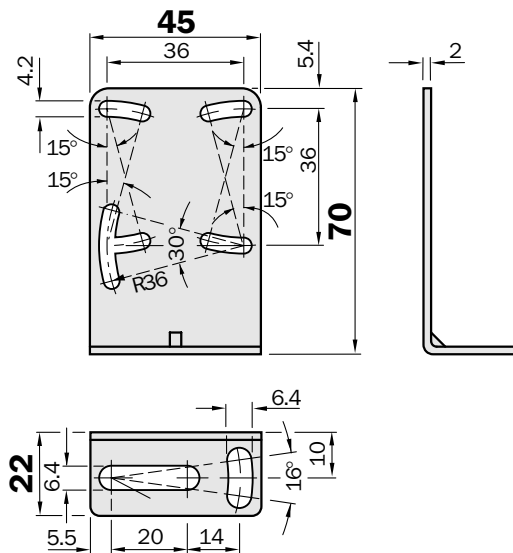
### Mounting bracket, small (stainless steel) for W 24-2, W 24 Exi, WTA 24, W 34

Type	Order no.
BEF-WK-W24	4 027 532



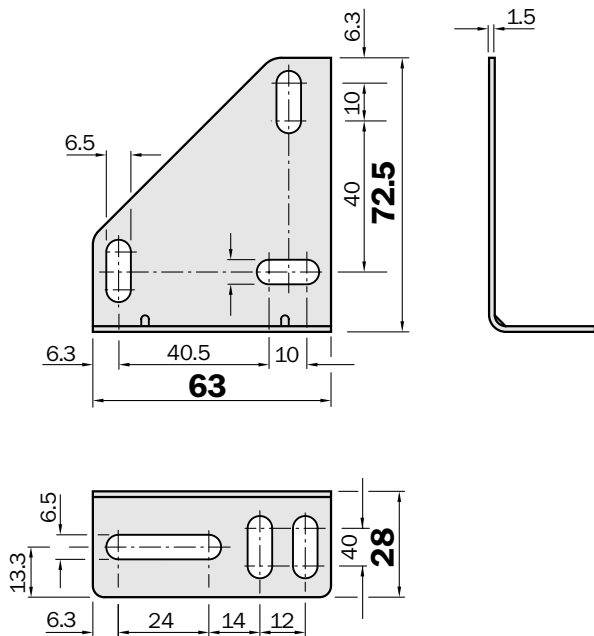
### Mounting bracket for W 250\*)

Type	Order no.
BEF-W250	5 305 850



### Mounting bracket for W 260\*)

Type	Order no.
BEF-W260	5 304 819

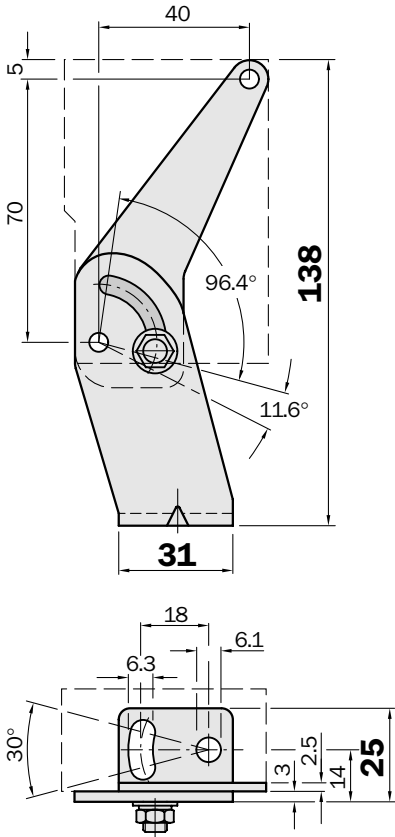


\*) Included with delivery

Dimensional drawings and order information

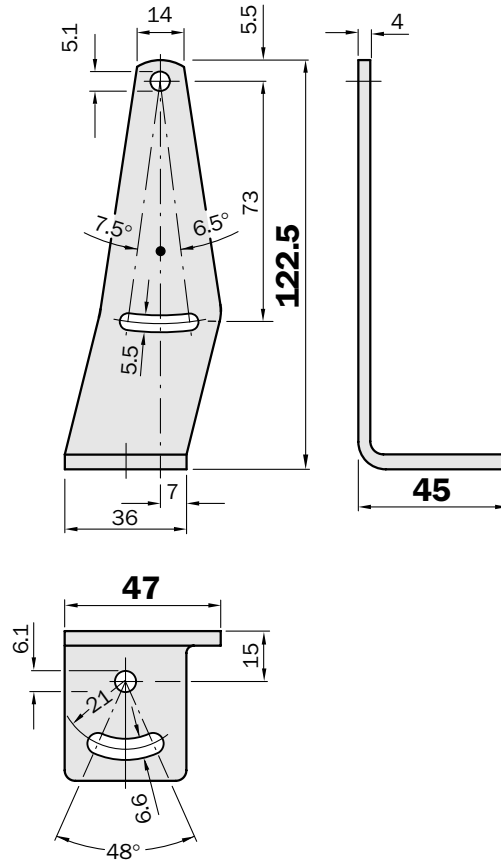
Mounting bracket for W 27-2, W 23

Type	Order no.
BEF-WN-W27	2 009 122



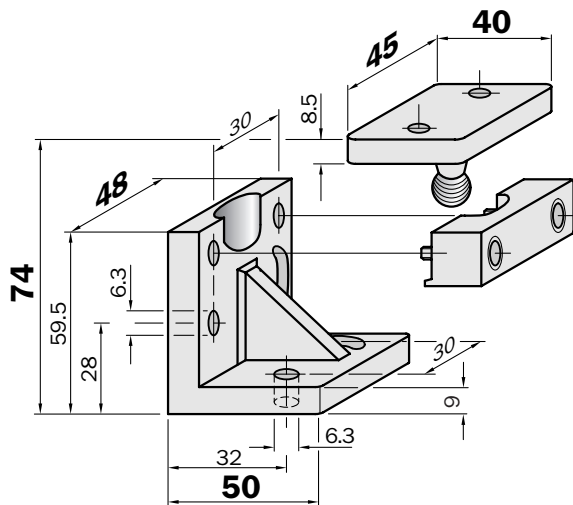
Mounting bracket for WT 30, WT 32, W 34

Type	Order no.
BEF-WN-W32	2 005 806



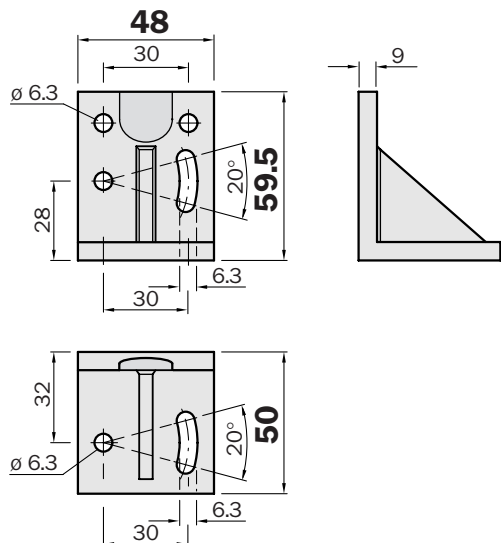
Universal joint, complete, for W 45

Type	Order no.
BEF-KK-W45	2 011 436



Mounting bracket for W 45

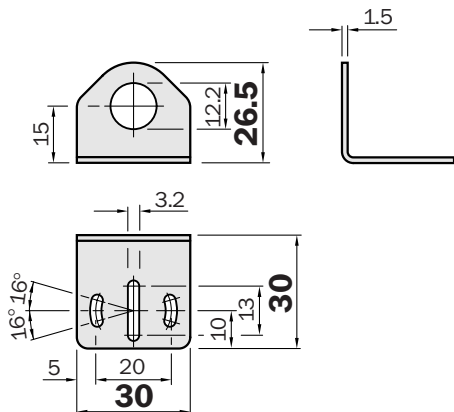
Type	Order no.
BEF-WN-W45	2 011 480



## Dimensional drawings and order information

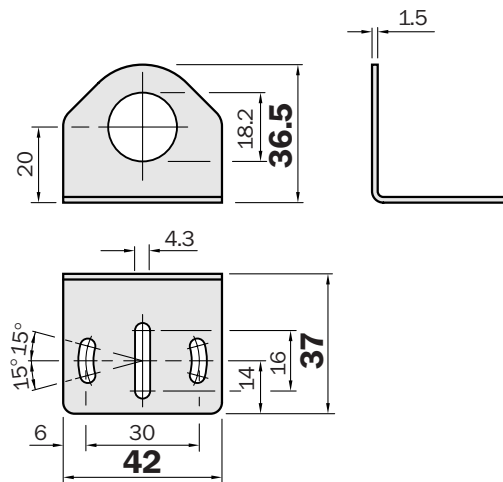
### Mounting bracket for V 12, IM 12, MM 12

Type	Order no.
BEF-WN-M12	5 308 447



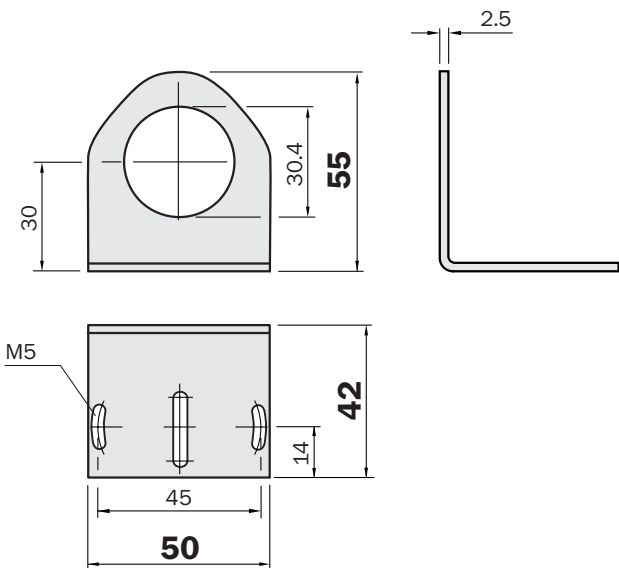
### Mounting bracket for V 18, IM 18, MM 18, CM 18

Type	Order no.
BEF-WN-M18	5 308 446



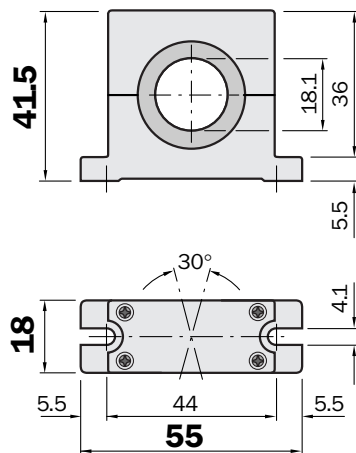
### Mounting bracket for IM 30, CM 30

Type	Order no.
BEF-WN-M30	5 308 445



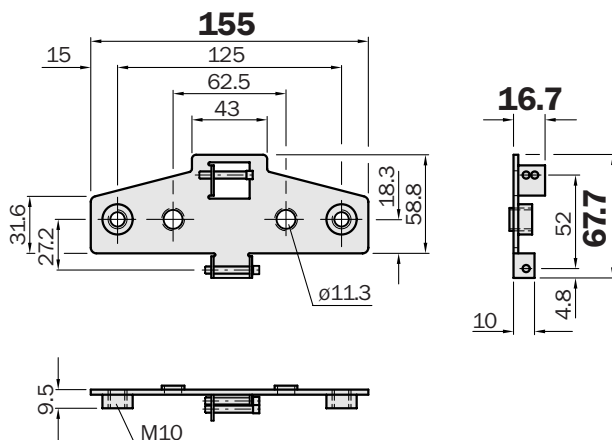
### Mounting bracket with ball-joint for V 18, IM 18, MM 18, CM 18

Type	Order no.
BEF-WN-M18-ST02	5 312 973



### Mounting bracket for WTR

Type	Order no.
BEF-WN-WTR	2 017 417

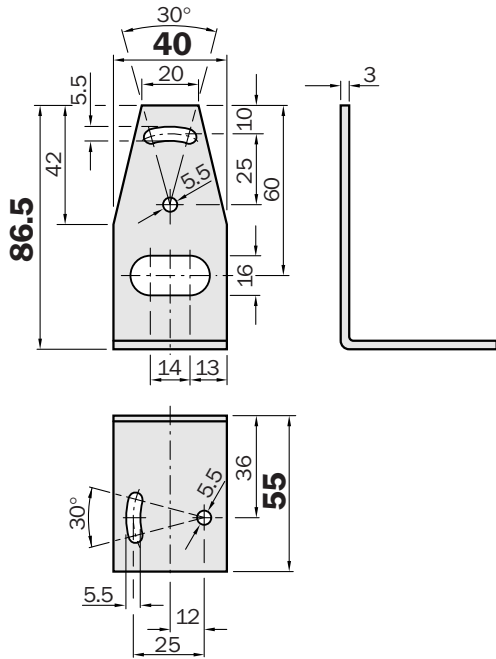




Dimensional drawings and order information

Mounting bracket for WLG 12

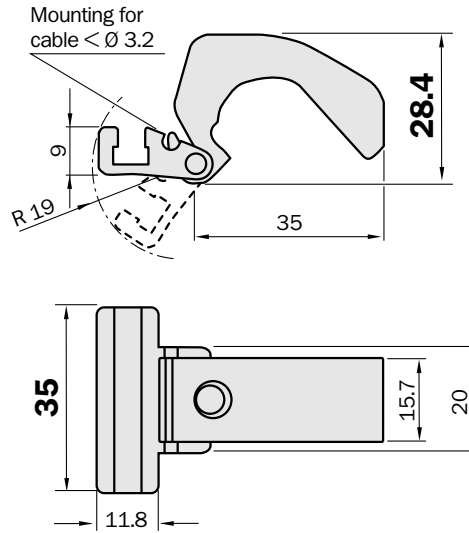
Type	Order no.
BEF-WN-WLG12	2 017 567



Mounting bracket for profile-/tie-rod cylinders

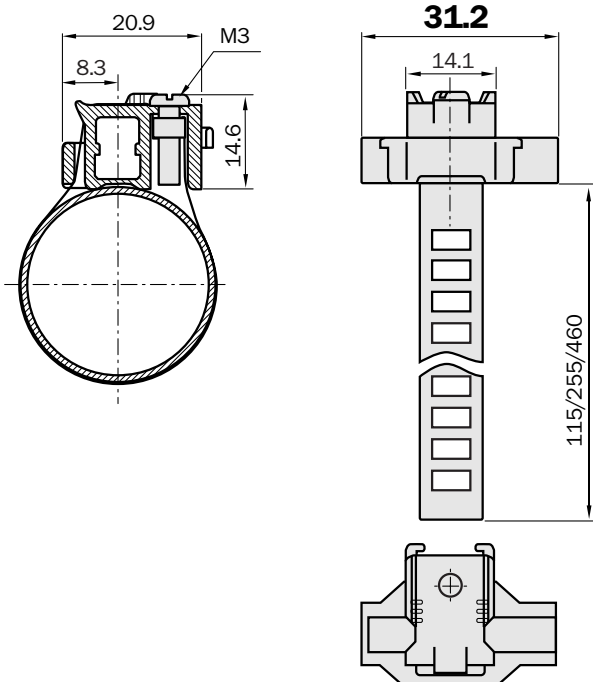
MZT 6/RZT 6, MZT 1/RZT 1

Type	Order no.
BEF-KHZ-PT1	2 022 702



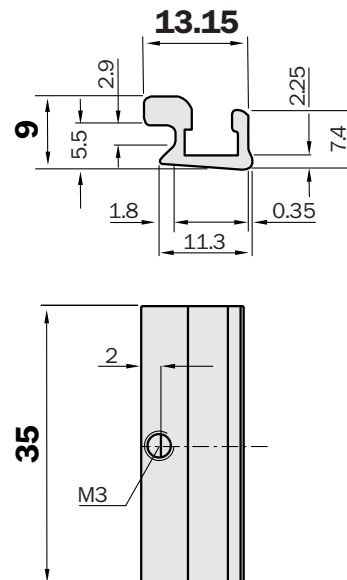
Mounting bracket for round body cylinder/piston diameters of 8 ... 25 mm for MZT 6/RZT 6, MZT 1/RZT 1

Type	Order no.
BEF-KHZ-RT1-25	5 311 171
BEF-KHZ-RT1-63	5 311 172



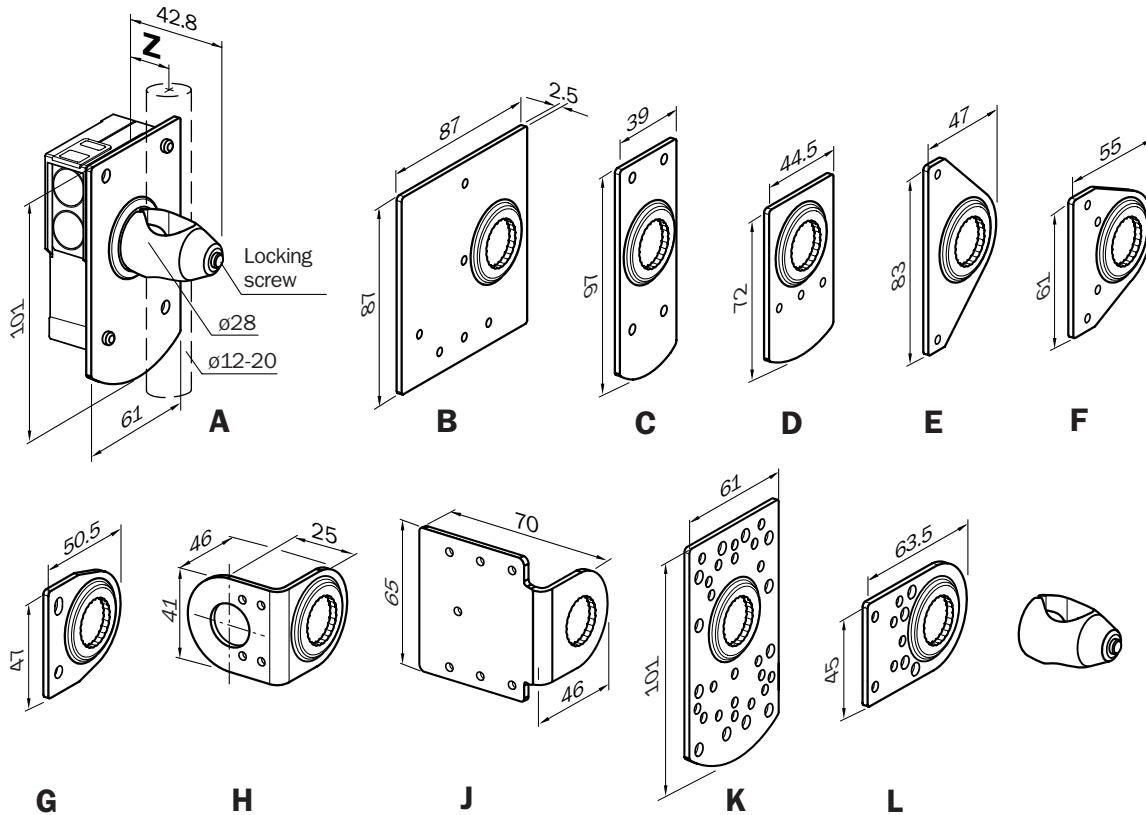
Mounting bracket for cylinders with a dovetail slot for MZT 6/RZT 6, MZT 1/RZT 1

Type	Order no.
BEF-KHZ-ST1	2 022 703



## Dimensional drawings and order information

### Universal bar clamps for sensors and reflectors



Distance Z	
Bar centre – inner plate surface	
Bar- $\phi$ in mm	Distance Z in mm
12	15.0
14	16.4
15	17.1
18	19.2
20	20.7

Mounting plates*	Type	Order no.**	for device/reflector type
A	BEF-KHS-A01	2 022 458	W 23, W 27-2
B	BEF-KHS-B01	2 022 459	P 250, P 250 F, PL 30 A, PL 40 A, PL 50 A, PL 80 A, C 110
C	BEF-KHS-C01	2 022 460	W 14-2, W 18-3
D	BEF-KHS-D01	2 022 461	W 11, W 12-2, W 12L-2, KT 2
E	BEF-KHS-E01	2 022 462	W 30, W 32, W 34, W 36
F	BEF-KHS-F01	2 022 463	PL 20 A, PL 20 F, P 250, P 250 F, W 260
G	BEF-KHS-G01	2 022 464	W 24-2, W 24 Exi, WTA 24, KT 5, KT 10, CS 1/3, LUT 3
H	BEF-KHS-H01	2 022 465	V 18, W 4-2, IM 18, MM 18, CM 18, UM 18
J	BEF-KHS-J01	2 022 719	PL 20 A, PL 20 F, PL 40 A, PL 50 A, P 250, P 250 F, C 110
K	BEF-KHS-K01	2 022 718	W 11, W 12-2, W 12L-2, W 14-2, W 18-3, W 23, W 24-2, W 27-2, W 30, W 32, W 34, KT 2, KT 5, KT 10, CS 1/3, LUT 3, DS 60, PL 20 A, PL 20 F, PL 30 A, PL 40 A, PL 50 A, PL 80 A, P 250, P 250 F, C 110
L	BEF-KHS-L01	2 023 057	W 9-2, KT 3, P 250, P 250 F, W 250, W 140-2
	BEF-KHS-KH1	2 022 726	Clamp without mounting plate

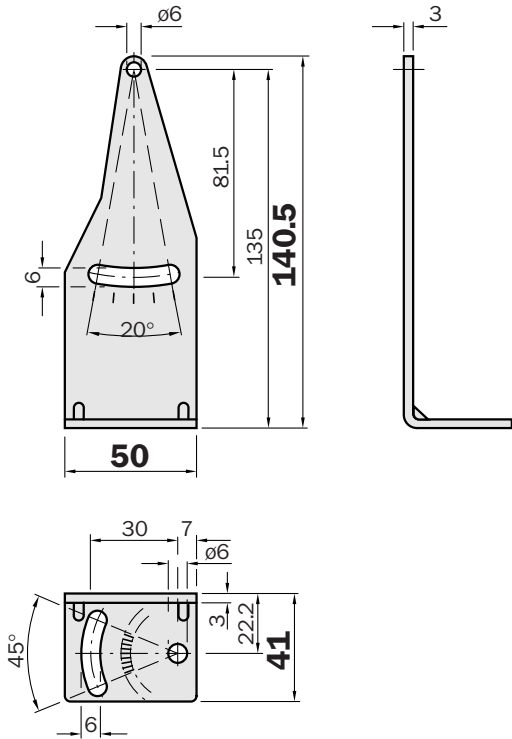
\* Further plates available on request

\*\* Order no. includes bar support and mounting material

Dimensional drawings and order information

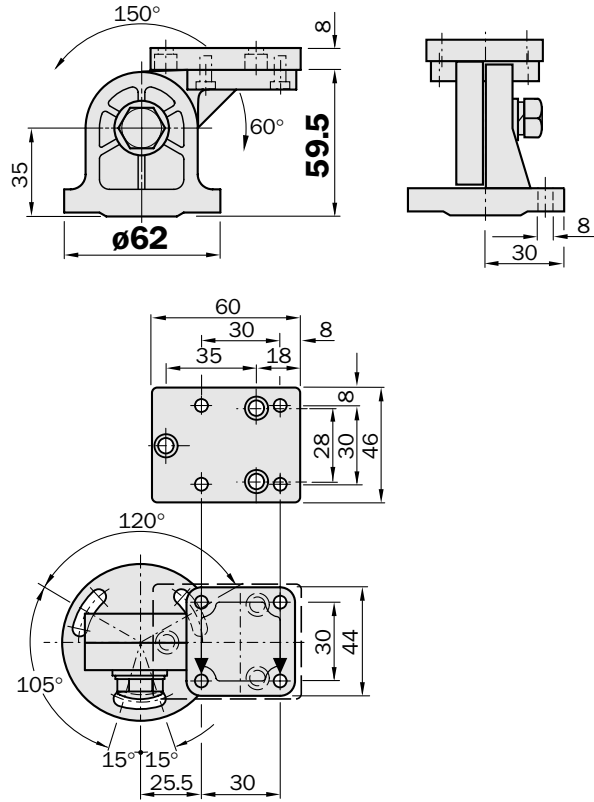
Mounting bracket for DS 60

Type	Order no.
BEF-WN-DS60	4 032 937



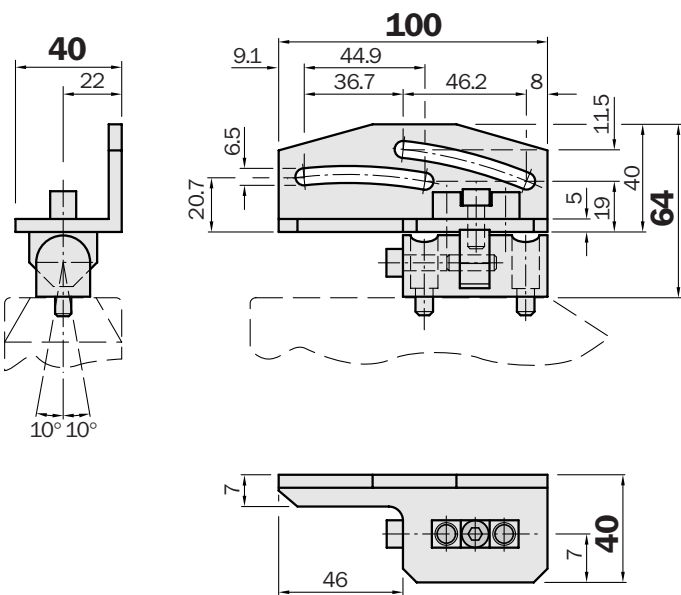
Articulated mounting for DME 2000/3000

Type	Order no.
BEF-GH-DME	2 015 229



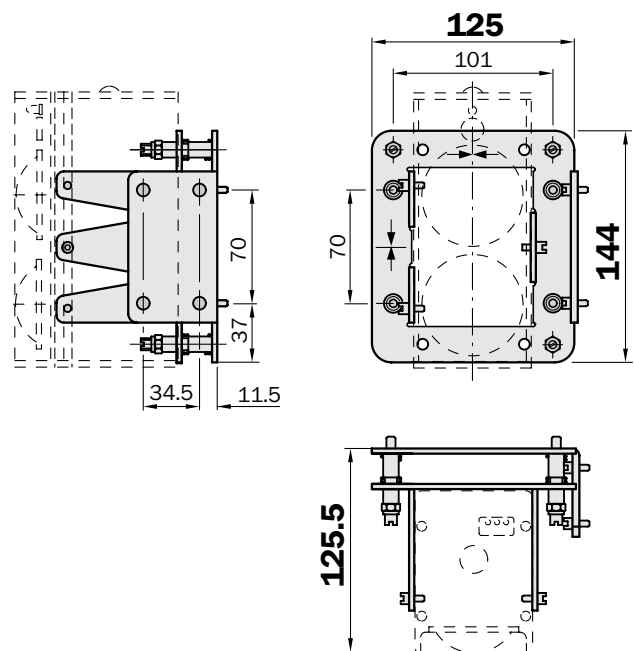
Articulated mounting for DMH/DMP

Type	Order no.
BEF-GH-DMH2	2 020 796



Three-point mounting for ISD 230, 260, 280

Type	Order no.
BEF-KH-ISD	5 306 369



## Connectors

### Selection table for connector and cable

SENSICK round connector M8 x 1 mm, M12 x 1 mm, terminal screwed		
Description	Order no.	Type
Female connector M8, 3-pin, straight	7 902 077	DOS-0803-G
Female connector M8, 3-pin, angled	7 902 078	DOS-0803-W
Female connector, M8, 4-pin, straight	6 009 974	DOS-0804-G
Female connector, M8, 4-pin, angled	6 009 975	DOS-0804-W
Female connector, M12, 4-pin, straight	6 007 302	DOS-1204-G
Female connector, M12, 4-pin, angled	6 007 303	DOS-1204-W
Male connector, M12, 4-pin, straight (only in conjunction with round plug connectors)	6 009 932	STE-1204-G
Male connector, M12, 4-pin, angled (only in conjunction with round plug connectors)	6 022 084	STE-1204-W
Female connector, M12, 4-pin, straight, V4A-hexagon nut	6 028 357	DOS-1204-GN
Female connector, M12, 4-pin, angled, V4A-hexagon nut	6 028 358	DOS-1204-WN
Male connector, M12, 4-pin, straight, V4A-hexagon nut (only in conjunction with round plug connectors)	6 028 359	STE-1204-GN
Male connector, M12, 4-pin, straight, duo-junction, V4A-hexagon nut (only in conjunction with round plug connectors)	6 028 360	STE-1204-TN
Female connector, M12, 5-pin, straight	6 009 719	DOS-1205-G
Female connector, M12, 5-pin, angled	6 009 720	DOS-1205-W

SENSICK round connector M8 x 1 mm, M12 x 1 mm, PVC		
Description	Order no.	Type
Female connector, M8, 3-pin, straight, cable 2 m	6 010 785	DOL-0803-G02M
Female connector, M8, 3-pin, straight, cable 5 m	6 022 010	DOL-0803-G05M
Female connector, M8, 3-pin, straight, cable 10 m	6 022 011	DOL-0803-G10M
Female connector, M8, 3-pin, angled, cable 2 m	6 008 489	DOL-0803-W02M
Female connector, M8, 3-pin, angled, cable 5 m	6 022 009	DOL-0803-W05M
Female connector, M8, 3-pin, angled, cable 10 m	6 022 012	DOL-0803-W10M
Female connector, M8, 4-pin, straight, cable 2 m	6 009 870	DOL-0804-G02M
Female connector, M8, 4-pin, straight, cable 5 m	6 009 872	DOL-0804-G05M
Female connector, M8, 4-pin, straight, cable 10 m	6 010 754	DOL-0804-G10M
Female connector, M8, 4-pin, angled, cable 2 m	6 009 871	DOL-0804-W02M
Female connector, M8, 4-pin, angled, cable 5 m	6 009 873	DOL-0804-W05M
Female connector, M8, 4-pin, angled, cable 10 m	6 010 755	DOL-0804-W10M
Female connector, M12, 4-pin, straight, cable 2 m	6 009 382	DOL-1204-G02M
Female connector, M12, 4-pin, straight, cable 5 m	6 009 866	DOL-1204-G05M
Female connector, M12, 4-pin, straight, cable 10 m	6 010 543	DOL-1204-G10M
Female connector, M12, 4-pin, straight, cable 15 m	6 010 753	DOL-1204-G15M
Female connector, M12, 4-pin, angled, cable 2 m	6 009 383	DOL-1204-W02M
Female connector, M12, 4-pin, angled, cable 5 m	6 009 867	DOL-1204-W05M
Female connector, M12, 4-pin, angled, cable 10 m	6 010 541	DOL-1204-W10M
Female connector, M12, 4-pin, angled, cable 2 m, LED	6 027 945	DOL-1204-L02M
Female connector, M12, 4-pin, angled, cable 5 m, LED	6 027 944	DOL-1204-L05M
Female connector, M12, 4-pin, angled, cable 10 m, LED	6 027 946	DOL-1204-L10M
Female connector, M12, 5-pin, straight, cable 2 m	6 008 899	DOL-1205-G02M
Female connector, M12, 5-pin, straight, cable 5 m	6 009 868	DOL-1205-G05M
Female connector, M12, 5-pin, straight, cable 10 m	6 010 544	DOL-1205-G10M
Female connector, M12, 5-pin, angled, cable 2 m	6 008 900	DOL-1205-W02M
Female connector, M12, 5-pin, angled, cable 5 m	6 009 869	DOL-1205-W05M
Female connector, M12, 5-pin, angled, cable 10 m	6 010 542	DOL-1205-W10M
Female connector, M12, 5-pin, straight, cable 5 m, shielded, shield on PIN 5	6 010 474	DOL-1205-G05MX

SENSICK round connector M8 x 1 mm, M12 x 1 mm, PUR halogenfree		
Description	Order no.	Type
Female connector, M8, 3-pin, straight, cable 2 m	6 025 888	DOL-0803-G02MC
Female connector, M8, 3-pin, straight, cable 5 m	6 025 889	DOL-0803-G05MC
Female connector, M8, 3-pin, straight, cable 10 m	6 025 890	DOL-0803-G10MC
Female connector, M8, 3-pin, angled, cable 2 m	6 025 891	DOL-0803-W02MC
Female connector, M8, 3-pin, angled, cable 5 m	6 025 892	DOL-0803-W05MC
Female connector, M8, 3-pin, angled, cable 10 m	6 025 893	DOL-0803-W10MC
Female connector, M8, 4-pin, straight, cable 2 m	6 025 894	DOL-0804-G02MC
Female connector, M8, 4-pin, straight, cable 5 m	6 025 895	DOL-0804-G05MC
Female connector, M8, 4-pin, straight, cable 10 m	6 025 896	DOL-0804-G10MC
Female connector, M8, 4-pin, angled, cable 2 m	6 025 897	DOL-0804-W02MC
Female connector, M8, 4-pin, angled, cable 5 m	6 025 898	DOL-0804-W05MC
Female connector, M8, 4-pin, angled, cable 10 m	6 025 899	DOL-0804-W10MC
Female connector, M12, 4-pin, straight, cable 2 m	6 025 900	DOL-1204-G02MC
Female connector, M12, 4-pin, straight, cable 5 m	6 025 901	DOL-1204-G05MC
Female connector, M12, 4-pin, straight, cable 10 m	6 025 902	DOL-1204-G10MC
Female connector, M12, 4-pin, angled, cable 2 m	6 025 903	DOL-1204-W02MC
Female connector, M12, 4-pin, angled, cable 5 m	6 025 904	DOL-1204-W05MC
Female connector, M12, 4-pin, angled, cable 10 m	6 025 905	DOL-1204-W10MC
Male connector, M12, 4-pin, straight, cable 2 m	6 028 077	STL-1204-G02MC
Female connector, M12, 5-pin, straight, cable 2 m	6 025 906	DOL-1205-G02MC
Female connector, M12, 5-pin, straight, cable 5 m	6 025 907	DOL-1205-G05MC
Female connector, M12, 5-pin, straight, cable 10 m	6 025 908	DOL-1205-G10MC
Female connector, M12, 5-pin, angled, cable 2 m	6 025 909	DOL-1205-W02MC
Female connector, M12, 5-pin, angled, cable 5 m	6 025 910	DOL-1205-W05MC
Female connector, M12, 5-pin, angled, cable 10 m	6 025 911	DOL-1205-W10MC







## Connectors

### Selection table for connector and cable

<b>SENSICK round connector M12 x 1 mm "Food &amp; Beverage", PVC, V4A, IP 69K</b>		
Description	Order no.	Type
Female connector, M12, 4-pin, straight, cable 2 m	6 028 128	DOL-1204-G02MN
Female connector, M12, 4-pin, straight, cable 5 m	6 028 130	DOL-1204-G05MN
Female connector, M12, 4-pin, straight, cable 10 m	6 028 132	DOL-1204-G10MN
Female connector, M12, 4-pin, straight, cable 25 m	6 028 134	DOL-1204-G25MN
Female connector, M12, 4-pin, angled, cable 2 m	6 028 129	DOL-1204-W02MN
Female connector, M12, 4-pin, angled, cable 5 m	6 028 131	DOL-1204-W05MN
Female connector, M12, 4-pin, angled, cable 10 m	6 028 133	DOL-1204-W10MN
Female connector, M12, 4-pin, angled, cable 25 m	6 028 135	DOL-1204-W25MN
Female connector, M12, 4-pin, angled, cable 2 m, LED	6 028 136	DOL-1204-L02MN
Female connector, M12, 4-pin, angled, cable 5 m, LED	6 028 137	DOL-1204-L05MN
Female connector, M12, 4-pin, angled, cable 10 m, LED	6 028 138	DOL-1204-L10MN
Female connector, M12, 4-pin, angled, cable 25 m, LED	6 028 139	DOL-1204-L25MN
Female connector, M12, 5-pin, straight, cable 2 m	6 028 140	DOL-1205-G02MN
Female connector, M12, 5-pin, straight, cable 5 m	6 028 141	DOL-1205-G05MN
Female connector, M12, 5-pin, straight, cable 10 m	6 028 142	DOL-1205-G10MN
Female connector, M12, 5-pin, straight, cable 25 m	6 028 143	DOL-1205-G25MN

<b>SENSICK extension cable M8 x 1 mm, M12 x 1 mm, PVC</b>		
Description	Order no.	Type
Extension cable, 0.6 m, female connector: M8, 3-pin, straight, male connector: M12, 3-pin, straight	6 022 570	DSL-8203-G0M6
Extension cable, 2 m, female connector: M8, 3-pin, straight, male connector: M12, 3-pin, straight	6 022 572	DSL-8203-G02M
Extension cable, 0.6 m, female connector: M8, 4-pin, straight, male connector: M12, 4-pin, straight	6 022 571	DSL-8204-G0M6
Extension cable, 2 m, female connector: M8, 4-pin, straight, male connector: M12, 4-pin, straight	6 022 573	DSL-8204-G02M
Extension cable, 0.6 m, female connector: M12, 4-/3-pin, straight, male connector: M12, 3-pin, straight*	6 022 564	DSL-1203-G0M6
Extension cable, 2 m, female connector: M12, 4-/3-pin, straight, male connector: M12, 3-pin, straight*	6 022 566	DSL-1203-G02M
Extension cable, 5 m, female connector: M12, 4-/3-pin, straight, male connector: M12, 3-pin, straight*	6 022 568	DSL-1203-G05M
Extension cable, 0.6 m, female connector: M12, 4-pin, straight, male connector: M12, 4-pin, straight	6 022 565	DSL-1204-G0M6
Extension cable, 2 m, female connector: M12, 4-pin, straight, male connector: M12, 4-pin, straight	6 022 567	DSL-1204-G02M
Extension cable, 5 m, female connector: M12, 4-pin, straight, male connector: M12, 4-pin, straight	6 022 569	DSL-1204-G05M

\* Assignment 4-pin (3 contacts/1 blind hole)

<b>SENSICK extension cable M8 x 1 mm, M12 x 1 mm, PUR-halogenfree</b>		
Description	Order no.	Type
Extension cable, 0.6 m, female connector: M8, 3-pin, straight, male connector: M12, 3-pin, straight	6 025 914	DSL-8203-G0M6C
Extension cable, 2 m, female connector: M8, 3-pin, straight, male connector: M12, 3-pin, straight	6 025 915	DSL-8203-G02MC
Extension cable, 0.6 m, female connector: M8, 3-pin, angled, male connector: M12, 3-pin, straight	6 025 916	DSL-8203-B0M6C
Extension cable, 2 m, female connector: M8, 3-pin, angled, male connector: M12, 3-pin, straight	6 025 917	DSL-8203-B02MC
Extension cable, 0.6 m, female connector: M8, 4-pin, straight, male connector: M12, 4-pin, straight	6 025 918	DSL-8204-G0M6C
Extension cable, 2 m, female connector: M8 4-pin, straight, male connector: M12, 4-pin, straight	6 025 919	DSL-8204-G02MC
Extension cable, 0.6 m, female connector: M8, 4-pin, angled, male connector: M12, 4-pin, straight	6 025 920	DSL-8204-B0M6C
Extension cable, 2 m, female connector: M8, 4-pin, angled, male connector: M12, 4-pin, straight	6 025 921	DSL-8204-B02MC
Extension cable, 0.6 m, female connector: M12, 4-/3-pin, straight, male connector: M12, 3-pin, straight*	6 025 922	DSL-1203-G0M6C
Extension cable, 2 m, female connector: M12, 4-/3-pin, straight, male connector: M12, 3-pin, straight*	6 025 923	DSL-1203-G02MC
Extension cable, 0.6 m, female connector: M12, 4-/3-pin, angled, male connector: M12, 3-pin, straight*	6 025 924	DSL-1203-B0M6C
Extension cable, 2 m, female connector: M12, 4-/3-pin, angled, male connector: M12, 3-pin, straight*	6 025 925	DSL-1203-B02MC
Extension cable, 0.6 m, female connector: M12, 4-pin, straight, male connector: M12, 4-pin, straight	6 025 926	DSL-1204-G0M6C
Extension cable, 2 m, female connector: M12, 4-pin, straight, male connector: M12, 4-pin, straight	6 025 927	DSL-1204-G02MC
Extension cable, 0.6 m, female connector: M12, 4-pin, angled, male connector: M12, 4-pin, straight	6 025 928	DSL-1204-B0M6C
Extension cable, 2 m, female connector: M12, 4-pin, angled, male connector: M12, 4-pin, straight	6 025 929	DSL-1204-B02MC
Extension cable, 0.6 m, female connector: M12, 5-pin, straight, male connector: M12, 5-pin, straight	6 025 930	DSL-1205-G0M6C
Extension cable, 2 m, female connector: M12, 5-pin, straight, male connector: M12, 5-pin, straight	6 025 931	DSL-1205-G02MC

\* Assignment 4-pin (3 contacts/1 blind hole)

<b>SENSICK extension cable M12 x 1 mm "Food &amp; Beverage", PVC, V4A, IP 69K</b>		
Description	Order no.	Type
Extension cable, 0.6 m, female connector: M12, 4-pin, straight, male connector: M12, 4-pin, straight	6 028 194	DSL-1204-G0M6N
Extension cable, 2 m, female connector: M12, 4-pin, straight, male connector: M12, 4-pin, straight	6 028 195	DSL-1204-G02MN
Extension cable, 5 m, female connector: M12, 4-pin, straight, male connector: M12, 4-pin, straight	6 028 196	DSL-1204-G05MN
Extension cable, 0.6 m, female connector: M12, 4-pin, angled, male connector: M12, 4-pin, straight	6 028 197	DSL-1204-B0M6N
Extension cable, 2 m, female connector: M12, 4-pin, angled, male connector: M12, 4-pin, straight	6 028 198	DSL-1204-B02MN
Extension cable, 5 m, female connector: M12, 4-pin, angled, male connector: M12, 4-pin, straight	6 028 199	DSL-1204-B05MN

<b>SENSICK splitter boxes</b>		
Description		
"Food & Beverage", IP 69 K, V4A (1.4404/316 L)		
M12 x 1 mm, IP 67, type of connection: cable		
M12 x 1 mm, IP 67, type of connection: plug, M23		







## Connectors

### Selection table for connector and cable

<b>SENSICK round connector M12 x 1 mm, 8-pin, shielded</b>		
Description	Order no.	Type
Female connector, M12, straight, terminal screwed	6 028 422	DOS-1208-G
Female connector, M12, straight, shielded, 360° shield on locking nut, terminal screwed	6 028 369	DOS-1208-GA
Male connector, M12, straight, shielded, 360° shield on locking nut, terminal screwed	6 028 370	STE-1208-GA
Female connector, M12, straight, cable 2 m, PVC, shielded, 360° shield on locking nut	6 020 633	DOL-1208-G02MA
Female connector, M12, straight, cable 5 m, PVC, shielded, 360° shield on locking nut	6 020 993	DOL-1208-G05MA
Female connector, M12, straight, cable 10 m, PVC, shielded, 360° shield on locking nut	6 022 152	DOL-1208-G10MA
Female connector, M12, straight, cable 15 m, PVC, shielded, 360° shield on locking nut	6 022 153	DOL-1208-G15MA
Female connector, M12, angled, cable 2 m, PVC, shielded, shield on locking nut	6 020 992	DOL-1208-W02MA
Female connector, M12, angled, cable 5 m, PVC, shielded, shield on locking nut	6 021 033	DOL-1208-W05MA
Female connector, M12, straight, cable 2 m (7 wire), PUR, shield on PIN 8	6 010 748	DOL-1208-G02MB
Female connector, M12, straight, cable 2 m, PVC, shielded, 360° shield on locking nut, spec. colourcode	6 020 663	DOL-1208-G02MF
Female connector, M12, straight, cable 5 m, PVC, shielded, 360° shield on locking nut, spec. colourcode	6 020 664	DOL-1208-G05MF
Extension cable 1 m, female connector M12, 8-pin, straight, male connector M12, 8-pin, straight, PVC, shielded, 360° shield on locking nut	6 026 625	DSL-1208-G01MA

<b>SENSICK T-junction, M12, 4-, 8-pin</b>		
Description	Order no.	Type
T-junction with cable 0.3 m, female/male connector M12, 4-pin, (power supply and signal interrogation)	6 011 682	DSL-1204-TOM3
T-junction with cable 0.3 m, female/male connector M12, 4-pin, (power supply, signal interrogation and logic interrupt)	6 011 683	DSL-1104-TOM3
T-junction male connector M12, 8-pin, to 2 x female connector M12, 8-pin	6 026 503	SBO-02F12-SF

<b>SENSICK round connector, DIN 43651, 6-pin + PE</b>		
Description	Order no.	Type
Female connector, straight, terminal screwed	6 006 612	DOS-0606-G
Female connector, angled, terminal screwed	6 006 613	DOS-0606-W

<b>SENSICK round connector, IEC 130-9, M16 x 0.75 mm, 12-pin</b>		
Description	Order no.	Type
Female connector, M16, straight, terminal screwed	6 007 092	DOS-1612-G
Female connector, M16, angled, terminal screwed	6 007 988	DOS-1612-W
Female connector, order no. 6 007 092, cable 5 m, PVC	2 013 353	DOL-1612-5M-2
Female connector, order no. 6 007 092, cable 5 m, shielded, PVC	2 017 568	DOL-1612-5M-3

<b>SENSICK round connector, M16 x 0.75 mm, 8-pin, Profibus, SSi and RS 422</b>		
Description	Order no.	Type
Female connector, M16, straight, shielded, terminal screwed	6 025 726	DOS-1608-GA
Female connector, M16, angled, shielded, terminal screwed	6 025 727	DOS-1608-WA
Female connector, order no. 6 025 726, cable 5 m, PVC, shielded	2 026 742	DOL-1608-G05MA
Female connector, order no. 6 025 726, cable 10 m, PVC, shielded	2 027 193	DOL-1608-G10MA
Female connector, order no. 6 025 727, cable 5 m, PVC, shielded	2 026 743	DOL-1608-W05MA
Female connector, order no. 6 025 727, cable 10 m, PVC, shielded	2 027 194	DOL-1608-W10MA

<b>SENSICK Profibus-connector for DME</b>		
Description	Order no.	Type
Profibus-receptacle adapter (extension cable) with connector (female connector M16, male/female connector M12), cable 0.2 m	2 021 463	PR-ADPT-DME
Profibus-terminal resistor, male connector, M12, 4-pin, straight, B-coding	6 021 156	PR-STE-END
Profibus-female connector, M12, 5-pin, straight, shielded, B-coding	6 021 353	PR-DOS-1205-G
Profibus-male connector, M12, 5-pin, straight, shielded, B-coding	6 021 354	PR-STE-1205-G
Profibus-female connector, M12, 5-pin, straight, shielded, B-coding, with Profibus cable 5 m	6 026 006	DOL-12PR-G05M
Profibus-female connector, M12, 5-pin, straight, shielded, B-coding, with Profibus cable 10 m	6 026 007	DOL-12PR-G10M
Profibus-male connector, M12, 5-pin, straight, shielded, B-coding, with Profibus cable 5 m	6 026 005	STL-12PR-G05M
Profibus-male connector, M12, 5-pin, straight, shielded, B-coding, with Profibus cable 10 m	6 026 008	STL-12PR-G10M

<b>SENSICK DeviceNet-connector for DME 5000</b>		
Description	Order no.	Type
Female connector, M12, 5-pin, straight, shielded, 360° shield on locking nut, terminal screwed	6 027 534	DOS-1205-GA
Male connector, M12, 5-pin, straight, shielded, 360° shield on locking nut, terminal screwed	6 027 533	STE-1205-GA
DeviceNet-female connector, M12, 5-pin, straight, with dropcable 6 m	6 028 326	DOL-1205-G06MK
DeviceNet-extension cable 6 m, female connector M12, 5-pin, straight, male connector M12, 5-pin, straight, with dropcable	6 028 327	DSL-1205-G06MK
DeviceNet-T-junction female connector M12, 5-pin, male/female connector 7/8", 5-pin	6 028 330	SDO-02D78-SF
DeviceNet-terminal resistor, female connector 7/8", 5-pin, straight	6 028 329	DOS-7805-GKEND
DeviceNet-female connector, 7/8" 5-pin, straight, PG16, terminal screwed	6 028 331	DOS-7805-GK
DeviceNet-male connector, 7/8" 5-pin, straight, PG16, terminal screwed	6 028 332	STE-7805-GK



## Connectors

### Selection table for connector and cable

<b>SENSICK round connector M18 x 1 mm, 4-pin</b> Description	Order no.	Type
Female connector, M18, straight, terminal screwed	6 009 436	DOS-1804-G
Female connector, M18, angled, terminal screwed	6 009 437	DOS-1804-W

<b>SENSICK round connector R16 (M24), 6-pin + PE</b> Description	Order no.	Type
Male connector, straight, terminal screwed	6 004 193	STE-2606-G
Female connector, straight, terminal screwed	6 004 194	DOS-2606-G

<b>SENSICK rectangular connector, DIN 43650, type A, 3-pin + PE</b> Description	Order no.	Type
Female connector, angled, terminal screwed	6 005 698	DOS-0303-W

<b>SENSICK rectangular connector, DIN 43652, 7-pin + PE</b> Description	Order no.	Type
Female connector, angled, terminal screwed	2 007 901	DOS-2707-W
Female connector, order no. 2 007 901 with cable 2 m, PVC	2 006 545	DOL-2706-02M
Female connector, order no. 2 007 901 with cable 6 m, PVC	2 006 860	DOL-2706-06M
Female connector, order no. 2 007 901 with cable 10 m, PVC	2 007 595	DOL-2706-10M

<b>SENSICK rectangular connector Q6, 6-pin, DC-coding</b> Description	Order no.	Type
Female connector, angled, terminal screwed	6 006 710	DOS-1306-W
Female connector, order no. 6 006 710 with cable 2 m, PVC	2 009 477	DOL-1306-02M
Female connector, order no. 6 006 710 with cable 3 m, PVC	2 009 478	DOL-1306-03M
Female connector, order no. 6 006 710 with cable 5.5 m, PVC	2 009 479	DOL-1306-05M5
Female connector, order no. 6 006 710 with cable 10 m, PVC	2 009 480	DOL-1306-10M

<b>SENSICK rectangular connector Q6, 6-pin, AC-/UC-coding</b> Description	Order no.	Type
Female connector, angled, terminal screwed	6 006 685	DOS-1406-W
Female connector, order no. 6 006 685 with cable 2 m, PVC	2 009 116	DOL-1406-02M
Female connector, order no. 6 006 685 with cable 3 m, PVC	2 009 117	DOL-1406-03M
Female connector, order no. 6 006 685 with cable 5.5 m, PVC	2 009 118	DOL-1406-05M5
Female connector, order no. 6 006 685 with cable 10 m, PVC	2 009 119	DOL-1406-10M

<b>SENSICK rectangular connector Q7, 7-pin, DC-coding</b> Description	Order no.	Type
Female connector, angled, terminal screwed	6 006 823	DOS-2107-W

<b>SENSICK rectangular connector Q7, 7-pin, AC-coding</b> Description	Order no.	Type
Female connector, angled, terminal screwed	6 006 821	DOS-2207-W

<b>SENSICK cable for parameterise (MLG), M8 x 1 mm, SUB D9</b> Description	Order no.	Type
Extension cable 2 m, female connector M8, 4-pin, straight	2 023 695	DSL-8D04-G02M

<b>SENSICK special connector for WLL 190 T</b> Description	Order no.	Type
Cable 2 m, (Master, 3 active pins)	6 026 578	DOL-LL1903-02M
Cable 5 m, (Master, 3 active pins)	6 028 379	DOL-LL1903-05M
Cable 2 m, (Slave, 1 active pin)	6 026 579	DOL-LL1901-02M
Cable 5 m, (Slave, 1 active pin)	6 028 380	DOL-LL1901-05M



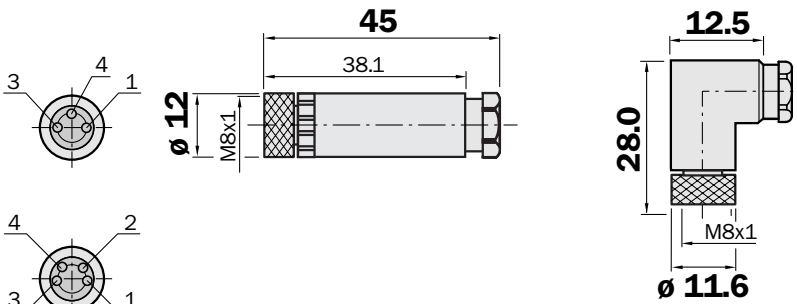
**M8, M12  
terminal screwed**

Round connectors

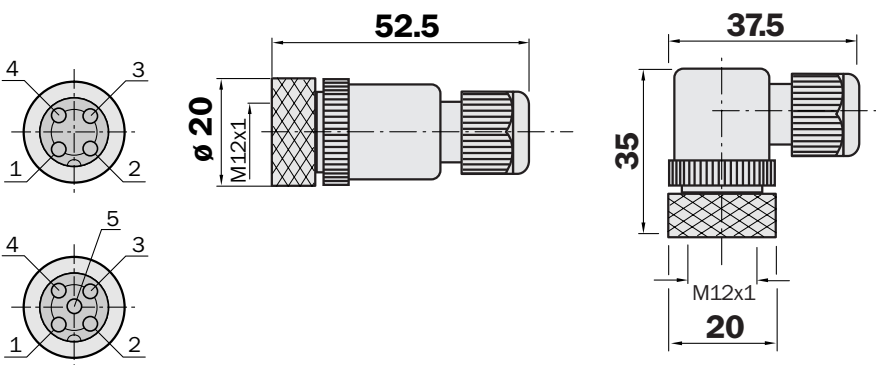
- Terminal screwed
- Enclosure rating IP 67  
(only in fully locked position with its plugs)
- Good resistance to oil and chemicals
- Housing material PA
- Locking nut V4A  
(only DOS-...N, STE-...N)

Dimensional drawings

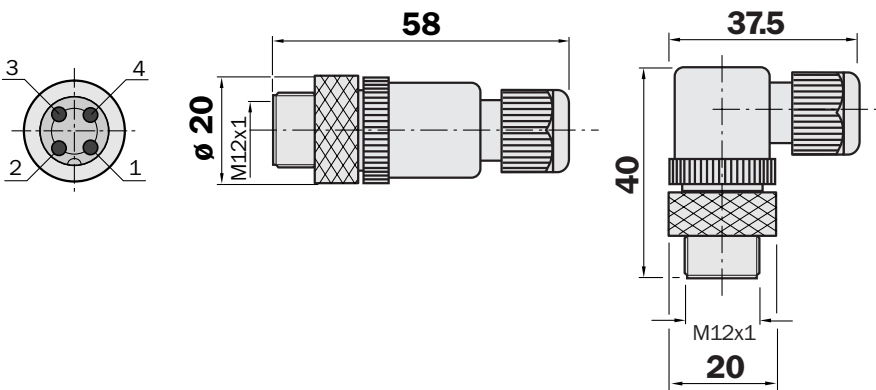
DOS-08...



DOS-12...



STE-1204...



(Except M8-connectors)



**Technical data**

<b>Nominal voltage U<sub>b</sub></b>	60 V AC/75 V DC (M8-connector)
	125 V AC/150 V DC (M12 4-pin-connector)
	30 V AC/36 V DC (M12, 5-pin-connector)
<b>Nominal power</b>	4 A
<b>Testvoltage</b>	1.5 kV eff./60 s. (M8-connector)
	1.25 kV eff./60 s. (M12, 4-pin-connector)
	1.0 kV eff./60 s. (M12, 5-pin-connector)
<b>Insulation group</b>	C acc. VDE 0110
<b>Insulation resistance</b>	> 10 <sup>9</sup> Ω
<b>Max. wire section</b>	Max. 0.5 mm <sup>2</sup> (M8-connector)
	Max. 0.75 mm <sup>2</sup> (M12-connector)
<b>Temperature range</b>	-25 °C ... +90 °C
<b>Enclosure rating</b>	IP 67 <sup>1)</sup>
<b>Locking nut</b>	CuZn, brass nickeled
	V4A (1.4404) (DOS-12...N, STE-12...N)
<b>Housing</b>	PA, black (self-extinguishing)

<sup>1)</sup> Only in fully locked position with its plugs

**Order information**

**Round connectors M8 terminal screwed**

Type	Order no.	Description	Contacts	Locking nut	Cable Ø [mm]
DOS-0803-G	7 902 077	Female connector   straight	3	CuZn	3.5 ... 5.0
DOS-0803-W	7 902 078	Female connector   angled	3	CuZn	3.5 ... 5.0
DOS-0804-G	6 009 974	Female connector   straight	4	CuZn	3.5 ... 5.0
DOS-0804-W	6 009 975	Female connector   angled	4	CuZn	3.5 ... 5.0

**Round connectors M12 terminal screwed**

Type	Order no.	Description	Contacts	Locking nut	Cable Ø [mm]
DOS-1204-G	6 007 302	Female connector   straight	4	CuZn	3 ... 6.5
DOS-1204-W	6 007 303	Female connector   angled	4	CuZn	3 ... 6.5
STE-1204-G	6 009 932	Male connector   straight	4	CuZn	3 ... 6.5
STE-1204-W	6 022 084	Male connector   angled	4	CuZn	3 ... 6.5
DOS-1204-GN	6 028 357	Female connector   straight	4	V4A	3 ... 6.5
DOS-1204-WN	6 028 358	Female connector   angled	4	V4A	3 ... 6.5
STE-1204-GN	6 028 359	Male connector   straight	4	V4A	3 ... 6.5
STE-1204-TN	6 028 360	Duo-male connector   straight	4	V4A	3 ... 6.5 (2 x)
DOS-1205-G	6 009 719	Female connector   straight	5	CuZn	3 ... 6.5
DOS-1205-W	6 009 720	Female connector   angled	5	CuZn	3 ... 6.5

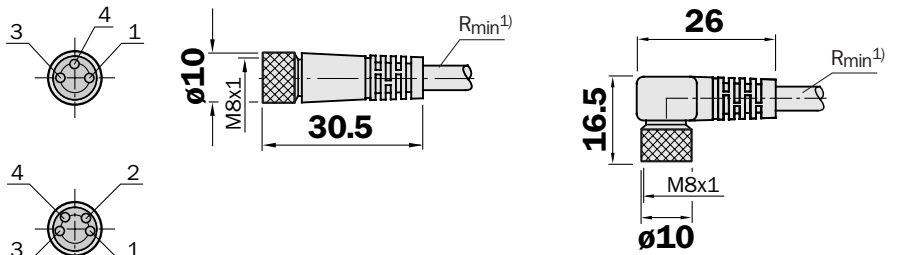
## Connecting cables PVC

### Round connectors

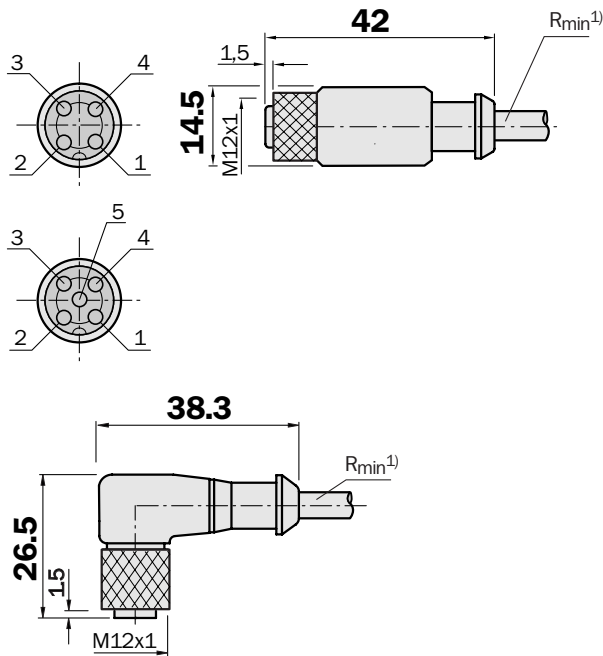
- Gold plated pins
- Self locking threaded
- Conditional resistance to chemicals and oils
- Especially suitable for use in assembly, packaging and production lines
- Enclosure rating IP 68 (M12)/IP 67 (M8) (only in fully locked position with its plugs)

### Dimensional drawings

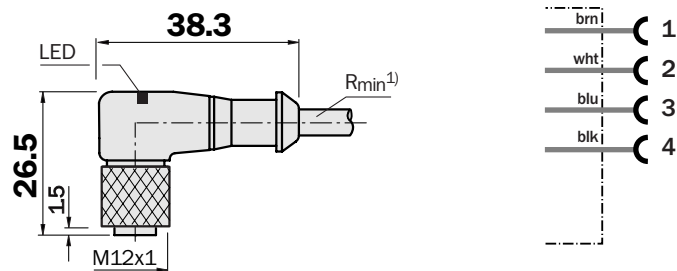
#### DOL-08...



#### DOL-12...



#### DOL-1204-L...



Contacts	Wire colour
1	brown
2	white
3	blue
4	black
5	grey

1) Minimum bend radius in dynamic use  
 $R_{min} = 20 \times \text{cable diameter}$



(for M8-connector in preparation)

Technical data	
<b>Nominal voltage U<sub>b</sub></b>	60 V AC/75 V DC (M8-connector)
	250 V AC/300 V DC (M12, 4-pin-connector)
	30 V AC/36 V DC (M12, 5-pin-connector)
	10 ... 30 V DC (M12, LED-indicator)
<b>Contact resistance</b>	≤ 5 mΩ
<b>Nominal power</b>	4 A (CSA = 3 A)
<b>Testvoltage</b>	2.0 kV eff./60 s. (M12, 4-pin-connector)
	1.5 kV eff./60 s. (M8-connector and M12, 5-pin)
<b>Insulation group</b>	C acc. VDE 0110
<b>Insulation resistance</b>	> 10 <sup>9</sup> Ω
<b>Temperature range</b>	In fixed position            -40 °C ... +80 °C
	In flexible motion            +5 °C ... +80 °C
<b>Bending radius</b>	> 10 x diameter of cable (in flexible motion)
	5 x diameter of cable (in fixed position)
<b>Contact</b>	CuZn, 0.3 μm gold plated
<b>Locking nut</b>	CuZn, brass nickeled
<b>Cable</b>	PVC, colour orange
<b>Conductor diameter</b>	3 x 0.34 mm <sup>2</sup>
	4 x 0.25 mm <sup>2</sup>
	5 x 0.5 mm <sup>2</sup>
<b>Connector</b>	TPU, colour orange

**Order information**

**Round connectors M8 connecting cable , PVC**

Type	Order no.	Description	Contacts	Cable length [m]
DOL-0803-G02M	6 010 785	Female connector straight	3	2
DOL-0803-G05M	6 022 010	Female connector straight	3	5
DOL-0803-G10M	6 022 011	Female connector straight	3	10
DOL-0803-W02M	6 008 489	Female connector angled	3	2
DOL-0803-W05M	6 022 009	Female connector angled	3	5
DOL-0803-W10M	6 022 012	Female connector angled	3	10
DOL-0804-G02M	6 009 870	Female connector straight	4	2
DOL-0804-G05M	6 009 872	Female connector straight	4	5
DOL-0804-G10M	6 010 754	Female connector straight	4	10
DOL-0804-W02M	6 009 871	Female connector angled	4	2
DOL-0804-W05M	6 009 873	Female connector angled	4	5
DOL-0804-W10M	6 010 755	Female connector angled	4	10

**Round connectors M12 connecting cable, PVC**

Type	Order no.	Description	Contacts	Cable length [m]
DOL-1204-G02M	6 009 382	Female connector straight	4	2
DOL-1204-G05M	6 009 866	Female connector straight	4	5
DOL-1204-G10M	6 010 543	Female connector straight	4	10
DOL-1204-G15M	6 010 753	Female connector straight	4	15
DOL-1204-W02M	6 009 383	Female connector angled	4	2
DOL-1204-W05M	6 009 867	Female connector angled	4	5
DOL-1204-W10M	6 010 541	Female connector angled	4	10
DOL-1204-L02M	6 027 945	Female connector angled LED (PNP)	4	2
DOL-1204-L05M	6 027 944	Female connector angled LED (PNP)	4	5
DOL-1204-L10M	6 027 946	Female connector angled LED (PNP)	4	10
DOL-1205-G02M	6 008 899	Female connector straight	5	2
DOL-1205-G05M	6 009 868	Female connector straight	5	5
DOL-1205-G10M	6 010 544	Female connector straight	5	10
DOL-1205-W02M	6 008 900	Female connector angled	5	2
DOL-1205-W05M	6 009 869	Female connector angled	5	5
DOL-1205-W10M	6 010 542	Female connector angled	5	10
DOL-1205-G05MX	6 010 474	Female connector straight (shielded PIN 5)	5	5

**Connecting cables  
PUR halogenfree**

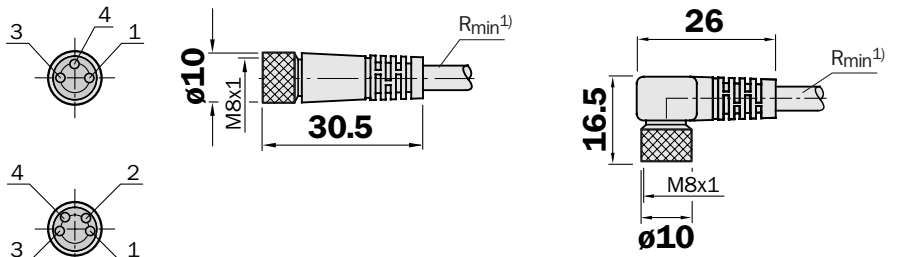
**Round connectors**

- Gold plated pins
- Halogenfree, PVC-free, silicone-free-cable
- Flame-retardant IEC 332-2
- Resisting to coolants and lubricants
- Suitable for use with drag chains
- Resistant against hydrolysis
- Enclosure rating IP 67 (M8)/IP 68 (M12) (only in fully locked position with its plugs)

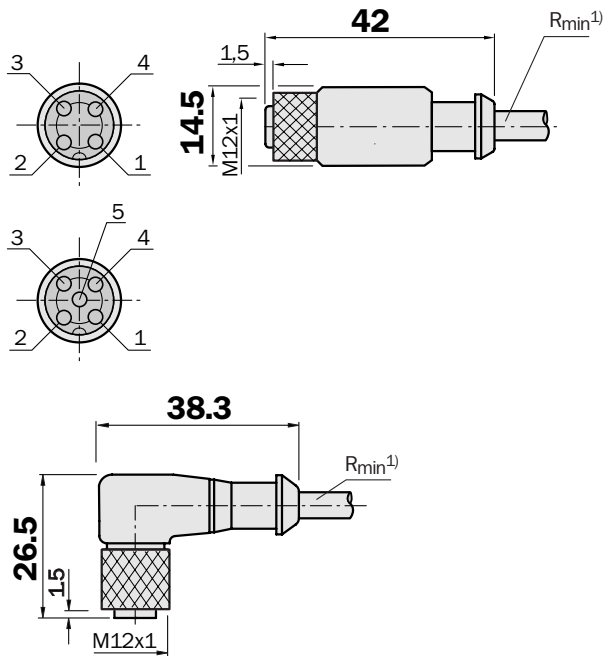


**Dimensional drawings**

**DOL-08...**



**DOL-12...**



(for M8-connector in preparation)

Contacts	Wire colour
1	brown
2	white
3	blue
4	black
5	grey

1) Minimum bend radius in dynamic use  
 $R_{min} = 20 \times \text{cable diameter}$

Technical data	
<b>Nominal voltage U<sub>b</sub></b>	60 V AC/75 V DC (M8-connector)
	250 V AC/300 V DC (M12, 4-pin-connector)
	30 V AC/36 V DC (M12, 5-pin-connector)
<b>Contact resistance</b>	≤ 5 mΩ
<b>Nominal power</b>	4 A (CSA = 3 A)
<b>Testvoltage</b>	2.0 kV eff./60 s. (M12, 4-pin-connector)
	1.5 kV eff./60 s. (M8-connector and M12, 5-pin-connector)
<b>Insulation group</b>	C acc. VDE0110
<b>Insulation resistance</b>	> 10 <sup>9</sup> Ω
<b>Temperature range</b>	In fixed position            -40 °C ... +80 °C
	In flexible motion            -25 °C ... +80 °C
<b>Bending radius</b>	> 10 x diameter of cable
<b>Guaranteed bending cycles</b>	> 2 million
<b>Max. allowed speed up</b>	5 m/sec <sup>2</sup>
<b>Max. speed</b>	200 m/min (for 5 m horizontal path)
<b>Contact</b>	CuZn, gold plated
<b>Locking nut</b>	CuZn, brass nickeled
<b>Cable</b>	Colour black, PUR halogenfree
<b>Conductor diameter</b>	3 x 0.34 mm <sup>2</sup>
	4 x 0.34 mm <sup>2</sup>
	5 x 0.5 mm <sup>2</sup>
<b>Connector</b>	Colour black

#### Order information

Round connectors M8 connecting cable PUR halogenfree					
Type	Order no.	Description		Contacts	Cable length [m]
DOL-0803-G02MC	6 025 888	Female connector	straight	3	2
DOL-0803-G05MC	6 025 889	Female connector	straight	3	5
DOL-0803-G10MC	6 025 890	Female connector	straight	3	10
DOL-0803-W02MC	6 025 891	Female connector	angled	3	2
DOL-0803-W05MC	6 025 892	Female connector	angled	3	5
DOL-0803-W10MC	6 025 893	Female connector	angled	3	10
DOL-0804-G02MC	6 025 894	Female connector	straight	4	2
DOL-0804-G05MC	6 025 895	Female connector	straight	4	5
DOL-0804-G10MC	6 025 896	Female connector	straight	4	10
DOL-0804-W02MC	6 025 897	Female connector	angled	4	2
DOL-0804-W05MC	6 025 898	Female connector	angled	4	5
DOL-0804-W10MC	6 025 899	Female connector	angled	4	10

Round connectors M12 connecting cable PUR halogenfree					
Type	Order no.	Description		Contacts	Cable length [m]
DOL-1204-G02MC	6 025 900	Female connector	straight	4	2
DOL-1204-G05MC	6 025 901	Female connector	straight	4	5
DOL-1204-G10MC	6 025 902	Female connector	straight	4	10
DOL-1204-W02MC	6 025 903	Female connector	angled	4	2
DOL-1204-W05MC	6 025 904	Female connector	angled	4	5
DOL-1204-W10MC	6 025 905	Female connector	angled	4	10
STL-1204-G02MC	6 028 077	Male connector	straight	4	2
DOL-1205-G02MC	6 025 906	Female connector	straight	5	2
DOL-1205-G05MC	6 025 907	Female connector	straight	5	5
DOL-1205-G10MC	6 025 908	Female connector	straight	5	10
DOL-1205-W02MC	6 025 909	Female connector	angled	5	2
DOL-1205-W05MC	6 025 910	Female connector	angled	5	5
DOL-1205-W10MC	6 025 911	Female connector	angled	5	10

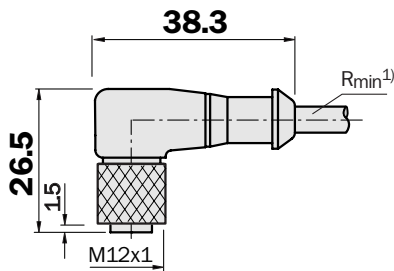
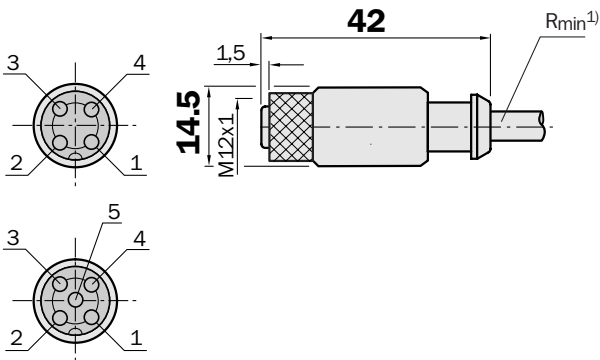
## Connecting cables "Food & Beverage"

### Round connectors

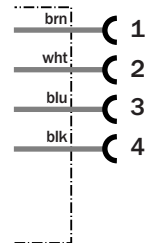
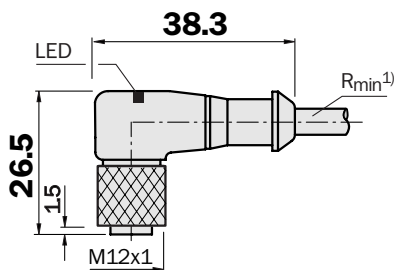
- Especially suitable for use in the "Food & Beverage"-branch
- Gold plated pins
- Improved resistance to chemicals, acids and cleaning agent
- Enclosure rating IP 69K (only in fully locked position with its plugs)
- Stainless steel locking nut (V4A)

### Dimensional drawings

DOL-12...



DOL-1204-L...



Contacts	Wire colour
1	brown
2	white
3	blue
4	black
5	grey



1) Minimum bend radius in dynamic use  
 $R_{min} = 20 \times \text{cable diameter}$



Technical data	
<b>Nominal voltage <math>U_b</math></b>	250 V AC/300 V DC (M12, 4-pin-connector)
	30 V AC/36 V DC (M12, 5-pin-connector)
	10 ... 30 V DC (M12, LED-indicator)
<b>Contact resistance</b>	≤ 5 mΩ
<b>Nominal power</b>	4 A (CSA = 3 A)
<b>Testvoltage</b>	2.0 kV eff./60 s. (4-pin)
	1.5 kV eff./60 s. (5-pin)
<b>Insulation group</b>	C acc. VDE 0110
<b>Insulation resistance</b>	> 10 <sup>9</sup> Ω
<b>Temperature range</b>	In fixed position            -25 °C ... +90 °C
	In flexible motion            +5 °C ... +90 °C
<b>Bending radius</b>	> 10 x diameter of cable
<b>Contact</b>	CuZn, 0.3 μm gold plated
<b>Locking nut</b>	Stainless steel V4A
<b>Cable</b>	PVC, colour orange
<b>Conductor diameter</b>	4 x 0.25 mm <sup>2</sup>
	5 x 0.5 mm <sup>2</sup>
<b>Connector</b>	PVC, colour orange

#### Order information

Round connectors M12 connecting cable "Food & Beverage"					
Type	Order no.	Description		Contacts	Cable length [m]
DOL-1204-G02MN	6 028 128	Female connector	straight	4	2
DOL-1204-G05MN	6 028 130	Female connector	straight	4	5
DOL-1204-G10MN	6 028 132	Female connector	straight	4	10
DOL-1204-G25MN	6 028 134	Female connector	straight	4	25
DOL-1204-W02MN	6 028 129	Female connector	angled	4	2
DOL-1204-W05MN	6 028 131	Female connector	angled	4	5
DOL-1204-W10MN	6 028 133	Female connector	angled	4	10
DOL-1204-W25MN	6 028 135	Female connector	angled	4	25
DOL-1204-L02MN	6 028 136	Female connector	angled LED (PNP)	4	2
DOL-1204-L05MN	6 028 137	Female connector	angled LED (PNP)	4	5
DOL-1204-L10MN	6 028 138	Female connector	angled LED (PNP)	4	10
DOL-1204-L25MN	6 028 139	Female connector	angled LED (PNP)	4	25
DOL-1205-G02MN	6 028 140	Female connector	straight	5	2
DOL-1205-G05MN	6 028 141	Female connector	straight	5	5
DOL-1205-G10MN	6 028 142	Female connector	straight	5	10
DOL-1205-G25MN	6 028 143	Female connector	straight	5	25

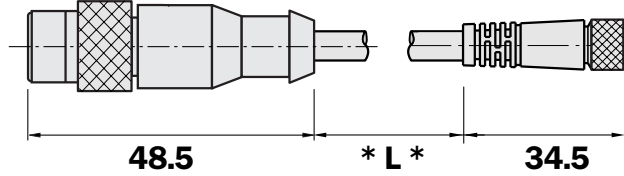
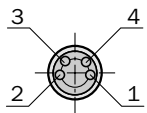
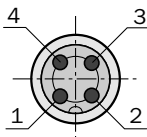
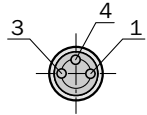
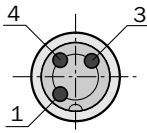
**Extension cable  
PVC**

Round connectors

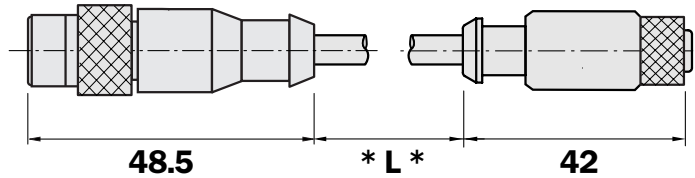
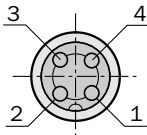
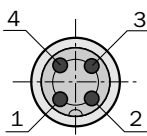
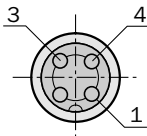
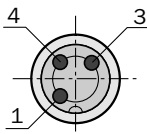
- Gold plated pins
- Self locking threaded
- Conditional resistance to chemicals and oils
- Especially suitable for use in assembly, packaging and production lines
- Enclosure rating IP 68 (M12)/IP 67 (M8) (only in fully locked position with its plugs)

Dimensional drawings

DSL-82...



DSL-12...



(for M8-connector in preparation)

## Technical data

<b>Nominal voltage U<sub>b</sub></b>	60 V AC/75 V DC (M8-connector)
	250 V AC/300 V DC (M12-connector)
<b>Contact resistance</b>	≤ 5 mΩ
<b>Nominal power</b>	4 A (CSA = 3 A)
<b>Testvoltage</b>	2.0 kV eff./60 s. (M12-connector)
	1.5 kV eff./60 s. (M8-connector)
<b>Insulation group</b>	C acc. VDE 0110
<b>Insulation resistance</b>	> 10 <sup>9</sup> Ω
<b>Temperature range</b>	In fixed position            -40 °C ... +80 °C
	In flexible motion            +5 °C ... +80 °C
<b>Bending radius</b>	> 10 x diameter of cable (in flexible motion)
	5 x diameter of cable (in fixed position)
<b>Contact</b>	CuZn, 0.3 μm gold plated
<b>Locking nut</b>	CuZn, brass nickeled
<b>Cable</b>	PVC, colour orange
<b>Conductor diameter</b>	3 x 0.34 mm <sup>2</sup>
	4 x 0.25 mm <sup>2</sup>
<b>Connector</b>	TPU, colour orange

## Order information

## Round connectors, extension cable PVC, female connector M8 (straight), male connector M12 (straight)

Type	Order no.	Contacts Female connector	Contacts Male connector	Cable length [m]
DSL-8203-G0M6	6 022 570	3	3	0.6
DSL-8203-G02M	6 022 572	3	3	2
DSL-8204-G0M6	6 022 571	4	4	0.6
DSL-8204-G02M	6 022 573	4	4	2

## Round connectors M12, extension cable PVC, female connector M12 (straight), male connector M12 (straight)

Type	Order no.	Contacts Female connector	Contacts Male connector	Cable length [m]
DSL-1203-G0M6	6 022 564	4 (3 connected)	3	0.6
DSL-1203-G02M	6 022 566	4 (3 connected)	3	2
DSL-1203-G05M	6 022 568	4 (3 connected)	3	5
DSL-1204-G0M6	6 022 565	4	4	0.6
DSL-1204-G02M	6 022 567	4	4	2
DSL-1204-G05M	6 022 569	4	4	5

**Extension cable  
PUR halogenfree**

Round connectors

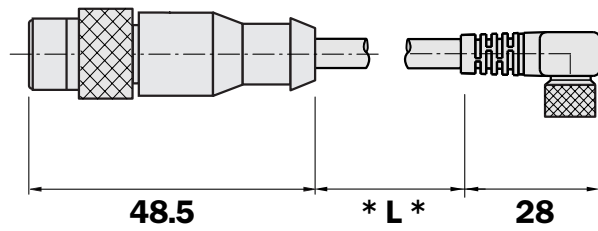
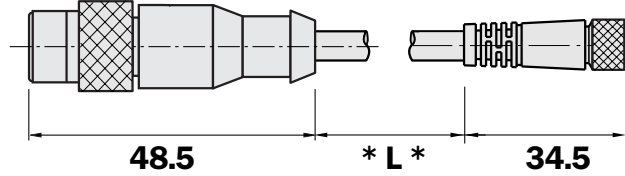
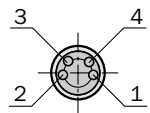
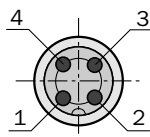
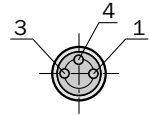
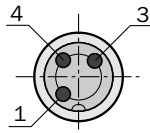
- Gold plated pins
- Halogenfree, PVC-free, silicone-free-cable
- Flame-retardant IEC 332-2
- Resisting to coolants and lubricants
- Suitable for use with drag chains
- Resistant against hydrolysis
- Enclosure rating IP 67 (M8)/IP 68 (M12) (only in fully locked position with its plugs)



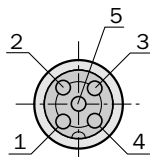
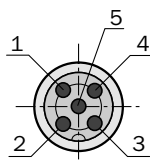
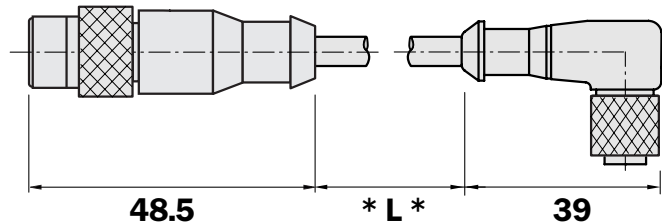
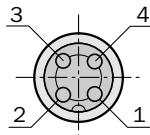
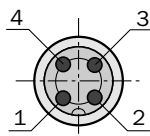
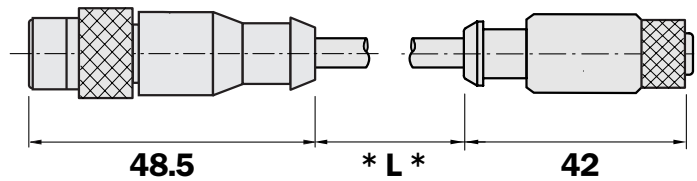
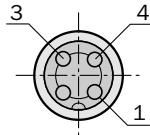
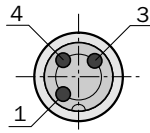
(for M8-connector in preparation)

**Dimensional drawings**

DSL-82...



DSL-12...



Technical data	
<b>Nominal voltage U<sub>b</sub></b>	60 V AC/75 V DC (M8-connector)
	250 V AC/300 V DC (M12, 4-pin-connector)
	30 V AC/36 V DC (M12, 5-pin-connector)
<b>Contact resistance</b>	≤ 5 mΩ
<b>Nominal power</b>	4 A (CSA = 3 A)
<b>Testvoltage</b>	2.0 kV eff./60 s. (M12, 4-pin-connector)
	1.5 kV eff./60 s. (M8-connector and M12, 5-pin-connector)
<b>Insulation group</b>	C acc. VDE 0110
<b>Insulation resistance</b>	> 10 <sup>9</sup> Ω
<b>Temperature range</b>	In fixed position            -40 °C ... +80 °C
	In flexible motion            -25 °C ... +60 °C
<b>Bending radius</b>	> 10 x diameter of cable
<b>Guaranteed bending cycles</b>	> 2 million
<b>Max. allowed speed up</b>	5 m/sec <sup>2</sup>
<b>Max. speed</b>	200 m/min (for 5 m horizontal path)
<b>Contact</b>	CuZn, gold plated
<b>Locking nut</b>	CuZn, brass nickeled
<b>Cable</b>	Colour black, PUR halogenfree
<b>Conductor diameter</b>	3 x 0.35 mm <sup>2</sup>
	4 x 0.34 mm <sup>2</sup>
	5 x 0.5 mm <sup>2</sup>
<b>Connector</b>	Colour black

**Order information**

Round connectors extension cable PUR halogenfree, female connector M8, male connector M12 (straight)						
Type	Order no.	Description		Contacts	Contacts	Cable length [m]
				Female connector	Male connector	
DSL-8203-G0M6C	6 025 914	Female connector	straight	3	3	0.6
DSL-8203-G02MC	6 025 915	Female connector	straight	3	3	2
DSL-8203-B0M6C	6 025 916	Female connector	angled	3	3	0.6
DSL-8203-B02MC	6 025 917	Female connector	angled	3	3	2
DSL-8204-G0M6C	6 025 918	Female connector	straight	4	4	0.6
DSL-8204-G02MC	6 025 919	Female connector	straight	4	4	2
DSL-8204-B0M6C	6 025 920	Female connector	angled	4	4	0.6
DSL-8204-B02MC	6 025 921	Female connector	angled	4	4	2

Round connectors extension cable PUR halogenfree, female connector M12, male connector M12 (straight)						
Type	Order no.	Description		Contacts	Contacts	Cable length [m]
				Female connector	Male connector	
DSL-1203-G0M6C	6 025 922	Female connector	straight	4 (3 connected)	3	0.6
DSL-1203-G02MC	6 025 923	Female connector	straight	4 (3 connected)	3	2
DSL-1203-B0M6C	6 025 924	Female connector	angled	4 (3 connected)	3	0.6
DSL-1203-B02MC	6 025 925	Female connector	angled	4 (3 connected)	3	2
DSL-1204-G0M6C	6 025 926	Female connector	straight	4	4	0.6
DSL-1204-G02MC	6 025 927	Female connector	straight	4	4	2
DSL-1204-B0M6C	6 025 928	Female connector	angled	4	4	0.6
DSL-1204-B02MC	6 025 929	Female connector	angled	4	4	2
DSL-1205-G0M6C	6 025 930	Female connector	straight	5	5	0.6
DSL-1205-G02MC	6 025 931	Female connector	straight	5	5	2

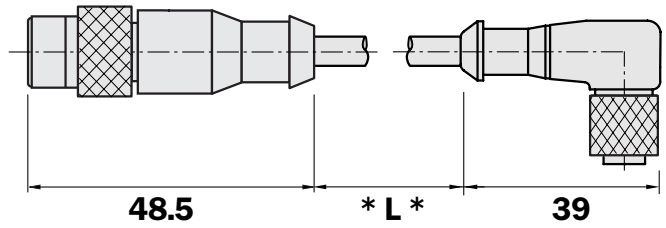
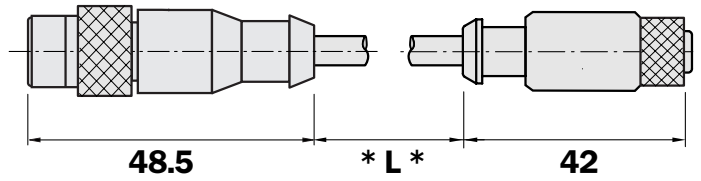
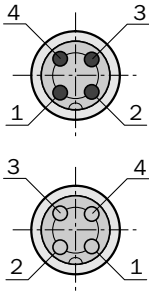
**Extension cable  
"Food & Beverage"**

Round connectors

- Especially suitable for use in the "Food & Beverage"-branch
- Gold plated pins
- Improved resistance to chemicals, acids and cleaning agent
- Enclosure rating IP 69K (only in fully locked position with its plugs)
- Stainless steel locking nut (V4A)

Dimensional drawings

DSL-1204-...





**Technical data**

<b>Nominal voltage <math>U_b</math></b>	250 V AC/300 V DC	
<b>Contact resistance</b>	≤ 5 mΩ	
<b>Nominal power</b>	4 A (CSA = 3 A)	
<b>Testvoltage</b>	2.0 kV eff./60 s.	
<b>Insulation group</b>	C acc. VDE 0110	
<b>Insulation resistance</b>	> 10 <sup>9</sup> Ω	
<b>Temperature range</b>	In fixed position	-25 °C ... +90 °C
	In flexible motion	+5 °C ... +90 °C
<b>Bending radius</b>	> 10 x diameter of cable	
<b>Contact</b>	CuZn, 0.3 μm gold plated	
<b>Locking nut</b>	Stainless steel (V4A)	
<b>Cable</b>	PVC, colour orange	
<b>Conductor diameter</b>	4 x 0.25 mm <sup>2</sup>	
<b>Connector</b>	PVC, colour orange	

**Order information**

**Round connectors extension cable "Food & Beverage", female connector M12, male connector M12 (straight)**

Type	Order no.	Description		Contacts		Cable length [m]
				Female connector	Male connector	
DSL-1204-G0M6N	6 028 194	Female connector	straight	4	4	0.6
DSL-1204-G02MN	6 028 195	Female connector	straight	4	4	2
DSL-1204-G05MN	6 028 196	Female connector	straight	4	4	5
DSL-1204-B0M6N	6 028 197	Female connector	angled	4	4	0.6
DSL-1204-B02MN	6 028 198	Female connector	angled	4	4	2
DSL-1204-B05MN	6 028 199	Female connector	angled	4	4	5

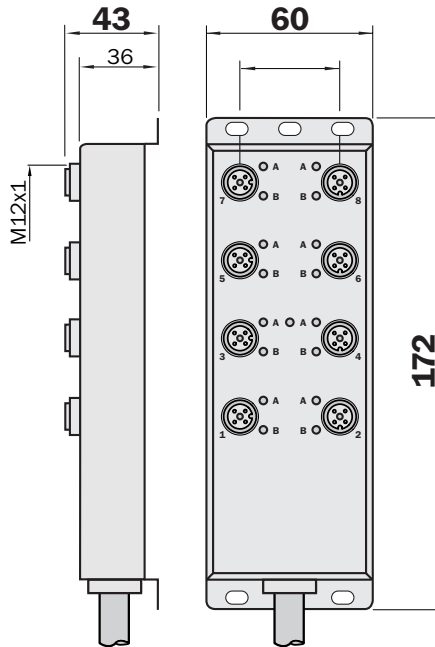
**"Food & Beverage"  
IP 69K, V4A**

Sensor splitter-box

- Enclosure rating IP 69K (only in fully locked position with its plugs or dust covers)
- Housing & thread material: stainless steel V4A
- Especially suitable for use in the "Food & Beverage"-branch
- Improved resistance to chemicals, acids and cleaning agent

Dimensional drawings

SNL-08...



M12-Contacts	Wire colour	Signal/outlet
1	brown	+
3	blue	-
2	grey/pink	1
	red/blue	2
	white/green	3
	brown/green	4
	white/yellow	5
	yellow/brown	6
	white/grey	7
	grey/brown	8
4	white	1
	green	2
	yellow	3
	grey	4
	pink	5
	red	6
	black	7
	violet	8
5	green/yellow	PE

**Technical data**

<b>Temperature range</b>	0 °C ... +60 °C
<b>Materials</b>	
Housing	V4A-stainless steel
Moulded body	PVC
Contact	CuZn, pre-nickeled and 0.8 µm gold plated
Threaded sleeve	V4A-stainless steel
O-Ring	EPDM
<b>Mechanical data</b>	
Enclosure rating	IP 69 K (only in fully locked position with its plugs)
<b>Electrical data</b>	
Contact resistance	≤ 5 mΩ
Nominal power	4 A per outlet/11 A max. total at 30 °C (refer to correction factors EN 60204-1)
Nominal voltage U <sub>b</sub>	10 ... 30 V DC
Reference voltage	32 V ~ eff.
Insulation resistance	> 10 <sup>9</sup> Ω
Pollution grade	2 acc. VDE 0110
Cable	PVC, colour black, 3 x 1.0 mm <sup>2</sup> /16 x 0.5 mm <sup>2</sup> (appropriate for drag cable use)
<b>Accessories</b>	4 dust covers for unused sockets

**Order information**

**Sensor splitter-box "Food & Beverage", IP 69 K, V4A (1.4404/316 L), M12 x 1 mm (5-pin), 8 x female connector, type of connection, cable**

Type	Order no.	Connecting cable		
		Length [m]	Lead [mm <sup>2</sup> ]	Cable
SNL-08D12-KA05	6 027 586	5	3 x 1.0/16 x 0.5	PVC black
SNL-08D12-KA10	6 027 587	10	3 x 1.0/16 x 0.5	PVC black
SNL-08D12-KA15	6 027 588	15	3 x 1.0/16 x 0.5	PVC black

# Sensor splitter-box, M12 x 1, IP 67

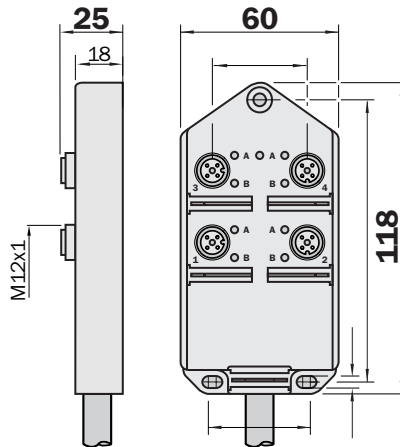
## M12 x 1, IP 67

### Sensor splitter-box

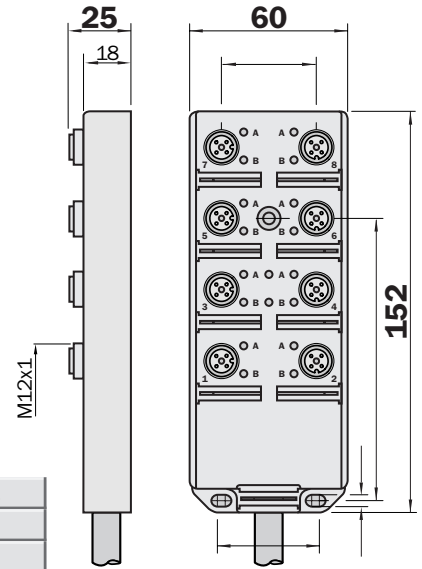
- Enclosure rating IP 67 (only in fully locked position with its plugs)
- TPU housing, self-extinguishing, moulded
- Shock and vibration resistant
- Gold plated pins
- 2 signale per M12-socket
- LED indication

### Dimensional drawings

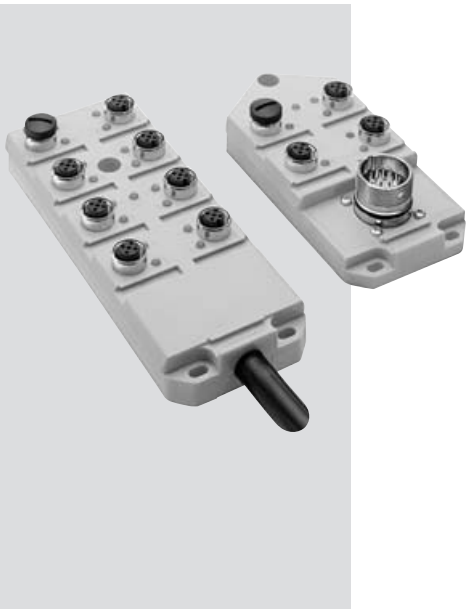
SBL-04D12-KC...



SBL-08D12-KC...

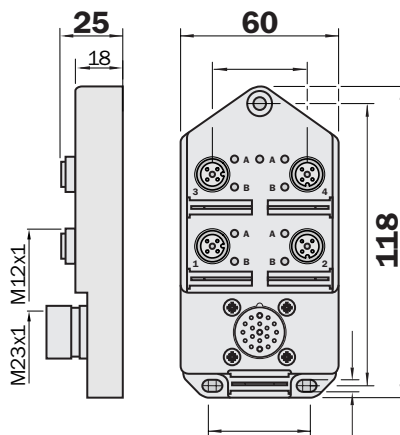


M12-Contacts	Wire colour	Signal/outlet
1	brown	+
3	blue	-
2	grey/pink	1
	red/blue	2
	white/green	3
	brown/green	4
	white/yellow	5
	yellow/brown	6
	white/grey	7
	grey/brown	8
4	white	1
	green	2
	yellow	3
	grey	4
	pink	5
	red	6
	black	7
	violet	8
5	green/yellow	PE

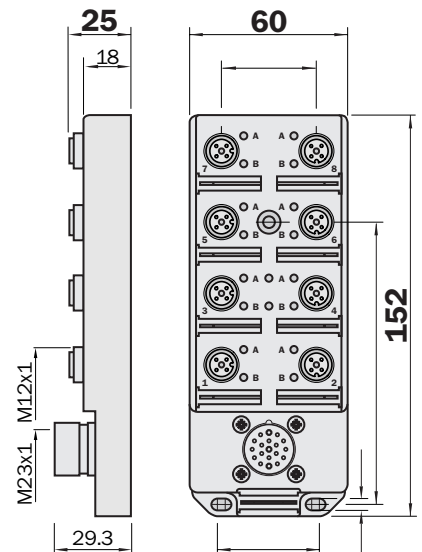


M12-Contacts	Signal/outlet
1 = 19	+
2 = 1	7
2	4
3	8
4	14
5	9
6	13
7	10
8	18
3 = 6	-
4 = 1	15
2	5
3	16
4	3
5	17
6	2
7	11
8	1
5 = 12	PE

SBL-04D12-SE...



SBL-08D12-SE...



**Technical data**

<b>Temperature range</b>	-15 °C ... +90 °C
<b>Materials</b>	
Housing	TPU, self-extinguishing
Moulded body	PA 6.6 GF, self-extinguishing, colour orange
Contact	CuZn, pre-nickel and 0.8 µm gold plated
Threaded sleeve	CuZn, brass nickeled
<b>Mechanical data</b>	
Enclosure rating	IP 67 (only in fully locked position with its plugs)
<b>Electrical data</b>	
Contact resistance	≤ 5 mΩ
Nominal power	2 A per outlet/11 A max. total at 30 °C (refer to correction factors EN 60204-1)
Nominal voltage U <sub>b</sub>	10 ... 30 V DC
Reference voltage	32 V ~ eff.
Insulation resistance	> 10 <sup>9</sup> Ω
Pollution grade	2 acc. VDE 0110
Cable	PUR colour black, 4-way box x 1.0 mm <sup>2</sup> /8-way box 16 x 0.5 mm <sup>2</sup>
<b>Accessories</b>	2 dust covers for unused sockets, 10 attachable molds

**Order information**

**Sensor splitter-box M12 x 1 mm, 5-pin, type of connection, cable**

Type	Order no.	Connecting cable		
		Length [m]	Lead [mm <sup>2</sup> ]	Cable
SBL-04D12-KC05	6 028 394	5	3 x 1.0/8 x 0.5	PUR halogenfree
SBL-04D12-KC10	6 028 395	10	3 x 1.0/8 x 0.5	PUR halogenfree
SBL-08D12-KC05	6 028 396	5	3 x 1.0/16 x 0.5	PUR halogenfree
SBL-08D12-KC10	6 028 397	10	3 x 1.0/16 x 0.5	PUR halogenfree

**Sensor splitter-box M12 x 1 mm, 5-pin, type of connection, M23-connector**

Type	Order no.	Connection plug	
		Type	Description
SBL-04D12-SE	6 028 398	M23 x 1	Male connector, 19 contacts
SBL-08D12-SE	6 028 399	M23 x 1	Male connector, 19 contacts

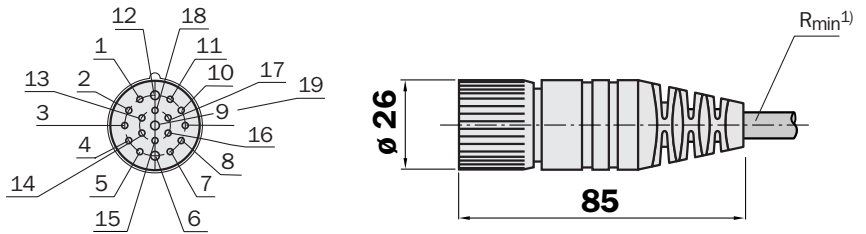
**M23 x 1 mm, PUR**

Connecting cables

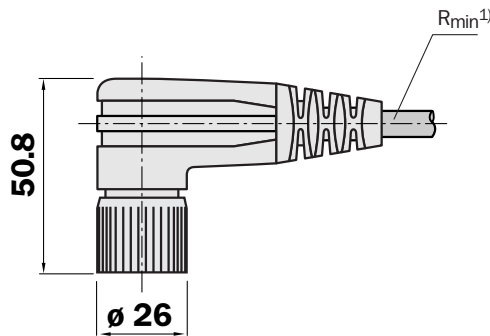
- Gold plated pins
- Enclosure rating IP 68
- Connector for connection on sensor splitter-box SBL-...D12-SE
- Colour connector/cable: black

Dimensional drawings

DOL-2319-G...MB



DOL-2319-W...MB



Contacts	Wire colour	Contacts	Wire colour
1	violet	11	black
2	red	12	yellow/green
3	grey	13	yellow/brown
4	red/blue	14	brown/green
5	green	15	white
6	blue	16	yellow
7	grey/pink	17	pink
8	white/green	18	grey/brown
9	white/yellow	19	brown
10	white/grey		





**Technical data**

<b>Temperature range</b>	-25 °C ... +110 °C
<b>Materials</b>	
Moulded body	PBTP
Contact	CuZn, pre-nickel and 0.8 µm gold plated
Body	PUR
Locking nut	CuZn, brass nickel
<b>Mechanical data</b>	
Enclosure rating	IP 68 (only in fully locked position with its plugs)
<b>Electrical data</b>	
Contact resistance	≤ 5 mΩ
Nominal power	19-pin 8 A pin ø 1 mm, 10 A Spin ø 1.5 mm
Reference voltage	19-pin 160 V eff.
Testvoltage	19-pin 1.5 kV eff./60 s.
Insulation resistance	> 10 <sup>9</sup> Ω
Pollution grade	IIIa acc. VDE 0110
Cable	PUR, colour black, 3 x 1.0 mm <sup>2</sup> /16 x 0.5 mm <sup>2</sup> (appropriate for drag cable use)

**Order information****Connecting cables M23 x 1 PUR for sensor splitter-boxes SBL...D12-SE**

Type	Order no.	Description	Contacts	Cable length [m]
DOL-2319-G05MB	6 028 400	Female connector straight	19	5
DOL-2319-G10MB	6 028 401	Female connector straight	19	10
DOL-2319-G15MB	6 028 402	Female connector straight	19	15
DOL-2319-W05MB	6 028 403	Female connector angled	19	5
DOL-2319-W10MB	6 028 405	Female connector angled	19	10
DOL-2319-W15MB	6 028 404	Female connector angled	19	15

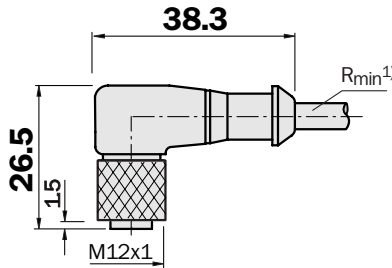
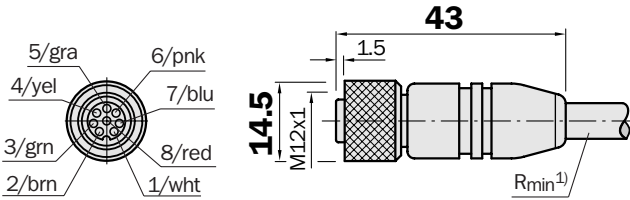
## M12, 8-pin, shielded

Round connectors

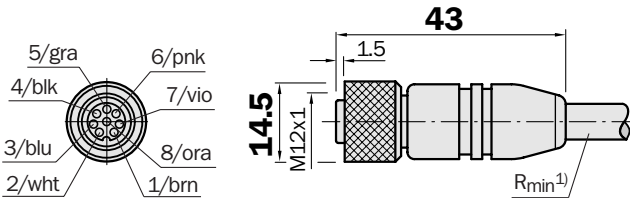
- Gold plated pins
- Especially suitable for use in shielded applications
- 360° shield on locking nut
- Shield on PIN 8
- Enclosure rating IP 67 (only in fully locked position with its plugs)

### Dimensional drawings

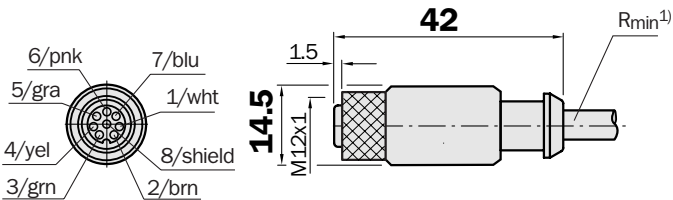
DOL-1208-...MA



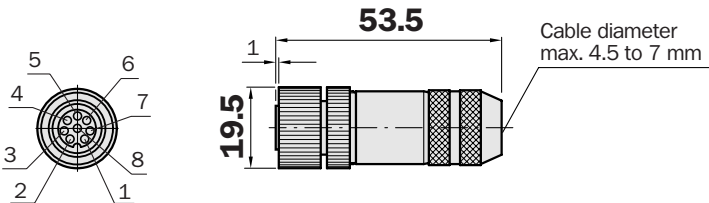
DOL-1208-...MF



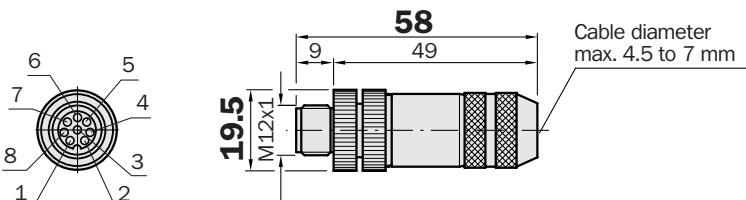
DOL-1208-...MB



DOS-1208-G.



DOS-1208-G.



1) Minimum bend radius in dynamic use  
 $R_{min} = 20 \times \text{cable diameter}$



Technical data	
<b>Nominal voltage U<sub>b</sub></b>	30 V AC/36 V DC
<b>Contact resistance</b>	≤ 5 mΩ
<b>Nominal power</b>	1.5 A
<b>Testvoltage</b>	1.5 kV eff./60 s.
<b>Insulation group</b>	C acc. VDE0110
<b>Insulation resistance</b>	> 10 <sup>9</sup> Ω
<b>Temperature range</b>	In fixed position      -25 °C ... +80 °C In flexible motion      +5 °C ... +80 °C
<b>Temperature range</b> DOL-1208-...MF	In fixed position      -30 °C ... +70 °C In flexible motion      +5 °C ... +70 °C
<b>Molded cable</b>	
<b>Bending radius</b>	> 20 x diameter of cable
<b>Contact</b>	CuZn, 0.3 μm gold plated
<b>Locking nut</b>	CuZn, brass nickeled
<b>Connector diameter</b> DOS-1208-GA, STE-1208-GA	Max. 0.75 mm <sup>2</sup>
<b>Cable</b>	PVC, colour orange (8 x 0.25 mm <sup>2</sup> ) PUR, colour orange (7 x 0.25 mm <sup>2</sup> and shield)
<b>Connector</b>	TPU, colour orange
<b>Terminal screwed connector</b>	
<b>Contact</b>	CuZn, pre-nickeled, 2 ... 4 μm CuSnZn
<b>Connection type</b>	Connector
<b>Housing</b>	CuZn, brass nickeled

**Order information**

Round connectors M12, 8-pin shielded						
Type	Order no.	Description		Shield	Cable length [m]	Cable
DOS-1208-G	6 028 422	Female connector	straight		terminal screwed	4 ... 8 mm
DOS-1208-GA	6 028 369	Female connector	straight	360° on locking nut	terminal screwed	4 ... 8 mm
STE-1208-GA	6 028 370	Male connector	straight	360° on locking nut	terminal screwed	4 ... 8 mm
DOL-1208-G02MA	6 020 633	Female connector	straight	360° on locking nut	2	PVC
DOL-1208-G05MA	6 020 993	Female connector	straight	360° on locking nut	5	PVC
DOL-1208-G10MA	6 022 152	Female connector	straight	360° on locking nut	10	PVC
DOL-1208-G15MA	6 022 153	Female connector	straight	360° on locking nut	15	PVC
DOL-1208-W02MA	6 020 992	Female connector	angled	360° on locking nut	2	PVC
DOL-1208-W05MA	6 021 033	Female connector	angled	360° on locking nut	5	PVC
DOL-1208-G02MB	6 010 748	Female connector	straight	On PIN 8	2	PUR
DOL-1208-G02MF	6 020 663	Female connector	straight	360° on locking nut	2	PVC spec. core colour
DOL-1208-G05MF	6 020 664	Female connector	straight	360° on locking nut	5	PVC spec. core colour

Round connectors M12, 8-pin, shielded, female connector (straight) and male connector (straight)				
Type	Order no.	Shield	Cable length [m]	Cable
DSL-1208-G01MA	6 026 625	360° on locking nut	1	PVC

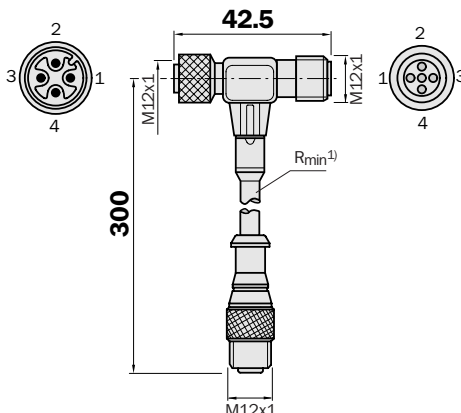
M12, M8

T-Junction

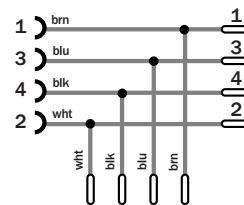
- Gold plated pins
- T-Junction for connection on splitter-box (SBO-02C.../SBO-02D...)
- Housing material TPU
- Enclosure rating IP 67 (only in fully locked position with its plugs)

Dimensional drawings

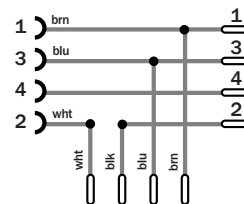
DSL-..04-TOM3



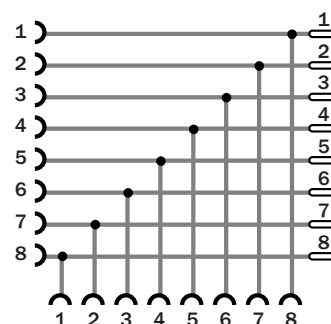
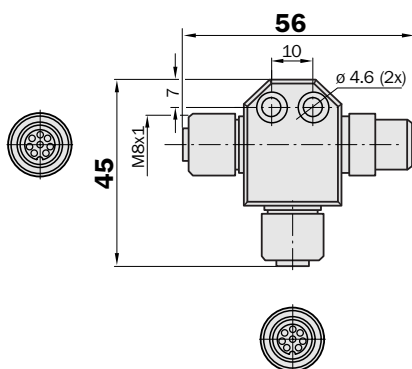
DSL-1204-TOM3



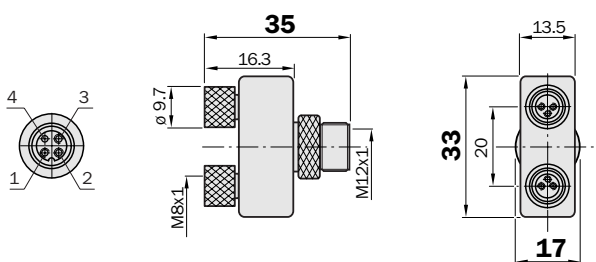
DSL-1104-TOM3



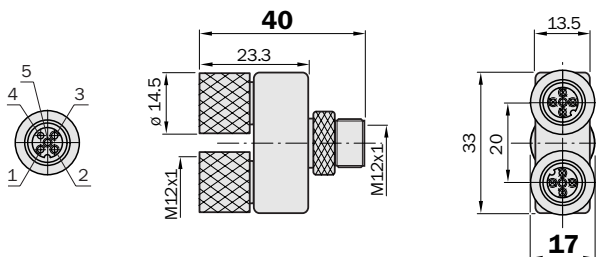
SBO-02F12-SF



SBO-02C08-SF



SBO-02D12-SF



## Technical data

<b>Nominal voltage U<sub>b</sub></b>	60 V AC/75 V DC (M8, connector)
	250 V AC/300 V DC (M12, 4-pin, connector)
	30 V AC/36 V DC (M12, 5-pin, connector and M12, 8-pin, connector)
<b>Contact resistance</b>	≤ 5 mΩ
<b>Nominal power</b>	4 A (CSA = 3 A)
<b>Testvoltage</b>	2.0 kV eff./60 s. (M12, 4-pin, connector)
	1.5 kV eff./60 s. (M12, 5-pin, 8-pin, connector and M8, connector)
<b>Insulation group</b>	C acc. VDE 0110
<b>Insulation resistance</b>	> 10 <sup>9</sup> Ω
<b>Molding</b>	TPU, self-extinguishing
<b>Contact</b>	0.8 μm gold plated
<b>Locking nut</b>	CuZn, brass nickleed

## Order information

## T-Junction M12, M8

Type	Order no.	"T" splitter, line	T-Junction 2 x connector	Specification
DSL-1204-TOM3	6 011 682	Male connector M12, 4-pin, straight + 0.3 m PVC	1 x female M12/1 x male connector M12, 4-pin, angled	Power supply signal
DSL-1104-TOM3	6 011 683	Male connector M12, 4-pin, straight + 0.3 m PVC	1 x female M12/1 x male connector M12, 4-pin, angled	Power supply signal and logic interrupt
SBO-02F12-SF	6 026 503	Male connector M12, 8-pin, straight	2 x female connector M12, 8-pin, angled	Parallel connected
SBO-02C08-SF	6 028 393	Male connector M12, 4-pin, straight	2 x female connector M8, 3-pin, straight	PIN 2, 4 split
SBO-02D12-SF	6 028 392	Male connector M12, 5-pin, straight	2 x female connector M12, 5-pin, straight	PIN 2, 4 split

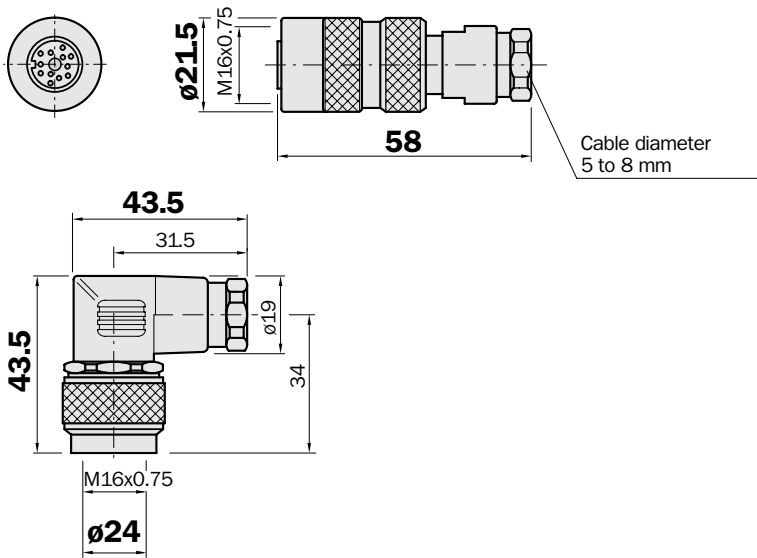
**M16 x 0.75  
connection for DME**

Round connectors

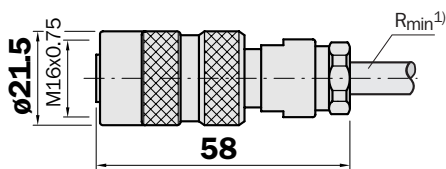
- Gold plated pins
- Enclosure rating IP 67
- Connection type – solder

Dimensional drawings

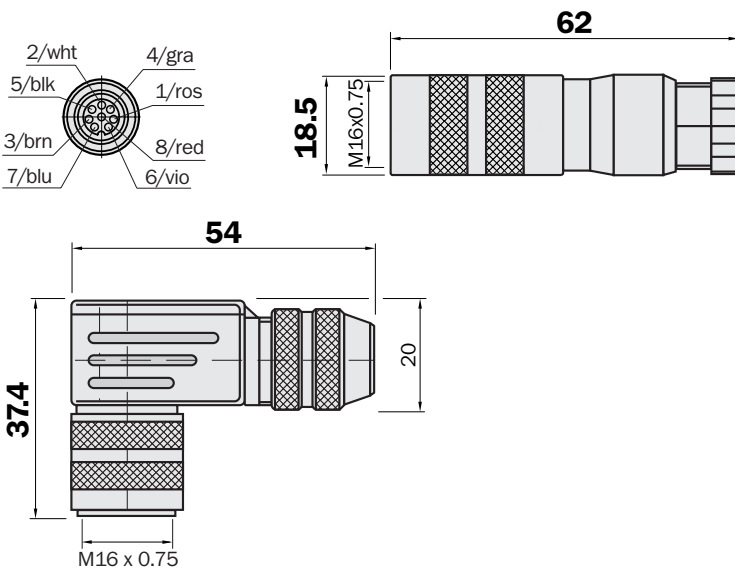
DOS-1612-....



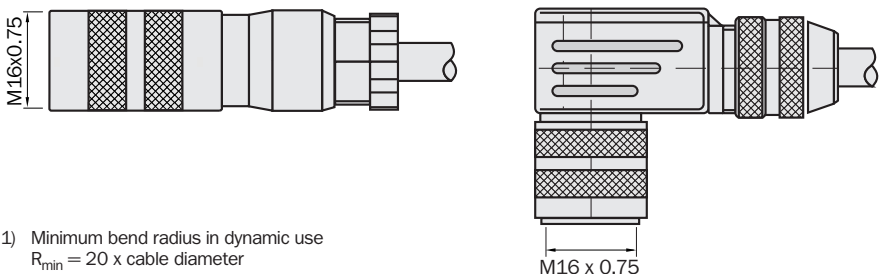
DOL-1612-....



DOS-1608-....



DOL-1608-....



1) Minimum bend radius in dynamic use  
 $R_{min} = 20 \times \text{cable diameter}$



Technical data			
<b>Nominal voltage <math>U_b</math></b>		60 V DC	
<b>Transit resistance</b>		$\leq 5 \text{ m}\Omega$	
<b>Nominal power (40 °C)</b>		5 A (8-pin)	
		3 A (12-pin)	
<b>Testvoltage</b>		550 V	
<b>Insulation resistance</b>		$\geq 10^{10} \Omega$	
<b>Temperature range</b>	DOS-16...	-30 °C ... +95 °C	
	LTG-1812-MW/LTG-2010-MW	In fixed position	-30 °C ... +80 °C
		In flexible motion	-5 °C ... +70 °C
	LTG-2308-MW	In fixed position	-40 °C ... +80 °C
In flexible motion		-5 °C ... +70 °C	
<b>Connector diameter</b>	DOS-1608	Max. 0.75 mm <sup>2</sup>	
	DOS-1612	Max. 0.25 mm <sup>2</sup>	
<b>Cable</b>	LTG-1812-MW	PVC, 12 x 0.5 mm <sup>2</sup>	
	LTG-2010-MW	PVC, 10 x 0.25 mm <sup>2</sup> + shield	
	LTG-2308-MW	PUR halogenfree (grey), 2 x 0.5 mm <sup>2</sup> /6 x 0.25 mm <sup>2</sup>	
<b>Enclosure rating</b>		IP 67	
<b>Contact</b>		CuZn, gold plated	
<b>Housing connector</b>		Zinc die-cast housing, Brass, chrome plated	

#### Order information

Round connectors M16 x 0.75 mm for DME						
Type	Order no.	Description		Contacts	Cable	Cable length [m]
DOS-1612-G	6 007 092	Female connector	straight	12	5 ... 8 mm	terminal screwed
DOS-1612-W	6 007 988	Female connector	angled	12	5 ... 8 mm	terminal screwed
DOL-1612-5M-2	2 013 353	Female connector	straight	12	PVC (LTG-1812-MW)	5
DOL-1612-5M-3	2 017 568	Female connector	straight	12 (10)	PVC (LTG-2010-MW)	5
DOS-1608-GA	6 025 726	Female connector	straight	8	6 ... 8 mm	terminal screwed
DOS-1608-WA	6 025 727	Female connector	angled	8	6 ... 8 mm	terminal screwed
DOL-1608-G05MA	2 026 742	Female connector	straight	8	PUR (LTG-2308-MW)	5
DOL-1608-G10MA	2 027 193	Female connector	straight	8	PVC (LTG-2308-MW)	10
DOL-1608-W05MA	2 026 743	Female connector	angled	8	PUR (LTG-2308-MW)	5
DOL-1608-W10MA	2 027 194	Female connector	angled	8	PVC (LTG-2308-MW)	10

Connecting cables for round connectors M16 x 0.75 mm for DME				
Type	Order no.	Description	Cable sheathing	Cable length [m]
LTG-1812-MW	6 009 219	For DME 2000, 12 wire	PVC	by the metre
LTG-2010-MW	6 008 596	For DME 3000, 10 leads paired and shielded	PVC	by the metre
LTG-2308-MW	6 026 292	For DME 5000, 8 leads paired and shielded	PUR (grey)	by the metre



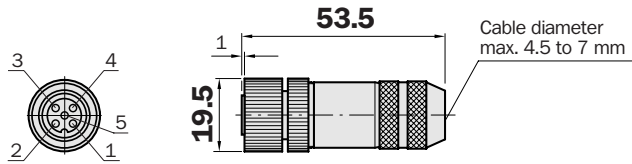
**For DME 3000 and DME 5000**

Profibus connector

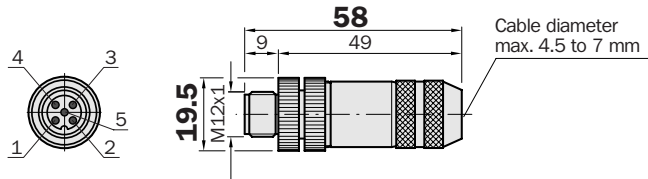
- Gold plated pins
- Profibus-DP signal cable
- Enclosure rating IP 67 (only in fully locked position with its plugs)
- Shielded connection
- Improved resistance to oil and chemicals

Dimensional drawings

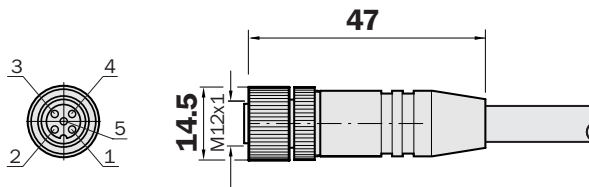
PR-DOS-1205-G



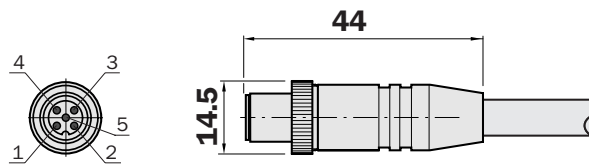
PR-STE-1205-G



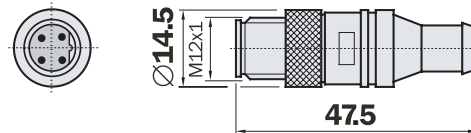
DOL-12PR-G..M



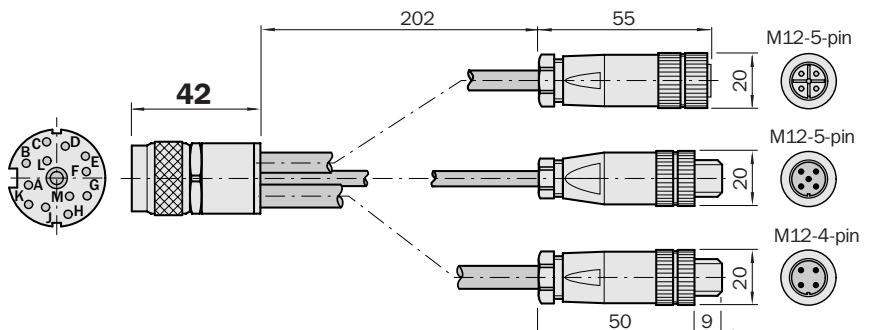
STL-12PR-G..M



PR-STE-END



PR-ADPT-DME



## Technical data

<b>Nominal voltage <math>U_b</math></b>	≤ DC 250 V DC (cable Profibus) 30 V AC/36 V DC (M12, 5-pin)
<b>Transit resistance</b>	≤ 5 mΩ
<b>Nominal power</b>	4 A/3 A (M16 x 0.75)
<b>Testvoltage</b>	2.0 kV eff./60 s. (cable Profibus) 1.5 kV eff./60 s. (M12, 5-pin)
<b>Insulation group</b>	C acc. VDE 0110
<b>Insulation resistance</b>	≥ 2.5 x 10 <sup>9</sup> Ω/km
<b>Operating capacity</b>	≤ 25 pF/m, 800/s (A/A)
<b>Wave impedance</b>	160 Ω ±10 %
<b>Temperature range</b>	In fixed position        -40 °C ... +80 °C In flexible motion        -5 °C ... +80 °C
<b>Bending radius</b>	> 100 mm (appropriate for drag cable use)
<b>Cable</b>	PUR halogenfree, colour violett (2 x 0.34 mm <sup>2</sup> + secondary sheathed flex wire + shield)
<b>Screening</b>	AL-PT film (core screening) C screen tin-plated (overall shield)
<b>Contact</b>	CuZn, gold plated
<b>Connector</b>	Molding TPU, colour black
<b>Housing connector terminal screwed</b>	CuZn, brass nickeled
<b>Connector diameter</b>	Max. 0.75 mm <sup>2</sup> (screw terminals)

## Order information

## Profibus connector, M12 (B-coded), straight for DME 3000 and DME 5000

Type	Order no.	Description	Contacts	Specification	Cable	Cable length [m]
PR-DOS-1205-G	6 021 353	Female connector	5	360° shield on locking nut	4 ... 8 mm	terminal screwed
PR-STE-1205-G	6 021 354	Male connector	5	360° shield on locking nut	4 ... 8 mm	terminal screwed
DOL-12PR-G05M	6 026 006	Female connector	5	360° shield on locking nut	PUR-violet (Profibus)	5
DOL-12PR-G10M	6 026 008	Female connector	5	360° shield on locking nut	PUR-violet (Profibus)	10
STL-12PR-G05M	6 026 005	Male connector	5	360° shield on locking nut	PUR-violet (Profibus)	5
STL-12PR-G10M	6 026 007	Male connector	5	360° shield on locking nut	PUR-violet (Profibus)	10
PRE-STE-END	6 021 156	Male connector	4	Profibus terminalresistor		

## Profibus connector for DME 3000 and DME 5000, connection adapter/male connector

Type	Order no.	Connection adapter, female connector	Male (2 x)/female connector	Cable length [m]
PR-ADPT-DME	2 021 463	M16 x 0.75 mm, 12-pin	M12 x 1 mm, 4-/5-pin	0.2

## Profibus connector for DME 3000 and DME 5000, cable

Type	Order no.	Description	Cable sheathing	Cable length [m]
LTG-2102-MW	6 021 355	Profibus specification (signal cable)	PUR (violet)	by the metre

**For DME 5000**

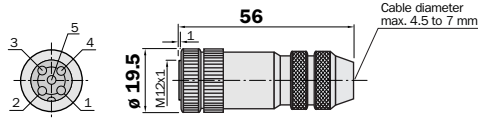
**Devicenet connector**

- Gold plated pins
- Device Net specification  
(Connection 7/8" and M12 x 1)
- Enclosure rating IP 67 (only in fully locked position with its plugs)
- Cable conforming to DeviceNet specification
- Improved resistance to oil and chemicals

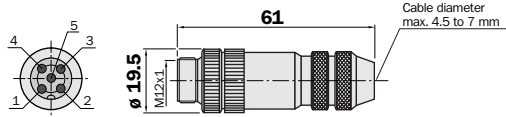


**Dimensional drawings**

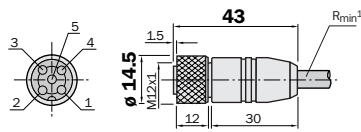
DOS-1205-GA



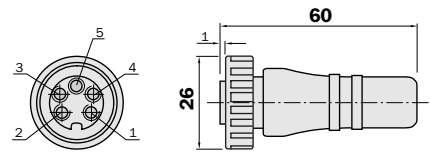
STE-1205-GA



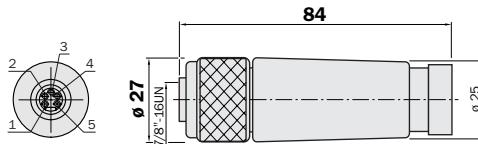
DOL-1205-G06MK



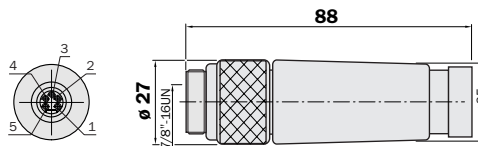
DOS-7805-GKEND



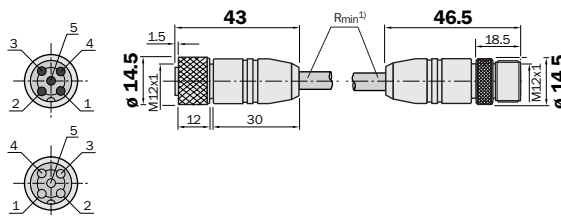
DOS-7805-GK



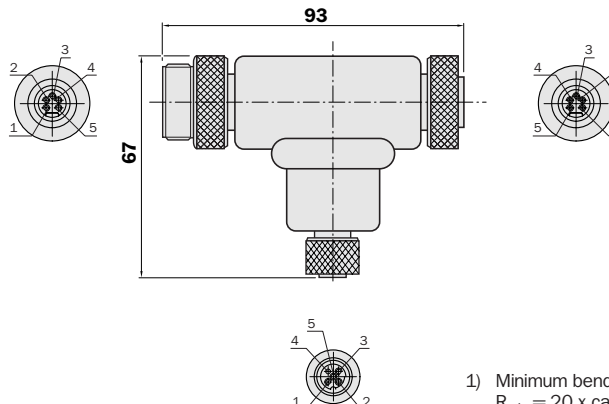
STE-7805-GK



DSL-1205-G06MK



SDO-02D78-SF



1) Minimum bend radius in dynamic use  
 $R_{min} = 20 \times \text{cable diameter}$

## Technical data

<b>Nominal voltage <math>U_b</math></b>	30 V AC/36 V DC (M12, 5-pin)
	250 V AC (7/8")
DeviceNet	30 V AC/36 V DC
<b>Transit resistance</b>	≤ 5 mΩ
<b>Nominal power</b>	4 A (M12)
	9 A (7/8", 5-pin)
DeviceNet	8 A (Trunk)/4 A (Drop)
<b>Testvoltage</b>	1.2 kV eff.
<b>Conductor resistance</b>	≤ 57.4 Ω/km (voltage supply)
	≤ 91.9 Ω/km (data cable)
<b>Insulation resistance</b>	> 10 <sup>12</sup> Ω/km
<b>Temperature range</b>	In fixed position      -40 °C ... +70 °C
	In flexible motion      -10 °C ... +70 °C
<b>Bending radius</b>	> 100 mm (appropriate for drag cable use)
<b>Cable (DeviceNet Dropcable)</b>	2 x 0.34 mm <sup>2</sup> (22 AWG)/2 x 0.25 mm <sup>2</sup> (24 AWG), stranded together in pairs
<b>Secondary sheathed flex wire</b>	0.34 mm <sup>2</sup> (22 AWG)
<b>Screening</b>	AL-PT film (core screening)
	C screen tin-plated (overall shield)
<b>Connector</b>	Molding TPU, colour black
<b>Connector diameter</b>	Max. 0.75 mm <sup>2</sup> (M12-screw terminals)
	Max. 1.5 mm <sup>2</sup> (7/8"-screw terminals)
<b>Housing connector (terminal screwed)</b>	CuZn, brass nickeled (M12)
	PA 6.6, self-extinguishing (7/8")

## Order information

## DeviceNet connector for DME 5000, 5-pin, straight

Type	Order no.	Description	Specification	Cable	Cable length [m]
DOS-1205-GA	6 027 534	Female connector, M12	360° shield on locking nut	4 ... 8 m	terminal screwed
STE-1205-GA	6 027 533	Male connector, M12	360° shield on locking nut	4 ... 8 m	terminal screwed
DSL-1205-G06MK	6 028 326	Female connector, M12	360° overall shield on locking nut	Dropcable (PUR black)	6
DOS-7805-GKEND	6 028 329	Female connector, 7/8"	DeviceNet terminalresistor, 7/8"		
DOS-7805-GK	6 028 331	Female connector, 7/8"	PG16	12.0 ... 14.0 mm	terminal screwed
STE-7805-GK	6 028 332	Male connector, 7/8"	PG16	12.0 ... 14.0 mm	terminal screwed

## DeviceNet connector for DME 5000, female connector M12, 5-pin, straight and male connector, straight, M12, 5-pin, straight

Type	Order no.	Shield	Cable	Cable length [m]
DSL-1205-G06MK	6 028 327	360° overall shield on locking nut	Dropcable (PUR-black)	6

## DeviceNet connector for DME 5000, T-Junction, female connector (Drop). M12, 5-pin

Type	Order no.	T-Junction, female connector (Drop)	Female/male connector (Trunk)	Molding
SDO-02D78-SF	6 028 330	M12 x 1 mm, 5-pin	7/8", 5-pin	TPU

## DeviceNet connector for DME 5000, cable

Type	Order no.	Description	Cable sheathing	Cable length [m]
LTG-2804-MW	6 028 328	DeviceNet Spezifikation (Dropcable)	PUR (black)	by the metre

## Terminal screwed

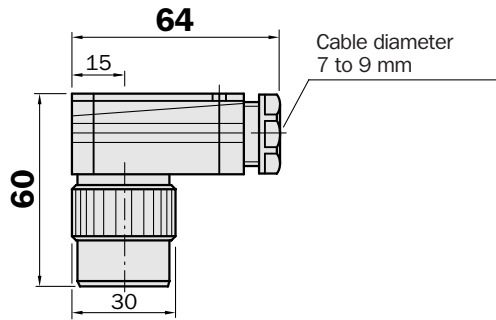
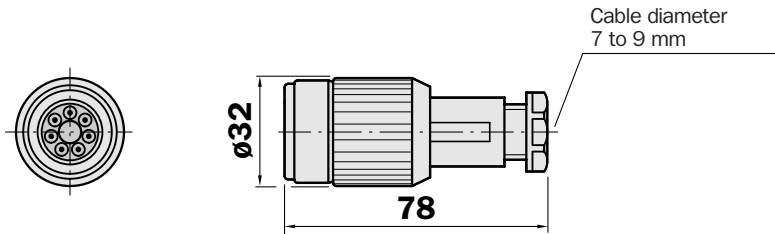
### Round connectors

- Silver-plated contacts
- Enclosure rating
  - IP 65 (DOS-0606...)
  - IP 65 (DOS-1804...)
  - IP 66 (DOS-2606...)
 (only in fully locked position with its plugs)
- Utilisation of round plug connectors for connecting special sensors

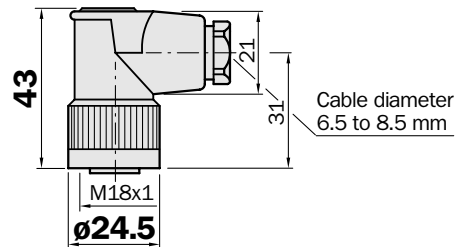
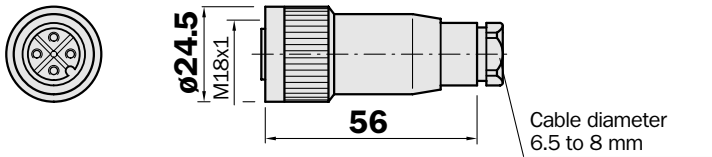


### Dimensional drawings

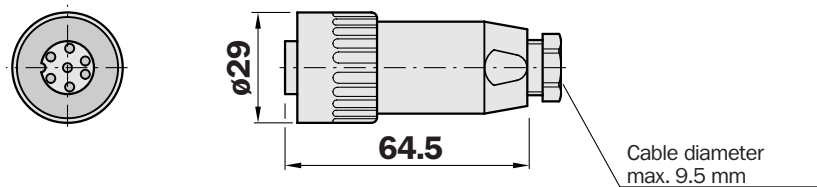
DOS-0606-



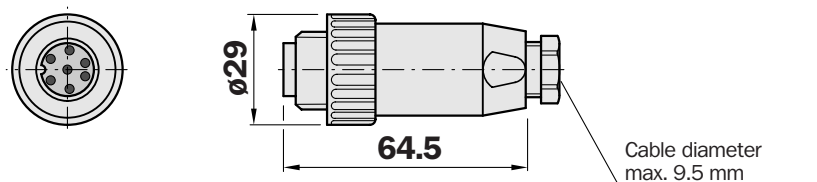
DOS-1804-



DOS-2606-G



STE-2606-G



## Technical data

<b>Nominal voltage <math>U_b</math></b>		250 V AC/300 V DC
<b>Transit resistance</b>		$\leq 5 \text{ m}\Omega$
		$\leq 8 \text{ m}\Omega$ (DOS-1804...)
<b>Nominal power</b>	DOS-0606..., DOS-2606...	10 A (45 °C)
	DOS-1804...	16 A (40 °C)
<b>Insulation resistance</b>	DOS-0606..., DOS-2606...	$\geq 10^{10} \Omega$
	DOS-1804...	$\geq 10^{10} \Omega$
<b>Connector diameter</b>	DOS-0606	0.5 ... 1.5 mm <sup>2</sup> (crimping)
	DOS-1804	max. 1.5 mm <sup>2</sup> (screw connection)
	DOS/STE-2606	max. 0.75 mm <sup>2</sup> (solder)
<b>Housing material</b>	DOS-0606...	Plastic, fibre glass reinforced
	DOS-1804..., DOS-2606...	PA 6.6
<b>Contact</b>		CuZn, Silver-plated

## Order information

## Round connectors terminal screwed, DIN 43651, M26

Type	Order no.	Description	Contacts	Wire section [mm <sup>2</sup> ]	Screw joint for cable [mm]
DOS-0606-G	6 006 612	Female connector   straight	6 + PE	0.5 ... 1.5	7 ... 9
DOS-0606-W	6 006 613	Female connector   angled	6 + PE	0.5 ... 1.5	7 ... 9

## Round connectors terminal screwed, M18

Type	Order no.	Description	Contacts	Wire section [mm <sup>2</sup> ]	Screw joint for cable [mm]
DOS-1804-G	6 009 436	Female connector   straight	4	max. 1.5	6.5 ... 8.5
DOS-1804-W	6 009 437	Female connector   angled	4	max. 1.5	6.5 ... 8.5

## Round connectors terminal screwed, R16, M24

Type	Order no.	Description	Contacts	Wire section [mm <sup>2</sup> ]	Screw joint for cable [mm]
STE-2606-G	6 004 193	Male connector   straight	6 + PE	max. 0.75	max. 9.5
DOS-2606-G	6 004 194	Female connector   straight	6 + PE	max. 0.75	max. 9.5

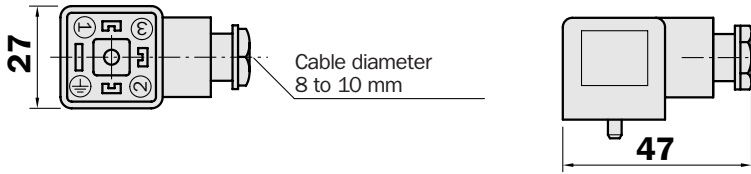
**DIN 43650, 43652**

Rectangular connector

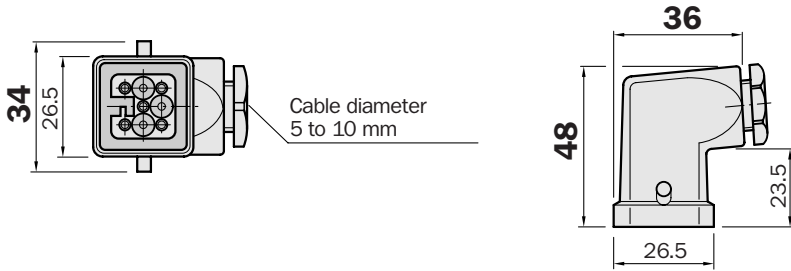
- Enclosure rating IP 65
- Connectors for connection of special sensors
- Connector acc. DIN 43650 (Design A) DIN 43652

Dimensional drawings

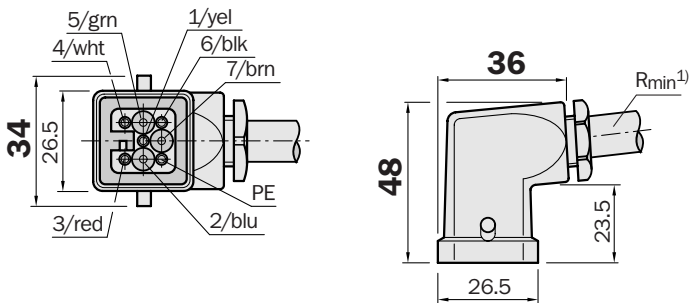
DOS-0303-W



DOS-2707-W



DOL-2706...M



1) Minimum bend radius in dynamic use  
 $R_{min} = 20 \times \text{cable diameter}$



## Technical data

<b>Nominal voltage U<sub>b</sub></b>		250 V AC/300 V DC
<b>Transit resistance</b>	DOS-0303...	≤ 15 mΩ
<b>Nominal power</b>	DOS-0303...	10 A
<b>Insulation resistance</b>	DOS-0303	> 10 <sup>10</sup> Ω
<b>Connector diameter</b>		Max. 1.5 mm <sup>2</sup>
<b>Housing material</b>	DOS-0303	PA6
<b>Contact</b>		CuZn, brass nickeled
<b>Cable (DOL-2706...)</b>		PVC (3 x 0.75 mm <sup>2</sup> /4 x 0.5 mm <sup>2</sup> )

## Order information

## Rectangular connector, DIN 43650 (Design A)

Type	Order no.	Description	Contacts	Cable	Cable length [m]
DOS-0303-W	6 005 698	Female connector	3 + PE	8 ... 10 mm	terminal screwed

Rectangular connector, DIN 43652 (26.5 x 26.5 mm<sup>2</sup>)

Type	Order no.	Description	Contacts	Cable	Cable length [m]
DOS-2707-W	2 007 901	Female connector	7 + PE	5 ... 10 mm	terminal screwed
DOL-2706-02M	2 006 545	Female connector	7 + PE	PVC	2
DOL-2706-06M	2 006 860	Female connector	7 + PE	PVC	6
DOL-2706-10M	2 007 595	Female connector	7 + PE	PVC	10

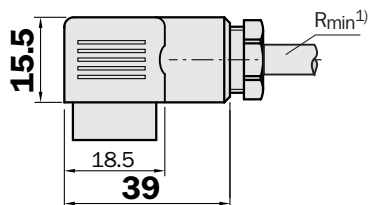
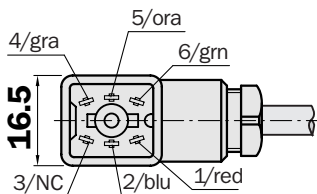
## Q6, Q7, DC/AC-coding

Rectangular connector

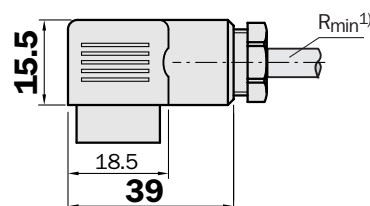
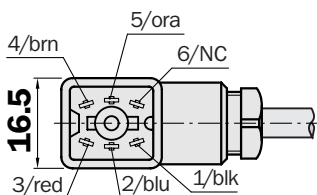
- Enclosure rating IP 65
- Connectors specifically for DC/AC voltage supply
- Connectors for connection of special sensors

### Dimensional drawings

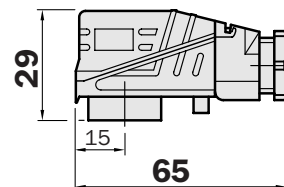
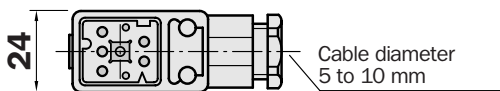
DO-1306-....



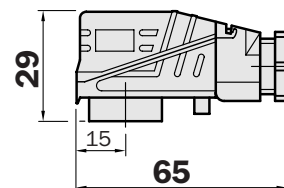
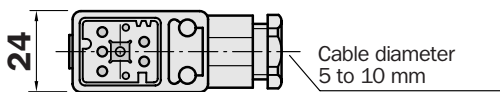
DO-1406-....



DOS-2107-W



DOS-2207-W



1) Minimum bend radius in dynamic use  
 $R_{min} = 20 \times \text{cable diameter}$

## Technical data

<b>Nominal voltage U<sub>b</sub></b>	250 V AC/300 V DC
<b>Nominal power</b>	6 A
<b>Insulation group</b>	C acc. VDE 0110
<b>Temperature range</b>	-40 °C ... +90 °C (connector)
<b>Connector diameter</b>	Max. 0.5 mm <sup>2</sup> (Q6 connector), solder Max. 1.0 mm <sup>2</sup> (Q7 connector), screw connection
<b>Cable</b>	PVC (5 x 0.25 mm <sup>2</sup> , DC-coding) (5 x 0.5 mm <sup>2</sup> , AC-coding)

## Order information

Rectangular connector Q6 (16.5 x 18.5 mm<sup>2</sup>), DC-/AC-coding

Type	Order no.	Description	Contacts	Specification	Cable	Cable length [m]
DOS-1306-W	6 006 710	Female connector	6	DC-coding	5 ... 8 mm	terminal screwed
DOL-1306-02M	2 009 477	Female connector	6	DC-coding	PVC	2
DOL-1306-03M	2 009 478	Female connector	6	DC-coding	PVC	3
DOL-1306-05M5	2 009 479	Female connector	6	DC-coding	PVC	5.5
DOL-1306-10M	2 009 480	Female connector	6	DC-coding	PVC	10
DOS-1406-W	6 006 685	Female connector	6	AC-coding	5 ... 8 mm	terminal screwed
DOL-1406-02M	2 009 116	Female connector	6	AC-coding	PVC	2
DOL-1406-03M	2 009 117	Female connector	6	AC-coding	PVC	3
DOL-1406-05M5	2 009 118	Female connector	6	AC-coding	PVC	5.5
DOL-1406-10M	2 009 119	Female connector	6	AC-coding	PVC	10

Rectangular connector Q7 (24 x 30 mm<sup>2</sup>), DC-/AC-coding

Type	Order no.	Description	Contacts	Specification	Cable	Cable length [m]
DOS-2107-W	6 006 823	Female connector	7	DC-coding	5 ... 10 mm	terminal screwed
DOS-2207-W	6 006 821	Female connector	7	AC-coding	5 ... 10 mm	terminal screwed

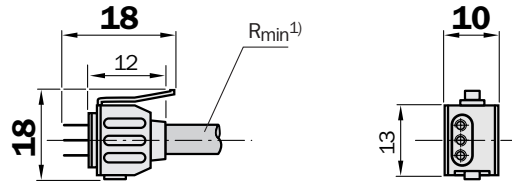
## For WLL 190T

### Connector

- Connectors for connection of WLL 190T sensors
- Gold plated pins
- Master-/Slave connector

### Dimensional drawings

DOL-LL19...M



1) Minimum bend radius in dynamic use  
 $R_{min} = 20 \times \text{cable diameter}$

**Technical data**

<b>Nominal voltage <math>U_b</math></b>	10 ... 30 V DC
<b>Nominal power</b>	100 mA (see sensor WLL 190 T)
<b>Temperature range</b>	-20 °C ... +50 °C
<b>Contact</b>	CUZn, gold plated
<b>Cable</b>	PVC, colour grey
	(3 x 0.14 mm <sup>2</sup> , master-cable)
	(1 x 0.14 mm <sup>2</sup> , slave-cable)

**Order information**
**Connector for WLL 190 T**

Type	Order no.	Description	Contacts	Specification	Cable	Cable length [m]
DOL-LL1903-02M	6 026 578	Male connector	3	Master, 3 active pins	PVC	2
DOL-LL1903-05M	6 028 379	Male connector	3	Master, 3 active pins	PVC	5
DOL-LL1901-02M	6 026 579	Male connector	3 (1)	Slave, 1 active pin	PVC	2
DOL-LL1901-05M	6 028 380	Male connector	3 (1)	Slave, 1 active pin	PVC	5

Contact:

**Australia**

Phone +61 3 9497 4100  
1800 33 48 02 – tollfree  
E-Mail sales@sick.com.au

**Belgium / Luxembourg**

Phone +32 (0)2 466 55 66  
E-Mail info@sick.be

**Brazil**

Phone +55 11 5091-4900  
E-Mail sac@sick.com.br

**Ceská Republika**

Phone +420 2 57 91 18 50  
E-Mail sick@sick.cz

**China**

Phone +852-2763 6966  
E-Mail ghk@sick.com.hk

**Danmark**

Phone +45 45 82 64 00  
E-Mail sick@sick.dk

**Deutschland**

Phone +49 (0)2 11 53 01-250  
E-Mail vzdinfo@sick.de

**España**

Phone +34 93 480 31 00  
E-Mail info@sick.es

**France**

Phone +33 1 64 62 35 00  
E-Mail info@sick.fr

**Great Britain**

Phone +44 (0)1727 831121  
E-Mail info@sick.co.uk

**Italia**

Phone +39 02 27 40 93 19  
E-Mail ced@sick.it

**Japan**

Phone +81 (0)3 3358 1341  
E-Mail info@sick.jp

**Korea**

Phone +82-2 786 6321/4  
E-Mail kang@sickkorea.net

**Netherlands**

Phone +31 (0)30 229 25 44  
E-Mail info@sick.nl

**Norge**

Phone +47 67 81 50 00  
E-Mail austefjord@sick.no

**Österreich**

Phone +43 (0)22 36 62 28 8-0  
E-Mail office@sick.at

**Polska**

Phone +48 22 837 40 50  
E-Mail info@sick.pl

**Schweiz**

Phone +41 41 619 29 39  
E-Mail contact@sick.ch

**Singapore**

Phone +65 6744 3732  
E-Mail admin@sicksgp.com.sg

**Suomi**

Phone +358-9-25 15 800  
E-Mail sick@sick.fi

**Sverige**

Phone +46 8 680 64 50  
E-Mail info@sick.se

**Taiwan**

Phone +886 2 2365-6292  
E-Mail sickgrc@ms6.hinet.nete

**Türkiye**

Phone +90 216 388 95 90 pbx  
E-Mail info@sick.com.tr

**USA / Canada / Mexico**

Phone +1(952) 941-6780  
1 800-325-7425 – tollfree  
E-Mail info@sickusa.com

More representatives and agencies  
in all major industrial nations at  
[www.sick.com](http://www.sick.com)

## X-ON Electronics

Largest Supplier of Electrical and Electronic Components

*Click to view similar products for [Fibre Optic Sensors](#) category:*

*Click to view products by [Sick](#) manufacturer:*

Other Similar products are found below :

[FX-501](#) [E32T12B2M](#) [BFX-D1-N](#) [BFX-D1-P](#) [NT-D35FZ](#) [NFT-310](#) [NFTE-310](#) [CN-14A-R-C2](#) [CN-73-C1](#) [ASBSV 8/LED 5](#) [AU-F03-PNP-](#)  
[NO](#) [LL3-TB01](#) [FD-31W](#) [FD-42G](#) [E32-D11L 2M](#) [E32-T11L 2M](#) [FS-04D-100](#) [FS-15T-100](#) [FX-101-CC2](#) [FX-101P](#) [FX-101P-CC2](#) [FX-101P-](#)  
[Z](#) [FX-102-CC2](#) [FD-31](#) [FD-62](#) [FX-502](#) [E3X-NA41 2M](#) [FT-F93](#) [FX-102P-CC2](#) [FX-502P](#) [FX-505P-C2](#) [CN-73-C2](#) [CN-24A-C5](#) [CN-24A-C2](#)  
[CN-14A-R-C5](#) [CN-14A-R-C1](#) [TEKT5400S](#) [FT-42](#) [FT-A11](#) [FX-301P](#) [HEDS-5540#A11](#) [SAIL-M8BW-4-10U](#) [YF2A15-100UB5XLEAX](#)  
[E32-T14L 2M](#) [LL3-DT01](#) [FD-S21](#) [FT-R43](#) [FX301](#) [FX311](#) [FX311P](#)