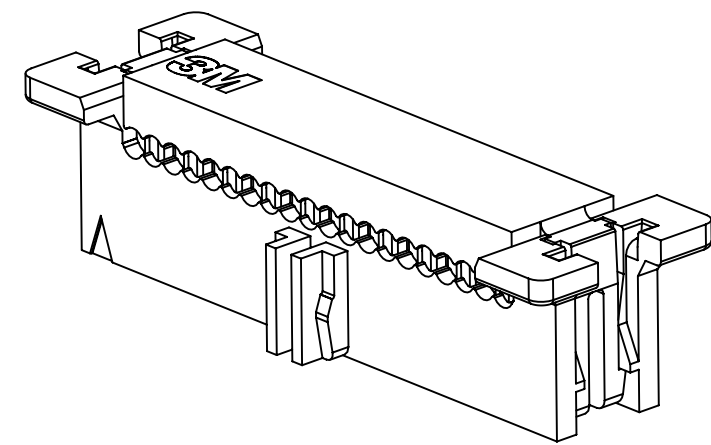
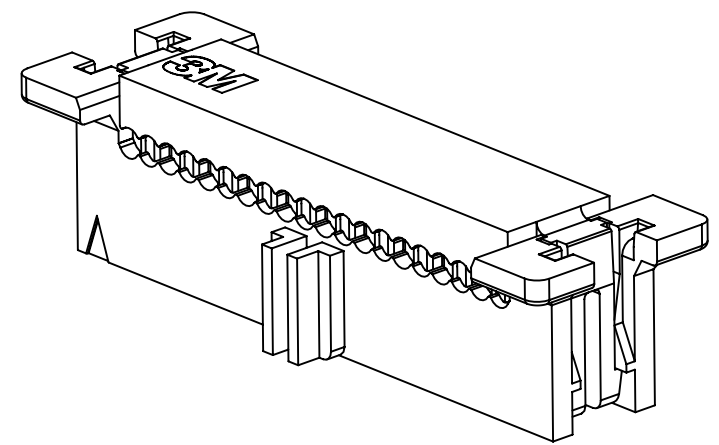


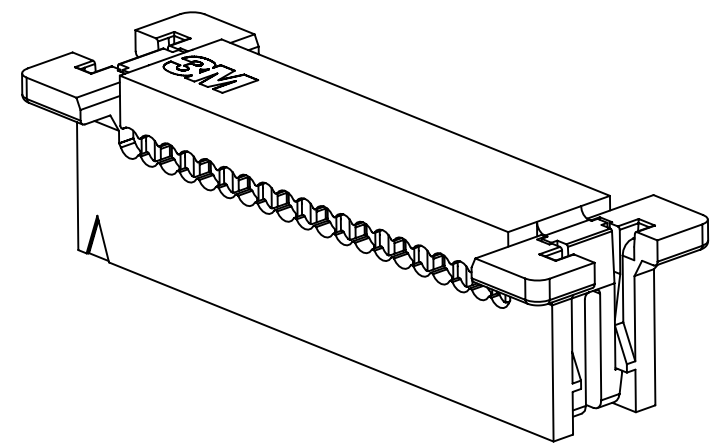
3M™ RIBBON CABLE WIREMOUNT SOCKET ASSEMBLY,
 .05" X .05" (1.27mm X 1.27mm) PITCH, 451 SERIES



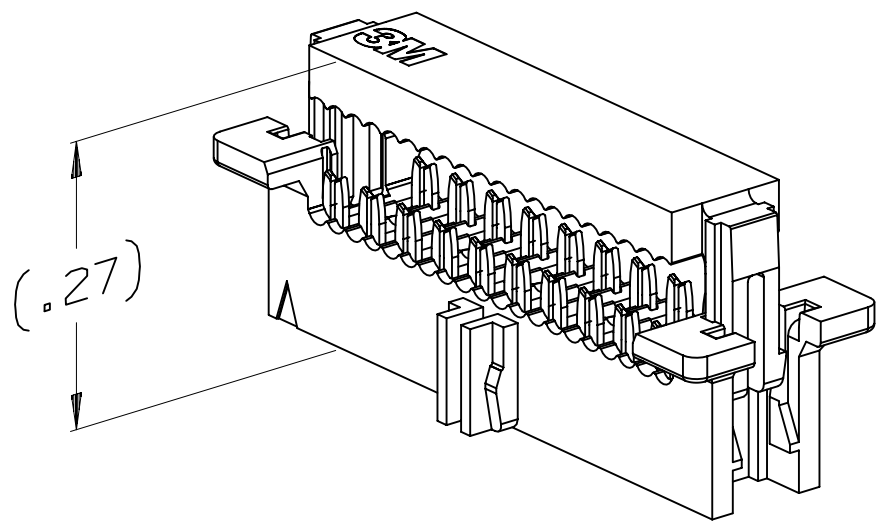
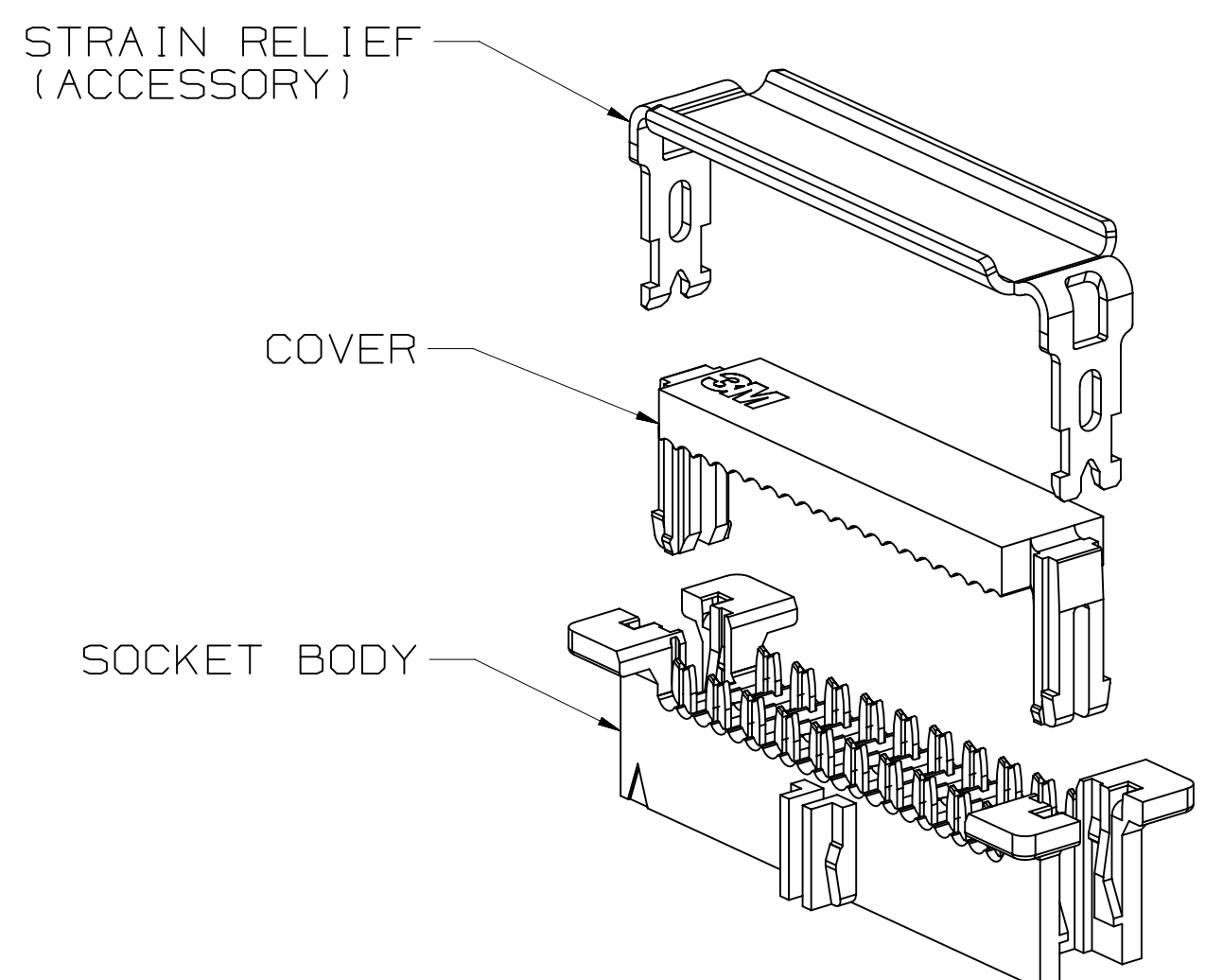
CENTER POLARIZATION AND FRICTION LATCH



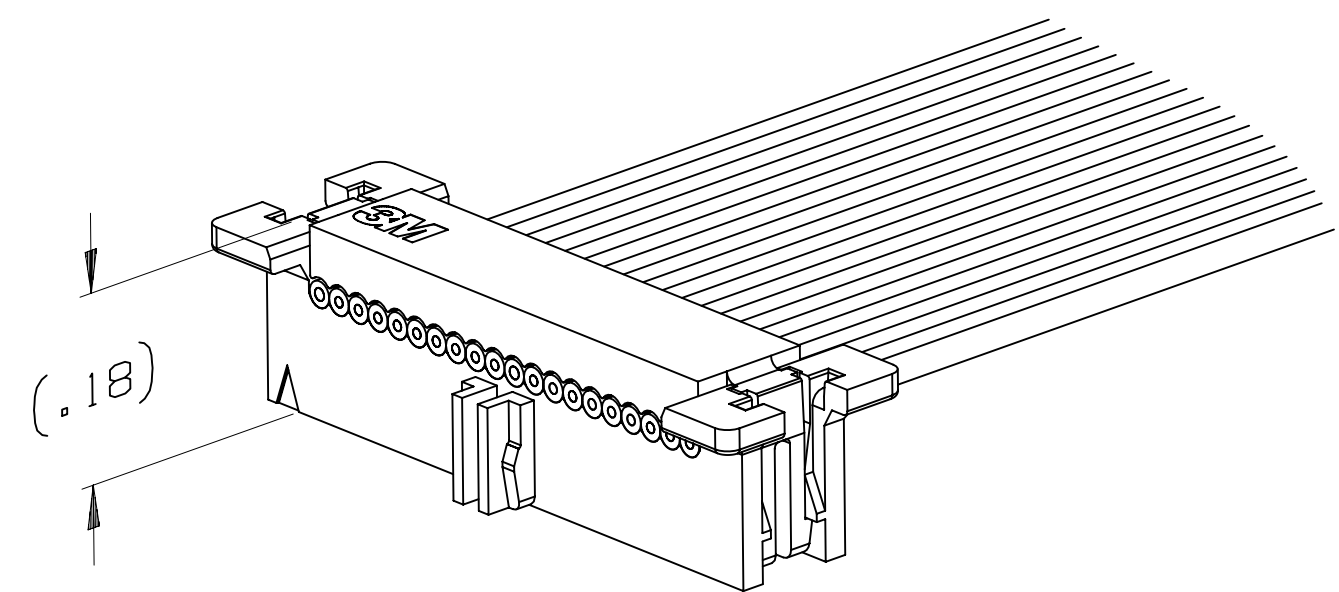
CENTER POLARIZATION AND NO FRICTION LATCH



NO CENTER POLARIZATION AND NO FRICTION LATCH

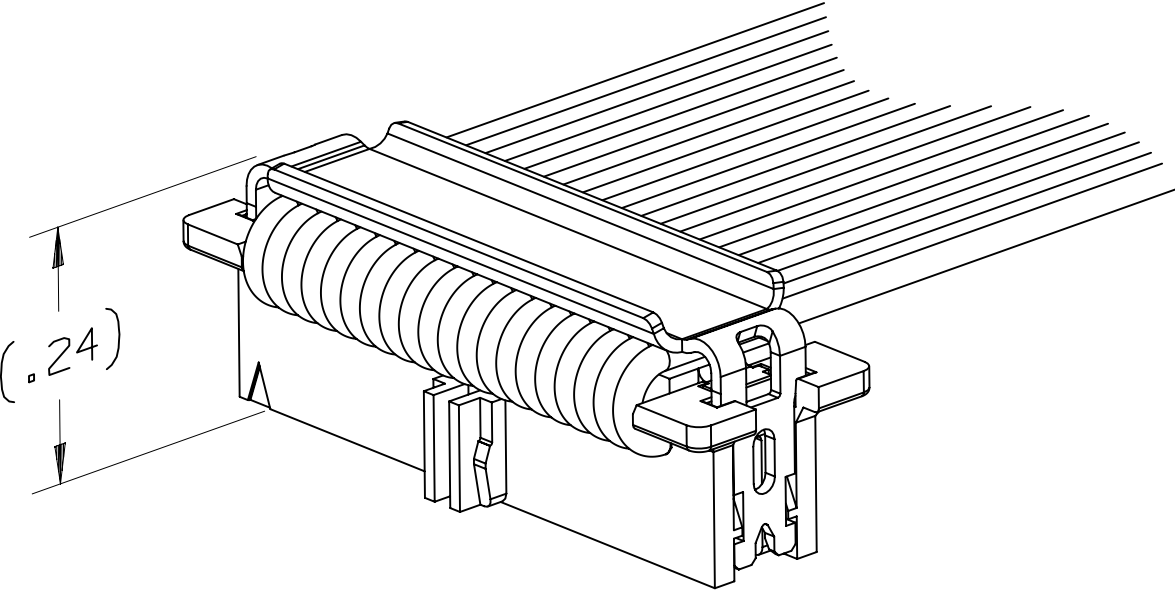


PRE-POSITIONED COVER



NO STRAIN RELIEF

TERMINATED CONNECTOR



WITH OPTIONAL STRAIN RELIEF

Performance:	
Current Rating:	1.0 A, all lines energized, 30C temp rise per EIA 364-70 1.5 A, 6 lines energized, 30C temp rise per EIA 364-70 2.5 A, 1 line energized, 30C temp rise per EIA 364-70
Voltage Rating:	125V min
Insulation Resistance:	> 1 x 10 ⁹ Ohms at 500 VDC
Withstanding Voltage:	1250VACrms at sea level
Operating Temperature:	-55°C to +105°C

ORDERING INFORMATION FOR RAPID INSTALLATION ON RIBBON CABLE APPLICATIONS

451 XX - 0 X 0 0 XX

SERIES ——— POSITION COUNT ——— PLATING ———
 04 - 30 SEE TABLE 1 00 = AU FLASH 30 = 30μ" GOLD

OPTIONAL FEATURES ——— PACKAGING ———
 0 = NONE SPECIFIED 0 = STANDARD (TRAYS)

CENTER POLARIZATION / FRICTION LATCH
 0 = NO CENTER POLARIZATION (CP) (04-30 POS.)
 1 = CP NO FRICTION LATCH (08 - 30 POS.)
 2 = CP WITH FRICTION LATCH (08 - 30 POS.)

NOTE:
 FRICTION LATCH (OPTION 2) IS NOT SUITABLE FOR HEADER WITH LATCH EJECT OPTION

ACCESSORY: STRAIN RELIEF
 3448-451XX

POSITION COUNT
 04 - 30

APPLICATION TOOLING:
 ALUMINUM: 3443-82-XX

POSITION COUNT
 04 - 30

- NOTES
- MATERIAL: BODY: PBT, UL94V-0
COVER: PBT, UL94V-0
STRAIN RELIEF: 304 STAINLESS STEEL
CONTACTS: COPPER ALLOY.
 - PLATING: 50-150μ" NICKEL UNDERPLATE
30 = 30μ" MIN. GOLD ON WIPING AREA
00 = FLASH GOLD ON WIPING AREA.
 - RIBBON CABLE COMPATIBILITY: GENERAL: 0.025" PITCH PVC, PO, TPE, OR FEP CABLE 30 AWG, SOLID OR 7 STRAND.
RECOMMENDED: 3M 3754, 3749, HF447 SERIES CABLE.
 - MATING COMPATIBILITY: 3M .050" X .050" SERIES 452 HEADER WITH LATCH/EJECT OPTION.
 - REGULATORY INFORMATION: ROHS COMPLIANT. SEE THE REGULATORY INFORMATION APPENDIX (RIA) IN THE "ROHS COMPLIANCE" SECTION OF WWW.3MCONNECTORS.COM FOR COMPLIANCE INFORMATION (RIA E1 & C1 APPLY)
 - IN THE EVENT OF CONFLICT BETWEEN THIS DATA AND THAT CONTAINED IN THE PRODUCT SPECIFICATION, THE PRODUCT SPECIFICATION TAKES PRECEDENT.
 - REFERENCE RELATED DOCUMENTS: PRODUCT SPECIFICATION: 3M DOC. ID# 78-5102-0091-4.
 - TOOLING AND INSTALLATION INSTRUCTIONS: 3M DOC. ID# 78-9101-5361-4
 - OTHER PIN COUNTS AVAILABLE UPON REQUEST. CONTACT 3M.
 - PACKAGING: SOCKET: TRAY
COVER: BAG

3M™ ELECTRONIC SOLUTIONS DIVISION
 INTERCONNECT SOLUTIONS
<http://www.3mconnectors.com>

3M IS A TRADEMARK OF 3M COMPANY.
 FOR TECHNICAL, SALES OR ORDERING
 INFORMATION CALL 800-225-5373

DESIGN REFERENCE	NEXT ASSEMBLY	REV	ECO	ISSUE DATE AND DESCRIPTION	DRFT	CHKD
		ARM		FEB 11, 2011		
DIVISION		DIVISION CODE		DATE		
Interconnect Solutions		ISD		FEB 11, 2011		
DO NOT SCALE DRAWING	SCALE 6-1	TOLERANCES EXCEPT AS NOTED		INCHES: .00 ± .01, .00 ± .02, .000 ± .010, .0000 ± .005		
THIRD ANGLE PROJECTION		INTERPRET PER ASME Y14.5 - 1994		MILLIMETERS: 0 ± .01, .00 ± .005, .00 ± .000		
MAX SURFACE ROUGHNESS		SURFACES		MARKED ONLY		
				ANGLES		
CAGE NUMBER		SIZE	DRAWING NO.	REV.		
D			78-5100-2436-3	B		
MODEL		IDET		SHT 1 OF 2		

3M Center St. Paul, MN 55144

© 3M COPYRIGHT 2013
 This document and the information it contains are 3M property and may not be reproduced or further distributed without 3M permission, or used or disclosed other than for 3M authorized purposes. All rights reserved.

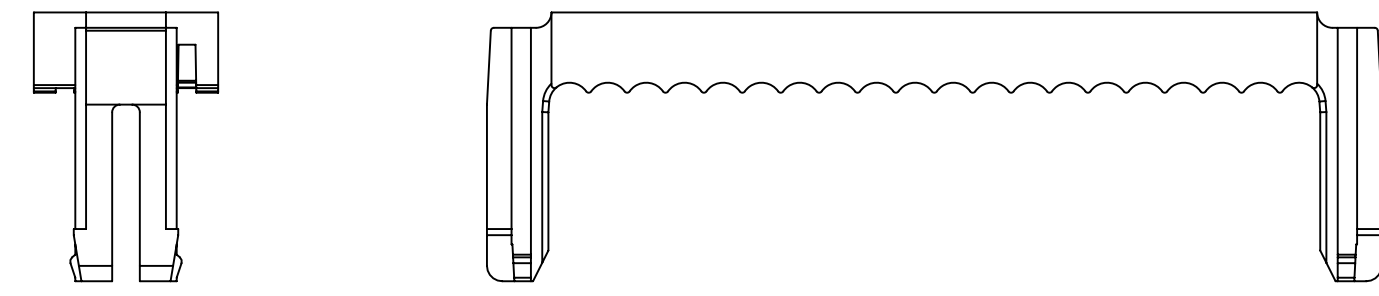
TITLE: RIBBON CABLE SOCKET, .05 X .05 PITCH, 451 SERIES

78-5100-2436-3 B REV. 10/11
 7/12/2013 2:35 PM UTC-05:00
 DWT/MS/STP

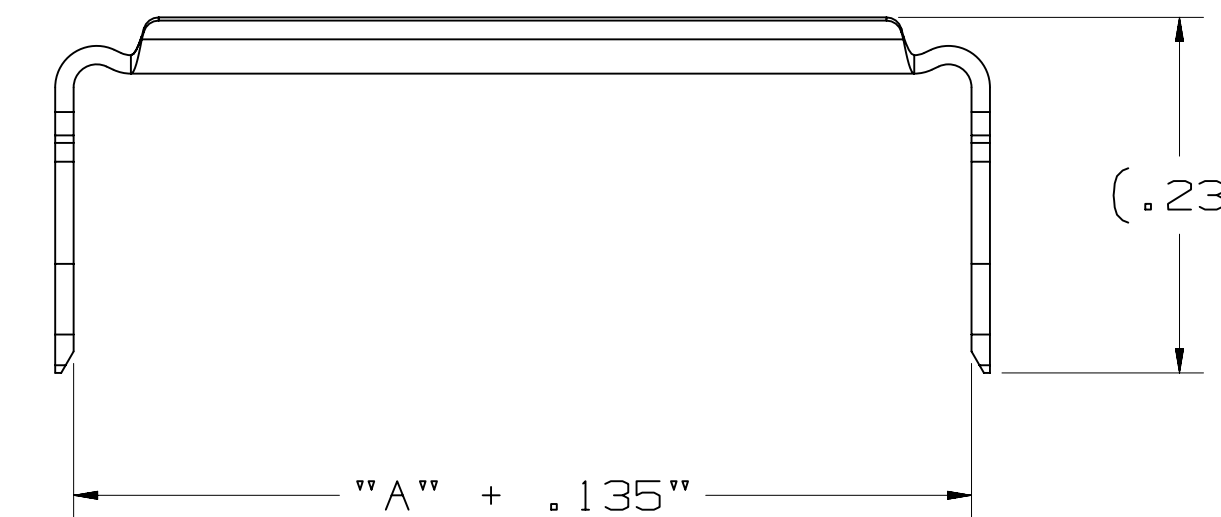
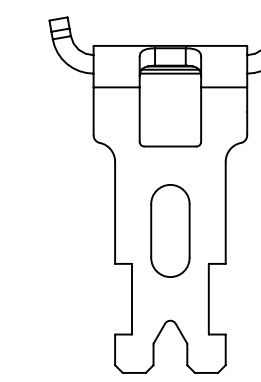
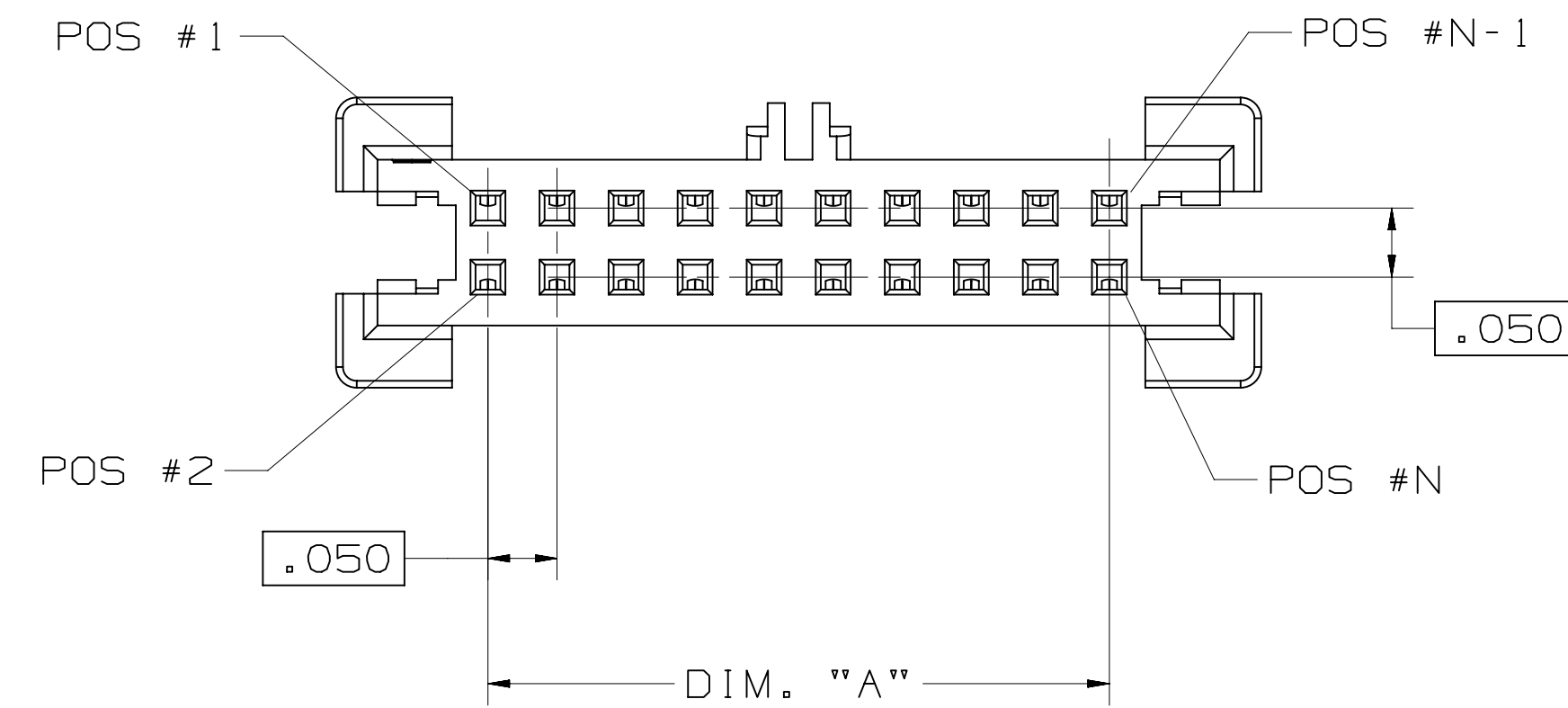
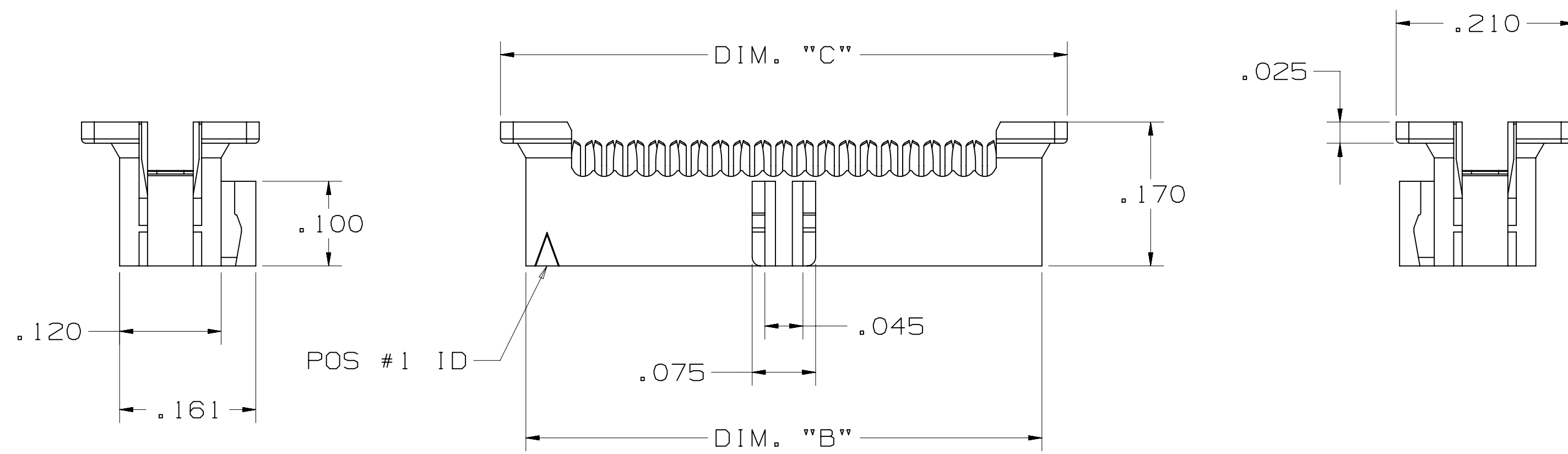
3M™ RIBBON CABLE WIREMOUNT SOCKET ASSEMBLY,
 .05" X .05" (1.27mm X 1.27mm) PITCH, 451 SERIES

TABLE 1

No. Positions	Dim "A"	Dim "B"	Dim "C"
4	.050	.210	.270
6	.100	.260	.320
8	.150	.310	.370
10	.200	.360	.420
12	.250	.410	.470
14	.300	.460	.520
16	.350	.510	.570
20	.450	.610	.670
30	.700	.860	.920



COVER



ACCESSORY - STRAIN RELIEF
 PART NUMBER 3448-451XX

DESIGN REFERENCE	NEXT ASSEMBLY	REV	ECO	ISSUE DATE AND DESCRIPTION	DRFT	CHKD
		ARM		FEB 11, 2011		
DIVISION	DIVISION CODE	DATE	DATE	DATE	DATE	DATE
Interconnect Solutions	ISD					
DO NOT SCALE DRAWING	SCALE 4/1	TOLERANCES EXCEPT AS NOTED				
		INCHES: .0 ± .1, .00 ± .02, .000 ± .010, .0000 ± .005				
		MILLIMETERS: 0 ± .1, .00 ± .02, .000 ± .005				
THIRD ANGLE PROJECTION		INTERPRET PER ASME Y14.5 - 1994				
		MAX SURFACE ROUGHNESS: .00 ± .000, .000 ± .0005				
		MARKED ONLY				
3M Center St. Paul, MN 55144		© 3M COPYRIGHT 2013. This document and the information it contains are 3M property and may not be reproduced or further distributed without 3M permission, or used or disclosed other than for 3M authorized purposes. All rights reserved.				
TITLE		RIBBON CABLE SOCKET, .05 X .05 PITCH, 451 SERIES				
CAGE NUMBER	SIZE	DRAWING NO.	REV.			
D		78-5100-2436-3	B			
MODEL		DET: <input type="checkbox"/> YES <input checked="" type="checkbox"/> NO SHT 2 OF 2				

78-5100-2436-3
 DRAWING NUMBER
 B
 REVISION
 A
 7/12/2013 2:35 PM UTC-05:00
 Imaged: B.1 7/12/2013 2:35 PM UTC-05:00