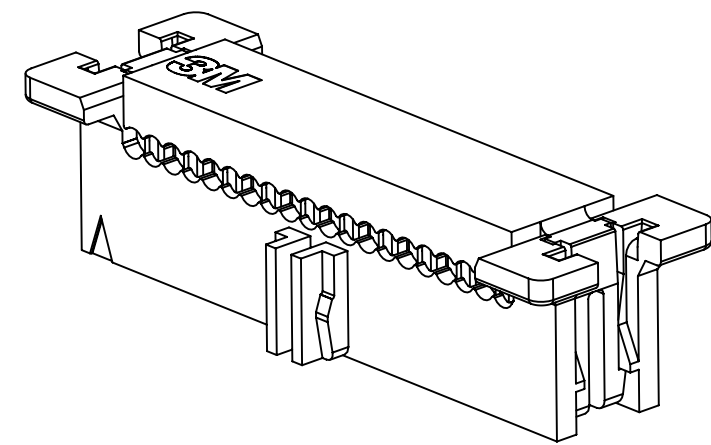
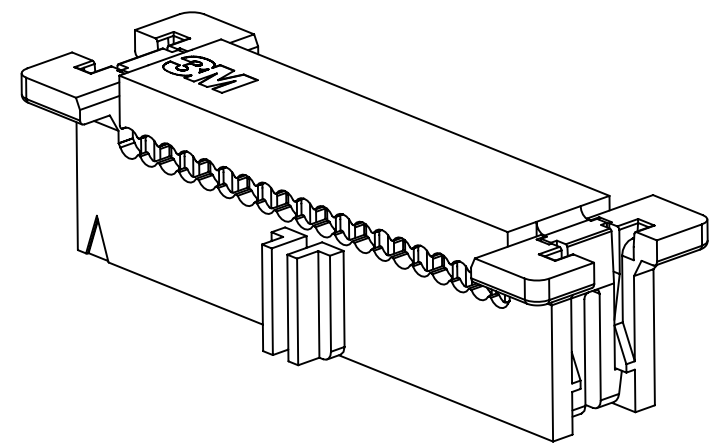


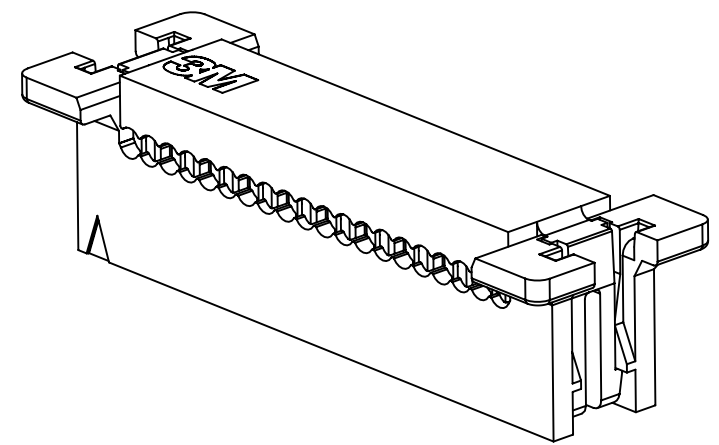
3M™ RIBBON CABLE WIREMOUNT SOCKET ASSEMBLY,
 .05" X .05" (1.27mm X 1.27mm) PITCH, 451 SERIES



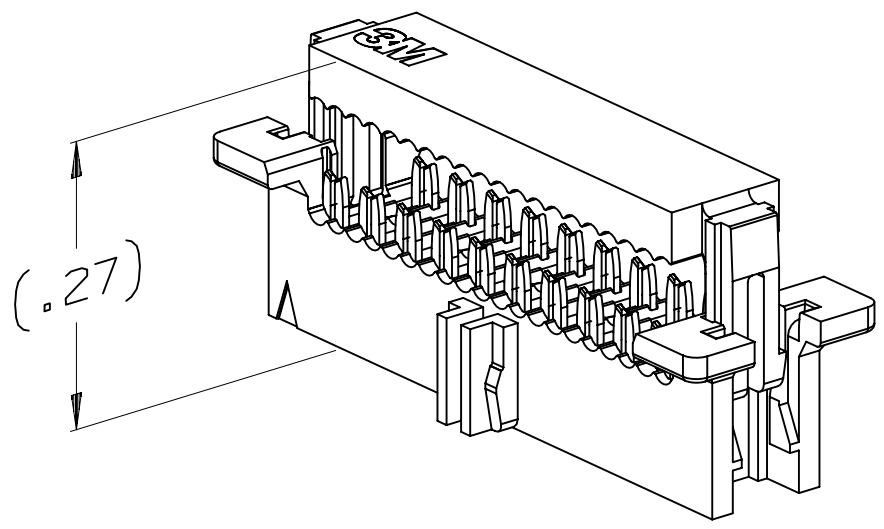
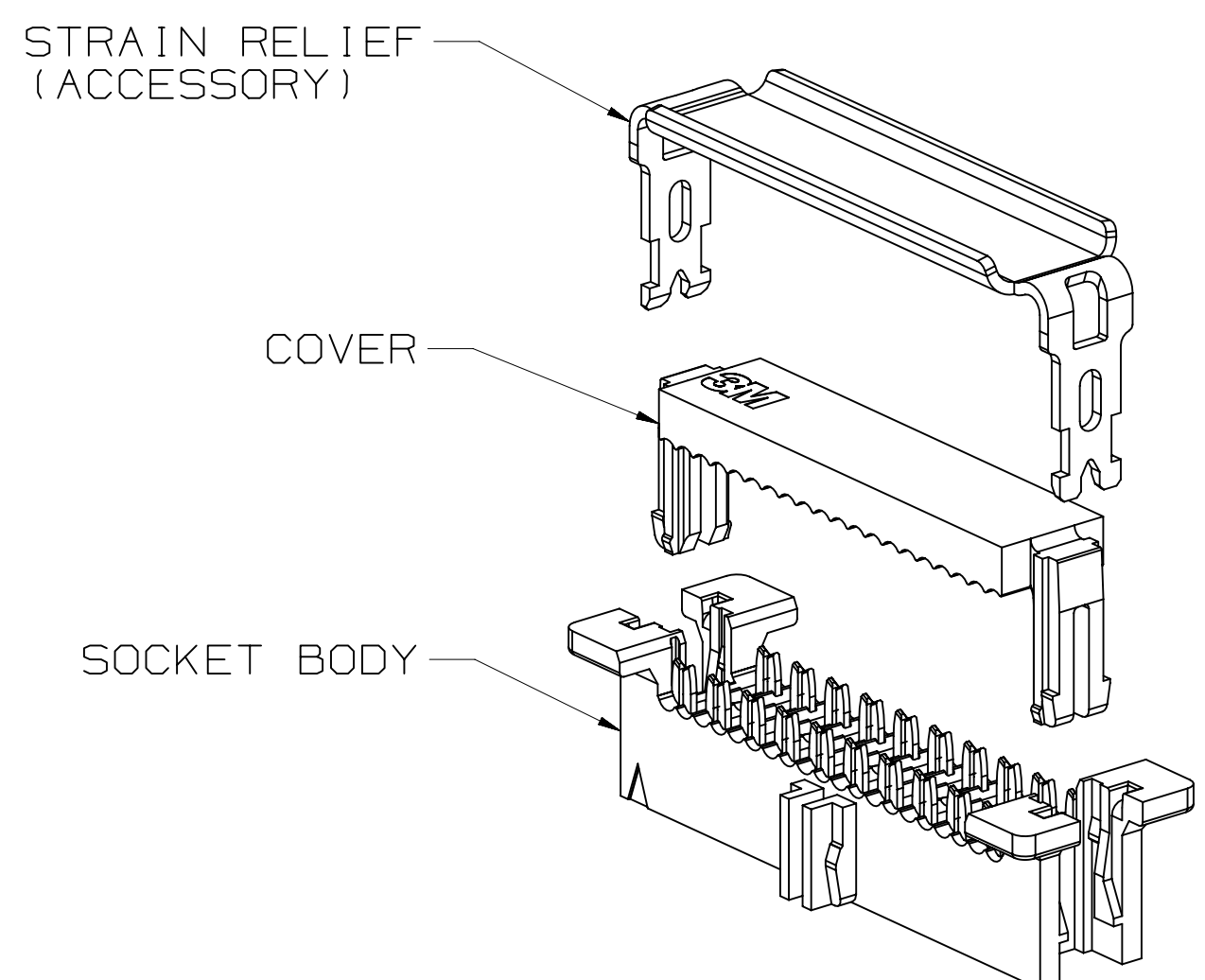
CENTER POLARIZATION
AND FRICTION LATCH



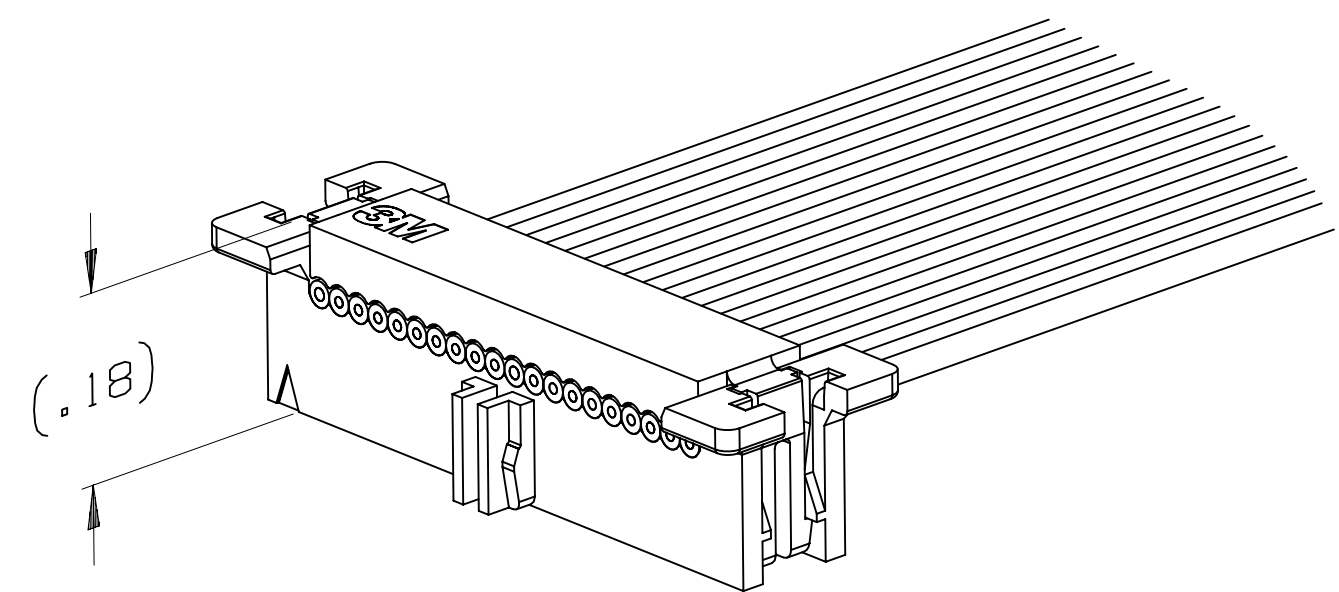
CENTER POLARIZATION
AND NO FRICTION LATCH



NO CENTER POLARIZATION
AND NO FRICTION LATCH

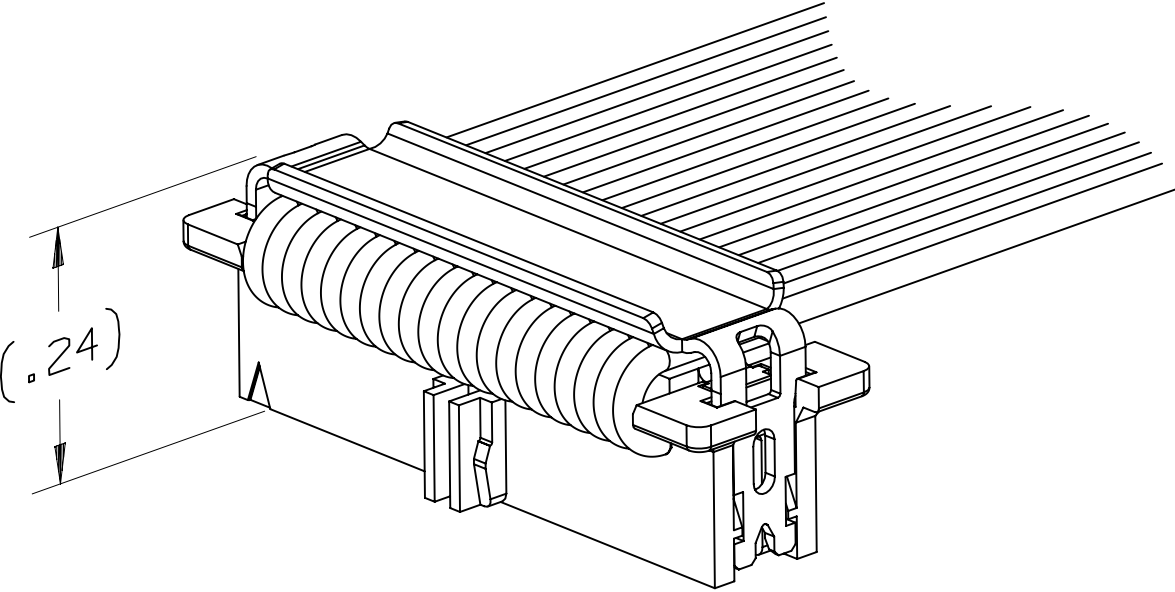


PRE-POSITIONED COVER



NO STRAIN RELIEF

TERMINATED
CONNECTOR



WITH OPTIONAL
STRAIN RELIEF

Performance:	
Current Rating:	1.0 A, all lines energized, 30C temp rise per EIA 364-70 1.5 A, 6 lines energized, 30C temp rise per EIA 364-70 2.5 A, 1 line energized, 30C temp rise per EIA 364-70
Voltage Rating:	125V min
Insulation Resistance:	> 1 x 10 ⁹ Ohms at 500 VDC
Withstanding Voltage:	1250VACrms at sea level
Operating Temperature:	-55°C to +105°C

ORDERING INFORMATION
FOR RAPID INSTALLATION ON
RIBBON CABLE APPLICATIONS

451 XX - 0 X 0 0 XX

SERIES ——— PLATING
00 = AU FLASH
30 = 30μ" GOLD

POSITION COUNT ———
04 - 30
SEE TABLE 1

OPTIONAL FEATURES
0 = NONE SPECIFIED

PACKAGING
0 = STANDARD (TRAYS)

CENTER POLARIZATION / FRICTION LATCH
 0 = NO CENTER POLARIZATION (CP) (04-30 POS.)
 1 = CP NO FRICTION LATCH (08 - 30 POS.)
 2 = CP WITH FRICTION LATCH (08 - 30 POS.)

NOTE:
FRICTION LATCH (OPTION 2) IS NOT SUITABLE
FOR HEADER WITH LATCH EJECT OPTION

ACCESSORY: STRAIN RELIEF
3448-451XX

POSITION COUNT
04 - 30

APPLICATION TOOLING:
ALUMINUM: 3443-82-XX

POSITION COUNT
04 - 30

- NOTES
- MATERIAL:
BODY: PBT, UL94V-0
COVER: PBT, UL94V-0
STRAIN RELIEF: 304 STAINLESS STEEL
CONTACTS: COPPER ALLOY.
 - PLATING:
50-150μ" NICKEL UNDERPLATE
30 = 30μ" MIN. GOLD ON WIPING AREA
00 = FLASH GOLD ON WIPING AREA.
 - RIBBON CABLE COMPATIBILITY:
GENERAL:
0.025" PITCH PVC, PO, TPE, OR FEP CABLE 30 AWG, SOLID OR 7 STRAND.
RECOMMENDED:
3M 3754, 3749, HF447 SERIES CABLE.
 - MATING COMPATIBILITY:
3M .050" X .050" SERIES 452 HEADER WITH LATCH/EJECT OPTION.
 - REGULATORY INFORMATION:
ROHS COMPLIANT. SEE THE REGULATORY INFORMATION APPENDIX (RIA) IN THE "ROHS COMPLIANCE" SECTION OF WWW.3MCONNECTORS.COM FOR COMPLIANCE INFORMATION (RIA E1 & C1 APPLY)
 - IN THE EVENT OF CONFLICT BETWEEN THIS DATA AND THAT CONTAINED IN THE PRODUCT SPECIFICATION, THE PRODUCT SPECIFICATION TAKES PRECEDENT.
 - REFERENCE RELATED DOCUMENTS:
PRODUCT SPECIFICATION:
3M DOC. ID# 78-5102-0091-4.
 - TOOLING AND INSTALLATION INSTRUCTIONS:
3M DOC. ID# 78-9101-5361-4
 - OTHER PIN COUNTS AVAILABLE UPON REQUEST. CONTACT 3M.
 - PACKAGING:
SOCKET: TRAY
COVER: BAG

DESIGN REFERENCE	NEXT ASSEMBLY	REV	ECO	ISSUE DATE AND DESCRIPTION	DRFT	CHKD
		B	48635	JUL 12, 2013 MATCH TEXT FONTS & ADD NOTE 10	JNC	SN
		A	46797	MAR 25, 2013 PRODUCTION RELEASE	JNC	SAN

DATE	DATE	DATE	DATE
FEB 11, 2011	FEB 11, 2011	FEB 11, 2011	FEB 11, 2011

INCHES	MILLIMETERS
DO NOT SCALE DRAWING	SCALE 6/1
TOLERANCES EXCEPT AS NOTED	
INCHES: .00 ± .01, .00 ± .02, .000 ± .010, .0000 ± .005	MILLIMETERS: 0 ± .01, .00 ± .02, .000 ± .005
THIRD ANGLE PROJECTION	
INTERPRET PER ASME Y14.5 - 1994	
MAX SURFACE ROUGHNESS	
DT SURFACES	
MARKED ONLY	

3M Center St. Paul, MN 55144

© 3M COPYRIGHT 2013
This document and the information it contains are 3M property and may not be reproduced or further distributed without 3M permission, or used or disclosed other than for 3M authorized purposes. All rights reserved.

TITLE: RIBBON CABLE SOCKET, .05 X .05 PITCH, 451 SERIES

CAGE NUMBER: D78-5100-2436-3

REV. B

MODEL: SHT 1 OF 2

3M™ ELECTRONIC SOLUTIONS DIVISION
INTERCONNECT SOLUTIONS
<http://www.3mconnectors.com>

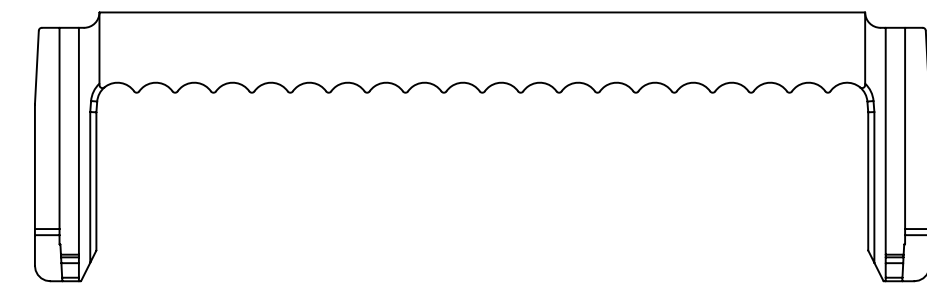
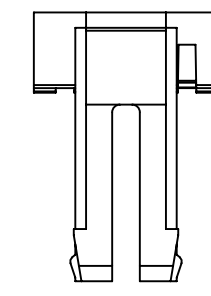
3M IS A TRADEMARK OF 3M COMPANY.
FOR TECHNICAL, SALES OR ORDERING
INFORMATION CALL 800-225-5373

78-5100-2436-3 REV B 7/12/2013 2:35 PM UTC-05:00

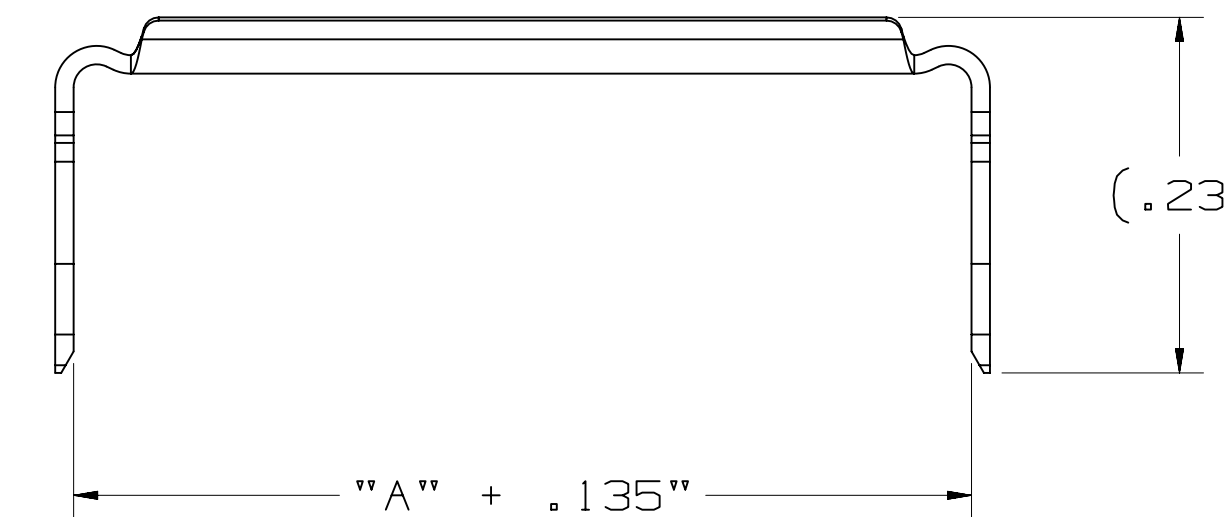
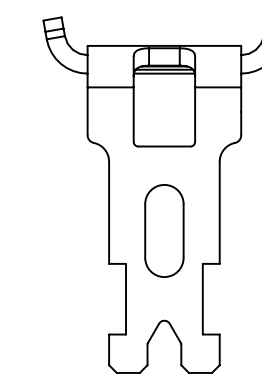
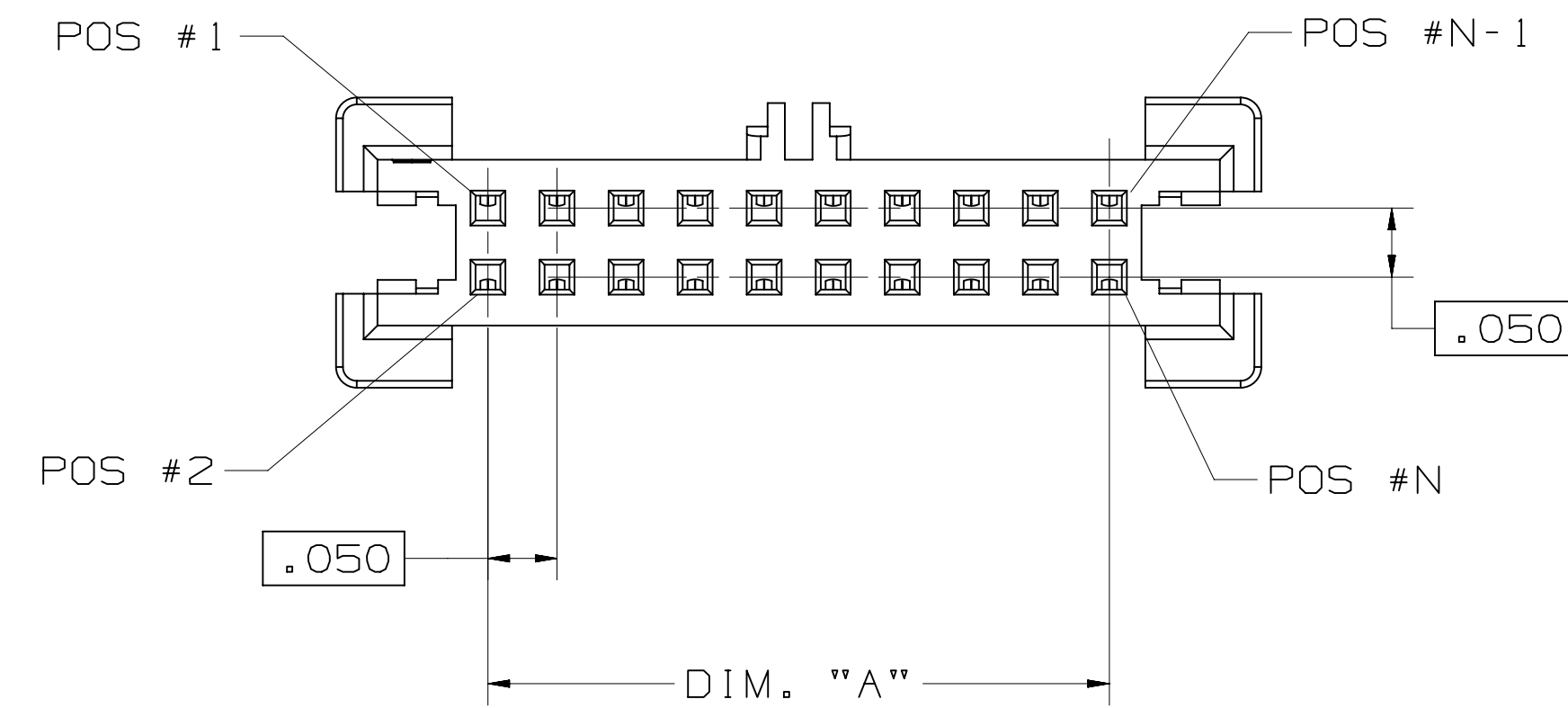
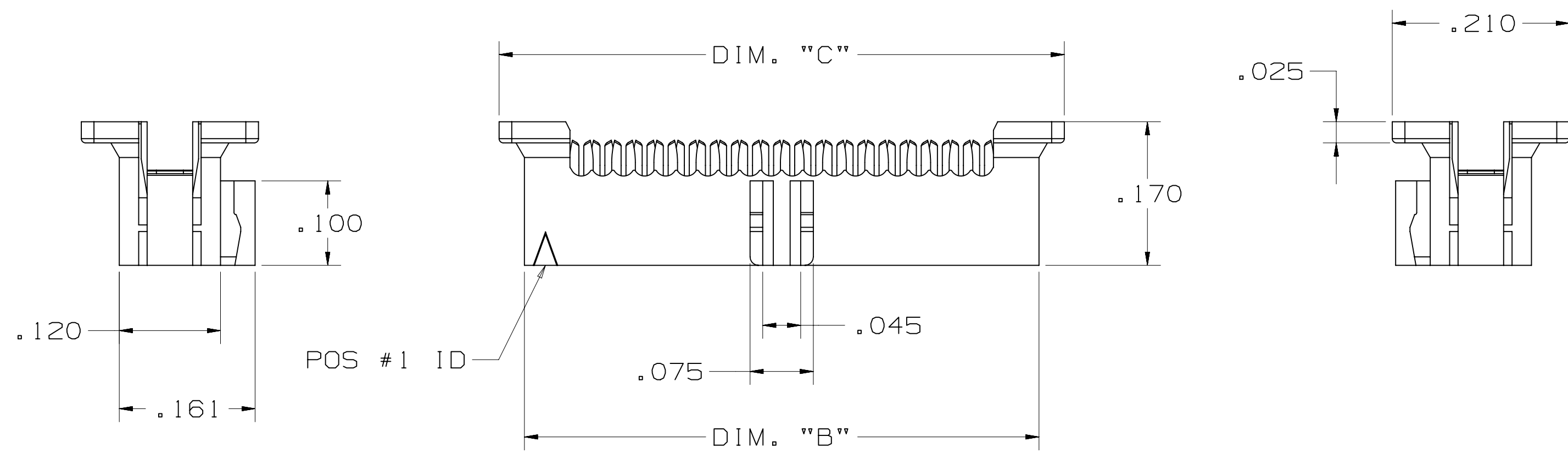
3M™ RIBBON CABLE WIREMOUNT SOCKET ASSEMBLY,
 .05" X .05" (1.27mm X 1.27mm) PITCH, 451 SERIES

TABLE 1

No. Positions	Dim "A"	Dim "B"	Dim "C"
4	.050	.210	.270
6	.100	.260	.320
8	.150	.310	.370
10	.200	.360	.420
12	.250	.410	.470
14	.300	.460	.520
16	.350	.510	.570
20	.450	.610	.670
30	.700	.860	.920



COVER



ACCESSORY - STRAIN RELIEF
 PART NUMBER 3448-451XX

DESIGN REFERENCE	NEXT ASSEMBLY	REV	ECO	ISSUE DATE AND DESCRIPTION	DRFT	CHKD
		B	48635	JUL 12, 2013 MATCH TEXT FONTS & ADD NOTE 10	JNC	SN
		A	46797	MAR 25, 2013 PRODUCTION RELEASE	JNC	SAN
				FEB 11, 2011		
				FEB 11, 2011		

DIVISION	Interconnect Solutions	DIVISION CODE	ISD
DO NOT SCALE DRAWING	SCALE 4/1	TOLERANCES EXCEPT AS NOTED	
THIRD ANGLE PROJECTION		INCHES	.0 ± .1 .00 ± .02 .000 ± .010 .0000 ± .005
INTERPRET PER ASME Y14.5 - 1994		MILLIMETERS	0 ± .0 ± .00 ± .000 ±
MAX SURFACE ROUGHNESS		ANGLES	
MARKED ONLY			

		© 3M COPYRIGHT 2013 This document and the information it contains are 3M property and may not be reproduced or further distributed without 3M permission, or used or disclosed other than for 3M authorized purposes. All rights reserved.	
TITLE RIBBON CABLE SOCKET, .05 X .05 PITCH, 451 SERIES		CAGE NUMBER D78-5100-2436-3	
MODEL		REV. B	

78-5100-2436-3
 DRAWING NUMBER
 B
 REVISION
 7/12/2013 2:35 PM UTC-05:00
 Imaged: B.1 7/12/2013 2:35 PM UTC-05:00