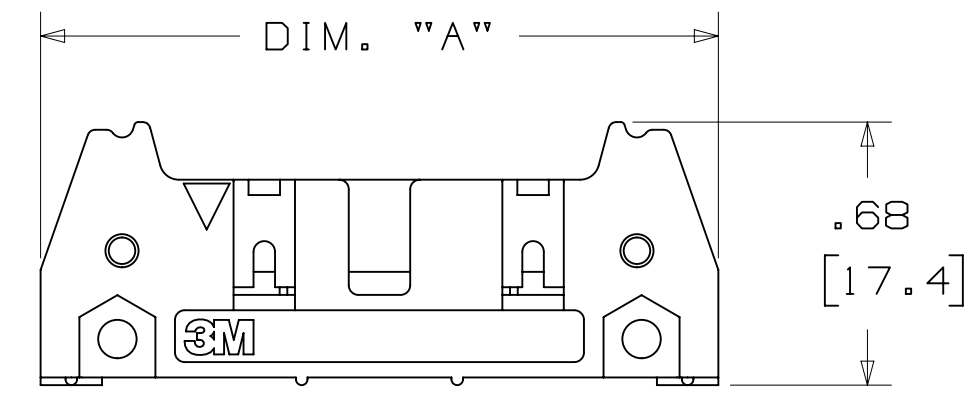
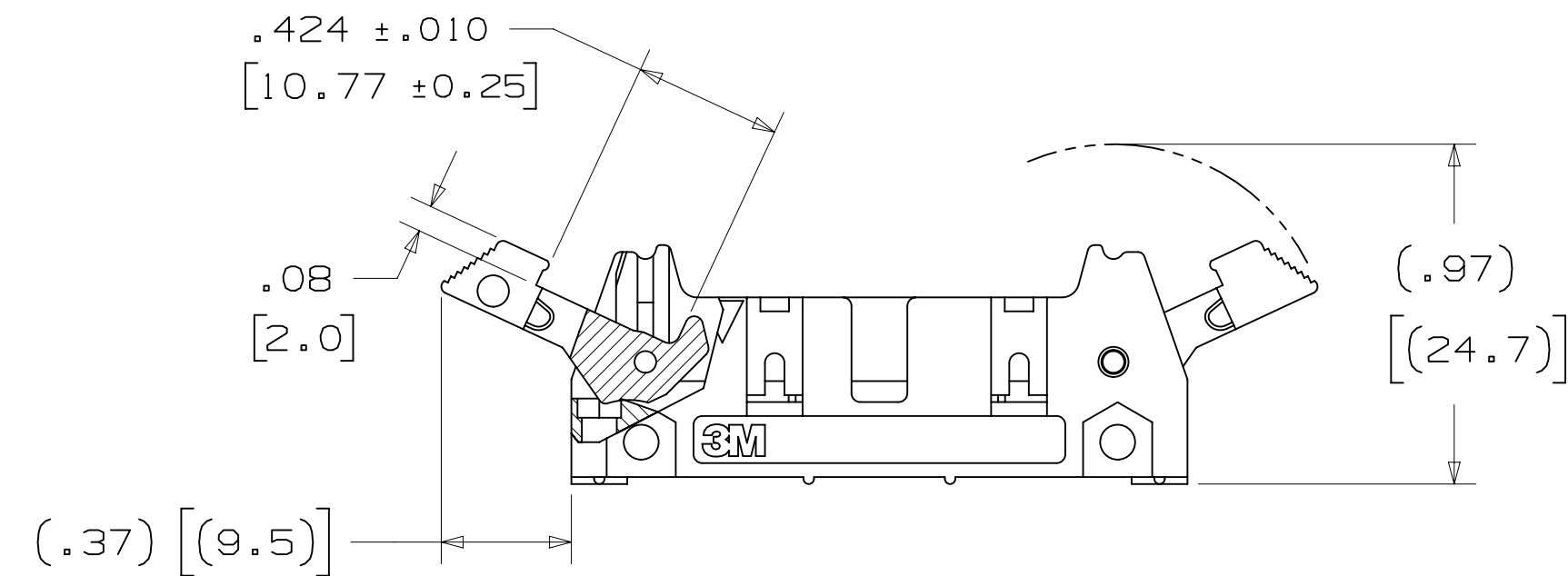


3M™ FOUR-WALL HEADER, 3000 SERIES

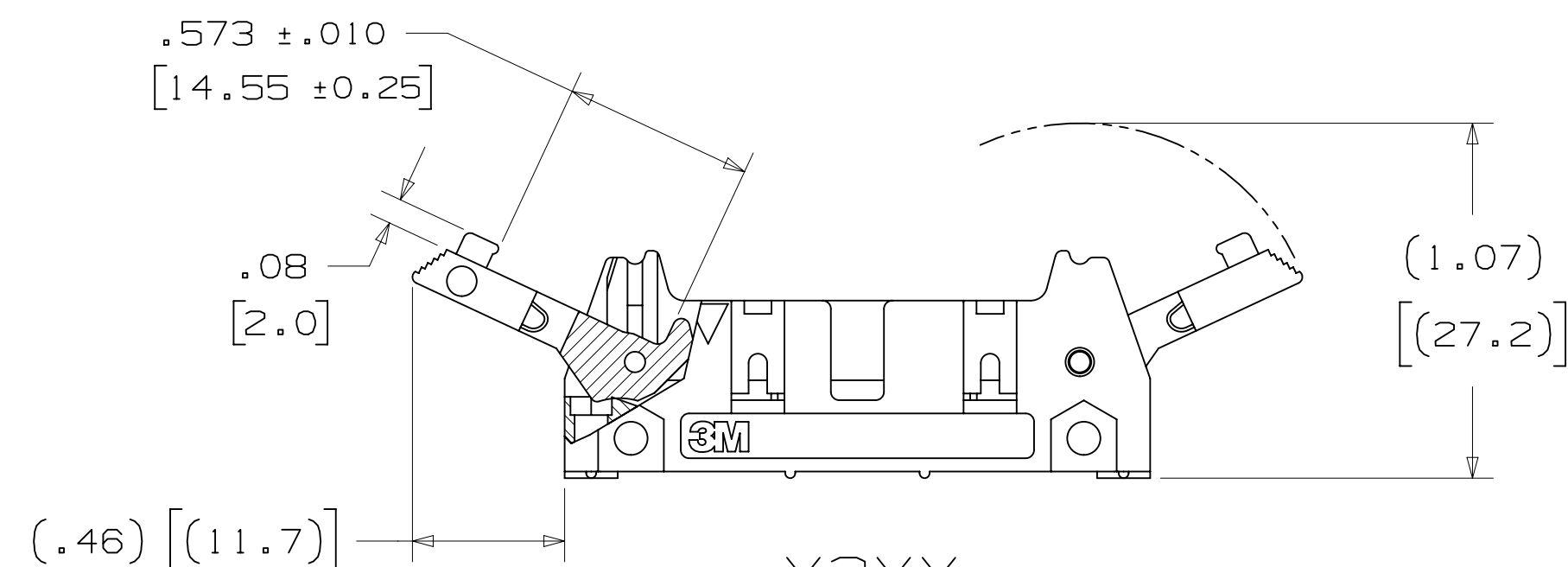
.100" X .100" LATCH/EJECTOR, STRAIGHT AND RIGHT ANGLE



-X0XX
HEADER WITHOUT LATCH/EJECTOR



-X2XX
HEADER WITH SHORT LATCH/EJECTOR
FOR 3M SOCKETS WITHOUT STRAIN RELIEF



-X3XX
HEADER WITH LONG LATCH/EJECTOR
FOR 3M SOCKETS WITH STRAIN RELIEF

- * MILITARY (WITH 3M'S N3518 POLARIZING KEY) AND CENTERBUMP POLARIZATION.
- * OPTIONAL EJECTOR LATCHES.
- * MOUNTING HOLES FOR SECURING HEADER TO BOARD.
- * OPTIONAL POLARIZING POSTS AVAILABLE.
- * HIGH TEMPERATURE INSULATOR SUITABLE FOR "NO LEAD" SOLDERING OPERATIONS.
- * SUITABLE FOR REFLOW SOLDERING USING "PASTE IN HOLE" TECHNIQUES.
- * SOLDER TAIL OPTION.

2 PHYSICAL :

INSULATOR: GLASS FILLED POLYESTER (PCT)
 MATERIAL: UL94V-0
 FLAMMABILITY: UL94V-0
 COLOR: BLACK
 CONTACT: COPPER ALLOY
 PLATING: 100μ" [2.54μm] NICKEL-OVERALL
 UNDER PLATING: 30μ" [0.76μm] AVG. GOLD
 WIPING AREA: TIN LEAD OR MATTE TIN (SEE ORDERING INFORMATION)
 MARKINGS: 3M LOGO, PART IDENTIFICATION NUMBER AND ORIENTATION TRIANGLE

2 ELECTRICAL :

CURRENT RATING: 5.00A, 1 CONTACT POWERED
 3.00A, 6 CONTACTS POWERED
 1.75A, ALL CONTACTS POWERED
 RATING CONDITIONS: EIA-364-070 METHOD 2, 30°C MAXIMUM TEMPERATURE RISE, 20% DERATED. REFERENCE APPROPRIATE 3M PRODUCT SPECIFICATION FOR DETAILED CURRENT DERATING CURVES.
 INSULATION RESISTANCE: >1 X 10⁹Ω AT 500 V_{DC}
 WITHSTANDING VOLTAGE: 1,000V_{RMS} AT SEA LEVEL

2 ENVIRONMENTAL :

TEMPERATURE RATING: -55°C TO 105°C
 PROCESS RATING: 260°C, PER J-STD-020C, SINGLE PASS
 MOISTURE SENSITIVITY LEVEL: 1 (PER J-STD-020C)

1. REGULATORY INFORMATION: ROHS COMPLIANT. SEE THE REGULATORY INFORMATION APPENDIX (RIA) IN THE "ROHS COMPLIANCE" SECTION OF WWW.3MCONNECTORS.COM FOR COMPLIANCE INFORMATION.
2. IN THE EVENT OF CONFLICT BETWEEN THIS DATA AND THAT CONTAINED IN THE PRODUCT SPECIFICATION, THE PRODUCT SPECIFICATION TAKES PRECEDENT.
3. NOTCHES A & C WILL ACCOMMODATE 3M POLARIZING KEY: N3518.
4. MOUNTING HARDWARE: FROM SOLDER SIDE OF PC BOARD USE #4-24 THREAD CUTTING SCREW (3M PART #3341-5) WITH Ø.116 [2.95] MOUNTING HOLE. FOR RIGHT ANGLE VERSION ONLY: #2-56 BOLT AND NUT (3M PART #3341-6) WITH Ø.106 [2.69] MOUNTING HOLE MAY BE USED.
5. THE RECOMMENDED PCB HOLE SIZE FOR THE KINKED TAIL POSITIONS ON THE .112 SOLDER TAIL CONNECTOR IS Ø.035±.002. (SEE K2 VERSION).

ORDERING INFORMATION

X3XXX - XXXXXX

N = HIGH TEMP BLACK (PCT)/(RB PLATING REQ'D)
 BLANK = (UB PLATING)

3M PART NUMBER:
 (SEE TABLE 1)

PIN CONFIGURATION:
 5 = RIGHT ANGLE SOLDER TAILS
 6 = STRAIGHT SOLDER TAILS

PLATING:

RB = 30μ" [0.76μm] GOLD AND 200μ" [5.08μm] MATTE TIN (APP. E1 & C1 APPLY)
 UB = 30μ" [0.76μm] GOLD AND 200μ" [5.08μm] TIN LEAD (APP. E3 & C2 APPLY)

TAIL:

O2 = FOR .062 [1.57] THICK BOARD
 O3 = FOR .094 TO .125 [2.39 TO 3.18] THICK BOARD
 K2 = KINKED FOR .062 [1.57] THICK BOARD

LATCH/EJECTOR SYSTEM:

0 = NO LATCH/EJECTOR INSTALLED
 2 = SHORT ROLL PIN LATCH/EJECTORS
 3 = LONG ROLL PIN LATCH/EJECTORS

DIMENSIONS: INCHES [MM]
 [MM] IS REF. ONLY

DESIGN REFERENCE	NEXT ASSEMBLY	REV	ECO	ISSUE DATE AND DESCRIPTION	DRFT	CHKD																
		S	60056	MAR 06, 2015 REVISE ORDERING NUMBER	JNC	RS																
		R	56068	JUL 25, 2014 REVISED AND REDRAWN	JNC	RS																
DRW CODES		CHKD	CASTIGLIONE	DATE JUL 25, 2014	APPR R. SCHERER	DATE SEP 05, 2014																
DIVISION	Interconnect Solutions	DIVISION CODE	EMSD	© 3M COPYR [GHT] 2015 This document and the information it contains are 3M property and may not be reproduced or further distributed without 3M permission, or used or disclosed other than for 3M authorized purposes. All rights reserved.																		
DO NOT SCALE DRAWING	SCALE 1	TOLERANCES EXCEPT AS NOTED	<table border="0"> <tr> <td colspan="2">INCHES</td> </tr> <tr> <td>.0</td> <td>±.01</td> </tr> <tr> <td>.000</td> <td>±.005</td> </tr> <tr> <td>.0000</td> <td>±</td> </tr> <tr> <td colspan="2">MILLIMETERS</td> </tr> <tr> <td>0</td> <td>±.3</td> </tr> <tr> <td>.0</td> <td>±.13</td> </tr> <tr> <td>.000</td> <td>±</td> </tr> </table>				INCHES		.0	±.01	.000	±.005	.0000	±	MILLIMETERS		0	±.3	.0	±.13	.000	±
INCHES																						
.0	±.01																					
.000	±.005																					
.0000	±																					
MILLIMETERS																						
0	±.3																					
.0	±.13																					
.000	±																					
THIRD ANGLE PROJECTION	INTERPRET PER ASME Y14.5 - 2009	MAX SURFACE ROUGHNESS	<table border="0"> <tr> <td>DTX SURFACES</td> <td>ANGLES</td> </tr> <tr> <td><input checked="" type="checkbox"/> MARKED ONLY</td> <td></td> </tr> </table>				DTX SURFACES	ANGLES	<input checked="" type="checkbox"/> MARKED ONLY													
DTX SURFACES	ANGLES																					
<input checked="" type="checkbox"/> MARKED ONLY																						
TITLE		CAGE NUMBER	SIZE	DRAWING NO.	REV.																	
HEADER, 4-WALL, .100 X .100 LATCH/EJECTOR, STRAIGHT & RA		D		78-5100-0772-3	S																	
MODEL		3000 SERIES	DET	ISTS	YES	NO																
					SHT	1 OF 4																

3M ELECTRONIC MATERIALS SOLUTIONS DIVISION
 INTERCONNECT SOLUTIONS
<http://www.3mconnectors.com>

3M IS A TRADEMARK OF 3M COMPANY.
 FOR TECHNICAL, SALES OR ORDERING
 INFORMATION CALL 800-225-5373

CAUS
 UL FILE NO: E68080

78-5100-0772-3
 DRAWING NUMBER
 S
 REVISION
 A
 3/6/2015 12:54 PM UTC-06:00
 Imaged: S.1

