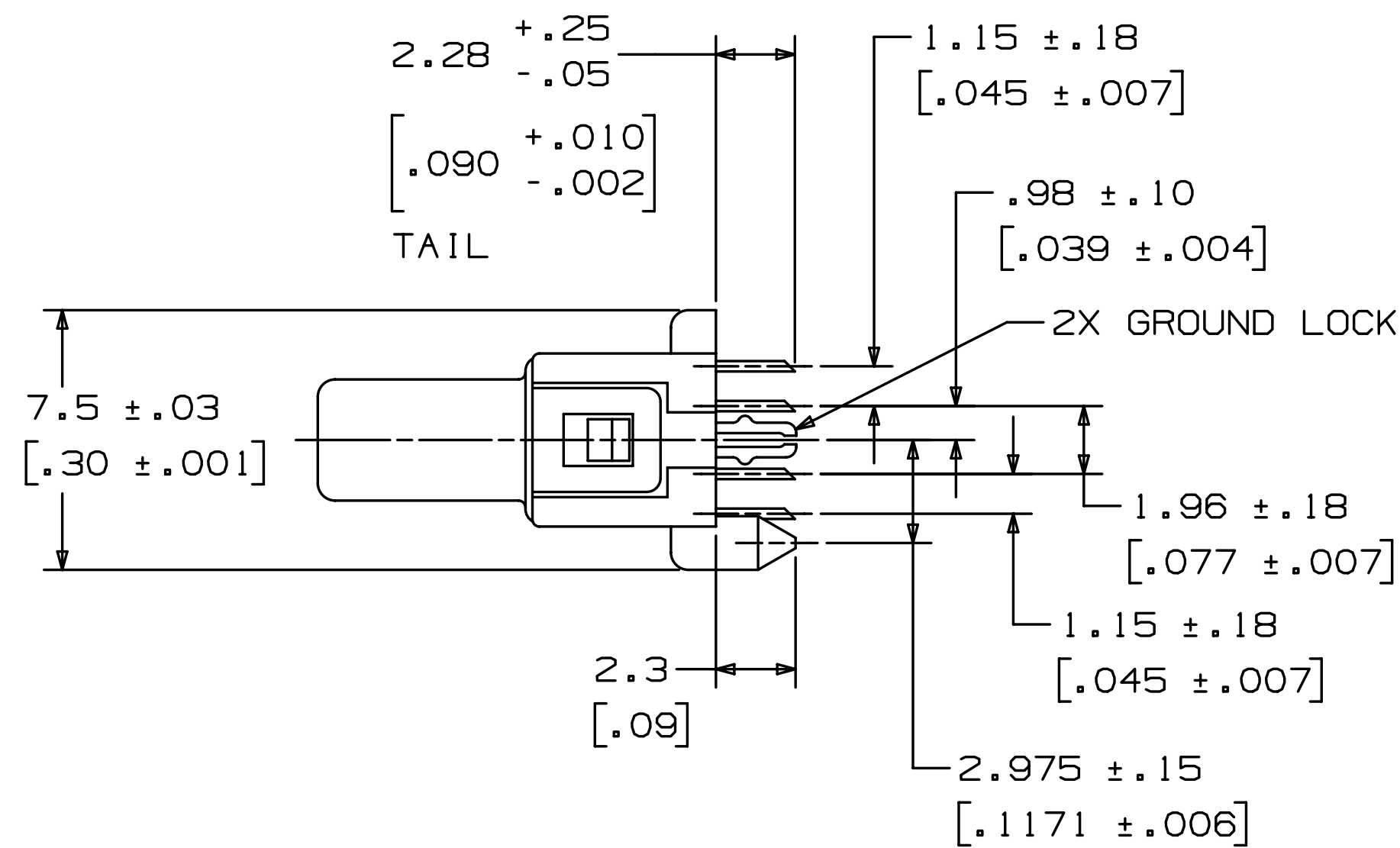
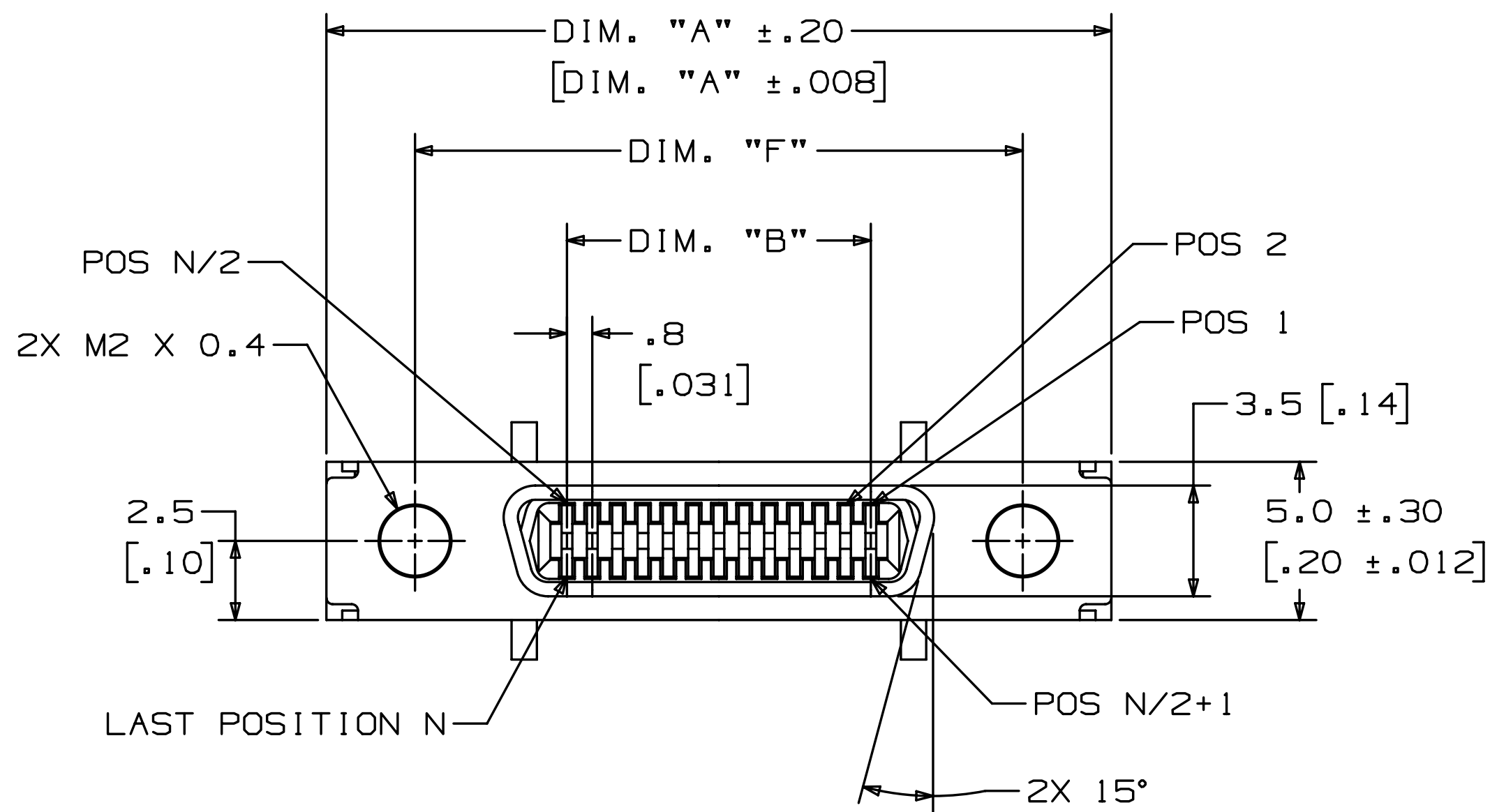
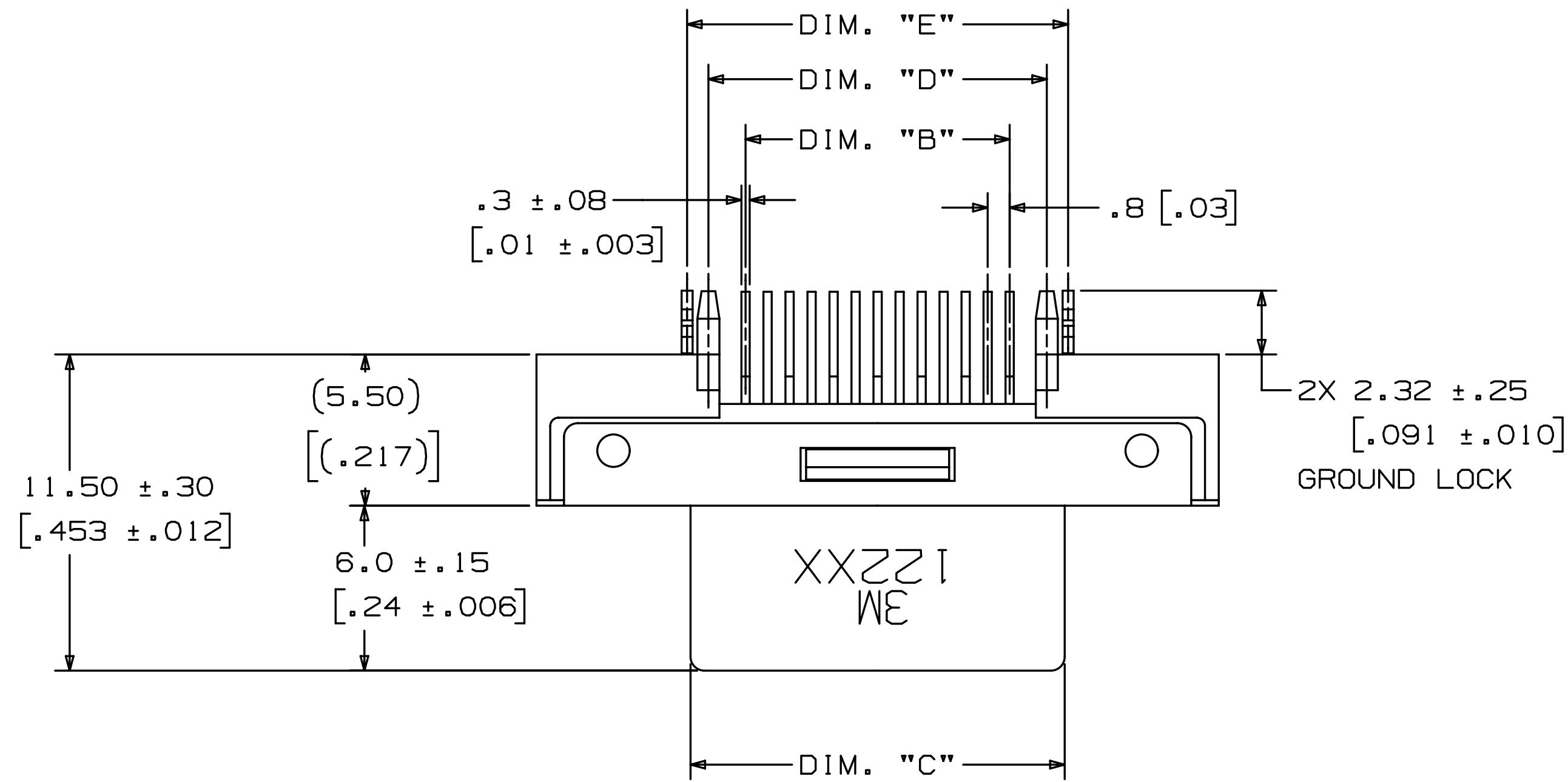


3M™ Shrunk Delta Ribbon (SDR) Connectors, 122 Series  
 .80 mm Boardmount, Through-Hole, Vertical Receptacle, Shielded



- NOTES
- MATERIAL:  
 INSULATION: HIGH TEMPERATURE NYLON  
 COLOR: BLACK, UL94V-0  
  
 CONTACT: COPPER ALLOY  
 PLATING:  
 UNDERPLATE: 2µm [80µ"] NICKEL  
 WIPING AREA: .76µm [30µ"] GOLD  
 TERMINATION AREA: GOLD FLASH OVER NICKEL  
  
 SHROUD & LATCH HOOK: STEEL  
 PLATING: NICKEL  
  
 GROUND LOCK: COPPER ALLOY  
 PLATING: SEMI-BRIGHT TIN OVER NICKEL  
  
 LOCK SCREW: STEEL  
 PLATING: NICKEL  
  
 ALIGNMENT PLATE: PPS  
 COLOR: BLACK, UL94V-0
  - MARKING: 3M LOGO AND PART NUMBER.
  - ELECTRICAL:  
 CURRENT RATING: 0.5 A  
 INSULATION RESISTANCE: 500 MΩ MIN AT 250 V<sub>DC</sub>  
 WITHSTANDING VOLTAGE: 350 V<sub>AC</sub> FOR 1 MINUTE
  - ENVIRONMENTAL:  
 TEMPERATURE RATING:  
 -40° C TO +70° C  
 PROCESS RATING:  
 REFLOW: PREHEAT 150° TO 180° C,  
 90 TO 120 SECONDS  
 SOLDERING: OVER 220° C,  
 30 TO 60 SECONDS, PEAK TEMPERATURE  
 IS 250° C MAX.  
 SOLDER IRON: 380° C MAX, 3 SECONDS MAX.  
 WAVE SOLDERING: 260° C, 10 SECONDS, 2 TIMES  
 OR 263° C, 5 SECONDS, 2 TIMES.  
 \* PRE-HEAT CONDITION:  
 TEMP OF COMPONENTS: 100° C MAX.  
 DURATION: 60 SECONDS MAX.
  - IN THE EVENT OF CONFLICT BETWEEN THIS DATA AND THAT CONTAINED IN THE PRODUCT SPECIFICATION, THE PRODUCT SPECIFICATION TAKES PRECEDENT.
  - FOR VARIOUS PANEL THICKNESS JACKSOCKETS REFER TO TS-0142.
  - SEE REGULATORY INFORMATION APPENDIX (RIA) IN THE "ROHS COMPLIANCE" SECTION OF WWW.3MCONNECTOR.COM FOR COMPLIANCE INFORMATION.

DIMENSIONS ARE IN MM.  
 SECONDARY ARE IN [ INCHES ]  
 AND ARE FOR REFERENCE ONLY

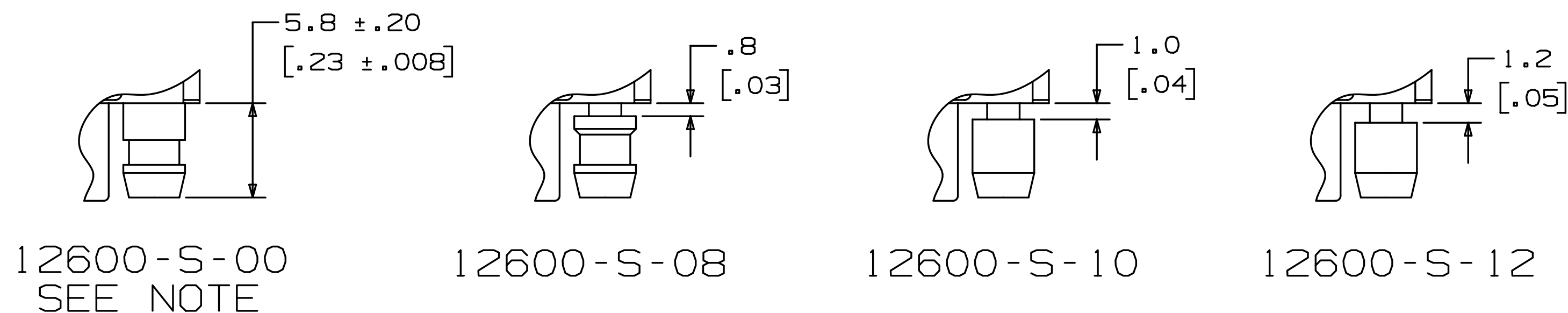
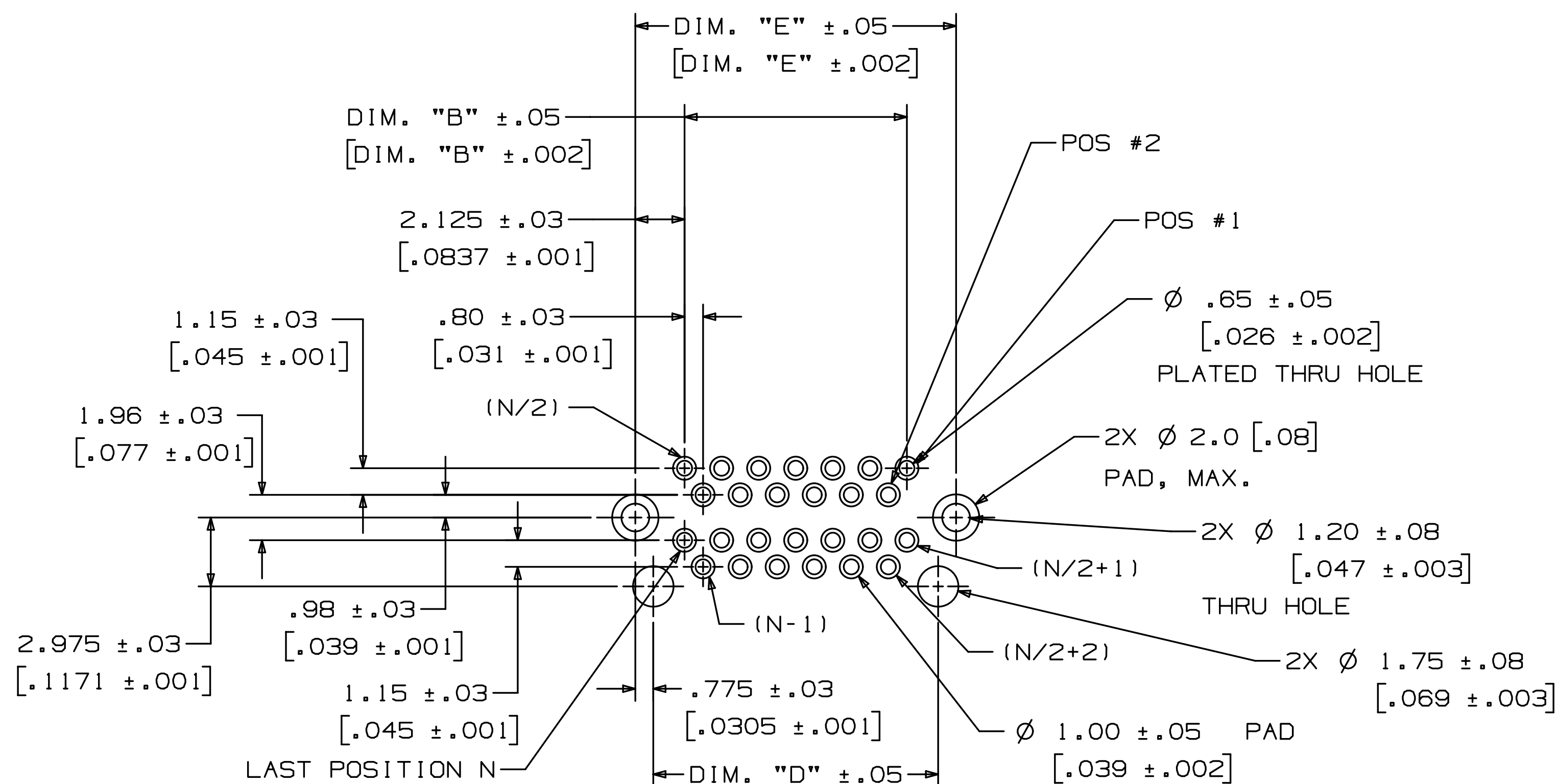
POSITION	DIM. "A"	DIM. "B"	DIM. "C"	DIM. "D"	DIM. "E"	DIM. "F"
14	20.0 [ .79 ]	4.80 [ .189 ]	8.8 [ .35 ]	7.50 [ .295 ]	9.05 [ .356 ]	14.4 [ .57 ]
26	24.8 [ .98 ]	9.60 [ .378 ]	13.6 [ .54 ]	12.30 [ .484 ]	13.85 [ .545 ]	19.2 [ .76 ]

CONNECTOR DIMENSION TABLE  
 TABLE 1

DESIGN REFERENCE	NEXT ASSEMBLY	REV	ECO	ISSUE DATE AND DESCRIPTION	DRFT	CHKD
				JAN 10, 2011 REVISED AND REDRAWN	JNC	SC
DISTRIBUTION CODE		APP'D	DATE	DATE		
		CASTIGLIONE	JAN 10, 2011			
		CHKD	DATE	DATE		
		D. CRONCH		MAR 29, 2011		
DIVISION	DIVISION CODE	© 3M COPYRIGHT 2011				
Interconnect Solutions	ISD	This document and the information it contains are 3M property and may not be reproduced or further distributed without 3M permission, or used or disclosed other than for 3M authorized purposes. All rights reserved.				
DO NOT SCALE DRAWING	SCALE 1	TOLERANCES EXCEPT AS NOTED	3M Center St. Paul, MN 55144			
		INCHES	TITLE			
		.0 ± .006	3M SHRUNK DELTA RIBBON (SDR) CONN.			
		.000 ± .006	122XX-11X0-00FR			
		.0000 ± .005	CAGE SIZE DRAWING NO.			
THIRD ANGLE PROJECTION		MILLIMETERS	NUMBER			
INTERPRET PER ASME Y14.5 - 1994		0 ± .15	D 78-5100-2126-0			
MAX SURFACE ROUGHNESS		.00 ± .15	REV.			
UNFINISHED SURFACES		.000 ± .13	D			
MARKED ONLY		ANGLES	MODEL			
			122XX-1150-00			
			SHT 1 OF 2			



3M™ Shrunk Delta Ribbon (SDR) Connectors, 122 Series  
 .80 mm Boardmount, Through-Hole, Vertical Receptacle, Shielded

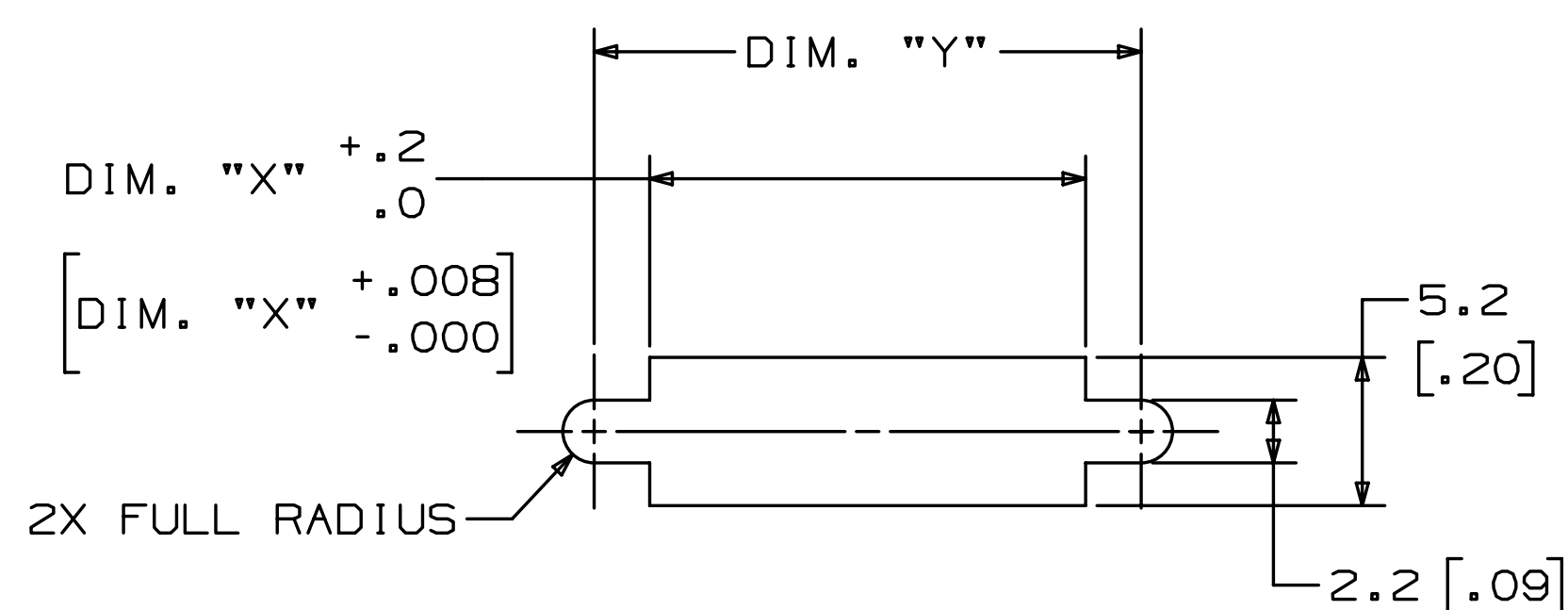


JACKSOCKET  
 M2 X 0.4

NOTE: JACKSOCKET 12600-S-00 COMES FACTORY INSTALLED IN CONNECTOR 122XX-1150-00FR. IT IS FIXED WITH THREAD LOCKING ADHESIVE AND CANNOT BE REMOVED.

PANEL THICKNESS	CONNECTOR	JACKSOCKET
NO PANEL	122XX-1150-00FR	FACTORY INSTALLED (SEE NOTE)
0.8±0.1MM	122XX-1100-00FR	12600-S-08 (ORDER SEPARATELY)
1.0±0.1MM	122XX-1100-00FR	12600-S-10 (ORDER SEPARATELY)
1.2±0.1MM	122XX-1100-00FR	12600-S-12 (ORDER SEPARATELY)

SELECTION TABLE FOR PANEL MOUNTING  
 TABLE 3



POSITION	DIM. "X"	DIM. "Y"
14	10.5 [.41]	14.4 [.57]
26	15.3 [.60]	19.2 [.76]

RECOMMENDED PANEL CUT-OUT DIMENSION TABLE  
 TABLE 2

ORDERING INFORMATION:  
 122XX-11X0-00FR

CONTACT QUANTITY (SEE TABLE 1)

SCREW LOCK OPTION: (SEE TABLE 3)  
 0-NONE (RIA E1 & C1 APPLY)  
 5-WITH 12600-S-00 NON-REMOVABLE SCREW LOCK (RIA E5 & C3 APPLY)

DESIGN REFERENCE	NEXT ASSEMBLY	REV	ECO	ISSUE DATE AND DESCRIPTION	DRFT	CHKD
				JAN 10, 2011	JNC	SC
DISTRIBUTION CODE		APP'D	DATE	DATE		
		CASTIGLIONE	JAN 10, 2011			
		CHKD	DATE	DATE		
				MAR 29, 2011		
DIVISION	DIVISION CODE	© 3M COPYRIGHT 2011				
Interconnect Solutions	ISD	This document and the information it contains are 3M property and may not be reproduced or further distributed without 3M permission, or used or disclosed other than for 3M authorized purposes. All rights reserved.				
DO NOT SCALE DRAWING	SCALE 4/1	TOLERANCES EXCEPT AS NOTED	3M Center St. Paul, MN 55144			
		INCHES	TITLE			
		.00 ± .006	3M SHRUNK DELTA RIBBON (SDR) CONN.			
		.000 ± .006	122XX-11X0-00FR			
		.0000 ± .005	CAGE NUMBER			
THIRD ANGLE PROJECTION		MILLIMETERS	D 78-5100-2126-0			
		0 ± .15	DRAWING NO.			
INTERPRET PER ASME Y14.5 - 1994		.00 ± .15	D 78-5100-2126-0			
		.000 ± .13	REV.			
MAX SURFACE ROUGHNESS		ANGL	D			
MARKED SURFACES			MODEL			
MARKED ONLY			122XX-1150-00			
			DET			
			LISTS YES NO SHT 2 OF 2			

78-5100-2126-0