

3M™ Solder Cup D Sub Socket, 8000 Series

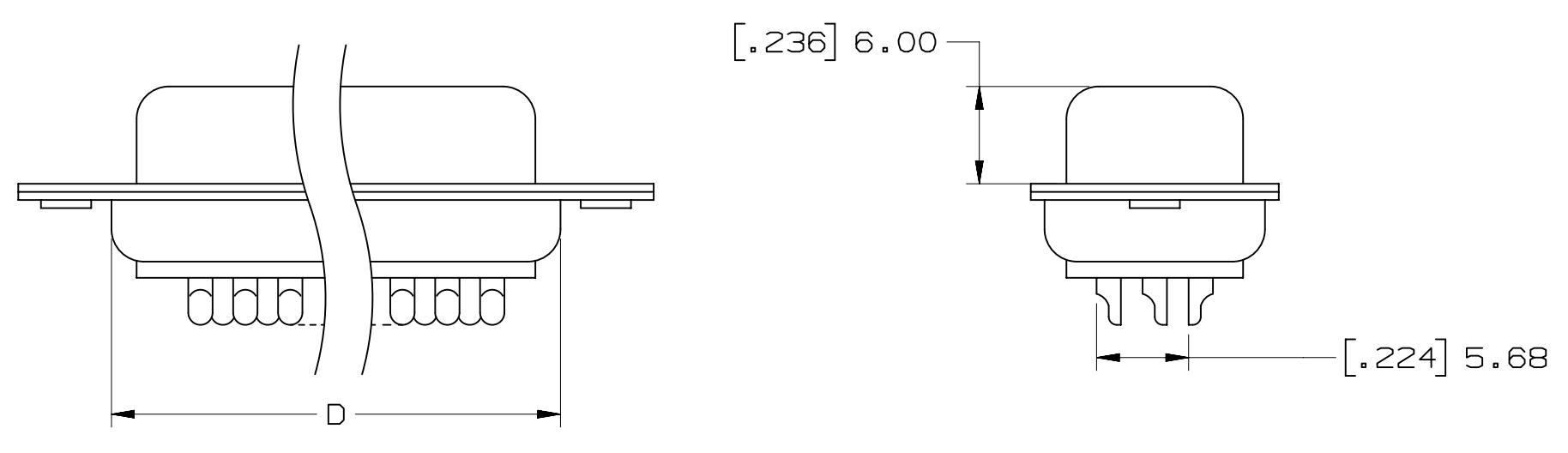
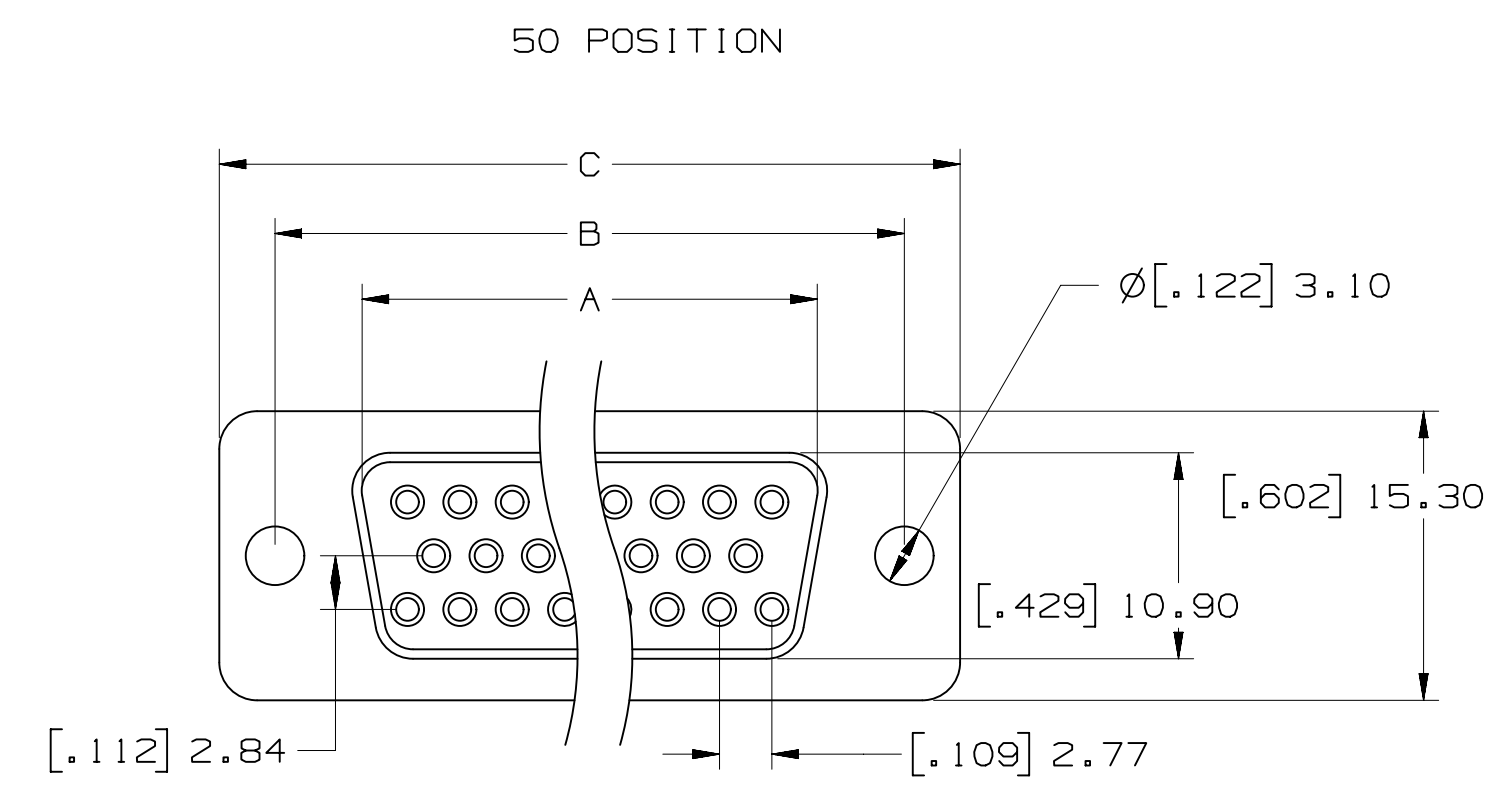
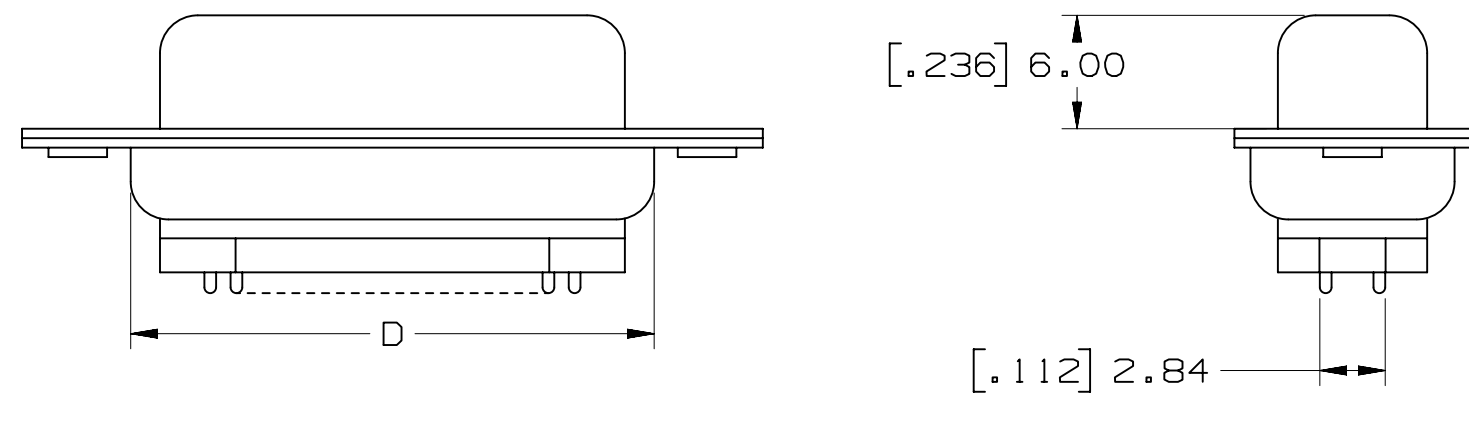
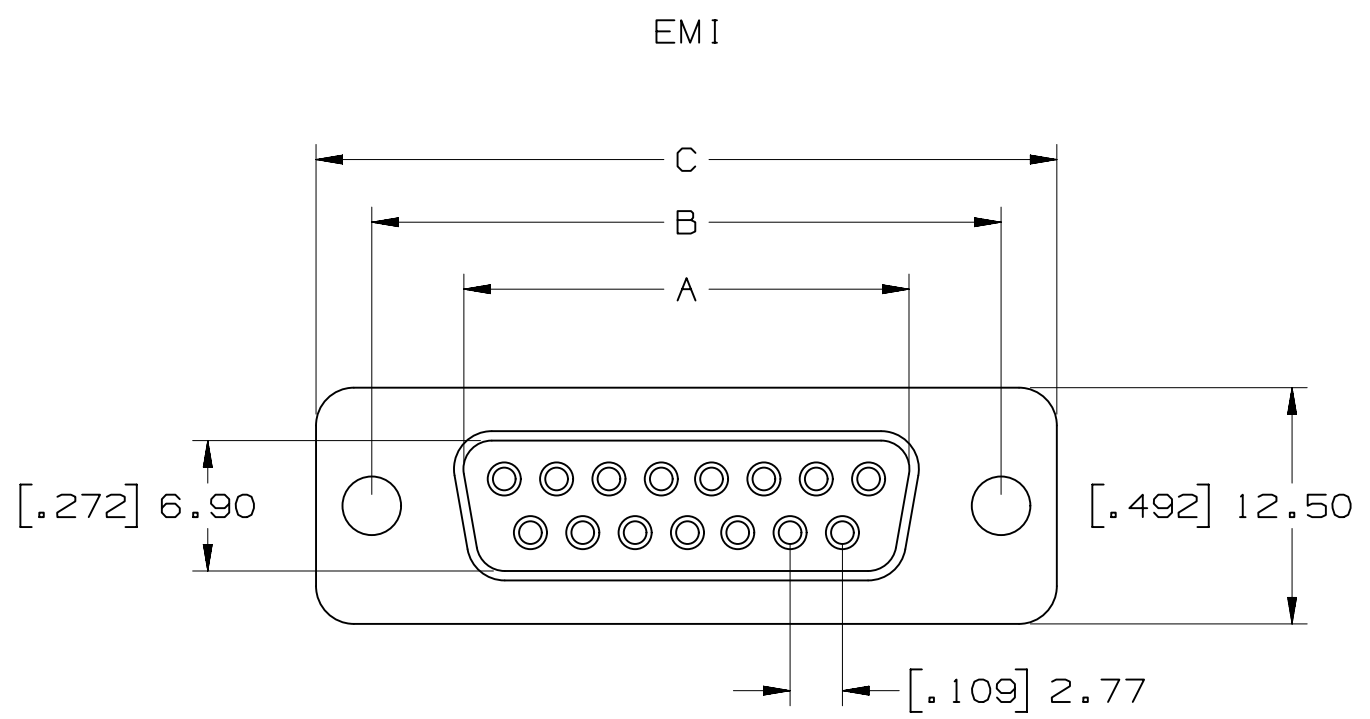
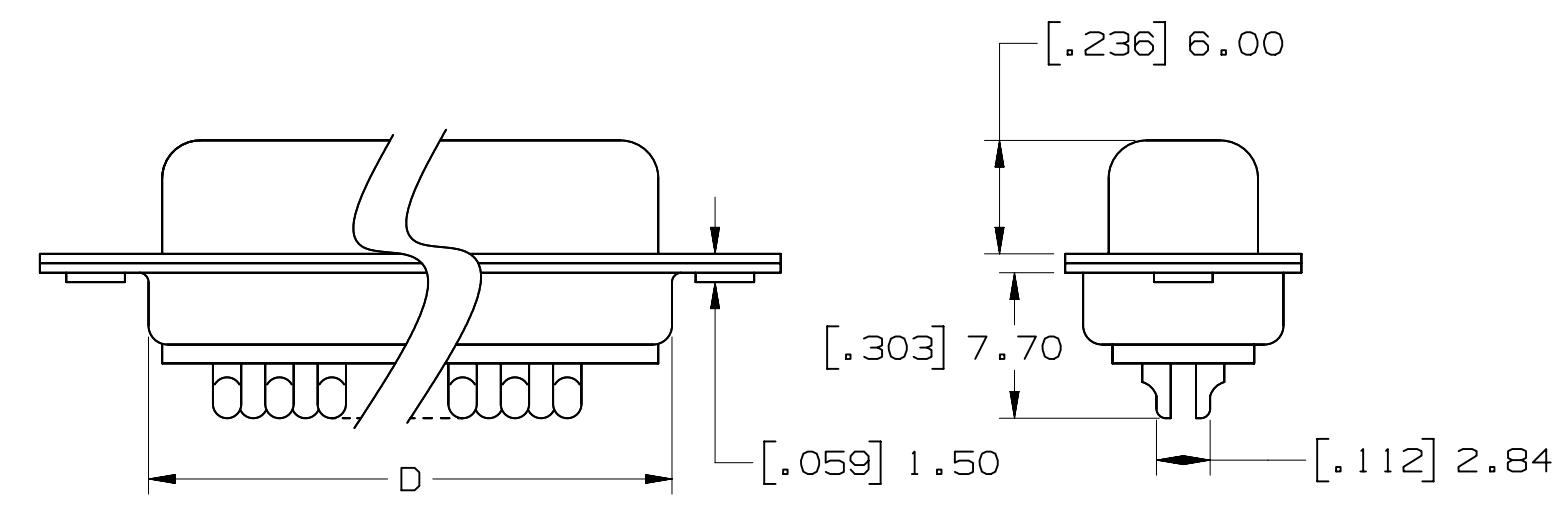
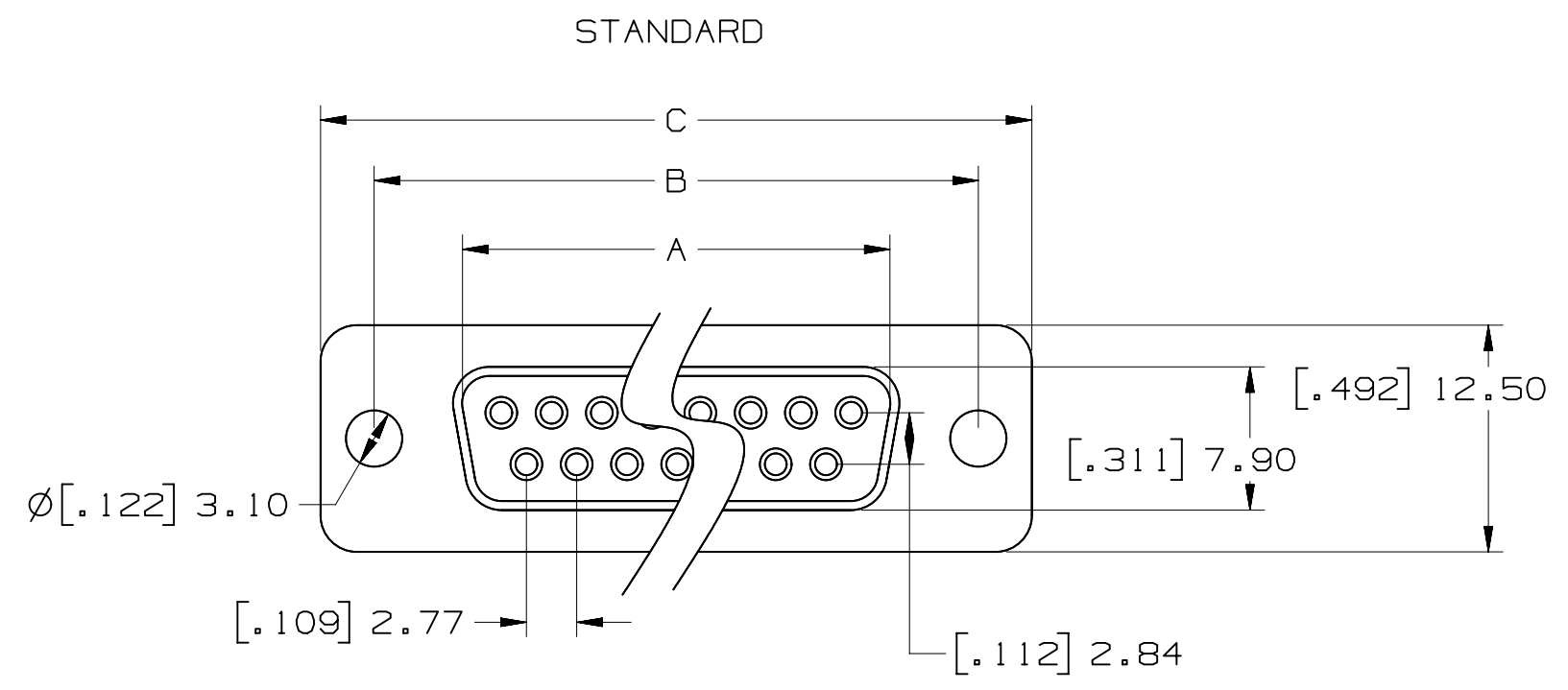
NOTES

POSITION	A	B	C	D
9	[.642] 16.30	[.984] 25.00	[1.213] 30.80	[.756] 19.20
15	[.969] 24.60	[1.311] 33.30	[1.543] 39.20	[1.091] 27.70
25	[1.508] 38.30	[2.248] 57.10	[2.091] 53.10	[1.618] 41.10
37	[2.157] 54.80	[2.500] 63.50	[2.732] 69.40	[2.256] 57.30
50*	[2.055] 52.20	[2.402] 61.00	[2.638] 67.00	[2.169] 55.10

*50 POSITION AVAILABLE IN STANDARD ONLY

PERFORMANCE	
OPERATION VOLTAGE:	250V MAX.
CURRENT:	3A MAX.
INSULATION RESISTANCE:	3000 MOhm MIN @ 500VDC
WITHSTANDING VOLTAGE:	1000 VAC / MIN.
TEMPERATURE RATING:	-55°C to 105°C
CONTACT RESISTANCE:	15 mOhms MAX.

- 1 MATERIAL:
THERMAL PLASTIC UL94V-0
CONTACTS:
COPPER ALLOY
SHELL:
G3141 SPCC OR EQUIVALENT
- 2 PLATING:
50μ" NICKEL UNDERPLATE
1μ" AU WIPING AREA OR
30μ" AU WIPING AREA
100-200μ" TIN (BRIGHT TIN) SOLDER TAIL
- 3 MATES WITH:
BPXX-X00X
- 4 SEE THE REGULATORY INFORMATION
APPENDIX (RIA) IN "RoHS"
COMPLIANCE SECTION OF
WWW.3MCONNECTOR.COM FOR
COMPLIANCE INFORMATION
(RIA E1 & C1 APPLY)



8RXX - X00X

NUMBER OF CONTACTS (SEE TABLE)
EMI
N - STANDARD
E - EMI

PLATING
1 - AU FLASH
2 - 30μ" AU

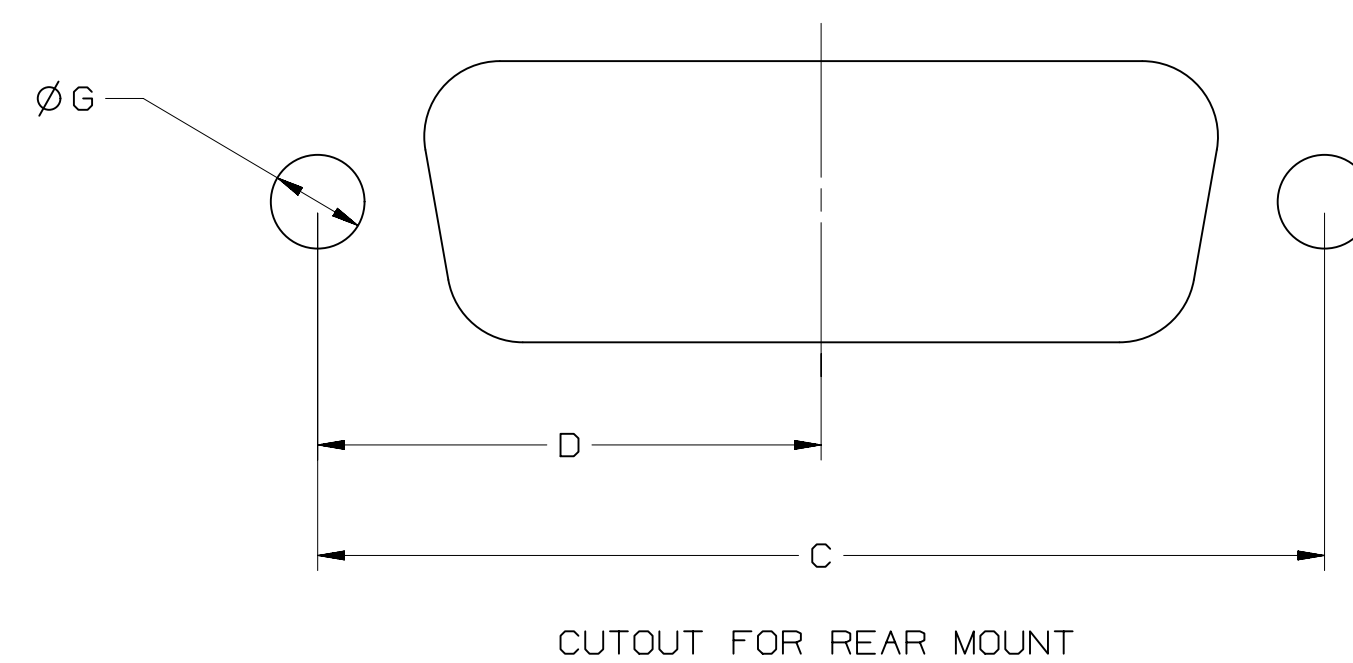
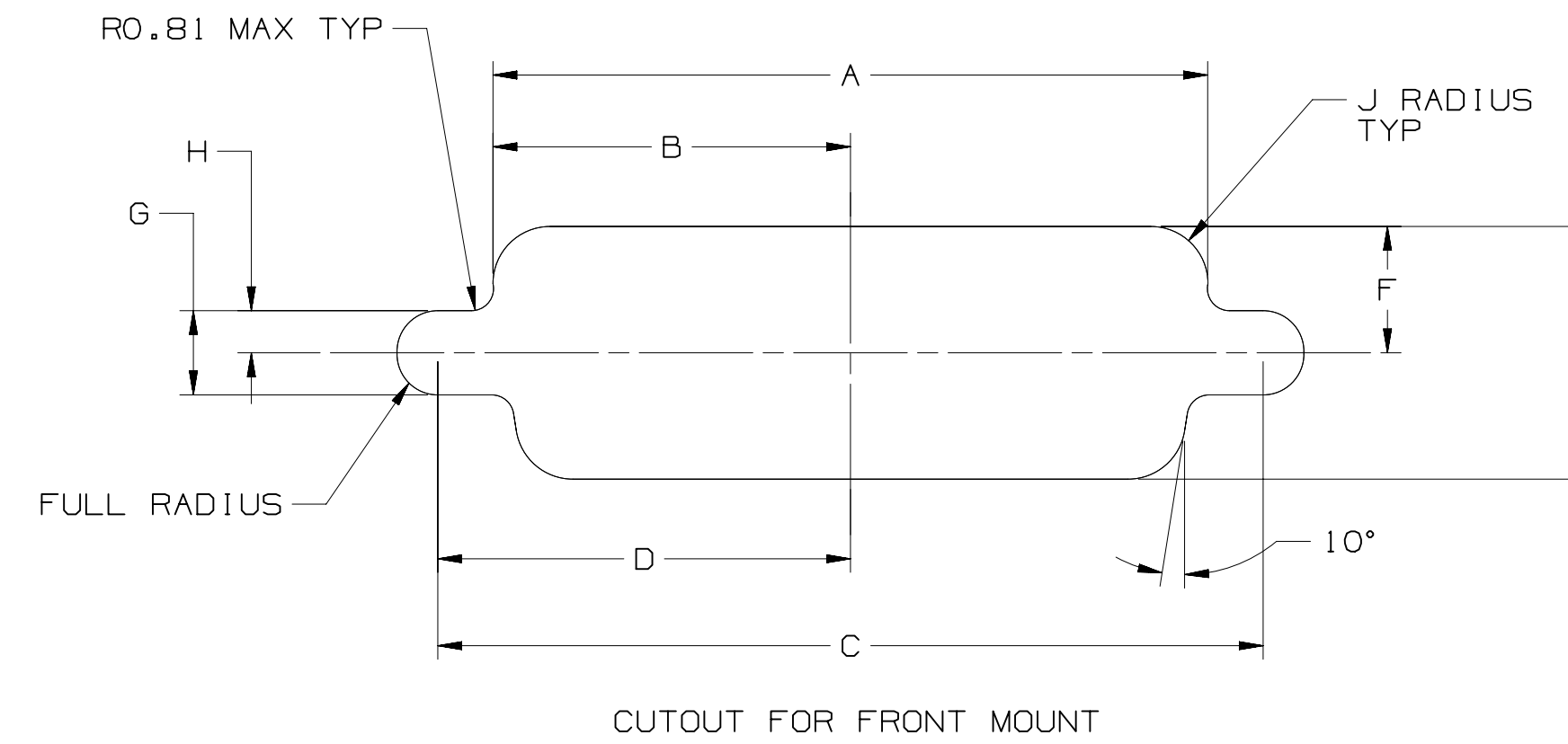
Unless otherwise noted, references to industry specifications are intended to indicate substantial compliance to the material elements of the specification. Such references should not be construed as a guarantee of compliance to all requirements in a given specification.

3M ELECTRONIC SOLUTIONS DIVISION
INTERCONNECT SOLUTIONS
<http://www.3mconnectors.com>
3M IS A TRADEMARK OF 3M COMPANY.
FOR TECHNICAL, SALES OR ORDERING
INFORMATION, CALL 800-225-5373

DESIGN REFERENCE	NEXT ASSEMBLY	REV	ECO	ISSUE DATE AND DESCRIPTION	DRFT	CHKD
		SJS		MAY 18, 2011		
		ARM		MAY 18, 2011		
DIVISION	DIVISION CODE	© 3M COPYR [GHT] 2013 This document and the information it contains are 3M property and may not be reproduced or further distributed without 3M permission, or used or disclosed other than for 3M authorized purposes. All rights reserved.				
DO NOT SCALE DRAWING	SCALE 1/1	TOLERANCES EXCEPT AS NOTED INCHES .00 .000 ± .0000 ±				
THIRD ANGLE PROJECTION	INTERPRET PER ASME Y14.5 - 1994	MILLIMETERS 0 ±.1 .0 ±.05 .000 ±.005				
MAX SURFACE ROUGHNESS	ALL SURFACES MARKED ONLY	ANGLES ±1°				
CAGE NUMBER	SIZE	DRAWING NO.	REV.			
125	D	78-5100-2402-5	C			
MODEL	BR	DET [] YES [X] NO [] SHT 1 OF 2				

78-5100-2402-5
DRAWING NUMBER

POSITION	MOUNTING METHOD	A	B	C	D	E	F	G	H	J
9	FRONT	.874(22.2)	.437(11.1)	.984(25.0)	.492(12.5)	.513(13.0)	.257(6.5)	.120(3.1)	.060(1.5)	.083(2.1)
	REAR	.806(20.5)	.403(10.2)	.984(25.0)	.492(12.5)	.449(11.4)	.225(5.7)	.120(3.1)	.060(1.5)	.132(3.4)
15	FRONT	1.202(30.5)	.601(15.3)	1.312(33.3)	.656(16.7)	.513(13.0)	.257(6.5)	.120(3.1)	.060(1.5)	.083(2.1)
	REAR	1.134(28.8)	.567(14.4)	1.312(33.3)	.656(16.7)	.449(11.4)	.225(5.7)	.120(3.1)	.060(1.5)	.132(3.4)
25	FRONT	1.743(44.3)	.872(22.2)	1.852(47.0)	.926(23.5)	.513(13.0)	.257(6.5)	.120(3.1)	.060(1.5)	.083(2.1)
	REAR	1.674(42.5)	.837(21.3)	1.852(47.0)	.926(23.5)	.449(11.4)	.225(5.7)	.120(3.1)	.060(1.5)	.132(3.4)
37	FRONT	2.391(60.7)	1.196(30.4)	2.500(63.5)	1.250(31.8)	.513(13.0)	.257(6.5)	.120(3.1)	.060(1.5)	.083(2.1)
	REAR	2.326(59.1)	1.163(29.5)	2.500(63.5)	1.250(31.8)	.449(11.4)	.225(5.7)	.120(3.1)	.060(1.5)	.132(3.4)
50	FRONT	2.297(58.3)	1.149(29.2)	2.406(61.1)	1.203(30.6)	.623(15.8)	.312(7.9)	.120(3.1)	.060(1.5)	.083(2.1)
	REAR	2.218(56.3)	1.109(28.2)	2.406(61.1)	1.203(30.6)	.555(14.1)	.278(7.1)	.120(3.1)	.060(1.5)	.132(3.4)



C	46292	MAR 28, 2013	SJS	ARM
		CORRECT SHELL MATL		
B	34516	AUG 29, 2011	SJS	ARM
		CHANGE MOHMS TO mOHMS, UPDATE ROHS		
A	34511	MAY 18, 2011	SJS	ARM
		MAY 18, 2011		

DESIGN REFERENCE	NEXT ASSEMBLY	REV	ECO	ISSUE DATE AND DESCRIPTION	DRFT	CHKD
		SJS		MAY 18, 2011		
		ARM		MAY 18, 2011		
DIVISION		DIVISION CODE				
DO NOT SCALE DRAWING		SCALE	TOLERANCES EXCEPT AS NOTED			
THIRD ANGLE PROJECTION		INCHES	MILLIMETERS			
INTERPRET PER ASME Y14.5 - 1994		0 ± .1	.0 ± .05			
MAX SURFACE ROUGHNESS		.00 ± .05	.000 ± .005			
125		ALL SURFACES	ANGLES ± 1°			
✓ MARKED ONLY						

3M Center St. Paul, MN 55144		© 3M COPYRIGHT 2013	
This document and the information it contains are 3M property and may not be reproduced or further distributed without 3M permission, or used or disclosed other than for 3M authorized purposes. All rights reserved.			
TITLE			
8RXX-X00X D-SUB SOLDER CUP SOCKET TS-2402			
CAGE NUMBER	SIZE	DRAWING NO.	REV.
D		78-5100-2402-5	C
MODEL	BR		DET
	SHT 2 OF 2		

78-5100-2402-5
DRAWING NUMBER