

# 3M™ Textool™ .100" (2.54 mm) DIP Sockets

ZIP DIP



- For DIPs with .100" (2.54 mm) lead spacing
- Pin counts for 14-64 leads
- Lever actuated zero insertion force mechanism
- Socket easily disassembles for repairability
- Socket contact point of .110" (2.79 mm) below top surface of socket

Date Modified: September 17, 2012

TS-0365-B  
Sheet 1 of 3

---

## Physical

### Insulation

Material: Glass Filled Polysulfone

Flammability: UL 94V-0

Color: Green

Marking: 3M Logo & Part Number Identifier

### Contact:

Material: Beryllium Copper

Plating: 30 μ" (0.76 μm) Gold over 50 μ" (1.3 μm) Nickel

---

## Electrical

Current Rating: 1 Amp

Insulation Resistance: > 1 ¥ 109 W at 500 Vdc

Withstanding Voltage: 1000 Vrms at Sea Level

---

## Environmental

Operating Temperature Rating: - 55 °C to +125°C

---

## Mechanical

When used as a test socket at room temperature 24°C the socket will last 20,000 actuations.

---

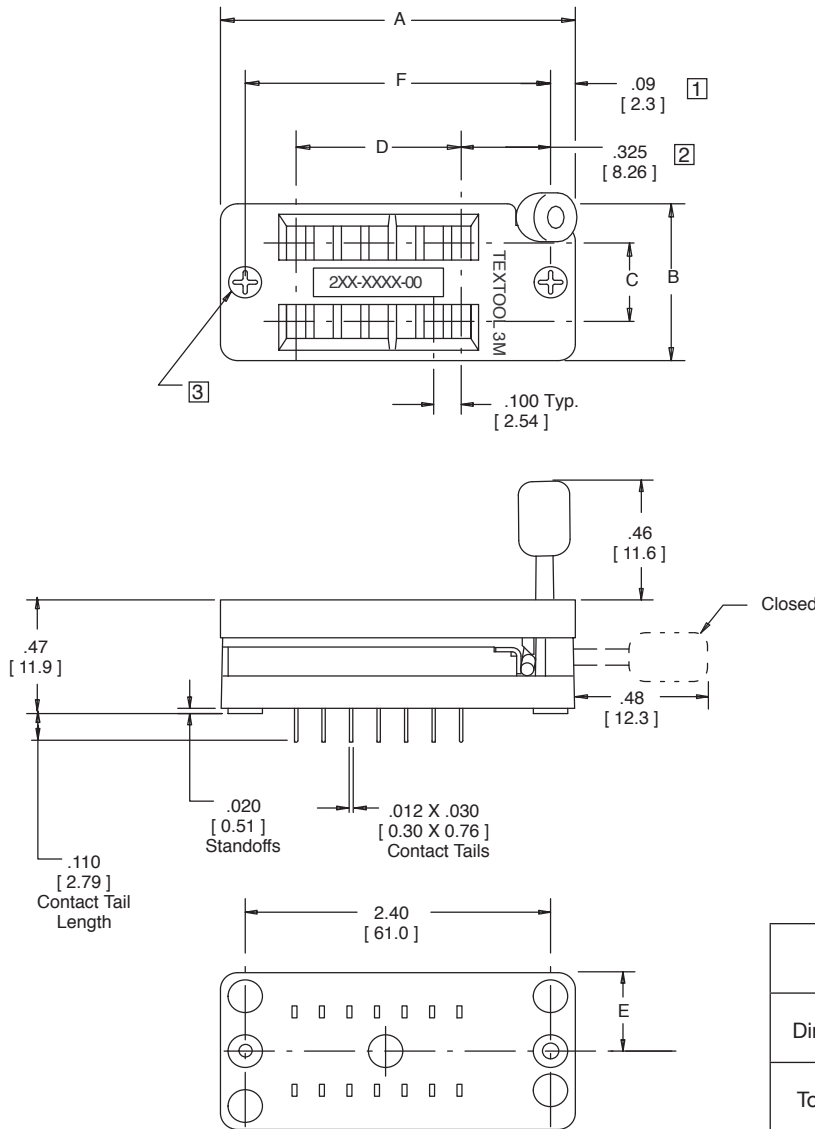
**3M**

Electronic Solutions Division  
Interconnect Solutions  
<http://www.3Mconnectors.com>

3M is a trademark of 3M Company.  
For technical, sales or ordering information call  
**800-225-5373**

# 3M™ Textool™ .100" (2.54 mm) DIP Sockets

ZIP DIP



	Tolerance $\frac{\text{inch}}{\text{mm}}$	
Dimension	$\frac{.00}{(.0)}$	$\frac{.000}{(.00)}$
Tolerance	$\frac{\pm .010}{(\pm .25)}$	$\frac{\pm .005}{(\pm .13)}$

**Notes:**

- 1 This dimension is .105 [ 2.67 ] for the 48 and 64 lead sockets.
- 2 This dimension is .40 [ 10.2 ] for the 48 and 64 lead sockets.
- 3 224-1275-00-0602J, 228-1277-00-0602J, 232-1285-00-0602J, 240-1280-00-0602J, 242-1281-00-0602J, and 248-1182-00-0602J have thru holes and no screws.

## Ordering Information

**See tables on the next page.**

# 3M™ Textool™ .100" (2.54 mm) DIP Sockets

ZIP DIP

Contact Quantity	Device Row Spacing Accepted	Dim A	Dim B	Dim C	Dim D	Dim E	Dim F
14	.17 - .43 [ 4.3 ] - [ 10.9 ]	1.30 [ 33.0 ]	.60 [ 15.2 ]	.300 [ 7.62 ]	.60 [ 15.2 ]	.30 [ 7.6 ]	1.11 [ 28.2 ]
16	.17 - .43 [ 4.3 ] - [ 10.9 ]	1.39 [ 35.3 ]			.70 [ 17.8 ]		1.21 [ 30.7 ]
18	.17 - .43 [ 4.3 ] - [ 10.9 ]	1.49 [ 37.8 ]			.80 [ 20.3 ]		1.31 [ 33.3 ]
20	.17 - .43 [ 4.3 ] - [ 10.9 ]	1.59 [ 40.4 ]			.90 [ 22.9 ]		1.41 [ 35.8 ]
22	.27 - .53 [ 6.9 ] - [ 13.5 ]	1.69 [ 42.9 ]	.70 [ 17.8 ]	.400 [ 10.16 ]	1.00 [ 25.4 ]	.35 [ 8.9 ]	1.51 [ 38.4 ]
24	.47 - .73 [ 11.9 ] - [ 18.5 ]	1.78 [ 45.3 ]	.90 [ 22.9 ]	.600 [ 15.25 ]	1.10 [ 27.9 ]	.45 [ 11.4 ]	1.61 [ 40.9 ]
	.17 - .43 [ 4.3 ] - [ 10.9 ]	1.79 [ 45.5 ]	.60 [ 15.2 ]	.300 [ 7.62 ]		.30 [ 7.6 ]	
28	.47 - .73 [ 11.9 ] - [ 18.5 ]	1.98 [ 50.4 ]	.90 [ 22.9 ]	.600 [ 15.25 ]	1.30 [ 33.0 ]	.45 [ 11.4 ]	1.81 [ 46.0 ]
	.27 - .53 [ 6.9 ] - [ 13.5 ]	1.99 [ 50.5 ]	.70 [ 17.8 ]	.400 [ 10.16 ]		.35 [ 8.9 ]	1.83 [ 46.0 ]
32	.47 - .73 [ 11.9 ] - [ 18.5 ]	2.19 [ 55.5 ]	.90 [ 22.9 ]	.600 [ 15.25 ]	1.50 [ 38.1 ]	.45 [ 11.4 ]	2.01 [ 51.1 ]
40	.47 - .73 [ 11.9 ] - [ 18.5 ]	2.58 [ 65.6 ]			1.90 [ 48.3 ]		2.41 [ 61.2 ]
		.87 - 1.13 [ 22.1 ] - [ 28.7 ]	2.58 [ 65.5 ]	1.30 [ 33.0 ]	1.000 [ 25.40 ]		.65 [ 16.5 ]
42	.47 - .73 [ 11.9 ] - [ 18.5 ]	2.68 [ 68.2 ]	.90 [ 22.9 ]	.600 [ 15.25 ]	2.0 [ 50.8 ]	.45 [ 11.4 ]	2.51 [ 63.8 ]
48	.47 - .73 [ 11.9 ] - [ 18.5 ]	2.98 [ 75.8 ]			2.30 [ 58.4 ]		2.81 [ 71.4 ]
64	.77 - 1.03 [ 19.8 ] - [ 26.2 ]	3.95 [ 100.3 ]	1.30 [ 33.0 ]	.900 [ 22.86 ]	3.10 [ 78.7 ]	.65 [ 16.5 ]	3.73 [ 94.7 ]

## Ordering Information

Socket Part Number	Contact Quantity	Distance Between Rows	Mating Receptacle Part Number
214-3339-00-0602J	14	.300 [ 7.62 ]	214-3339-XX-0602J
216-3340-00-0602J	16		216-3340-XX-0602J
218-3341-00-0602J	18		218-3341-XX-0602J
220-3342-00-0602J	20		220-3342-XX-0602J
222-3343-00-0602J	22	.400 [ 10.16 ]	222-3334-XX-0602J
224-1275-00-0602J	24	.600 [ 15.24 ]	*224-1275-XX-0602J
224-5248-00-0602J		.300 [ 7.62 ]	224-5248-XX-0602J
228-1277-00-0602J	28	.600 [ 15.24 ]	*228-1277-XX-0602J
228-4817-00-0602J		.400 [ 10.16 ]	228-4817-XX-0602J
232-1285-00-0602J	32	.600 [ 15.24 ]	*232-1285-XX-0602J
240-1280-00-0602J	40		240-1280-XX-0602J
240-3639-00-0602J			1.00 [ 25.4 ]
242-1281-00-0602J	42	.600 [ 15.24 ]	*242-1281-XX-0602J
248-1282-00-0602J	48		*248-1282-XX-0602J
264-4493-00-0602J	64	.900 [ 22.86 ]	264-4493-XX-0602J

\*Only these P/N's available with -09, -19, -29, and -39 receptacle options. All others only available with -09, and -19 options.

Contact Pattern 

XX = 09 Solder Tail .13 [ 3.3 ] w/ flanges = 29 Solder Tail .13 [ 3.3 ] w/out flanges  
 = 19 Wire Wrap Tail .62 [ 15.8 ] w/ flanges = 39 Wire Wrap Tail .62 [ 15.8 ] w/out flanges

TS-0365-B  
Sheet 3 of 3

**Important Notice**

All statements, technical information, and recommendations related to 3M's products are based on information believed to be reliable, but the accuracy or completeness is not guaranteed. Before using this product, you must evaluate it and determine if it is suitable for your intended application. You assume all risks and liability associated with such use. Any statements related to the product which are not contained in 3M's current publications, or any contrary statements contained on your purchase order shall have no force or effect unless expressly agreed upon, in writing, by an authorized officer of 3M.

**Warranty; Limited Remedy; Limited Liability.**

This product will be free from defects in material and manufacture for a period of one (1) year from the time of purchase. **3M MAKES NO OTHER WARRANTIES INCLUDING, BUT NOT LIMITED TO, ANY IMPLIED WARRANTY OF MERCHANTABILITY OR FITNESS FOR A PARTICULAR PURPOSE.** If this product is defective within the warranty period stated above, your exclusive remedy shall be, at 3M's option, to replace or repair the 3M product or refund the purchase price of the 3M product. **Except where prohibited by law, 3M will not be liable for any indirect, special, incidental or consequential loss or damage arising from this 3M product, regardless of the legal theory asserted.**

**3M Electronics Solutions Division**

6801 River Place Blvd.  
Austin, TX 78726-9000  
U.S.A.  
1-800-225-5373  
[www.3Mconnectors.com](http://www.3Mconnectors.com)

Please recycle. Printed in USA.  
© 3M 2012. All rights reserved.  
RIA-2217B-E

3M and Textool are trademarks of 3M Company.