

3M™ Textool™ Universal DIP Sockets

.100" (2.54 mm)



- For DIP's with .100" (2.54 mm) lead spacing
- Extra wide contact zone allows insertion of DIP's with distance between rows from .300" (7.62 mm) through .600" (15.24 mm)
- Lever actuated zero insertion force mechanism
- Socket contact point of .090" (2.29 mm) below top surface of socket

Date Modified: September 17, 2012

TS-0392-B
Sheet 1 of 2

Physical

Insulation

Material: Glass Filled Polysulfone

Flammability: UL 94V-0

Color: Green

Contact:

Material: Beryllium Copper

Plating: 30 μ " (0.76 mm) Gold over 50 μ " (1.3 mm) Nickel

Electrical

Current Rating: 1 Amp

Insulation Resistance: $> 1 \times 10^9 \Omega$ at 500 Vdc

Withstanding Voltage: 1000 Vrms at Sea Level

Environmental

Temperature Rating: -55°C to +125°C



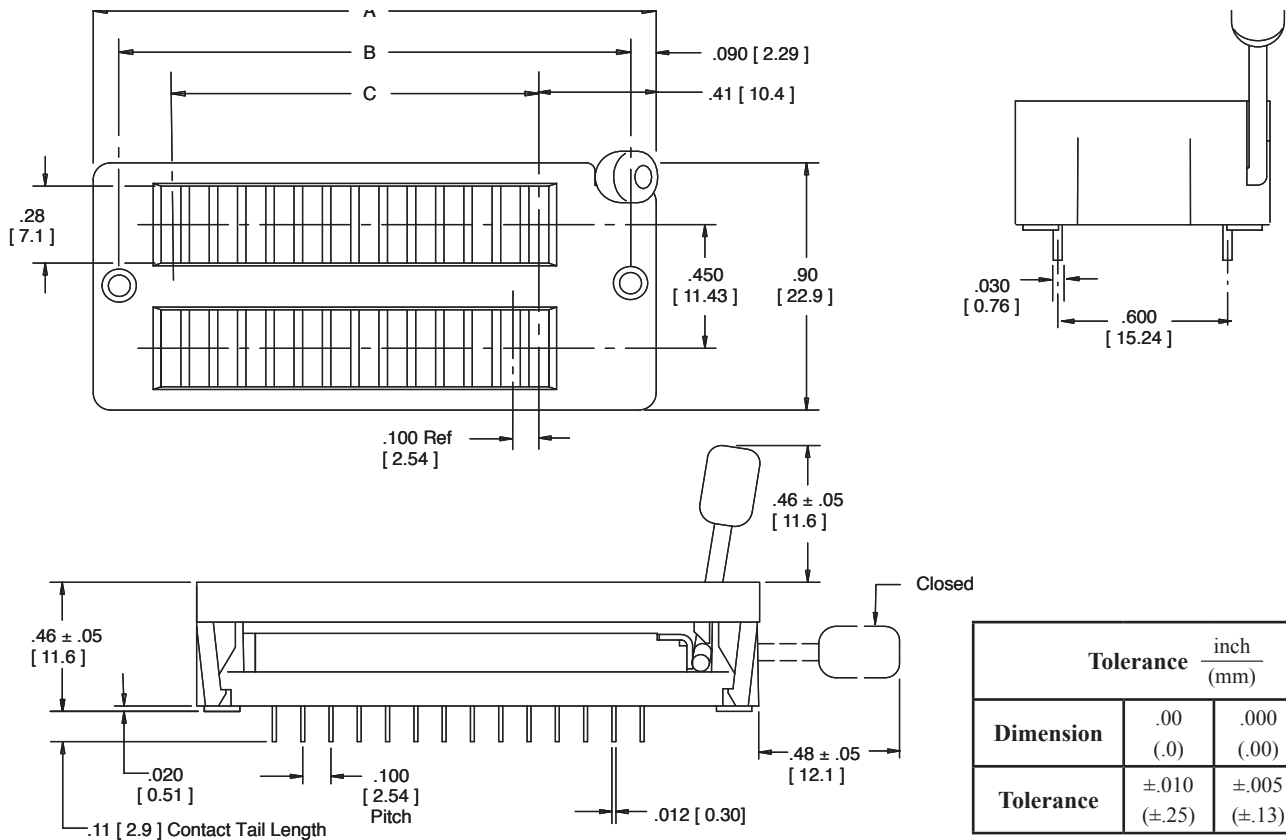
Electronic Solutions Division
Interconnect Solutions
<http://www.3Mconnectors.com>

3M is a trademark of 3M Company.
For technical, sales or ordering information call
800-225-5373

3M™ Textool™ Universal DIP Sockets

.100" (2.54 mm)

| Dimensions | | | |
|------------------|-------------|-------------|---------------|
| Contact Quantity | A | B | C |
| 24 | 1.77 [45.0] | 1.61 [40.9] | 1.100 [27.94] |
| 28 | 1.99 [50.5] | 1.81 [46.0] | 1.300 [33.02] |
| 32 | 2.19 [56.6] | 2.01 [51.1] | 1.500 [38.10] |
| 40 | 2.59 [65.8] | 2.41 [61.2] | 1.900 [48.26] |
| ① 42 | 2.69 [68.2] | 2.51 [63.8] | 2.000 [50.80] |



① Note: .12 [3.0] Contact Tail Length applies only on 42 position socket.

Ordering Information

| Socket Part Number | Contact Quantity | Mating Receptacle Part Number |
|--------------------|------------------|-------------------------------|
| 224-1286-00-0602J | 24 | 224-1275-XX-0602J |
| 228-1371-00-0602J | 28 | 228-1277-XX-0602J |
| 232-1287-00-0602J | 32 | 232-1285-XX-0602J |
| 240-1288-00-0602J | 40 | 240-1280-XX-0602J |
| 242-1289-00-0602J | 42 | 242-1281-XX-0602J |

Contact Tail Length:
 XX = 09 Solder Tail w/ flanges
 = 19 Wire Wrap Tail .62 [15.8] w/ flanges
 = 29 Solder Tail .13 [3.3] w/out flanges
 = 39 Wire Wrap Tail .62 [15.8] w/out flanges

TS-0392-B
 Sheet 2 of 2

Important Notice

All statements, technical information, and recommendations related to 3M's products are based on information believed to be reliable, but the accuracy or completeness is not guaranteed. Before using this product, you must evaluate it and determine if it is suitable for your intended application. You assume all risks and liability associated with such use. Any statements related to the product which are not contained in 3M's current publications, or any contrary statements contained on your purchase order shall have no force or effect unless expressly agreed upon, in writing, by an authorized officer of 3M.

Warranty; Limited Remedy; Limited Liability.

This product will be free from defects in material and manufacture for a period of one (1) year from the time of purchase. **3M MAKES NO OTHER WARRANTIES INCLUDING, BUT NOT LIMITED TO, ANY IMPLIED WARRANTY OF MERCHANTABILITY OR FITNESS FOR A PARTICULAR PURPOSE.** If this product is defective within the warranty period stated above, your exclusive remedy shall be, at 3M's option, to replace or repair the 3M product or refund the purchase price of the 3M product. **Except where prohibited by law, 3M will not be liable for any indirect, special, incidental or consequential loss or damage arising from this 3M product, regardless of the legal theory asserted.**



3M Electronics Solutions Division

6801 River Place Blvd.
Austin, TX 78726-9000
U.S.A.
1-800-225-5373
www.3Mconnectors.com

Please recycle. Printed in USA.
© 3M 2012. All rights reserved.
RIA-2217B-E

3M and Textool are trademarks of 3M Company.