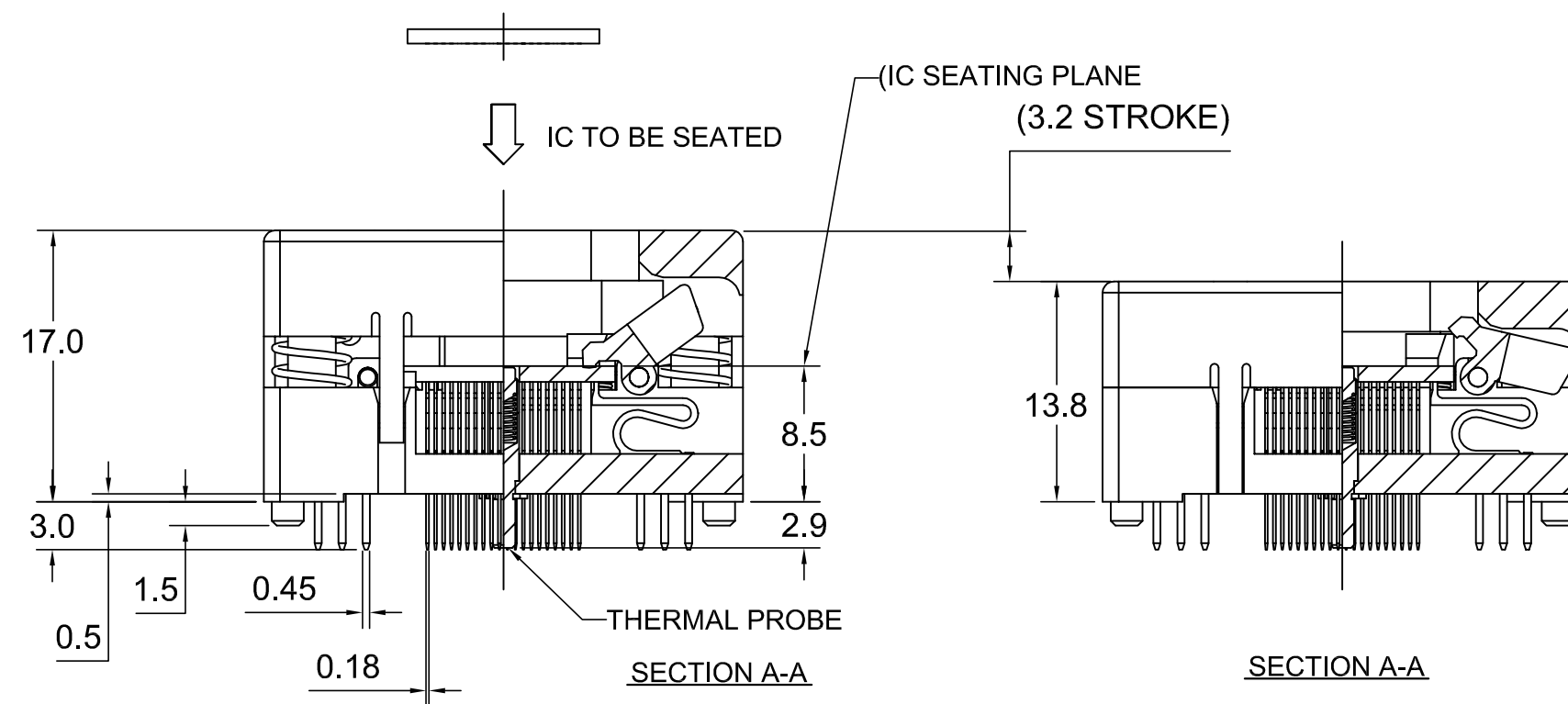
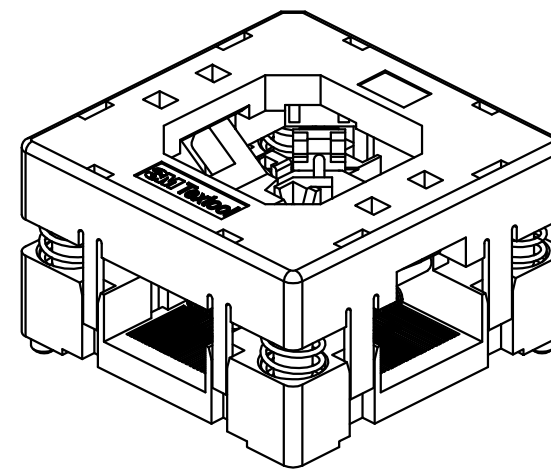
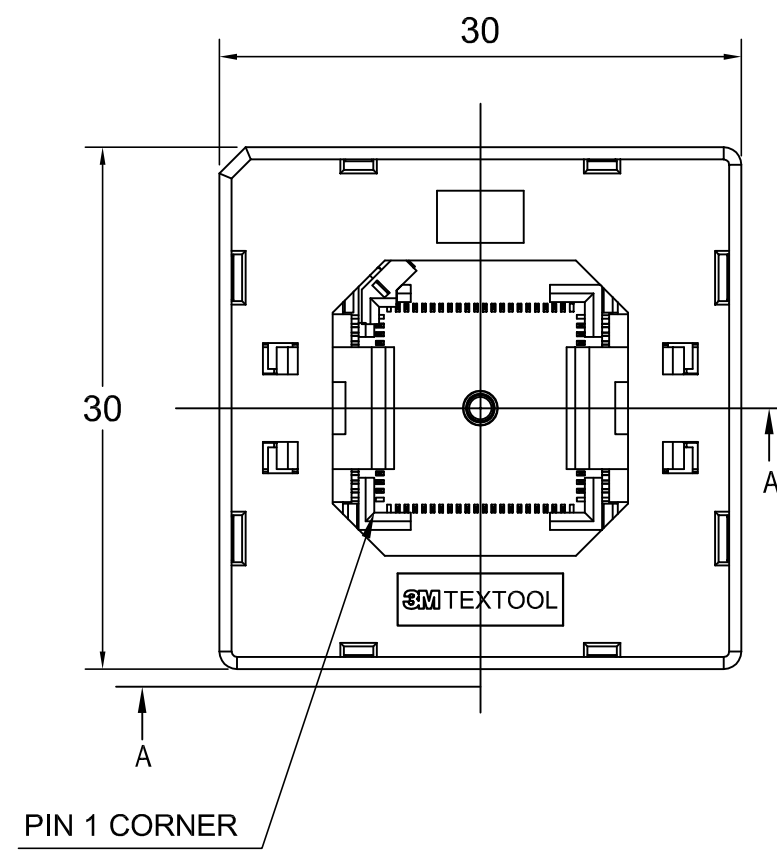


# 3M™ TEXTTOOL™ OPEN-TOP SOCKETS FOR QFN APPLICATIONS



## NOTES:

### 1. MATERIALS:

SPRINGS	SS	PLATING : Au
CONTACTS	Be Cu	COLOR : BLACK
IC GUIDES	PES	COLOR : BLACK
PRESSURE PAD	PES	COLOR : BLACK
COVER	PPS or equiv.	COLOR : BLACK
BASE	PES	COLOR : BLACK

2. SEE THE REGULATORY INFORMATION APPENDIX (RIA) IN THE "RoHS COMPLIANCE" SECTION [WWW.3MCONNECTOR.COM](http://WWW.3MCONNECTOR.COM) FOR COMPLIANCE INFORMATION (RIA E1 & C1 APPLY).

3. FOR PRODUCT SPECIFICATIONS AND WARRANTY INFORMATION SEE:

[WWW.3MCONNECTOR.COM](http://WWW.3MCONNECTOR.COM) PN 280-5205-01

REV	ECO	ISSUE DATE AND DESCRIPTION	DRFT	CHKD
B	53964	ADDED PINOUT ON SHT 2	LDS	BG
A	37213	INITIAL RELEASE	ARM	
DRFT	DATE	MFG	DATE	
CHKD	DATE	APPVL	DATE	

DESIGN REFERENCE	NEXT ASSEMBLY
DISTRIBUTION CODES	
DIVISION	DIVISION CODE
DO NOT SCALE DRAWING	SCALE 5/1
THIRD ANGLE PROJECTION	TOLERANCES EXCEPT AS NOTED
INTERPRET PER ASME Y14.5 - 1994	INCHES
MAX SURFACE ROUGHNESS 125	0 ± .1 .00 ± .02 .000 ± .005 .000 ± .0002
<input type="checkbox"/> ALL SURFACES <input checked="" type="checkbox"/> MARKED ONLY	MILLIMETERS
	0 ± .1 .00 ± .02 .000 ± .0002
	ANGLES ± 1°

**3M** 3M Center St. Paul, MN 55144

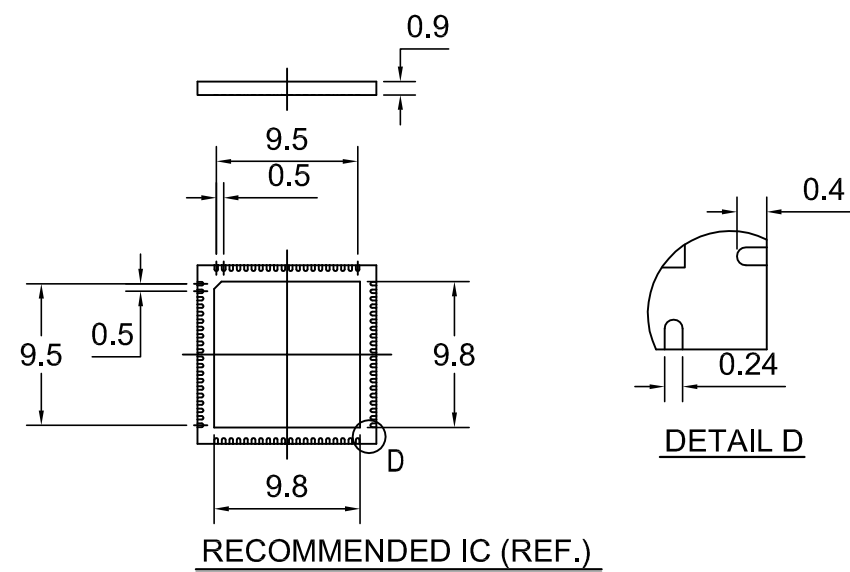
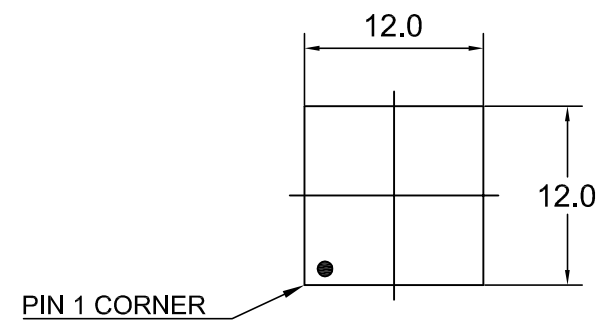
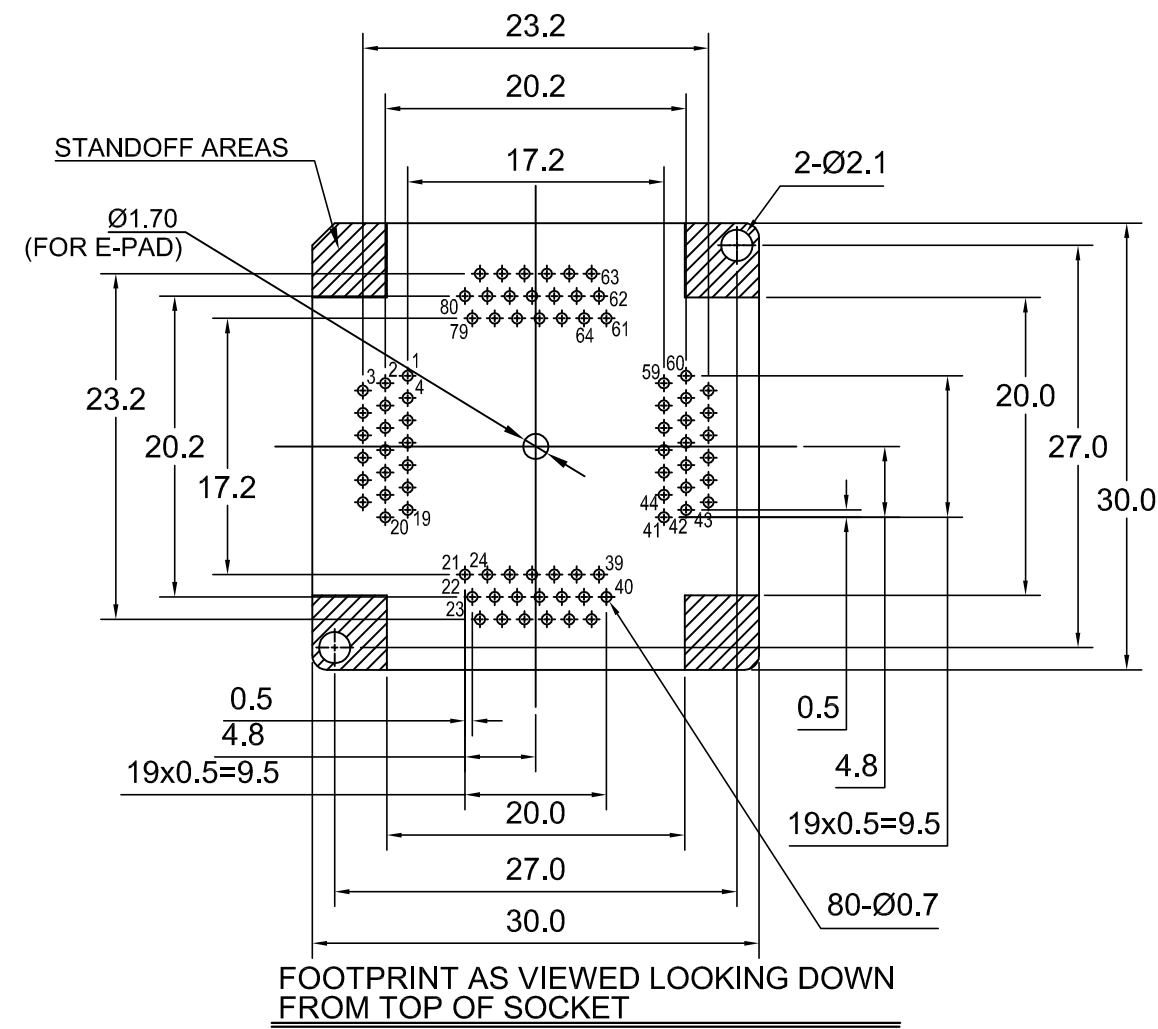
© 3M COPYRIGHT 2014  
This document is the copyrighted property of the 3M Company and may not be reproduced without 3M written permission or used for other than 3M authorized purposes.

TITLE: **QFN TEST SOCKET, 0.5mm 80 POS, EVEN ROW, 12x12 PKG WITH TP**

CAGE NUMBER: **C** DRAWING NO.: **78-5100-2476-9** REV. **B**

MODEL: **TEXTTOOL - QFN** DET. LISTS:  YES  NO SHT 1 OF 2

# 3M™ TEXTTOOL™ OPEN-TOP SOCKETS FOR QFN APPLICATIONS



DESIGN REFERENCE		NEXT ASSEMBLY		REV	ECO	ISSUE DATE AND DESCRIPTION		DRFT	CHKD
DISTRIBUTION CODES				DRFT		DATE	MFG	DATE	
				CHKD		DATE	APPVL	DATE	
DIVISION		DIVISION CODE		3M Center St. Paul, MN 55144 © 3M COPYRIGHT 2014 This document is the copyrighted property of the 3M Company and may not be reproduced without 3M written permission or used for other than 3M authorized purposes.					
DO NOT SCALE DRAWING		SCALE 5 1							
THIRD ANGLE PROJECTION		INCHES		.0 ± .1		TITLE <b>QFN TEST SOCKET, 0.5mm                  80 POS, EVEN ROW, 12x12 PKG                  WITH TP</b>			
INTERPRET PER ASME Y14.5 - 1994		MILLIMETERS		0 ± .005					
MAX SURFACE ROUGHNESS		MILLIMETERS		0 ± .005		CAGE NUMBER		REV.	
125		<input type="checkbox"/> ALL SURFACES <input checked="" type="checkbox"/> MARKED ONLY		.00 ± .000		SIZE <b>C</b> DRAWING NO. <b>78-5100-2476-9</b>		DET. LISTS <input type="checkbox"/> YES <input checked="" type="checkbox"/> NO SHT 2 OF 2	
		ANGLES ± 1°		MODEL		TEXTTOOL - QFN			