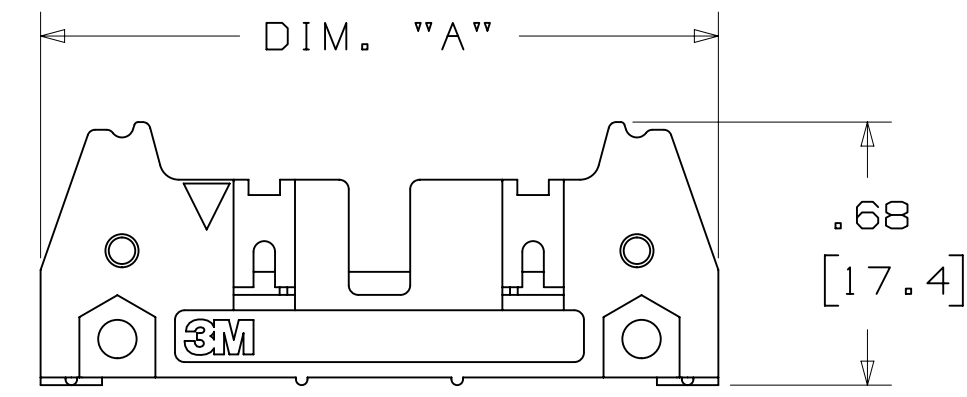
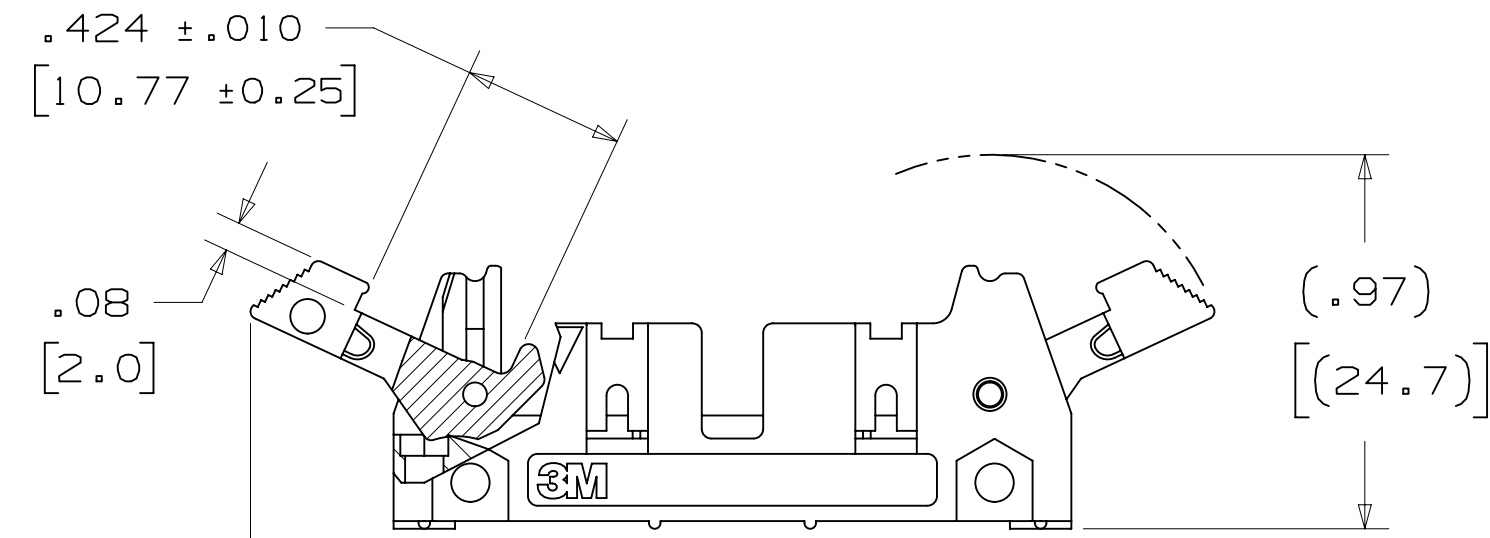


3M™ THREE-WALL HEADER, 3000 SERIES

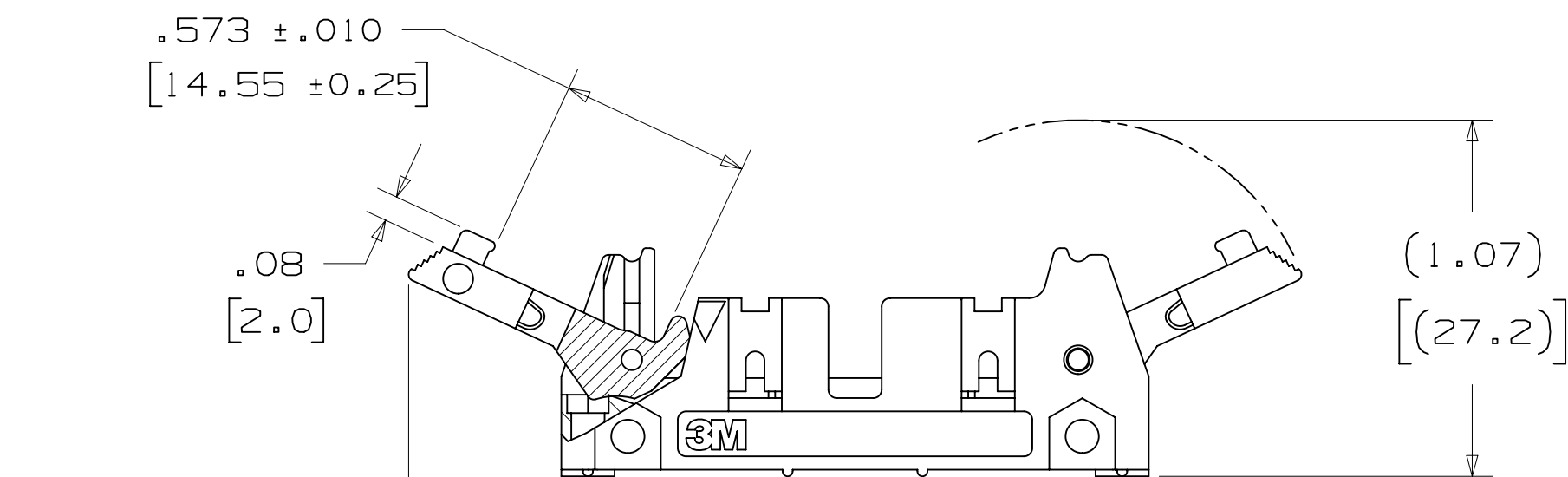
.100" X .100" LATCH/EJECTOR, STRAIGHT AND RIGHT ANGLE



-X0XX
HEADER WITHOUT LATCH/EJECTOR



-X2XX
HEADER WITH SHORT LATCH/EJECTOR
FOR 3M SOCKETS WITHOUT STRAIN RELIEF



-X3XX
HEADER WITH LONG LATCH/EJECTOR
FOR 3M SOCKETS WITH STRAIN RELIEF

ORDERING INFORMATION

N = HIGH TEMP BLACK (PCT)/(RB PLATING REQ'D)
BLANK = (UB PLATING)

3M PART NUMBER:
(SEE TABLE 1)

PIN CONFIGURATION:
1 = RIGHT ANGLE SOLDER TAILS
2 = STRAIGHT SOLDER TAILS

PLATING:
RB = 30μ" [0.76μm] GOLD AND 200μ" [5.08μm] MATTE TIN
(APP. E1 & C1 APPLY)
UB = 30μ" [0.76μm] GOLD AND 200μ" [5.08μm]
TIN LEAD (APP. E3 & C2 APPLY)

TAIL:
02 = FOR .062 [1.57] THICK BOARD
03 = FOR .094 TO .125 [2.39 TO 3.18] THICK BOARD
K2 = KINKED FOR .062 [1.57] THICK BOARD

LATCH/EJECTOR SYSTEM:
0 = NO LATCH/EJECTOR INSTALLED
2 = SHORT ROLL PIN LATCH/EJECTORS
3 = LONG ROLL PIN LATCH/EJECTORS

3M ELECTRONIC MATERIALS SOLUTIONS DIVISION
INTERCONNECT SOLUTIONS
<http://www.3mconnectors.com>

3M IS A TRADEMARK OF 3M COMPANY.
FOR TECHNICAL, SALES OR ORDERING
INFORMATION CALL 800-225-5373

- * MILITARY (WITH 3M'S N3518 POLARIZING KEY) AND CENTERBUMP POLARIZATION.
- * LOW PROFILE.
- * OPTIONAL EJECTOR LATCHES.
- * MOUNTING HOLES FOR SECURING HEADER TO BOARD.
- * THREE WALL SHROUD PROVIDES DESIGN FLEXIBILITY.
- * SOLDER TAIL AND WRAP TAIL OPTIONS.
- * OPTIONAL POLARIZING POSTS AVAILABLE.
- * HIGH TEMPERATURE INSULATOR SUITABLE FOR "NO LEAD" SOLDERING OPERATIONS.
- * SUITABLE FOR REFLOW SOLDERING USING "PASTE IN HOLE" TECHNIQUES.

2 PHYSICAL :

INSULATOR: GLASS FILLED POLYESTER (PCT)
MATERIAL: UL94V-0
FLAMMABILITY: BLACK
COLOR: COPPER ALLOY
CONTACT: PLATING: 100μ" [2.54μm] NICKEL-OVERALL
UNDER PLATING: 30μ" [0.76μm] AVG. GOLD
WIPING AREA: 200μ" [5.08μm] TIN LEAD OR MATTE TIN (SEE ORDERING INFORMATION)
MARKINGS: 3M LOGO, PART IDENTIFICATION NUMBER AND ORIENTATION TRIANGLE

2 ELECTRICAL :

CURRENT RATING: 5.00A, 1 CONTACT POWERED
3.00A, 6 CONTACTS POWERED
1.75A, ALL CONTACTS POWERED
RATING CONDITIONS: EIA-364-070 METHOD 2, 30°C MAXIMUM TEMPERATURE RISE, 20% DERATED. REFERENCE APPROPRIATE 3M PRODUCT SPECIFICATION FOR DETAILED CURRENT DERATING CURVES.

INSULATION RESISTANCE: >1 X 10⁹Ω AT 500 V_{DC}
WITHSTANDING VOLTAGE: 1,000V_{RMS} AT SEA LEVEL

2 ENVIRONMENTAL :

TEMPERATURE RATING: -55°C TO 105°C
PROCESS RATING: 260°C, PER J-STD-020C, SINGLE PASS
MOISTURE SENSITIVITY LEVEL: 1 (PER J-STD-020C)

1. REGULATORY INFORMATION: ROHS COMPLIANT. SEE THE REGULATORY INFORMATION APPENDIX (RIA) IN THE "ROHS COMPLIANCE" SECTION OF WWW.3MCONNECTORS.COM FOR COMPLIANCE INFORMATION.
2. IN THE EVENT OF CONFLICT BETWEEN THIS DATA AND THAT CONTAINED IN THE PRODUCT SPECIFICATION, THE PRODUCT SPECIFICATION TAKES PRECEDENT.
3. NOTCHES A & C WILL ACCOMMODATE 3M POLARIZING KEY: N3518).
4. MOUNTING HARDWARE: FROM SOLDER SIDE OF PC BOARD USE #4-24 THREAD CUTTING SCREW (3M PART #3341-5) WITH Ø.116 [2.95] MOUNTING HOLE. FOR RIGHT ANGLE VERSION ONLY: #2-56 BOLT AND NUT (3M PART #3341-6) WITH Ø.106 [2.69] MOUNTING HOLE MAY BE USED.
5. THE RECOMMENDED PCB HOLE SIZE FOR THE KINKED TAIL POSITIONS ON THE .112 SOLDER TAIL CONNECTOR IS Ø.035±.002. (SEE K2 VERSION).

DIMENSIONS: INCHES [MM]
[MM] IS REF. ONLY

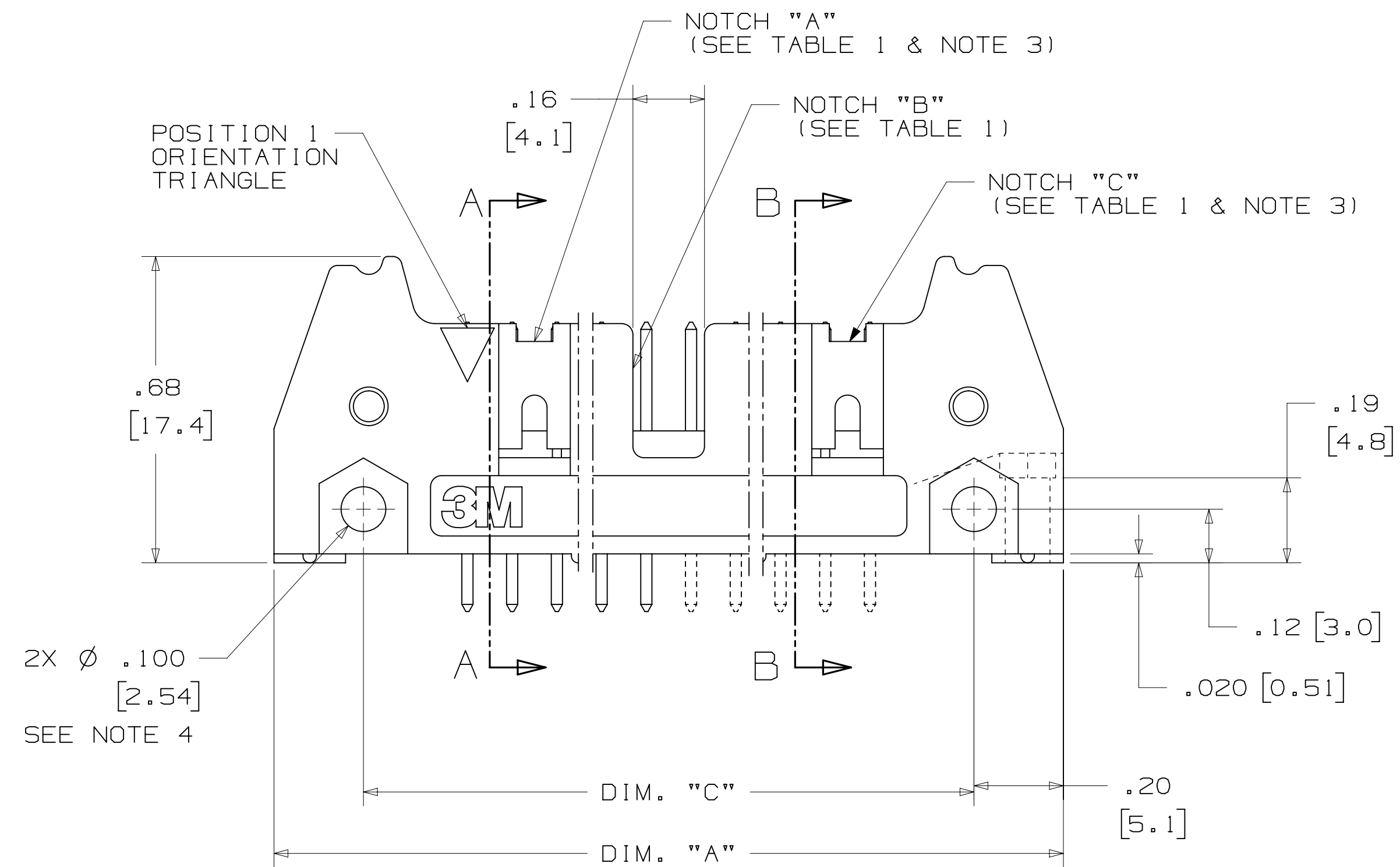
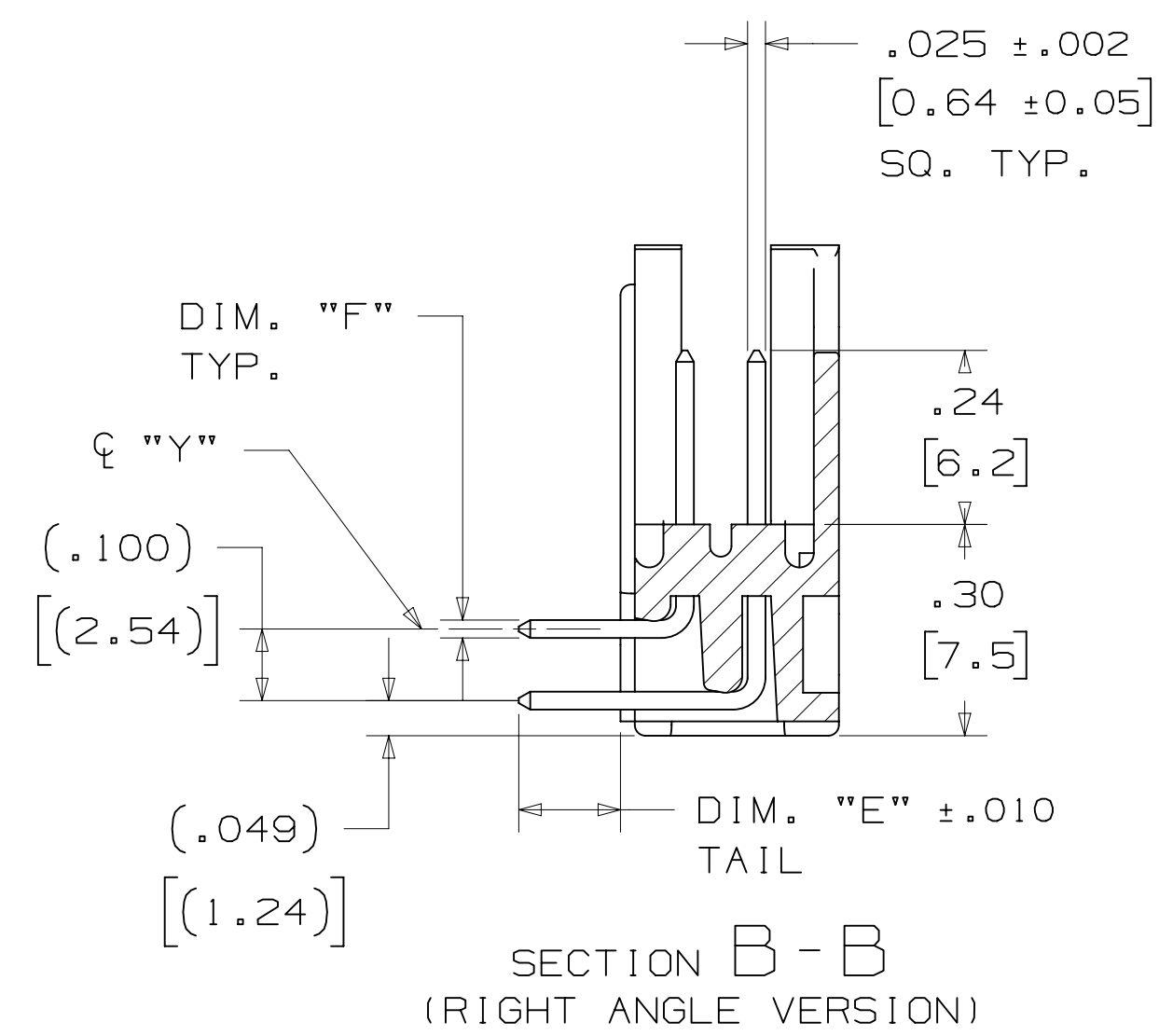
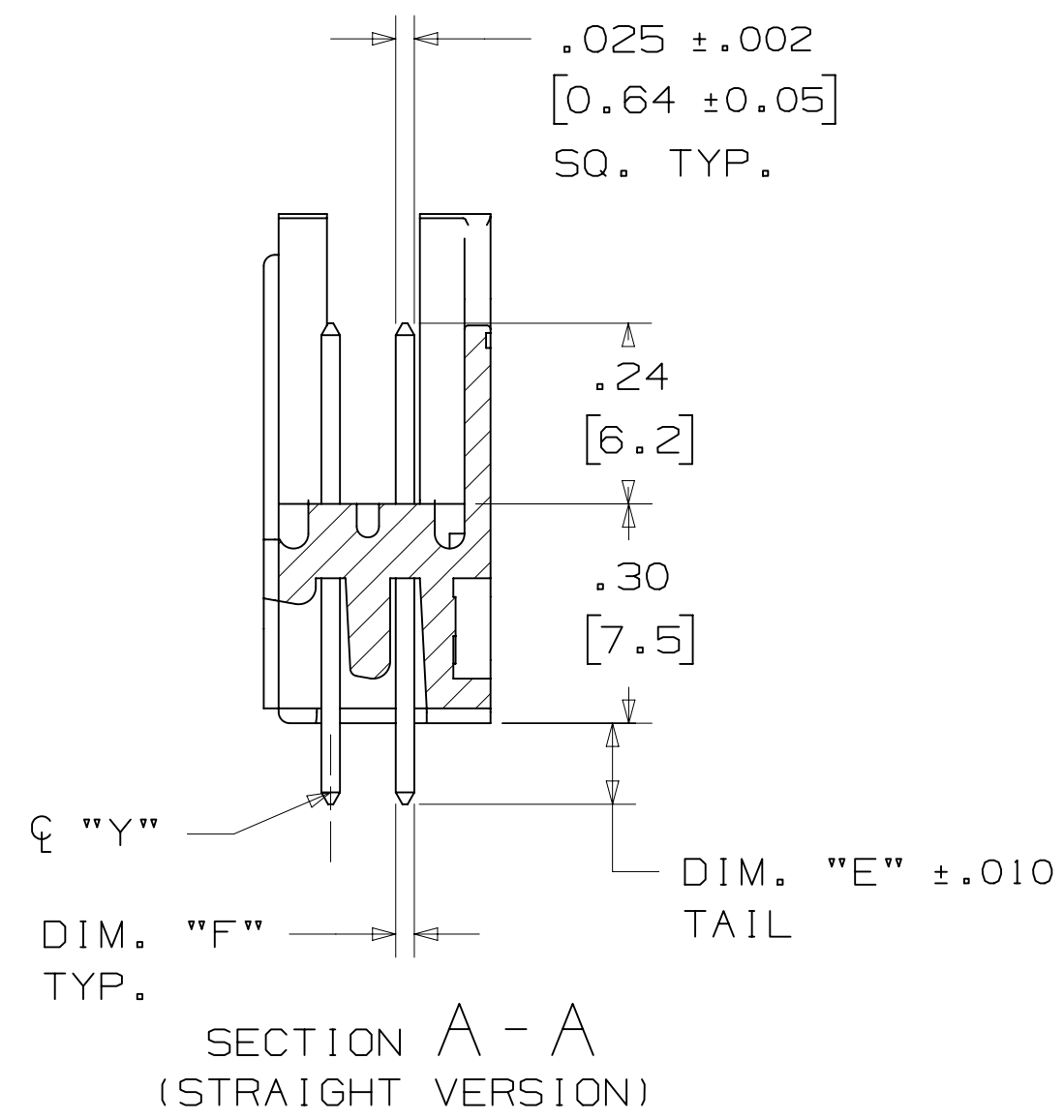
DESIGN REFERENCE	NEXT ASSEMBLY	REV	ECO	ISSUE DATE AND DESCRIPTION	DRFT	CHKD
Interconnect Solutions	EMSD	CASTIGLIONE	AUG 05, 2014	MFG		
DO NOT SCALE DRAWING	SCALE 1	TOLERANCES EXCEPT AS NOTED	INCHES: .00 ± .01, .000 ± .005, .0000 ±			
THIRD ANGLE PROJECTION	INTERPRET PER ASME Y14.5 - 2009	MILLIMETERS: 0 ± .3, .00 ± .13, .000 ±				
MAX SURFACE ROUGHNESS	MARKED ONLY	3M				
TITLE: HEADER, 3-WALL, .100 X .100 LATCH/EJECTOR, STRAIGHT & RA		CAGE NUMBER: D78-5100-0771-5		REV. H		
MODEL: 3000 SERIES		SHT 1 OF 4				

UL FILE NO: E68080

78-5100-0771-5
78-5100-0771-5 H
12:53 PM UTC-06:00

3M™ THREE-WALL HEADER, 3000 SERIES

.100" X .100" LATCH/EJECTOR, STRAIGHT AND RIGHT ANGLE



PIN QTY.	3M PART NUMBER	DIM. "A"	DIM. "B"	DIM. "C"	DIM. "D"	POLARIZING NOTCHES	PIN QTY.
10	3793	1.26 [32.1]	1.105 [28.04]	.865 [21.97]	.71 [18.0]	BC	10
14	3314	1.46 [37.2]	1.305 [33.12]	1.065 [27.05]	.91 [23.1]	BC	14
16	3408	1.56 [39.7]	1.405 [35.66]	1.165 [29.59]	1.01 [25.6]	ABC	16
20	3428	1.76 [44.8]	1.604 [40.74]	1.365 [34.67]	1.21 [30.7]	ABC	20
26	3429	2.06 [52.4]	1.905 [48.36]	1.665 [42.29]	1.51 [38.3]	ABC	26
34	3431	2.46 [62.6]	2.305 [58.52]	2.065 [52.45]	1.91 [48.5]	ABC	34
40	3432	2.76 [70.2]	2.605 [66.14]	2.365 [60.07]	2.21 [56.1]	ABC	40
50	3433	3.26 [82.9]	3.105 [78.84]	2.865 [72.77]	2.71 [68.8]	ABC	50
60	3372	3.76 [95.6]	3.605 [91.54]	3.365 [85.47]	3.21 [81.5]	ABC	60
64	3764	3.96 [100.7]	3.805 [96.62]	3.565 [90.55]	3.41 [86.6]	ABC	64

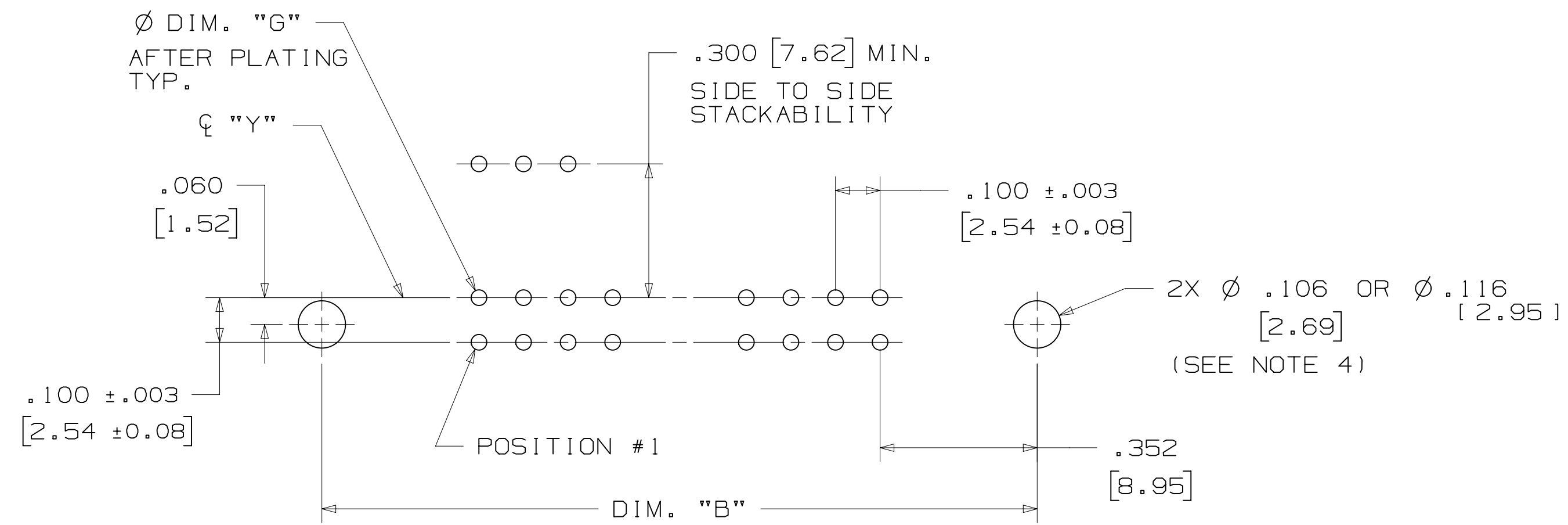
3M PART NUMBER SUFFIX	CONTACT TAIL	DIM. "E"	PIN CROSS SECTION			DIM. "G"
-1XX2	.062 [1.57] THICK PC BOARD	.112 [2.84]	DIM. "F"	DIAGONALS	CORNER RADIUS	.035+/- .003 [.89]
-2XX2			.0245+/- .0005 [.622]	.028+/- .001 [.71]	.0075 REF. [.191]	SEE NOTE 5
-1X03	.094 [2.39] TO	.155 [3.94]	.0245+/- .0005 [.622]	.028+/- .001 [.71]	.0075 REF. [.191]	.035+/- .003 [.89]
-2X03	.125 [3.18] THICK PC BOARD					

DESIGN REFERENCE	NEXT ASSEMBLY	REV	ECO	ISSUE DATE AND DESCRIPTION	DRFT	CHKD
DIVISION		3M Center		St. Paul, MN 55144		
Interconnect Solutions		EMSD		© 3M COPYRIGHT 2015		
DO NOT SCALE DRAWING		SCALE 4/1		TOLERANCES EXCEPT AS NOTED		
THIRD ANGLE PROJECTION		INCHES		.00 ± .01		
INTERPRET PER ASME Y14.5 - 2009		MILLIMETERS		.000 ± .005		
MAX SURFACE ROUGHNESS		.00 ± .13		.000 ± .005		
MARKED ONLY		ANGLES		0 ± .3		
CAGE NUMBER		DRAWING NO.		REV.		
D78-5100-0771-5		H		H		
MODEL		3000 SERIES		SHT 2 OF 4		

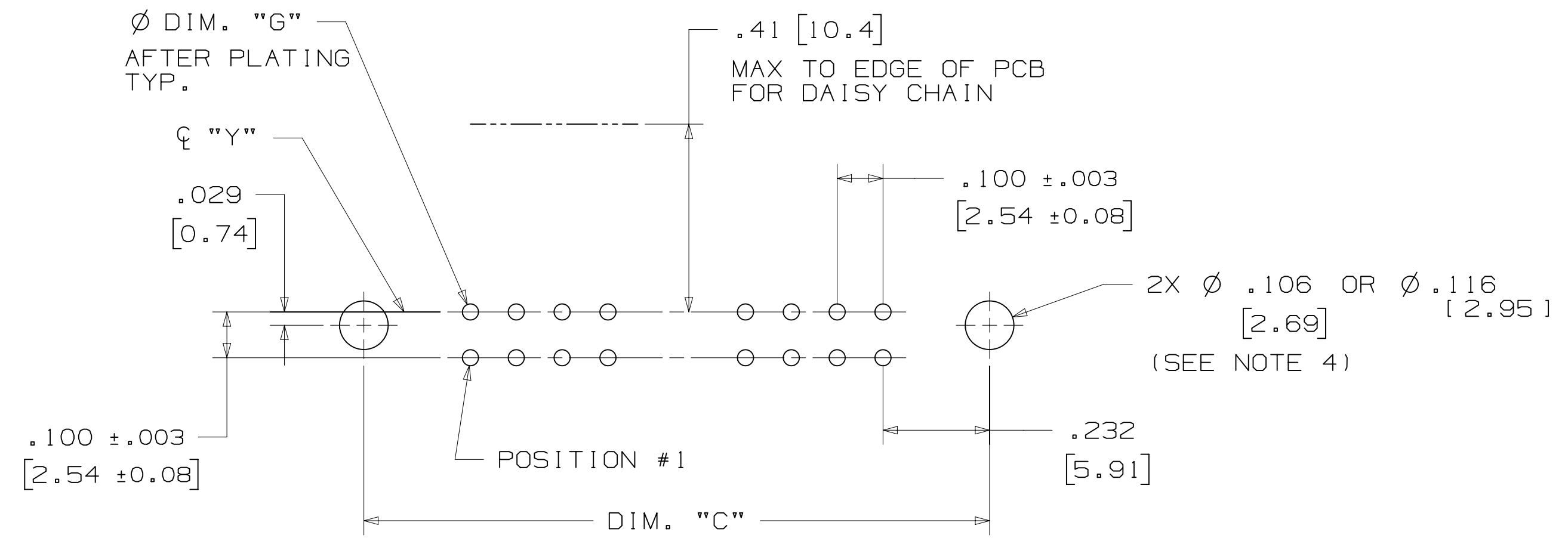
H REVISION
 78-5100-0771-5 DRAWING NUMBER
 B
 A
 Imaged: H.1 3/6/2015 12:53 PM UTC-06:00

3M™ THREE-WALL HEADER, 3000 SERIES

.100" X .100" LATCH/EJECTOR, STRAIGHT AND RIGHT ANGLE



RECOMMENDED MOUNTING HOLE PATTERN (STRAIGHT VERSION)



RECOMMENDED MOUNTING HOLE PATTERN (RIGHT ANGLE VERSION)

PART CUSTOMIZATION

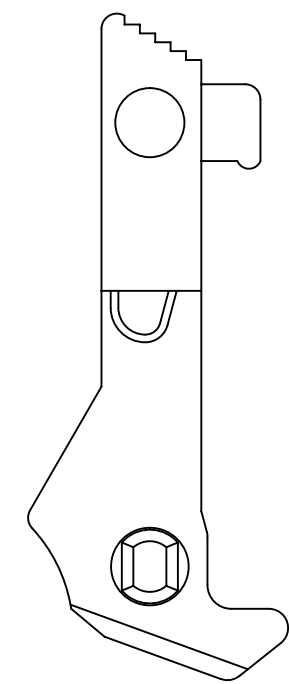
THIS SPEC SHEET DETAILS OUR STANDARD OFFERING.

3M HAS SEVERAL CAPABILITIES THAT CAN PROVIDE A PART TAILORED TO YOUR SPECIFIC NEEDS. ASK YOUR 3M SALES REPRESENTATIVE OR CUSTOMER SERVICE FOR MORE DETAILS.

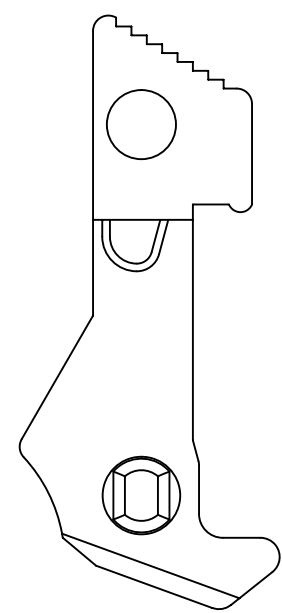
BOTH SNAP-IN AND ROLL PIN LATCHES MAY BE ORDERED SEPARATELY. SNAP-IN AND ROLL PIN STYLE LATCHES ARE DIMENSIONALLY AND FUNCTIONALLY EQUIVALENT. IF ORDERING SNAP-IN OR ROLL PIN STYLE LATCHES SEPARATELY, PLEASE USE THE BELOW CHART.

MATERIAL	SHORT LATCH	LONG LATCH	LATCH STYLE	COLOR
HIGH TEMP. (PCT)	N3505-2B	N3505-3B	ROLL PIN	BLACK
HIGH TEMP. (PPA)	N3505-30B	N3505-31B	SNAP-IN	BLACK

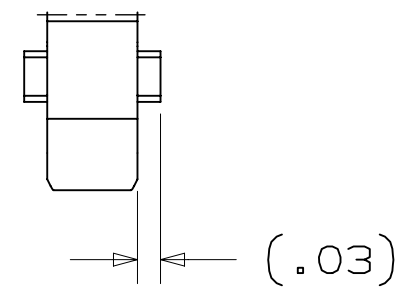
- * SELECTIVE PIN REMOVAL (ATA OR OTHER COMPATABILITY)
- * WIRE WRAP TAILS STYLE



LONG



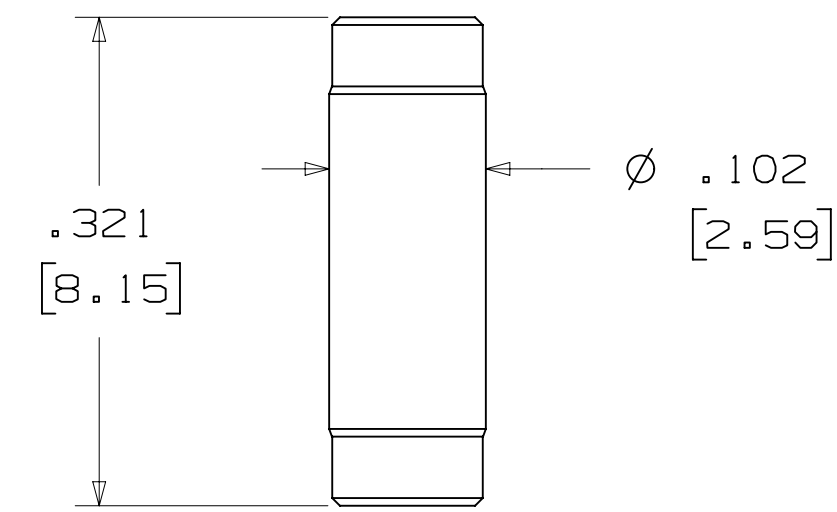
SHORT



SNAP-IN LATCHES

NOTE: SNAP-IN LATCHES CAN ONLY BE ORDERED SEPARATELY AND ARE THE CUSTOMERS RESPONSIBILITY TO INSTALL.

POLARIZING POST



3M PART NO.	MATERIAL	COLOR
3201-4	LCP	BLACK

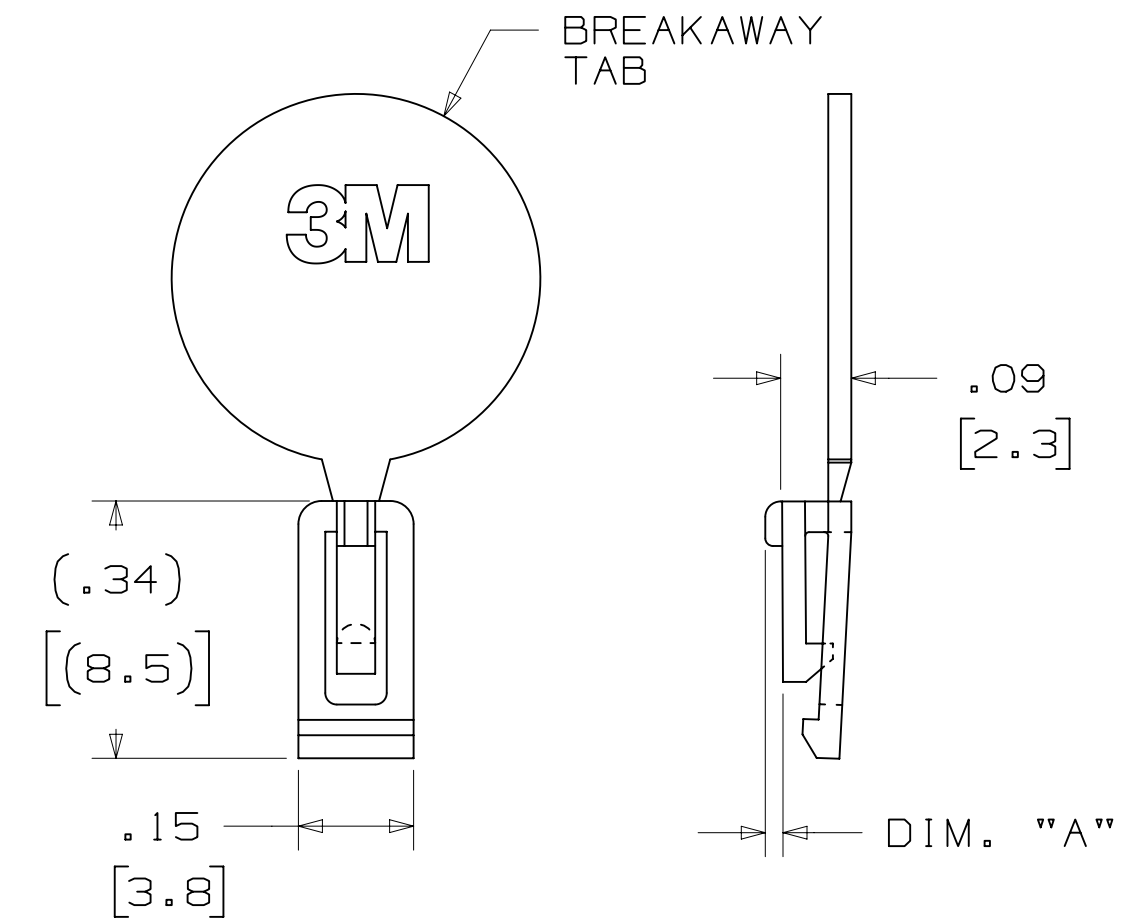
NOTE: INSERT POST INTO ONE MOUNTING HARDWARE HOLE ON BOTTOM OF HEADER. SET POST TO PROTRUDE .115 [2.92]

(K2) OPTION

2500 & 3000 SERIES SHROUDED HEADER						
TOTAL NO. OF PINS	NO. OF TAILS KINKED	POSITIONS KINKED				
10	4	3	4	7	8	
14	4	3	4	11	12	
16	4	3	4	13	14	
20	4	3	4	17	18	
26	4	3	4	23	24	
34	4	7	8	27	28	
40	4	7	8	33	34	
50	4	7	8	43	44	
60	4	11	12	49	50	
64	4	11	12	53	54	

KINKED TAIL DETAIL:
 - KINK IS LOCATED .05" BELOW BOTTOM SURFACE OF PLASTIC.
 - EXTERNAL RADIUS OF KINK TOWARD PART CENTERLINE.

POLARIZING KEY



3M PART NO.	MATERIAL	COLOR	DIM. "A"
N3518	LCP	BLACK	.02

NOTE: #2216 B/A SCOTCHWELD CAN BE USED TO ADHERE KEYS.

H	60056	MAR 06, 2015	JNC	RS
G	56068	AUG 05, 2014	JNC	RS

DESIGN REFERENCE	NEXT ASSEMBLY	REV	ECO	ISSUE DATE AND DESCRIPTION	DRFT	CHKD

DIVISION	DIVISION CODE	DATE	DATE
Interconnect Solutions	EMSD	AUG 05, 2014	SEP 05, 2014
DO NOT SCALE DRAWING	SCALE 4-1	TOLERANCES EXCEPT AS NOTED	
THIRD ANGLE PROJECTION		TOLERANCES EXCEPT AS NOTED	
INTERPRET PER ASME Y14.5 - 2009		MILLIMETERS	
MAX SURFACE ROUGHNESS		INCHES	
MARKED ONLY		0 ±	
		.00 ± .01	
		.000 ± .005	
		.0000 ±	
		0 ±	
		.00 ± .13	
		.000 ±	
		ANGLES	

TITLE	CAGE NUMBER	SIZE	DRAWING NO.	REV.
HEADER, 3-WALL, .100 X .100 LATCH/EJECTOR, STRAIGHT & RA	D		78-5100-0771-5	H

MODEL: 3000 SERIES

12:53 PM UTC-06:00 3/6/2015 H.1 78-5100-0771-5

3M™ THREE-WALL HEADER, 3000 SERIES
 .100" X .100" LATCH/EJECTOR, STRAIGHT AND RIGHT ANGLE

MOUNTING HARDWARE



3341-5
 (INSTALL FROM BOTTOM OF BOARD)
 PANHEAD THREAD CUTTING SCREW:
 #4-24 X 5/16"
 TYPE: USA STD BT, FEDERAL B6
 MATERIAL: STAINLESS STEEL



3341-6
 HEX HEAD BOLT, NUT AND WASHER:
 BOLT - #2-56 X 1/2"
 MATERIAL: STAINLESS STEEL



3341-6
 #2-56 NUT AND BOLT
 TORQUE FOR EACH BOLT: 1.25 - 3.125 INCH LBS.



3341-5

DESIGN REFERENCE	NEXT ASSEMBLY	REV	ECO	ISSUE DATE AND DESCRIPTION	DRFT	CHKD
DATE	DATE	DATE	DATE	DATE	DATE	DATE
CSTIGLIONE	AUG 05, 2014	MFG				
		R. SCHERER		SEP 05, 2014		
DIVISION	DIVISION CODE	© 3M COPYRIGHT 2015				
Interconnect Solutions	EMSD	This document and the information it contains are 3M property and may not be reproduced or further distributed without 3M permission, or used or disclosed other than for 3M authorized purposes. All rights reserved.				
DO NOT SCALE DRAWING	SCALE 4/1	TOLERANCES EXCEPT AS NOTED				
		INCHES	TITLE HEADER, 3-WALL, .100 X .100 LATCH/EJECTOR, STRAIGHT & RA			
		.00 ± .01	CAGE NUMBER D78-5100-0771-5			
		.000 ± .005	DRAWING NO. 3000 SERIES			
		.0000 ±	REV. H			
THIRD ANGLE PROJECTION		MILLIMETERS	MODEL 3000 SERIES			
		0 ±	DET. YES <input type="checkbox"/> NO <input checked="" type="checkbox"/> SHT 4 OF 4			
INTERPRET PER ASME Y14.5 - 2009		.0 ± .3				
MAX SURFACE ROUGHNESS		.00 ± .13				
MARKED SURFACES		.000 ±				
<input checked="" type="checkbox"/> MARKED ONLY		ANGLES				

78-5100-0771-5
 H
 12:53 PM UTC-06:00