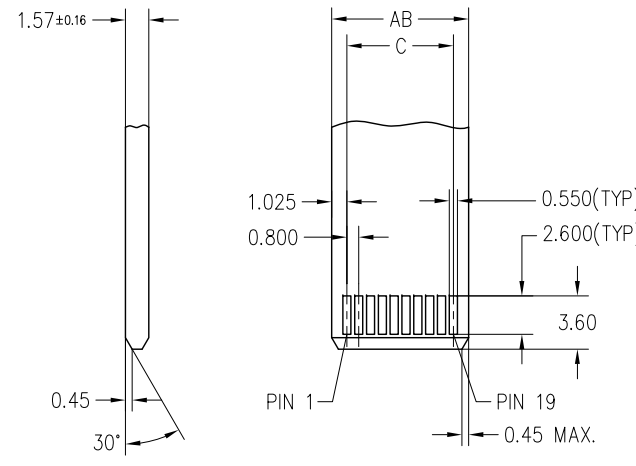
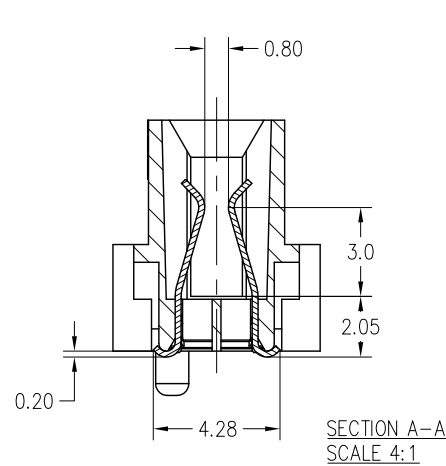
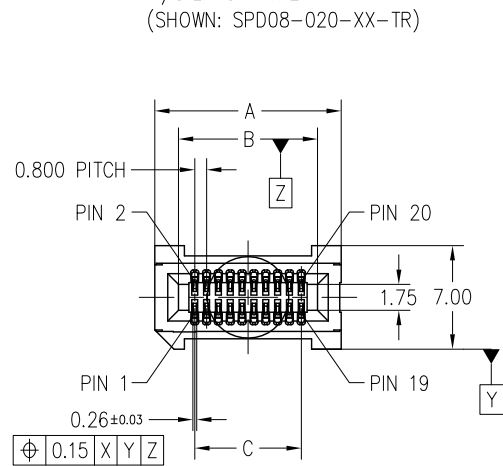


3M™ HIGH SPEED CARD-EDGE CONNECTOR, SPD08 SERIES

FIG. 1
FOR POSITIONS 020, 040, 060,
W/O LATCH TYPE
(SHOWN: SPD08-020-XX-TR)



NOTES:

- MATERIAL:**
HOUSING: GLASS FILLED LCP, BLACK, UL 94V-0
LATCH: GLASS FILLED LCP, BEIGE, UL 94V-0
CONTACT: COPPER ALLOY
SOLDER TAB: COPPER ALLOY
- FINISH:**
GOLD PLATING ON CONTACT WIPING AREA,
3~5um MATTE TIN ON SOLDER TAILS,
1.27um NICKEL UNDER PLATED.
- RATING:**
CURRENT: 3.0A, SINGLE CONTACT POWERED,
1.2A, ALL CONTACTS POWERED.
VOLTAGE: 250V AC
TEMPERATURE: -55 TO +125°C
PROCESS TEMP: 260°C MAX. (PROFILE PER J-STD-020C)
MOISTURE SENSITIVITY LEVEL: 1 (PER J-STD-020C)
CONTACT RESISTANCE: 20mΩ MAX.
CHARACTERISTIC IMPEDANCE: FOR USE WITH 100 Ω
OR 85 Ω DIFFERENTIAL-PAIR SYSTEMS, OR 50 Ω
SINGLE-ENDED SYSTEM.
BANDWIDTH: 15Gbps (RATED @ -3dB INSERTION LOSS,
30mm STACK HEIGHT BOARD TO BOARD APPLICATION)
- ROHS COMPLIANT.
- RECOMMENDED PACKAGING:**
W/O LATCH TYPE: 20~160POS., T&R; 180~200POS., TRAY
WITH LATCH TYPE: 20~120POS., T&R; 140~200POS., TRAY
- PART NUMBERING INFORMATION:**

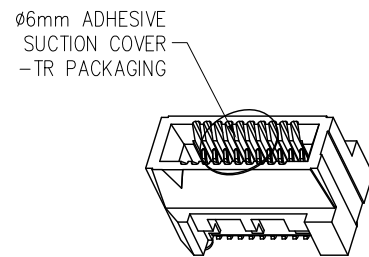
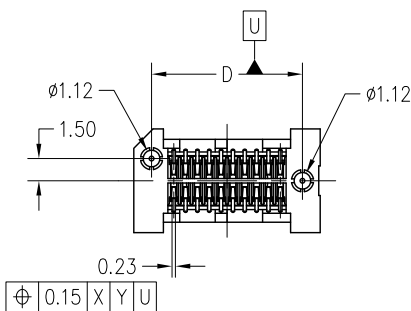
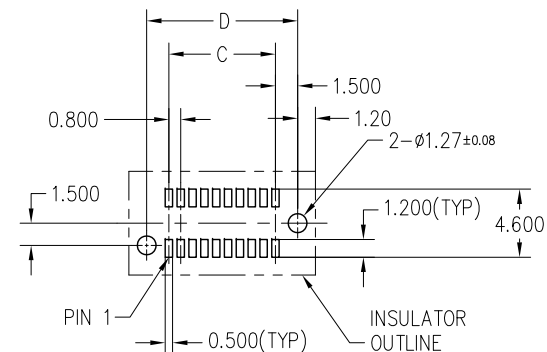
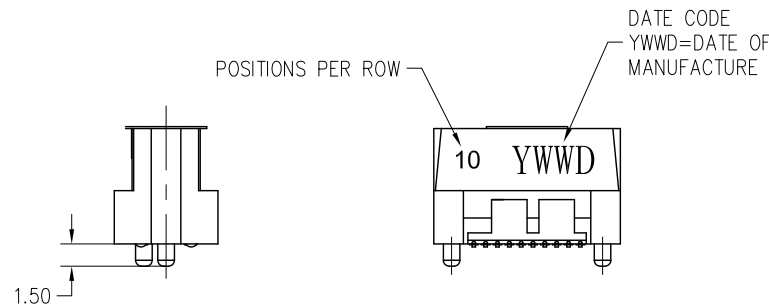
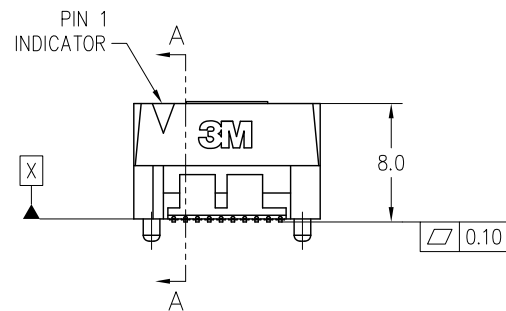
SPD08-XXX-X-XX-XX

NO. OF POSITIONS
020, 040, 060 (SEE FIG. 1, 3)
050, 080, 100, 120, 140, 160,
180, 200 (SEE FIG. 2, 4)

PACKAGING OPTION
BLANK= TRAY
TR= TAPE & REEL

PLATING OPTION
RB= 0.76um MIN. GOLD
RC= 0.38um MIN. GOLD
RA= 0.25um MIN. GOLD

LATCHING OPTION
BLANK= W/O LATCH (SEE FIG. 1, 2)
L = WITH LATCH (SEE FIG. 3, 4)



POSITIONS	DIMENSIONS				
	A	B	C	D	AB
20	12.60	9.40	7.200	10.20	9.25
40	20.60	17.40	15.200	18.20	17.25
60	28.60	25.40	23.200	26.20	25.25

DESIGN REFERENCE NEXT ASSEMBLY

DISTRIBUTION CODES

DIVISION ESD DIVISION CODE

DO NOT SCALE DRAWING SCALE 2:1 TOLERANCES EXCEPT AS NOTED

THIRD ANGLE PROJECTION INTERPRET PER ASME Y14.5 - 1994

MAX SURFACE ROUGHNESS
 ALL SURFACES
 MARKED ONLY

ANGLES ± 3'

B	16 JUL 2013	KDLIU	KDLIU
A	11 MAY 2011	KDLIU	KDLIU
REV	ECO	ISSUE DATE AND DESCRIPTION	DRFT
DRFT	K.D. LIU	DATE 05/11/11	MFG
CHKD		DATE	DATE

© 3M COPYRIGHT
This document is the copyrighted property of the 3M Company and may not be reproduced without 3M written permission or used for other than 3M authorized purposes.

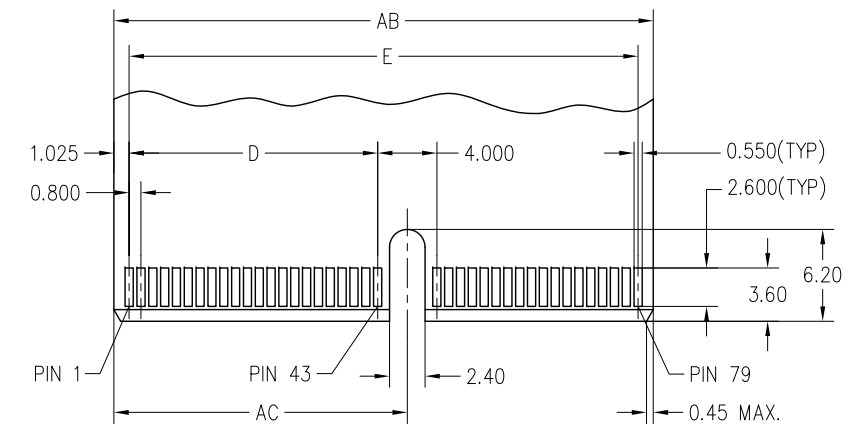
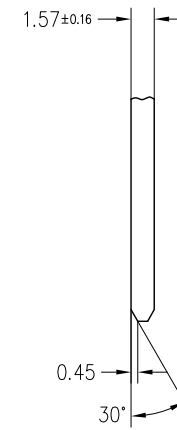
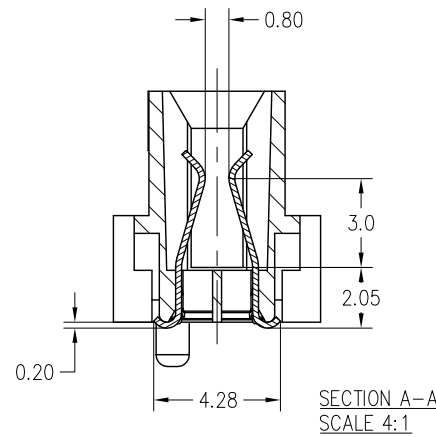
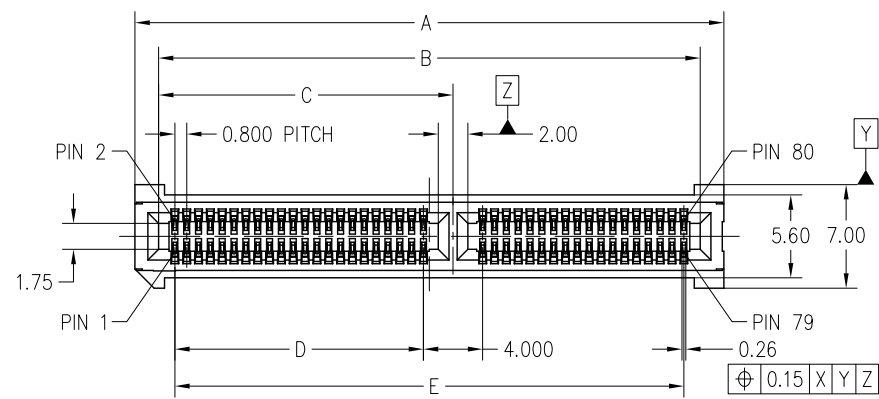
TITLE
SPD08 HIGH SPEED CARD EDGE CONNECTOR, 0.8MM PITCH SMT

CAGE NUMBER SIZE DRAWING NO. REV.
78-5100-2420-7 B

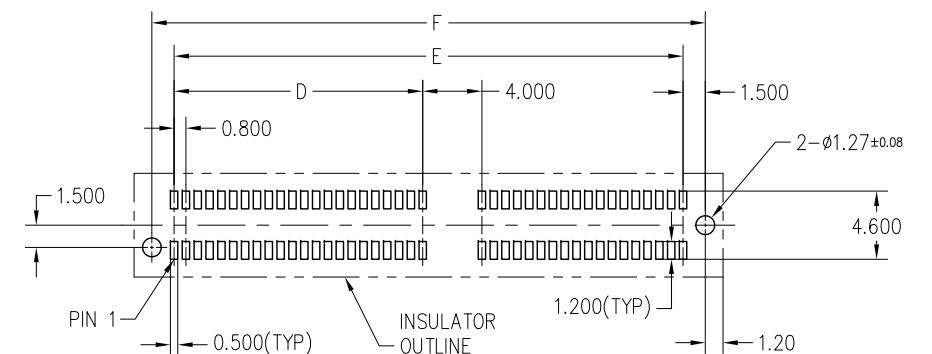
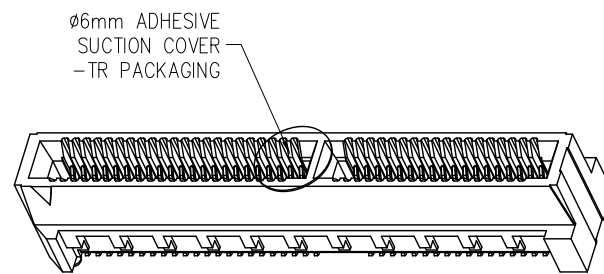
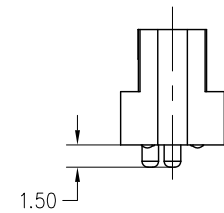
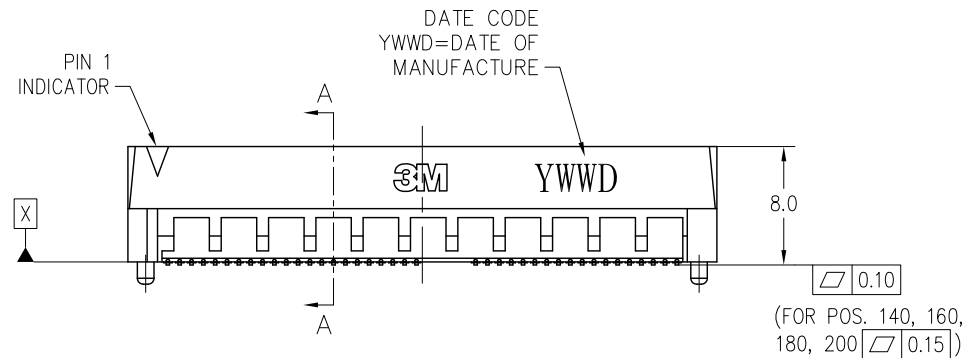
MODEL DET. LISTS YES NO SHT 1 OF 4

3M™ HIGH SPEED CARD-EDGE CONNECTOR, SPD08 SERIES

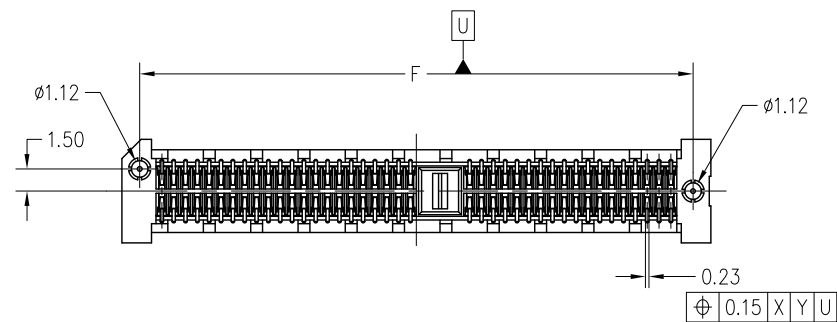
FIG. 2
FOR POSITIONS 050, 080, 100, 120,
140, 160, 180, 200, W/O LATCH TYPE
(SHOWN: SPD08-080-XX-TR)



RECOMMENDED MATING CARD LAYOUT



RECOMMENDED PCB LAYOUT

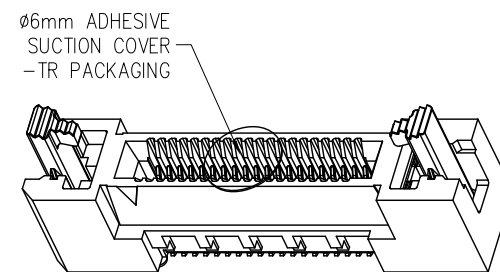
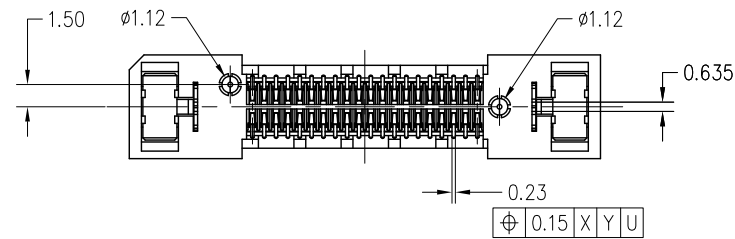
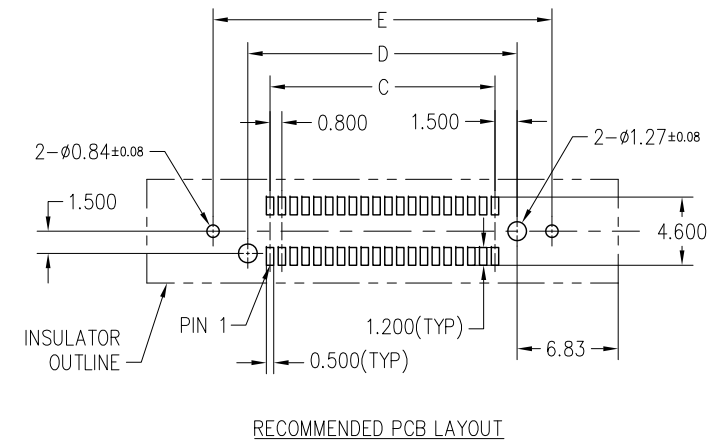
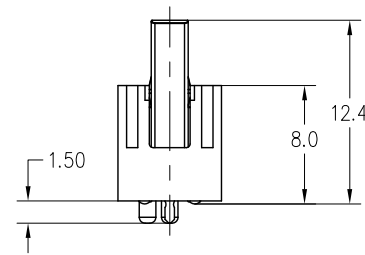
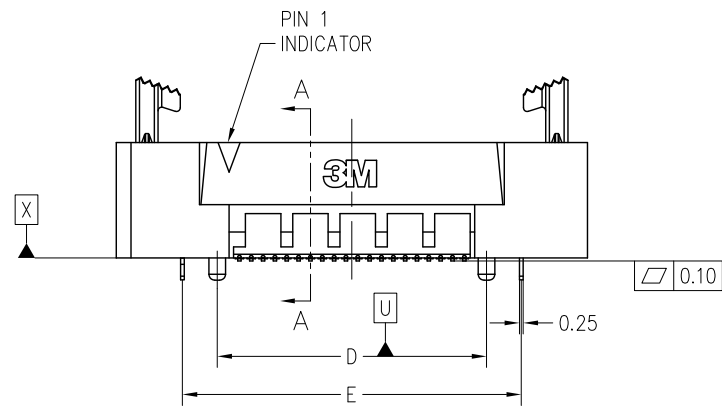
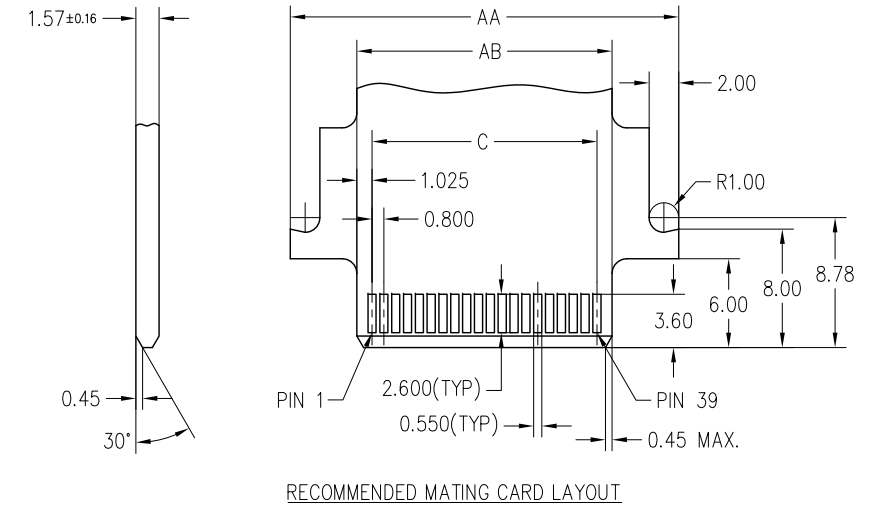
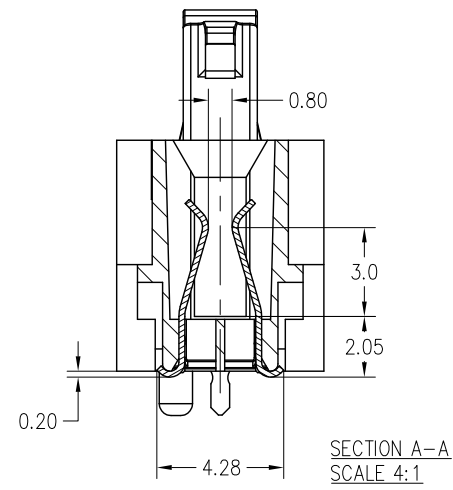
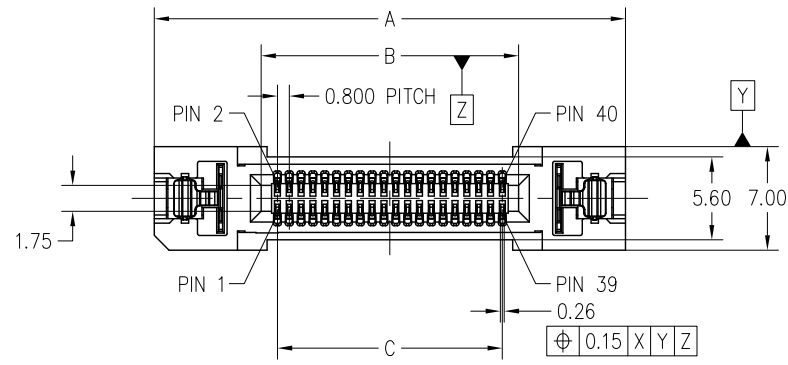


POSITIONS	DIMENSIONS							
	A	B	C	D	E	F	AB	AC
50	27.80	24.60	7.10	4.000	22.400	25.40	24.45	7.025
80	39.80	36.60	19.90	16.800	34.400	37.40	36.45	19.825
100	47.80	44.60	23.90	20.800	42.400	45.40	44.45	23.825
120	55.80	52.60	27.90	24.800	50.400	53.40	52.45	27.825
140	63.80	60.60	27.90	24.800	58.400	61.40	60.45	27.825
160	71.80	68.60	27.90	24.800	66.400	69.40	68.45	27.825
180	79.80	76.60	27.90	24.800	74.400	77.40	76.45	27.825
200	87.80	84.60	27.90	24.800	82.400	85.40	84.45	27.825

DESIGN REFERENCE	NEXT ASSEMBLY	REV	ECO	ISSUE DATE AND DESCRIPTION		DRFT	CHKD
DISTRIBUTION CODES		DRFT	K.D. LIU	DATE	05/11/11	MFG	DATE
		CHKD		DATE		APPLY	DATE
DIVISION	ESD	DIVISION CODE		© 3M COPYRIGHT			
DO NOT SCALE DRAWING	SCALE 2:1	TOLERANCES EXCEPT AS NOTED	This document is the copyrighted property of the 3M Company and may not be reproduced without 3M written permission or used for other than 3M authorized purposes.				
THIRD ANGLE PROJECTION	INTERPRET PER ASME Y14.5 - 1994	INCHES	TITLE SPD08 HIGH SPEED CARD EDGE CONNECTOR, 0.8MM PITCH SMT				
MAX SURFACE ROUGHNESS	<input type="checkbox"/> ALL SURFACES <input checked="" type="checkbox"/> MARKED ONLY	MILLIMETERS	CAGE NUMBER C DRAWING NO. 78-5100-2420-7 REV. B				
		.0 ± .05 .0 ± .20 .00 ± .10 .000 ± .05 .0000 ±	MODEL DET. LISTS <input type="checkbox"/> YES <input type="checkbox"/> NO SHT 2 OF 4				

3M™ HIGH SPEED CARD-EDGE CONNECTOR, SPD08 SERIES

FIG. 3
FOR POSITIONS 020, 040, 060,
WITH LATCH TYPE
(SHOWN: SPD08-040-L-XX-TR)

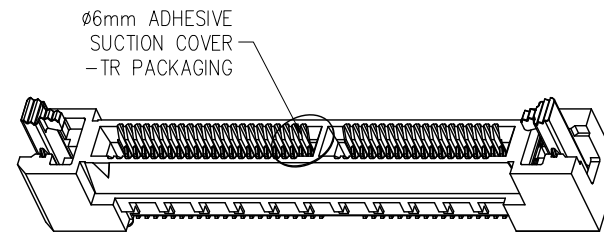
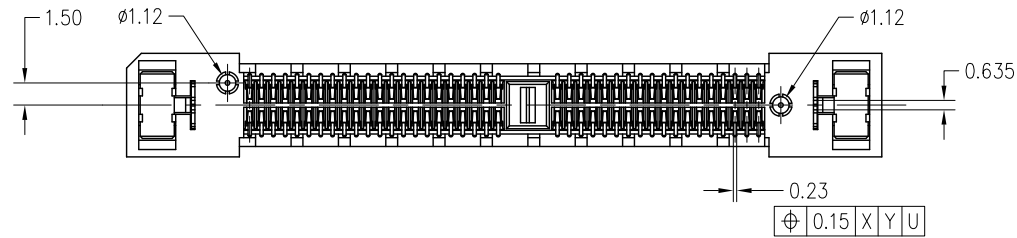
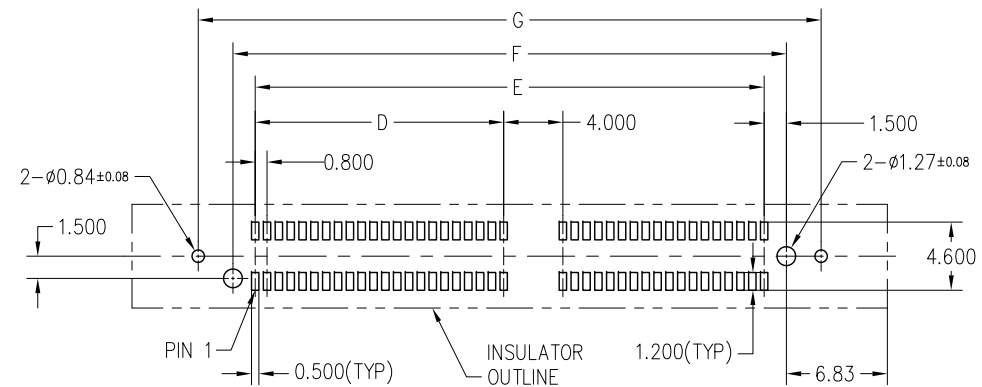
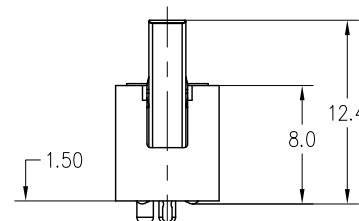
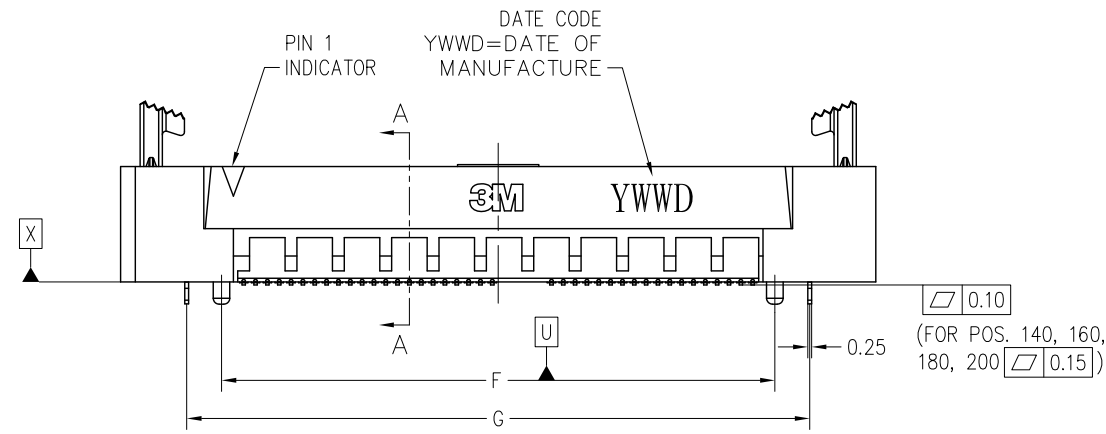
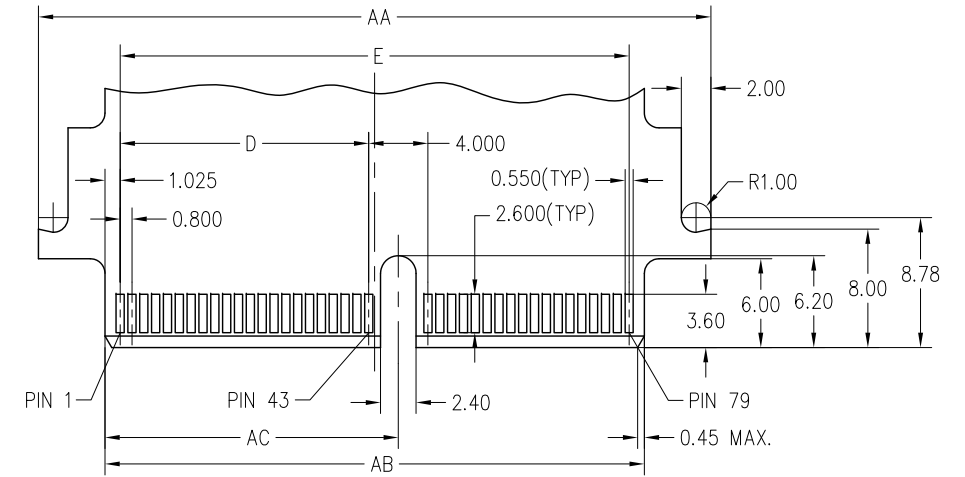
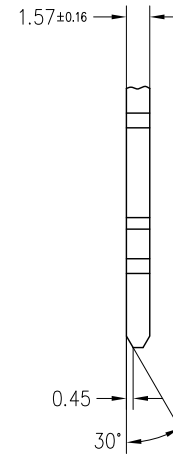
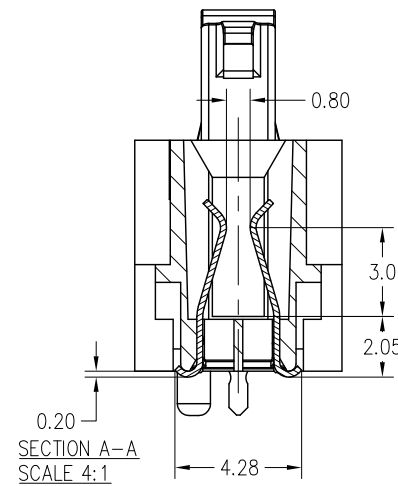
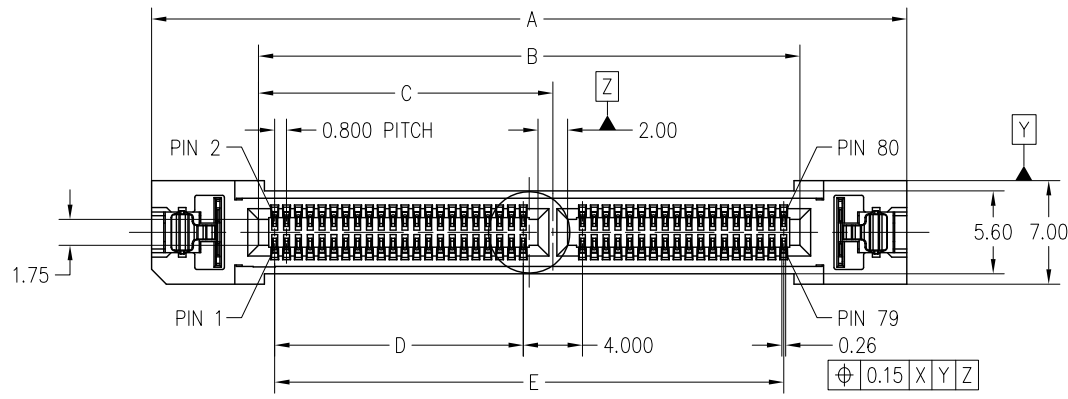


POSITIONS	DIMENSIONS						
	A	B	C	D	E	AA	AB
20	23.85	9.40	7.200	10.20	14.90	18.25	9.25
40	31.85	17.40	15.200	18.20	22.90	26.25	17.25
60	39.85	25.40	23.200	26.20	30.90	34.25	25.25

DESIGN REFERENCE	NEXT ASSEMBLY	REV	ECO	ISSUE DATE AND DESCRIPTION	DRFT	CHKD
DISTRIBUTION CODES		DRFT	K.D. LIU	DATE 05/11/11	MFG	DATE
		CHKD		DATE	APPLY	DATE
DIVISION ESD	DIVISION CODE	© 3M COPYRIGHT This document is the copyrighted property of the 3M Company and may not be reproduced without 3M written permission or used for other than 3M authorized purposes.				
DO NOT SCALE DRAWING	SCALE 2:1	TOLERANCES EXCEPT AS NOTED INCHES .0 ± .00 ± .000 ± .0000 ± MILLIMETERS 0 ± 0.50 .0 ± 0.20 .00 ± 0.10 .000 ± 0.05 ANGLES ± 3°				
THIRD ANGLE PROJECTION	INTERPRET PER ASME Y14.5 - 1994	TITLE SPD08 HIGH SPEED CARD EDGE CONNECTOR, 0.8MM PITCH SMT				
MAX SURFACE ROUGHNESS	<input type="checkbox"/> ALL SURFACES <input checked="" type="checkbox"/> MARKED ONLY	CAGE NUMBER	SIZE C	DRAWING NO. 78-5100-2420-7	REV. B	
		MODEL		DET. LISTS	<input type="checkbox"/> YES <input type="checkbox"/> NO	SHT 3 OF 4

3M™ HIGH SPEED CARD-EDGE CONNECTOR, SPD08 SERIES

FIG. 4
FOR POSITIONS 050, 080, 100, 120,
140, 160, 180, 200, WITH LATCH TYPE
(SHOWN: SPD08-080-L-XX-TR)



POSITIONS	DIMENSIONS									
	A	B	C	D	E	F	G	AA	AB	AC
50	39.05	24.60	7.10	4.000	22.400	25.40	30.10	33.45	24.45	7.025
80	51.05	36.60	19.90	16.800	34.400	37.40	42.10	45.45	36.45	19.825
100	59.05	44.60	23.90	20.800	42.400	45.40	50.10	53.45	44.45	23.825
120	67.05	52.60	27.90	24.800	50.400	53.40	58.10	61.45	52.45	27.825
140	75.05	60.60	27.90	24.800	58.400	61.40	66.10	69.45	60.45	27.825
160	83.05	68.60	27.90	24.800	66.400	69.40	74.10	77.45	68.45	27.825
180	91.05	76.60	27.90	24.800	74.400	77.40	82.10	85.45	76.45	27.825
200	99.05	84.60	27.90	24.800	82.400	85.40	90.10	93.45	84.45	27.825

DESIGN REFERENCE	NEXT ASSEMBLY	REV	ECO	ISSUE DATE AND DESCRIPTION	DRFT	CHKD
DISTRIBUTION CODES		DRFT	K.D. LIU	DATE 05/11'11	MFG	DATE
		CHKD		DATE	APPLY	DATE
DIVISION ESD	DIVISION CODE	© 3M COPYRIGHT This document is the copyrighted property of the 3M Company and may not be reproduced without 3M written permission or used for other than 3M authorized purposes.				
DO NOT SCALE DRAWING	SCALE 2:1					
THIRD ANGLE PROJECTION INTERPRET PER ASME Y14.5 - 1994		TOLERANCES EXCEPT AS NOTED INCHES .0 ± .00 ± .000 ± .0000 ±		TITLE		
MAX SURFACE ROUGHNESS <input type="checkbox"/> ALL SURFACES <input checked="" type="checkbox"/> MARKED ONLY		MILLIMETERS 0 ± 0.50 .0 ± 0.20 .00 ± 0.10 .000 ± 0.05		SPD08 HIGH SPEED CARD EDGE CONNECTOR, 0.8MM PITCH SMT		
ANGLES ± 3°		CAGE NUMBER	SIZE	DRAWING NO.	REV.	
			C	78-5100-2420-7	B	
MODEL				DET. LISTS	<input type="checkbox"/> YES <input type="checkbox"/> NO	SHT 4 OF 4