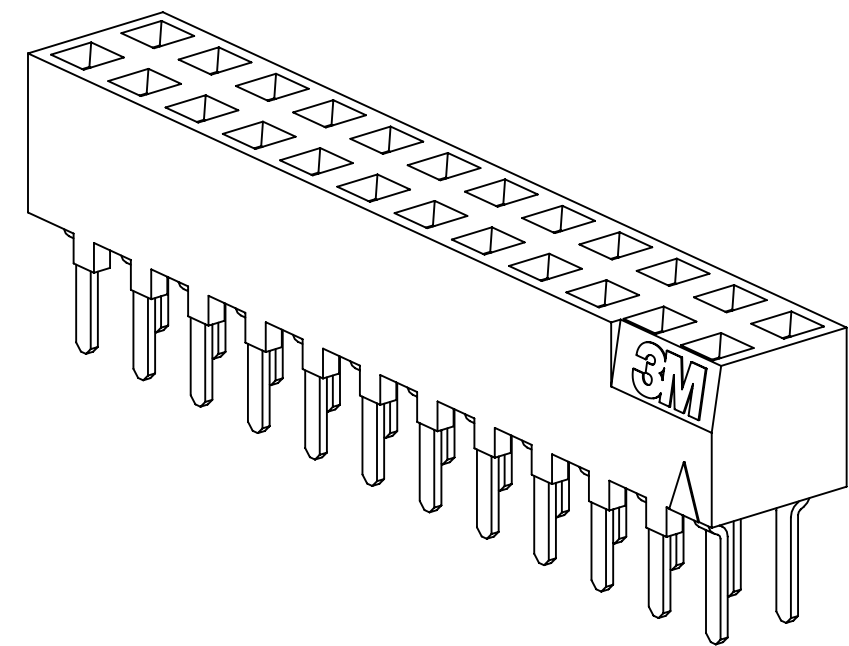
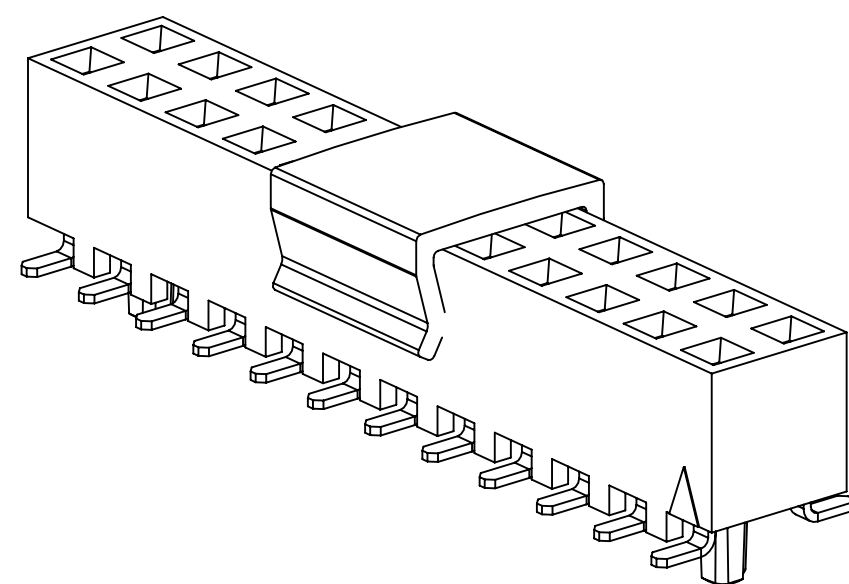


3M™ BOARDMOUNT SOCKET, 1502 SERIES  
 2.00MM X 2.00MM STRAIGHT AND SURFACE MOUNT, PLATED THROUGH HOLE



STRAIGHT  
VERSION



SURFACE MOUNT  
VERSION

2 PHYSICAL :

INSULATOR :  
 MATERIAL : HIGH TEMP THERMOPLASTIC  
 CONTACT :  
 MATERIAL : COPPER ALLOY  
 PLATING :  
 UNDER PLATING : 1.27-3.8µm (50-150µ") NICKEL-OVERALL  
 WIPING : .76µm (30µ") GOLD  
 SOLDER : 5.1µm (200µ") MATTE TIN (RIA E1 & C1 APPLY)  
 FINISHING : ORIENTATION DELTA AND 3M LOGO (EXCEPT SURFACE MOUNT)

2 ELECTRICAL :

CURRENT RATING : 1A  
 VOLTAGE RATING : 150V<sub>AC</sub> PER EIA-364-20  
 INSULATION RESISTANCE : >1 X 10<sup>9</sup> OHM AT 250V<sub>DC</sub>  
 WITHSTANDING VOLTAGE : 500V<sub>DC</sub> AT SEA LEVEL

2 ENVIRONMENTAL :

TEMPERATURE RATING : -55° C TO 105° C  
 PROCESS RATING : MAX. 260° C (PER J-STD-020C)  
 HUMIDITY SENSITIVITY LEVEL : 1 (PER J-STD-020C)

DISCONTINUED 7/17

- NOTES
1. REGULATORY INFORMATION:  
 ROHS COMPLIANT. SEE THE REGULATORY INFORMATION APPENDIX (RIA) IN THE "ROHS COMPLIANCE" SECTION OF WWW.3MCONNECTORS.COM FOR COMPLIANCE INFORMATION.
  2. IN THE EVENT OF CONFLICT BETWEEN THIS DATA AND THAT CONTAINED IN THE PRODUCT SPECIFICATION, THE PRODUCT SPECIFICATION TAKES PRECEDENT.
  3. TAPE & REEL INCLUDE VACUUM PICK-UP CAP FOR PICK 'N PLACE HANDLING EQUIPMENT.
  4. PARTS IN TRAY PACKAGING ARE SUPPLIED WITHOUT VACUUM CAP.
  5. POSITIONS PER ROW, SUBTRACT 1, MULTIPLY BY 2MM SPACING.
  6. OPTIONAL LOCATOR POSTS: POSITIONS PER ROW, MULTIPLY BY 2MM SPACING, THEN SUBTRACT 4MM. POSTS ARE ONLY AVAILABLE FOR POSITIONS 08 AND GREATER.

3M™ ELECTRONICS MATERIALS SOLUTIONS DIVISION  
 INTERCONNECT SOLUTIONS  
<http://www.3mconnectors.com>

3M IS A TRADEMARK OF 3M COMPANY.  
 FOR TECHNICAL, SALES OR ORDERING  
 INFORMATION CALL 800-225-5373

**UL**  
 UL FILE NO: E68080

DIMENSIONS: MM ( INCH )  
 ( INCH ) FOR REF. ONLY

DESIGN REFERENCE	NEXT ASSEMBLY	REV	ECO	ISSUE DATE AND DESCRIPTION	DRFT	CHKD
				SEP 03, 2015 REDRAWN & REMOVED RIGHT ANGLE		
DIVISION	DIVISION CODE	DATE	DATE	DATE	DATE	DATE
	EMSD	SEP 03, 2015	SEP 03, 2015	SEP 03, 2015	SEP 03, 2015	SEP 03, 2015
DO NOT SCALE DRAWING	SCALE	TOLERANCES EXCEPT AS NOTED	© 3M COPYRIGHT 2015 This document and the information it contains are 3M property and may not be reproduced or further distributed without 3M permission, or used or disclosed other than for 3M authorized purposes. All rights reserved.			
	6/1	INCHES .00 ± .01 .000 ± .0005 .0000 ±	TITLE BOARDMOUNT SOCKET, 2MM X 2MM, STRAIGHT & SMT, PAC 20			
THIRD ANGLE PROJECTION	INTERPRET PER ASME Y14.5 - 2009	MILLIMETERS 0 ± .3 .00 ± .13 .000 ±	CAGE NUMBER D78-5100-0519-8			
MAX SURFACE ROUGHNESS	MARKED ONLY	ANGLES	MODEL 1502			
			REV. NUMBER K			
			DET. YES NO SHT 1 OF 3			

78-5100-0519-8  
 DRAWING NUMBER  
 K  
 REVISION  
 1:02 PM UTC-05:00  
 10/15/2015  
 K.2

3M™ BOARDMOUNT SOCKET, 1502 SERIES  
 2.00MM X 2.00MM STRAIGHT AND SURFACE MOUNT, PLATED THROUGH HOLE

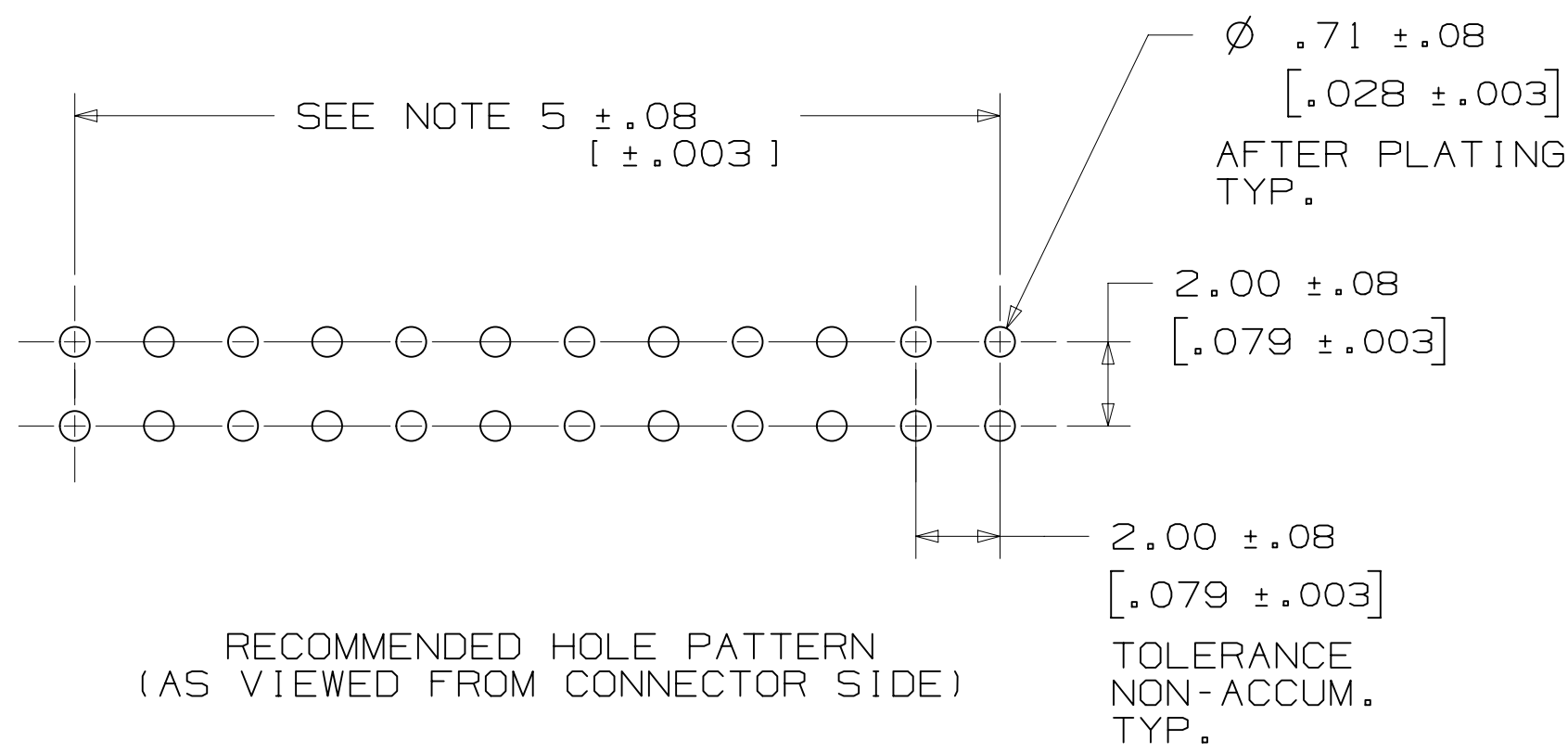
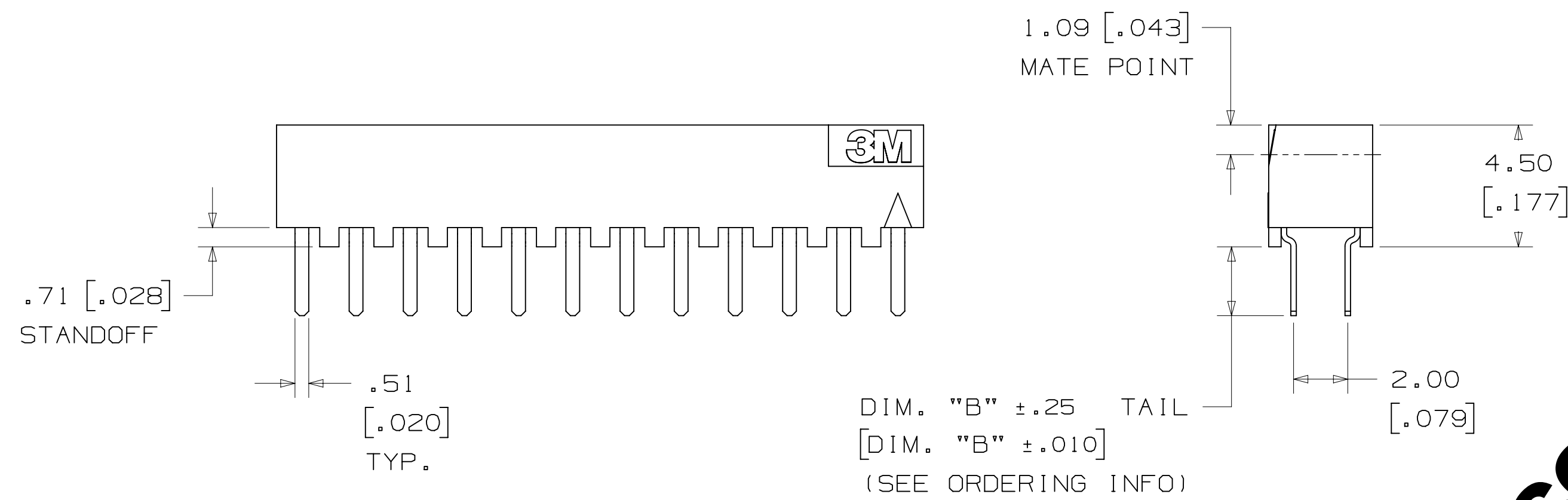
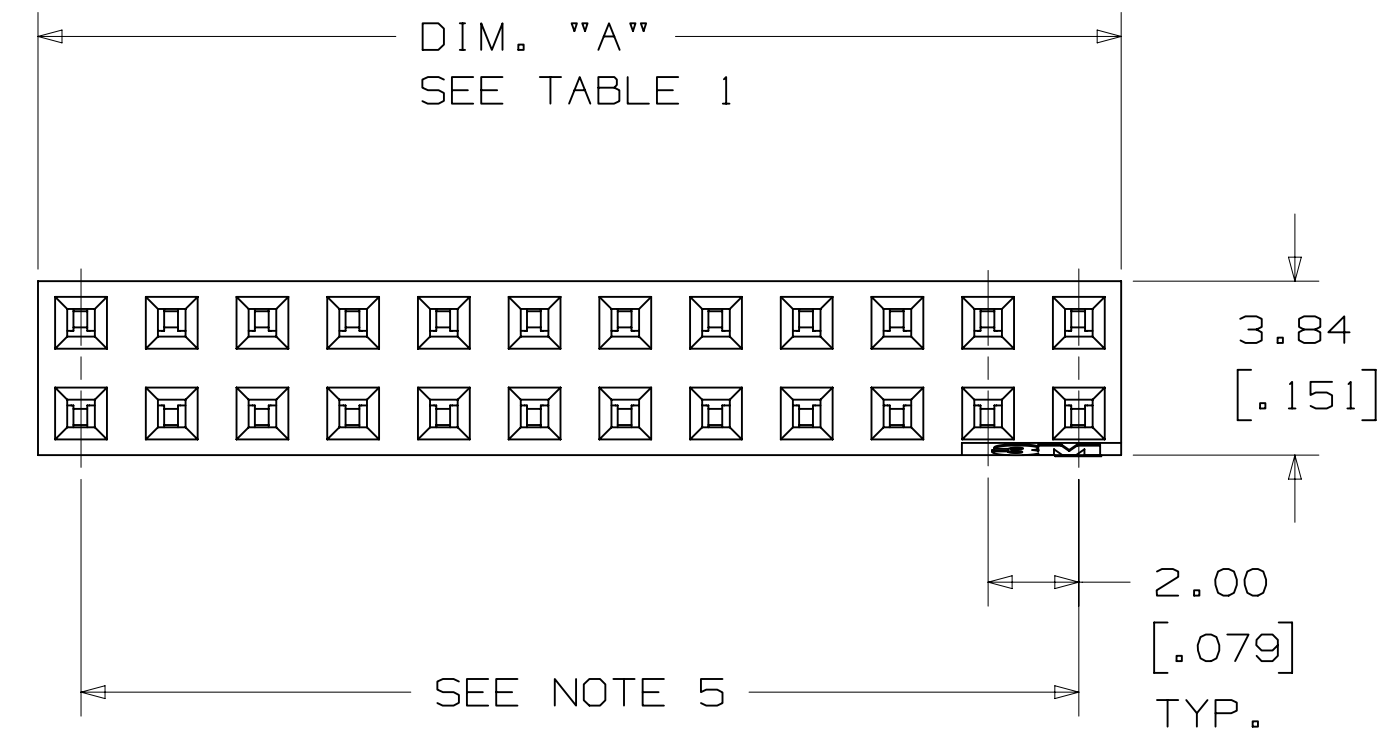


TABLE 1	
CONTACT QTY.	DIM. "A"
04	3.96 [ .156 ]
06	5.87 [ .231 ]
08	7.87 [ .310 ]
10	9.88 [ .389 ]
12	11.86 [ .467 ]
14	13.87 [ .546 ]
16	15.88 [ .625 ]
18	17.88 [ .704 ]
20	19.86 [ .782 ]
22	21.87 [ .861 ]
24	23.88 [ .940 ]
26	25.88 [ 1.019 ]
28	27.86 [ 1.097 ]
30	29.87 [ 1.176 ]
32	31.88 [ 1.255 ]
34	33.88 [ 1.334 ]
36	35.86 [ 1.412 ]
38	37.87 [ 1.491 ]
40	39.88 [ 1.570 ]
42	41.88 [ 1.649 ]
44	43.87 [ 1.727 ]
46	45.87 [ 1.806 ]
48	47.88 [ 1.885 ]
50	49.89 [ 1.964 ]
52	51.87 [ 2.042 ]
54	53.87 [ 2.121 ]
56	55.88 [ 2.200 ]
58	57.86 [ 2.278 ]
60	59.87 [ 2.357 ]

DISCONTINUED 1/17

ORDERING INFORMATION  
 STRAIGHT  
 1502XX-600X-RB

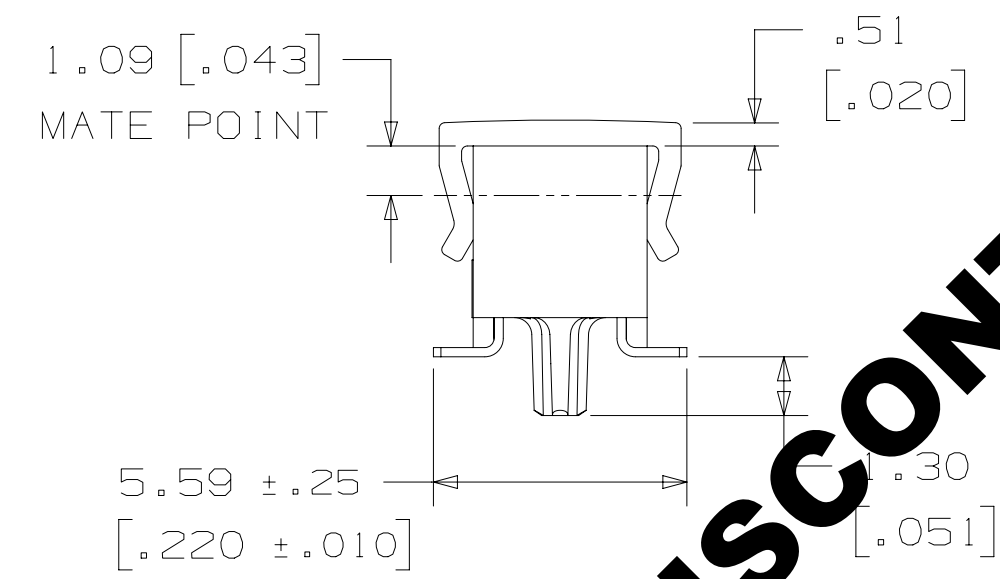
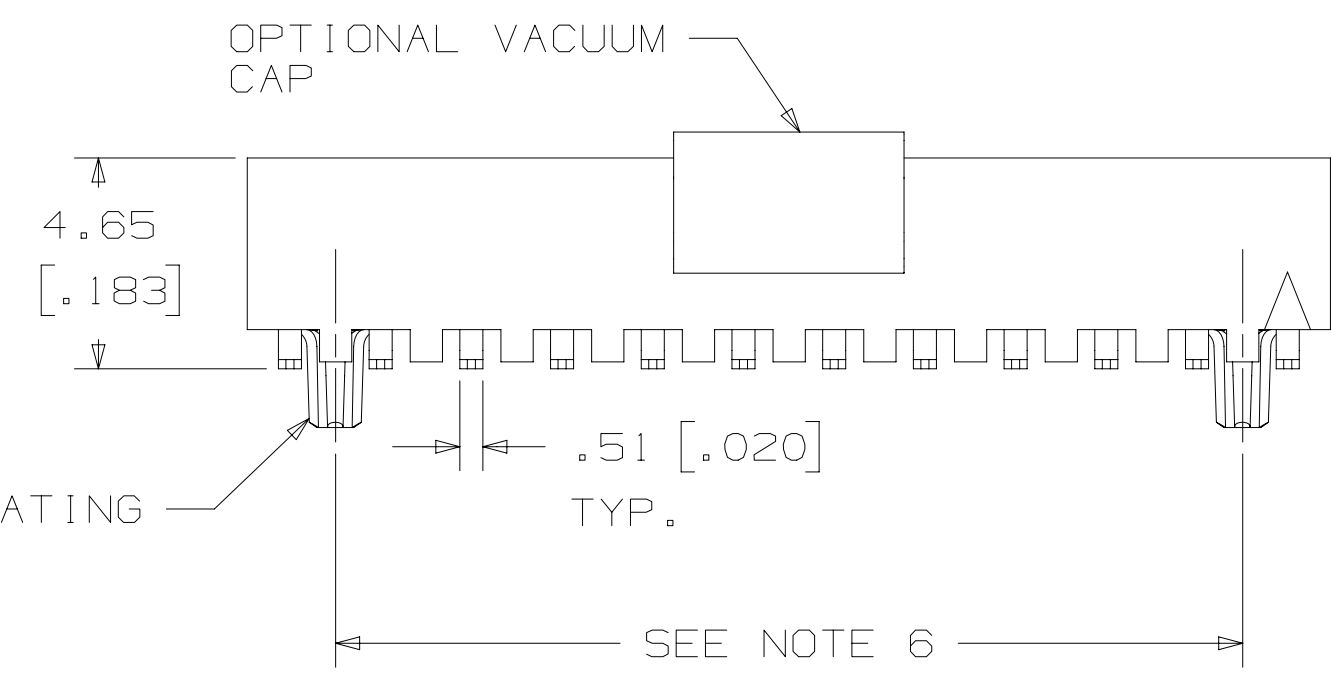
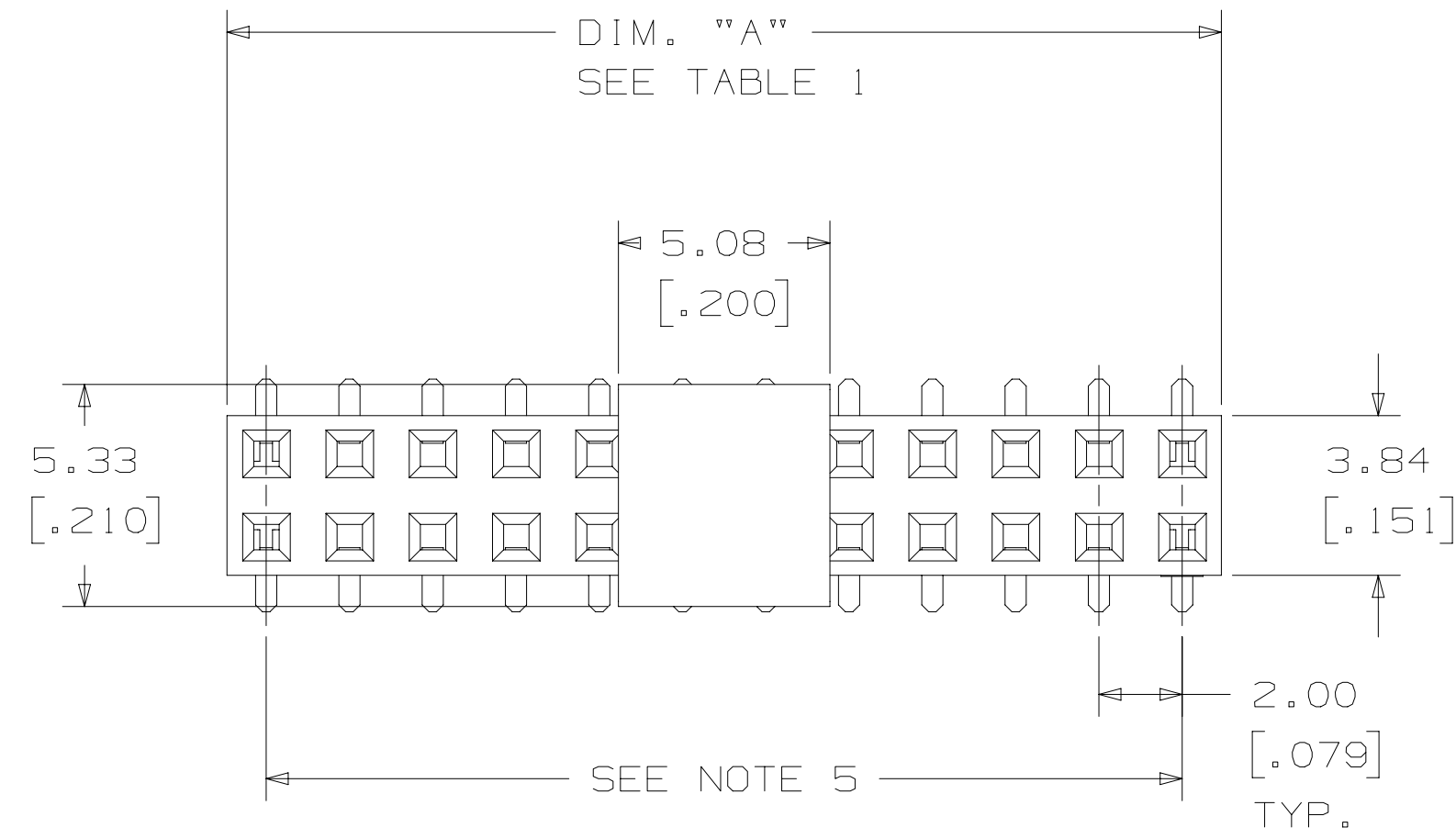
CONTACT QTY.:  
 SEE TABLE 1

SOLDER TAIL LENGTH:  
 DIMENSION "B"  
 1 = 1.4MM (SPECIAL ORDER)  
 2 = 2.54MM (STANDARD)

DESIGN REFERENCE	NEXT ASSEMBLY	REV	ECO	ISSUE DATE AND DESCRIPTION	DRFT	CHKD
				SEP 03, 2015 REDRAWN & REMOVED RIGHT ANGLE		
APPROVED	DATE	APPROVED	DATE	© 3M COPYRIGHT 2015 This document and the information it contains are 3M property and may not be reproduced or further distributed without 3M permission, or used or disclosed other than for 3M authorized purposes. All rights reserved.		
APPROVED	SEP 03, 2015	APPROVED	SEP 03, 2015			
DO NOT SCALE DRAWING SCALE 6/1 TOLERANCES EXCEPT AS NOTED INCHES .00 ± .01 .000 ± .005 .0000 ±		MILLIMETERS 0 ± .3 .00 ± .13 .000 ±		TITLE BOARDMOUNT SOCKET, 2MM X 2MM, STRAIGHT & SMT, PAC 20		
THIRD ANGLE PROJECTION INTERPRET PER ASME Y14.5 - 2009		MAX SURFACE ROUGHNESS UNFINISHED SURFACES MARKED ONLY		CAGE NUMBER D78-5100-0519-8 MODEL 1502		
				REV. 1 DET. [ ] YES [X] NO [ ] SHT 2 OF 3		

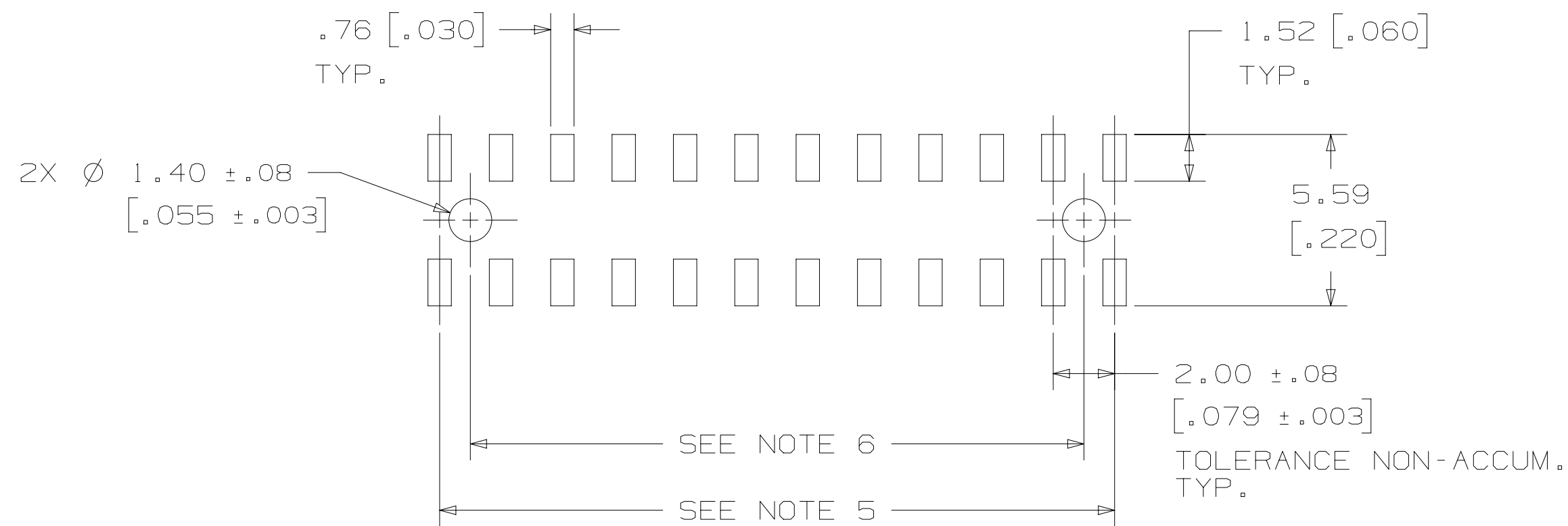
K 63282 SEP 03, 2015 JNC ARM  
 78-5100-0519-8  
 10/15/2015 1:02 PM UTC-05:00

3M™ BOARDMOUNT SOCKET, 1502 SERIES  
 2.00MM X 2.00MM STRAIGHT AND SURFACE MOUNT, PLATED THROUGH HOLE



**DISCONTINUED 1/17**

CONTACT QTY.	DIM. "A"	TAPE WIDTH	ORDER CODE
04	3.96 [ .156 ]	N/A	N/A
06	5.87 [ .231 ]	N/A	N/A
08	7.87 [ .310 ]	24 MM	WB
10	9.88 [ .389 ]	24 MM	WB
12	11.86 [ .467 ]	24 MM	WB
14	13.87 [ .546 ]	24 MM	WB
16	15.88 [ .625 ]	24 MM	WB
18	17.88 [ .704 ]	44 MM	WD
20	19.86 [ .782 ]	44 MM	WD
22	21.87 [ .861 ]	44 MM	WD
24	23.88 [ .940 ]	44 MM	WD
26	25.88 [ 1.019 ]	44 MM	WD
28	27.86 [ 1.097 ]	44 MM	WD
30	29.87 [ 1.176 ]	44 MM	WD
32	31.88 [ 1.255 ]	56 MM	WE
34	33.88 [ 1.334 ]	56 MM	WE
36	35.86 [ 1.412 ]	56 MM	WE
38	37.87 [ 1.491 ]	56 MM	WE
40	39.88 [ 1.570 ]	56 MM	WE
42	41.88 [ 1.649 ]	56 MM	WE
44	43.87 [ 1.727 ]	72 MM	WF
46	45.87 [ 1.806 ]	72 MM	WF
48	47.88 [ 1.885 ]	72 MM	WF
50	49.89 [ 1.964 ]	72 MM	WF
52	51.87 [ 2.042 ]	72 MM	WF
54	53.87 [ 2.121 ]	72 MM	WF
56	55.88 [ 2.200 ]	72 MM	WF
58	57.86 [ 2.278 ]	88 MM	WG
60	59.87 [ 2.357 ]	88 MM	WG



RECOMMENDED PAD PATTERN  
 (AS VIEWED FROM CONNECTOR SIDE)

ORDERING INFORMATION  
 SURFACE MOUNT  
 1502XX-20X0-RB-XX

CONTACT QTY.:  
 SEE TABLE 1

BOARD LOCATION POST:  
 0 = NONE (STANDARD)  
 2 = WITH BOARD LOCATION POSTS  
 (SPECIAL ORDER)

PACKAGING STYLE:  
 BLANK = TRAY PACKAGING  
 WX = TAPE & REEL PACKAGING  
 (SEE TABLE 1 FOR ORDERING CODE)

DESIGN REFERENCE	NEXT ASSEMBLY	REV	ECO	ISSUE DATE AND DESCRIPTION	DRFT	CHKD
				SEP 03, 2015 REDRAWN & REMOVED RIGHT ANGLE	JNC	ARM
		DRFT	CASTIGLIONE	DATE SEP 03, 2015	MFG	DATE
		CHKD		DATE	APPV	DATE
					G. MATHEWS	SEP 03, 2015
DIVISION		DIVISION CODE		EMSD		
DO NOT SCALE DRAWING	SCALE 6 1	TOLERANCES EXCEPT AS NOTED		© 3M COPYRIGHT 2015 This document and the information it contains are 3M property and may not be reproduced or further distributed without 3M permission, or used or disclosed other than for 3M authorized purposes. All rights reserved.		
THIRD ANGLE PROJECTION		INCHES		TITLE BOARDMOUNT SOCKET, 2MM X 2MM, STRAIGHT & SMT, PAC 20		
INTERPRET PER ASME Y14.5 - 2009		MILLIMETERS		CAGE NUMBER D 78-5100-0519-8		
MAX. SURFACE ROUGHNESS		ANGLES		DRAWING NO. 78-5100-0519-8		
<input checked="" type="checkbox"/> ALL SURFACES				REV. K		
<input checked="" type="checkbox"/> MARKED ONLY				MODEL 1502		
				DET 1515		
				YES <input checked="" type="checkbox"/> NO <input type="checkbox"/> SHT 3 OF 3		

K REVISION  
 78-5100-0519-8 DRAWING NUMBER  
 B  
 A  
 10/15/2015 1:02 PM UTC-05:00