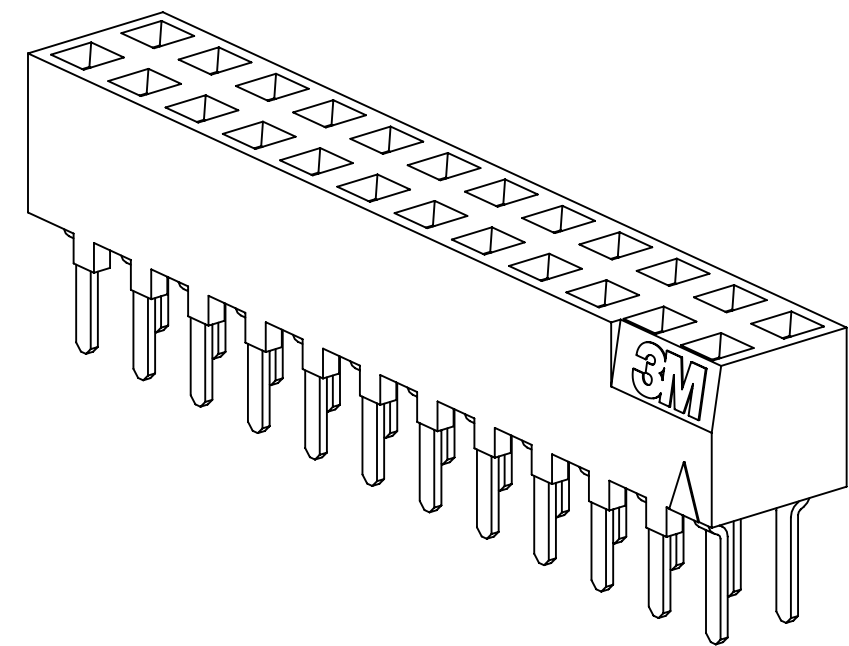
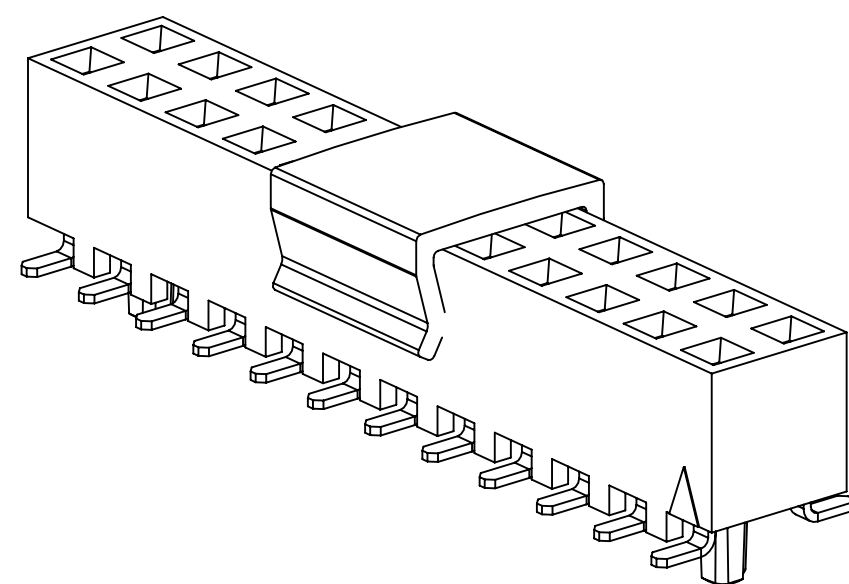


3M™ BOARDMOUNT SOCKET, 1502 SERIES
 2.00MM X 2.00MM STRAIGHT AND SURFACE MOUNT, PLATED THROUGH HOLE



STRAIGHT
VERSION



SURFACE MOUNT
VERSION

2 PHYSICAL :

INSULATOR : HIGH TEMP THERMOPLASTIC
 MATERIAL : COPPER ALLOY
 CONTACT :
 MATERIAL : COPPER ALLOY
 PLATING :
 UNDER PLATING : 1.27-3.8µm (50-150µ") NICKEL-OVERALL
 WIPING : .76µm (30µ") GOLD
 SOLDER : 5.1µm (200µ") MATTE TIN (RIA E1 & C1 APPLY)
 FINISHING : ORIENTATION DELTA AND 3M LOGO (EXCEPT SURFACE MOUNT)

2 ELECTRICAL :

CURRENT RATING : 1A
 VOLTAGE RATING : 150V_{AC} PER EIA-364-20
 INSULATION RESISTANCE : >1 X 10⁹ OHM AT 250V_{DC}
 WITHSTANDING VOLTAGE : 500V_{DC} AT SEA LEVEL

2 ENVIRONMENTAL :

TEMPERATURE RATING : -55° C TO 105° C
 PROCESS RATING : MAX. 260° C (PER J-STD-020C)
 HUMIDITY SENSITIVITY LEVEL : 1 (PER J-STD-020C)

DISCONTINUED 7/17

- NOTES
1. REGULATORY INFORMATION: ROHS COMPLIANT. SEE THE REGULATORY INFORMATION APPENDIX (RIA) IN THE "ROHS COMPLIANCE" SECTION OF WWW.3MCONNECTORS.COM FOR COMPLIANCE INFORMATION.
 2. IN THE EVENT OF CONFLICT BETWEEN THIS DATA AND THAT CONTAINED IN THE PRODUCT SPECIFICATION, THE PRODUCT SPECIFICATION TAKES PRECEDENT.
 3. TAPE & REEL INCLUDE VACUUM PICK-UP CAP FOR PICK 'N PLACE HANDLING EQUIPMENT.
 4. PARTS IN TRAY PACKAGING ARE SUPPLIED WITHOUT VACUUM CAP.
 5. POSITIONS PER ROW, SUBTRACT 1, MULTIPLY BY 2MM SPACING.
 6. OPTIONAL LOCATOR POSTS: POSITIONS PER ROW, MULTIPLY BY 2MM SPACING, THEN SUBTRACT 4MM. POSTS ARE ONLY AVAILABLE FOR POSITIONS 08 AND GREATER.

3M™ ELECTRONICS MATERIALS SOLUTIONS DIVISION
 INTERCONNECT SOLUTIONS
<http://www.3mconnectors.com>

3M IS A TRADEMARK OF 3M COMPANY.
 FOR TECHNICAL, SALES OR ORDERING
 INFORMATION CALL 800-225-5373

UL
 UL FILE NO: E68080

DIMENSIONS: MM (INCH)
 (INCH) FOR REF. ONLY

DESIGN REFERENCE	NEXT ASSEMBLY	REV	ECO	ISSUE DATE AND DESCRIPTION	DRFT	CHKD
				SEP 03, 2015 REDRAWN & REMOVED RIGHT ANGLE		
APPROVED	DATE	APPROVED	DATE	APPROVED	DATE	APPROVED
CASTIGLIONE	SEP 03, 2015	G. MATHEWS	SEP 03, 2015			
DIVISION		DIVISION CODE		TITLE		
EMSD		EMSD		BOARDMOUNT SOCKET, 2MM X 2MM, STRAIGHT & SMT, PAC 20		
DO NOT SCALE DRAWING	SCALE 6/1	TOLERANCES EXCEPT AS NOTED		CAGE NUMBER		
		INCHES		D78-5100-0519-8		
		MILLIMETERS		REV. K		
THIRD ANGLE PROJECTION	INTERPRET PER ASME Y14.5 - 2009	0 ± .01 .000 ± .0005 .0000 ±		MODEL 1502		
		0 ± .3 .00 ± .13 .000 ±		SHT 1 OF 3		
MAX SURFACE ROUGHNESS	MARKED ONLY	ANGLES				

78-5100-0519-8 K
 10/15/2015 1:02 PM UTC-05:00

3M™ BOARDMOUNT SOCKET, 1502 SERIES
 2.00MM X 2.00MM STRAIGHT AND SURFACE MOUNT, PLATED THROUGH HOLE

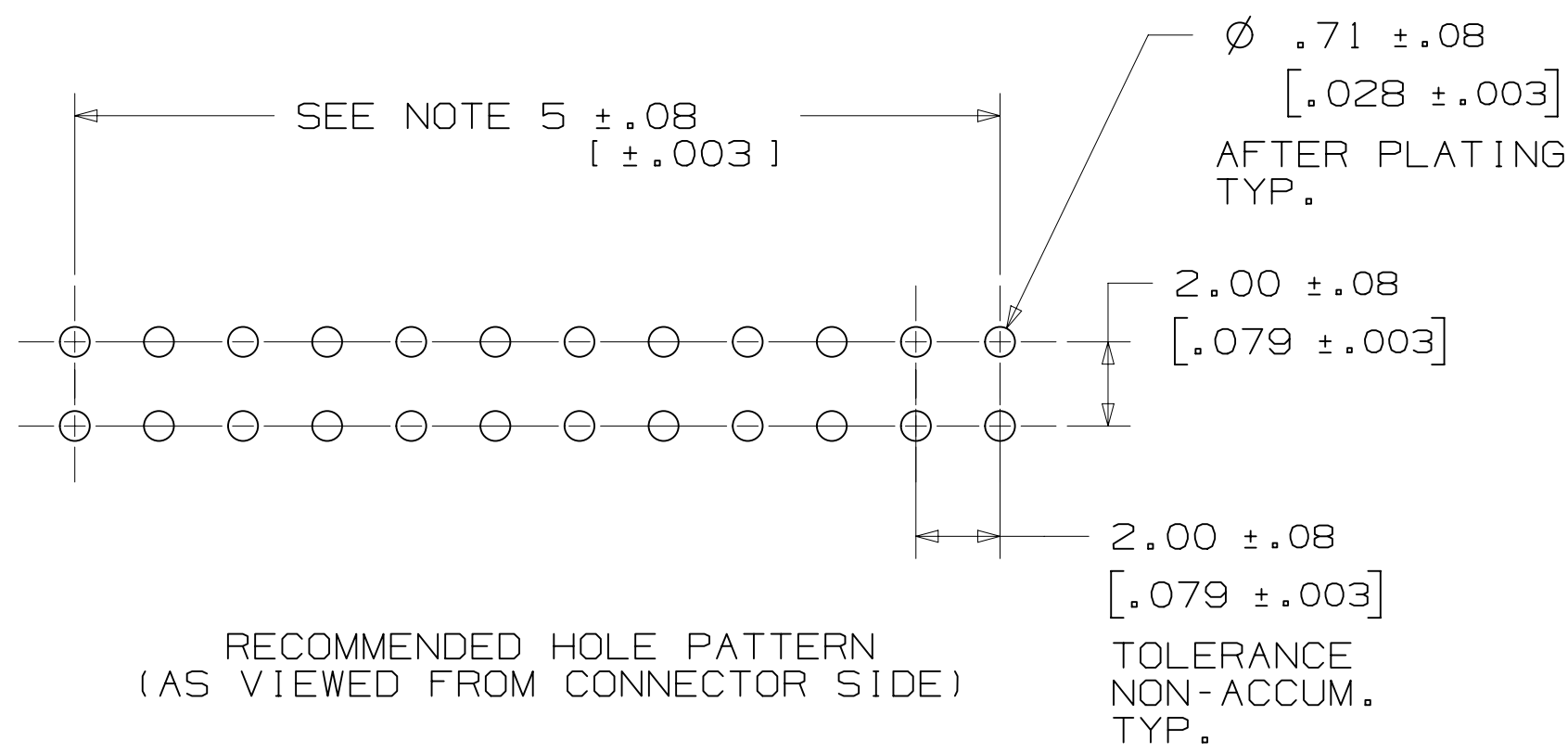
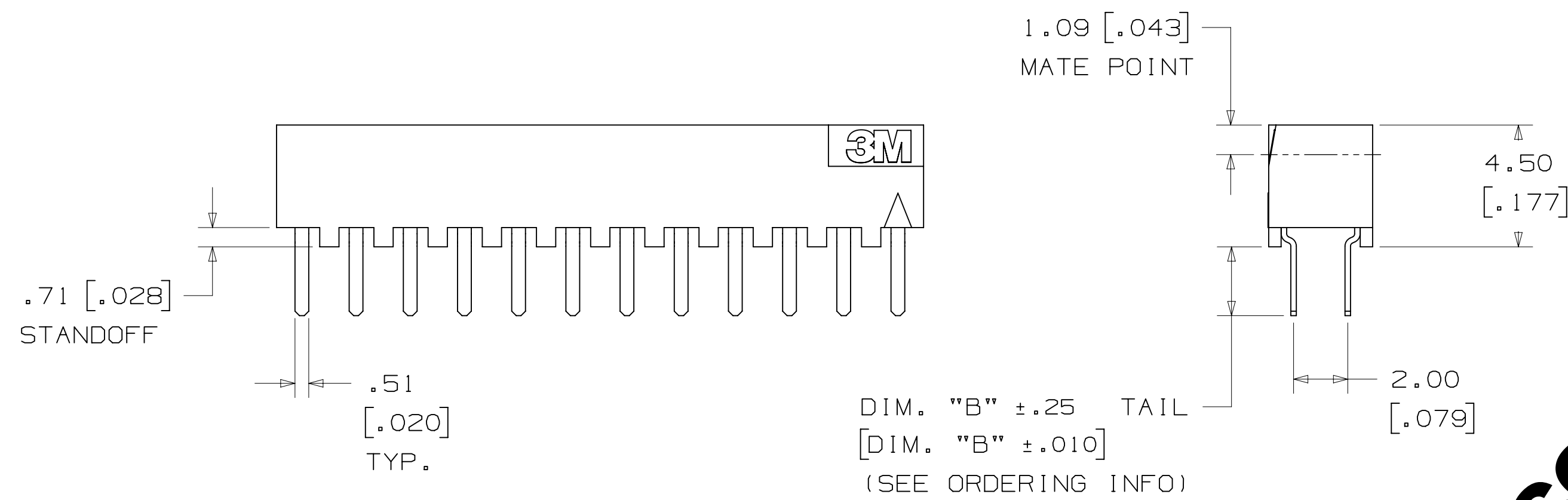
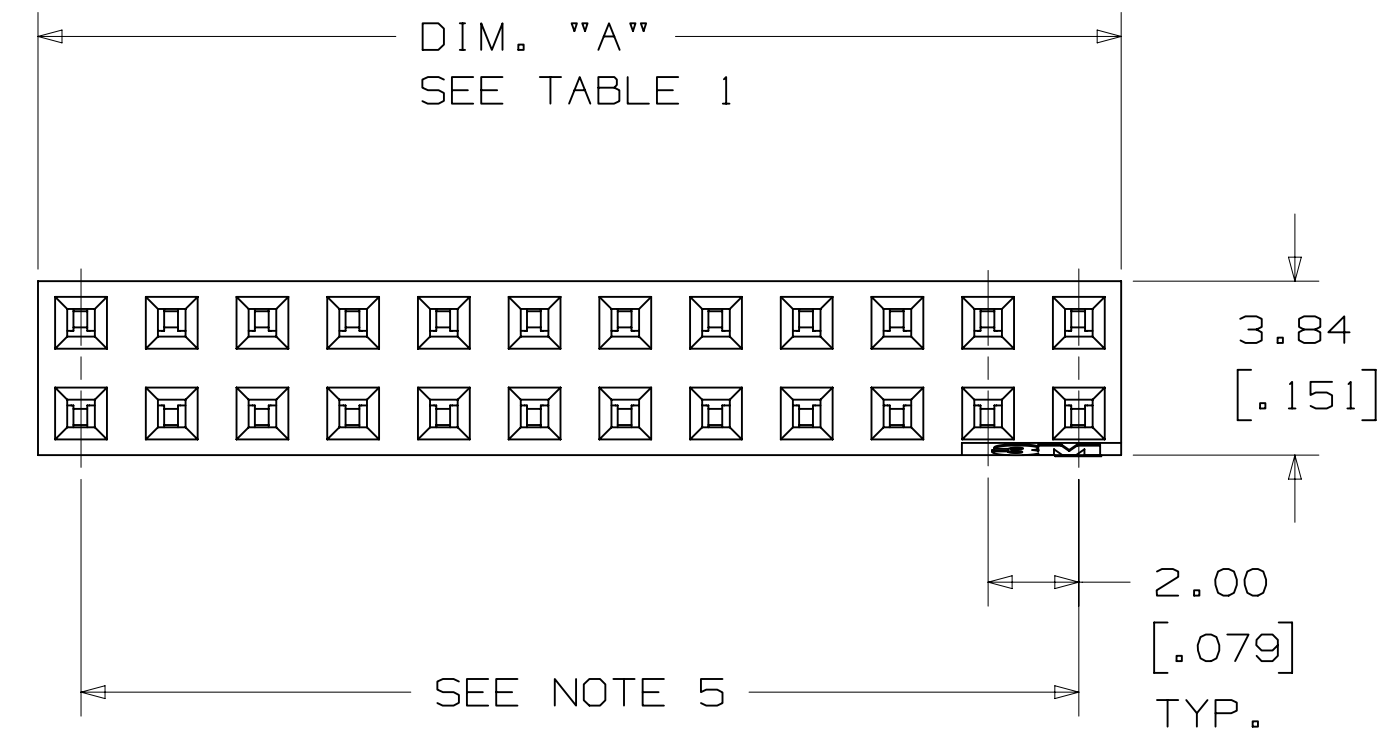


TABLE 1	
CONTACT QTY.	DIM. "A"
04	3.96 [.156]
06	5.87 [.231]
08	7.87 [.310]
10	9.88 [.389]
12	11.86 [.467]
14	13.87 [.546]
16	15.88 [.625]
18	17.88 [.704]
20	19.86 [.782]
22	21.87 [.861]
24	23.88 [.940]
26	25.88 [1.019]
28	27.86 [1.097]
30	29.87 [1.176]
32	31.88 [1.255]
34	33.88 [1.334]
36	35.86 [1.412]
38	37.87 [1.491]
40	39.88 [1.570]
42	41.88 [1.649]
44	43.87 [1.727]
46	45.87 [1.806]
48	47.88 [1.885]
50	49.89 [1.964]
52	51.87 [2.042]
54	53.87 [2.121]
56	55.88 [2.200]
58	57.86 [2.278]
60	59.87 [2.357]

DISCONTINUED 1/17

ORDERING INFORMATION
 STRAIGHT
 1502XX-600X-RB

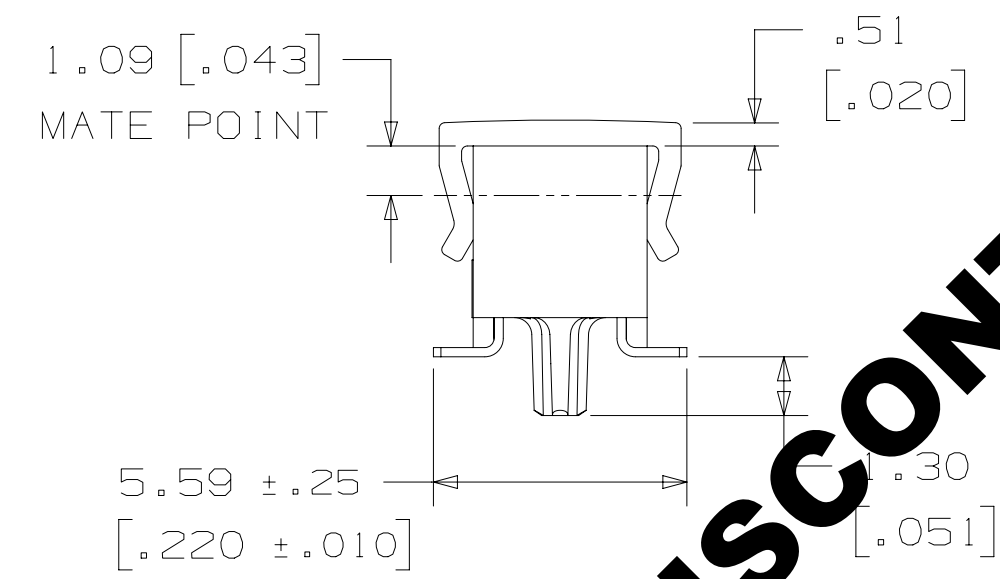
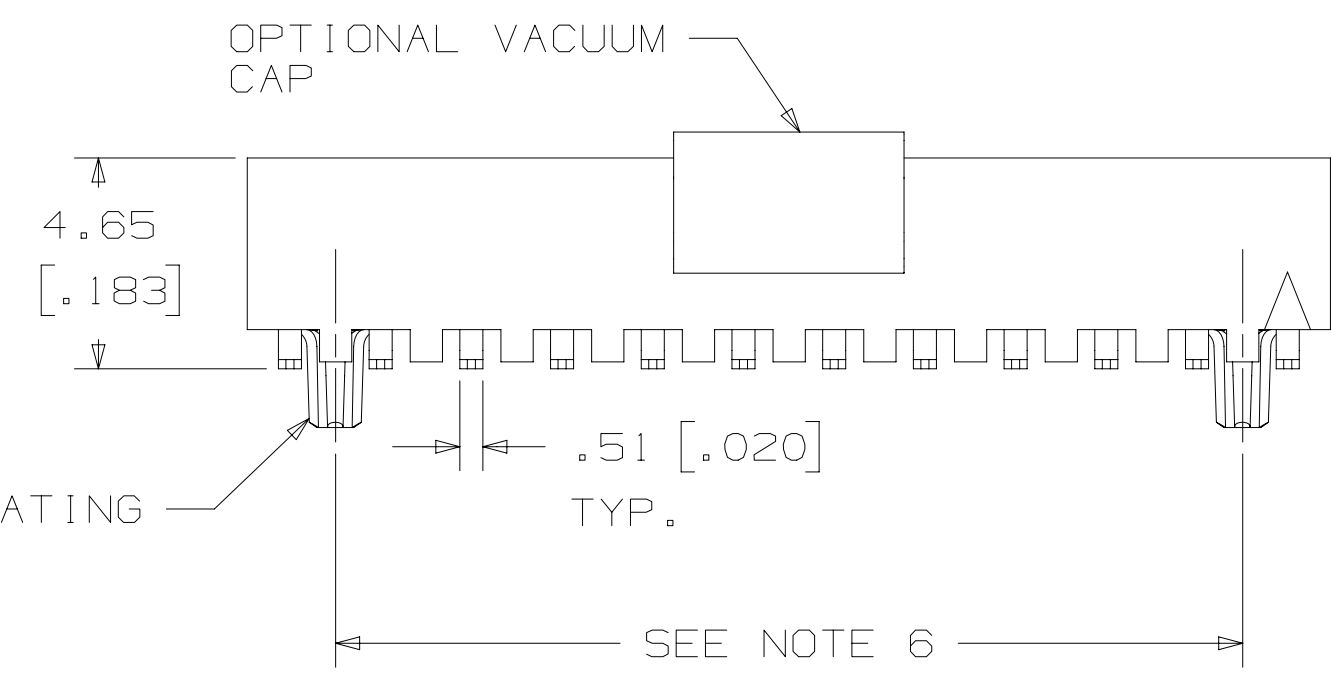
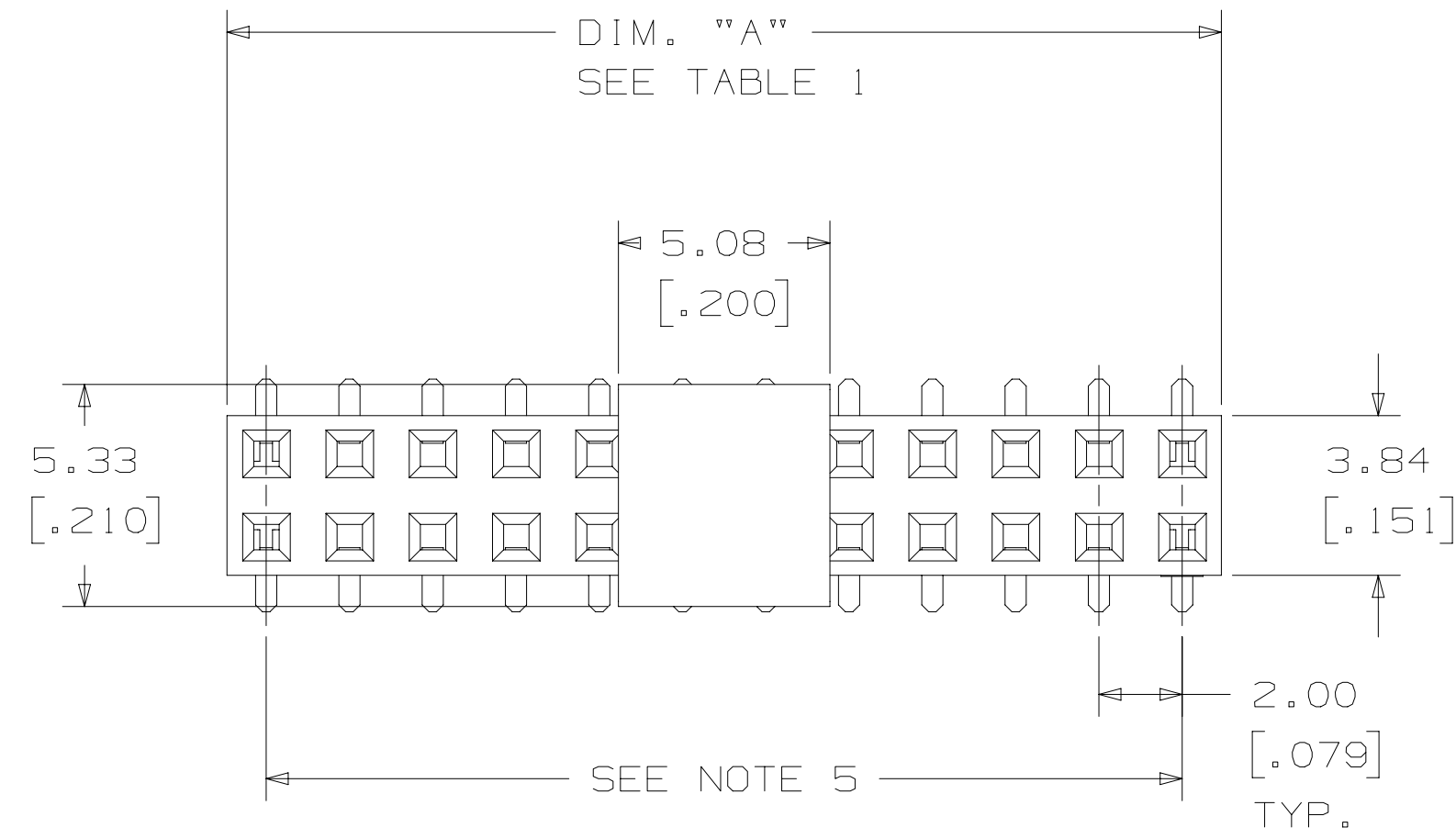
CONTACT QTY.:
 SEE TABLE 1

SOLDER TAIL LENGTH:
 DIMENSION "B"
 1 = 1.4MM (SPECIAL ORDER)
 2 = 2.54MM (STANDARD)

DESIGN REFERENCE	NEXT ASSEMBLY	REV	ECO	ISSUE DATE AND DESCRIPTION	DRFT	CHKD
				SEP 03, 2015 REDRAWN & REMOVED RIGHT ANGLE		
APPROVED	DATE	APPROVED	DATE	© 3M COPYRIGHT 2015 This document and the information it contains are 3M property and may not be reproduced or further distributed without 3M permission, or used or disclosed other than for 3M authorized purposes. All rights reserved.		
APPROVED	SEP 03, 2015	APPROVED	SEP 03, 2015	TITLE BOARDMOUNT SOCKET, 2MM X 2MM, STRAIGHT & SMT, PAC 20		
DO NOT SCALE DRAWING	SCALE 6/1	TOLERANCES EXCEPT AS NOTED	INCHES .00 ± .01 .000 ± .005 .0000 ±			
THIRD ANGLE PROJECTION	INTERPRET PER ASME Y14.5 - 2009	MILLIMETERS	0 ± .3 .00 ± .13 .000 ±			
MAX SURFACE ROUGHNESS	MARKED SURFACES	MARKED ONLY	CAGE NUMBER	SIZE	DRAWING NO.	REV.
			D78-5100-0519-8	K	1502	1
			DET	YES	NO	SHT 2 OF 3

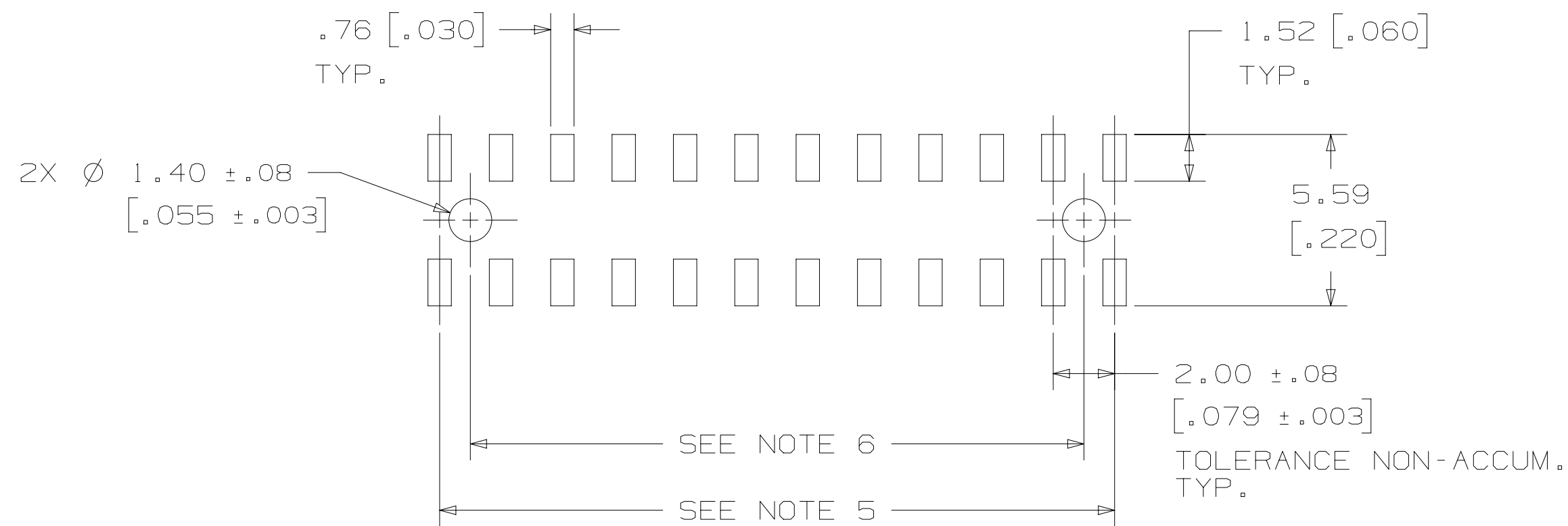
Imaged: K.2 10/15/2015 1:02 PM UTC-05:00

3M™ BOARDMOUNT SOCKET, 1502 SERIES
 2.00MM X 2.00MM STRAIGHT AND SURFACE MOUNT, PLATED THROUGH HOLE



DISCONTINUED 1/17

CONTACT QTY.	DIM. "A"	TAPE WIDTH	ORDER CODE
04	3.96 [.156]	N/A	N/A
06	5.87 [.231]	N/A	N/A
08	7.87 [.310]	24 MM	WB
10	9.88 [.389]	24 MM	WB
12	11.86 [.467]	24 MM	WB
14	13.87 [.546]	24 MM	WB
16	15.88 [.625]	24 MM	WB
18	17.88 [.704]	44 MM	WD
20	19.86 [.782]	44 MM	WD
22	21.87 [.861]	44 MM	WD
24	23.88 [.940]	44 MM	WD
26	25.88 [1.019]	44 MM	WD
28	27.86 [1.097]	44 MM	WD
30	29.87 [1.176]	44 MM	WD
32	31.88 [1.255]	56 MM	WE
34	33.88 [1.334]	56 MM	WE
36	35.86 [1.412]	56 MM	WE
38	37.87 [1.491]	56 MM	WE
40	39.88 [1.570]	56 MM	WE
42	41.88 [1.649]	56 MM	WE
44	43.87 [1.727]	72 MM	WF
46	45.87 [1.806]	72 MM	WF
48	47.88 [1.885]	72 MM	WF
50	49.89 [1.964]	72 MM	WF
52	51.87 [2.042]	72 MM	WF
54	53.87 [2.121]	72 MM	WF
56	55.88 [2.200]	72 MM	WF
58	57.86 [2.278]	88 MM	WG
60	59.87 [2.357]	88 MM	WG



RECOMMENDED PAD PATTERN
 (AS VIEWED FROM CONNECTOR SIDE)

ORDERING INFORMATION
 SURFACE MOUNT
 1502XX-20X0-RB-XX

CONTACT QTY.:
 SEE TABLE 1

BOARD LOCATION POST:
 0 = NONE (STANDARD)
 2 = WITH BOARD LOCATION POSTS
 (SPECIAL ORDER)

PACKAGING STYLE:
 BLANK = TRAY PACKAGING
 WX = TAPE & REEL PACKAGING
 (SEE TABLE 1 FOR ORDERING CODE)

DESIGN REFERENCE	NEXT ASSEMBLY	REV	ECO	ISSUE DATE AND DESCRIPTION	DRFT	CHKD
				SEP 03, 2015 REDRAWN & REMOVED RIGHT ANGLE		
APPROVED	DATE	DATE	DATE	DATE	DATE	DATE
DIVISION	DIVISION CODE	© 3M COPYRIGHT 2015 This document and the information it contains are 3M property and may not be reproduced or further distributed without 3M permission, or used or disclosed other than for 3M authorized purposes. All rights reserved.				
DO NOT SCALE DRAWING	SCALE 6/1	TOLERANCES EXCEPT AS NOTED INCHES .00 ±.01 .000 ±.005 .0000 ±				
THIRD ANGLE PROJECTION	INTERPRET PER ASME Y14.5 - 2009	MILLIMETERS 0 ± .00 ±.13 .000 ±				
MAX SURFACE ROUGHNESS	ALL SURFACES	CAGE NUMBER D 78-5100-0519-8 MODEL 1502 DET 151s YES NO SHT 3 OF 3				
MARKED ONLY	ANGLES					

K REVISION
 78-5100-0519-8 DRAWING NUMBER
 B
 A
 10/15/2015 1:02 PM UTC-05:00