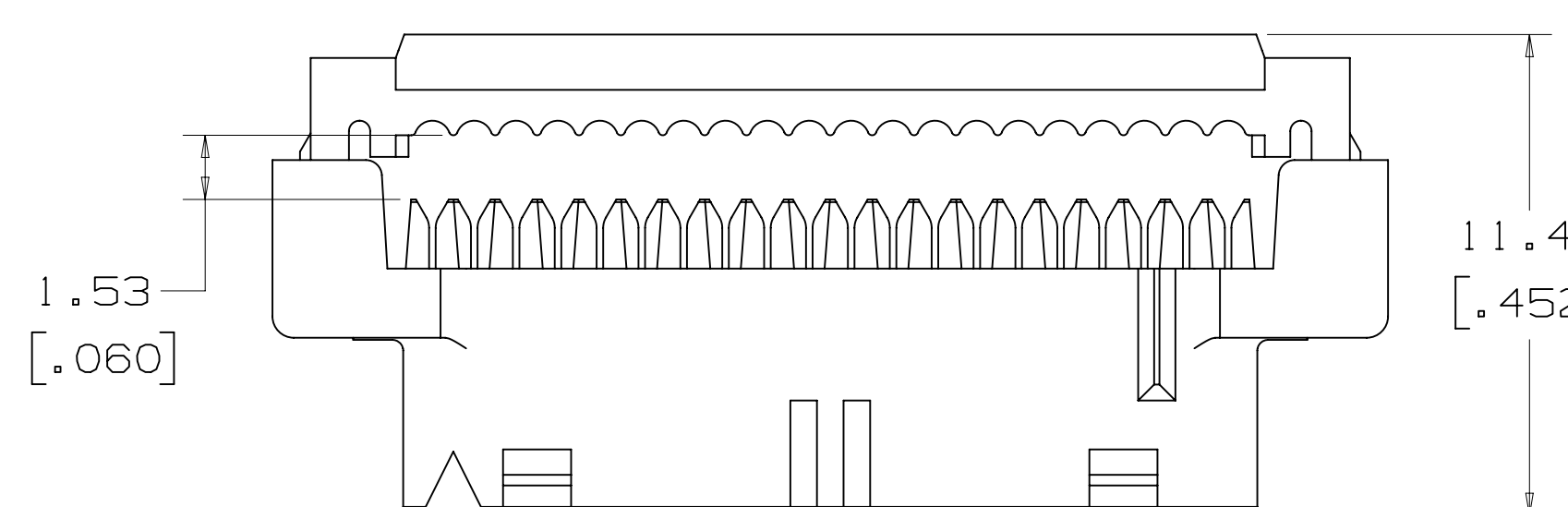
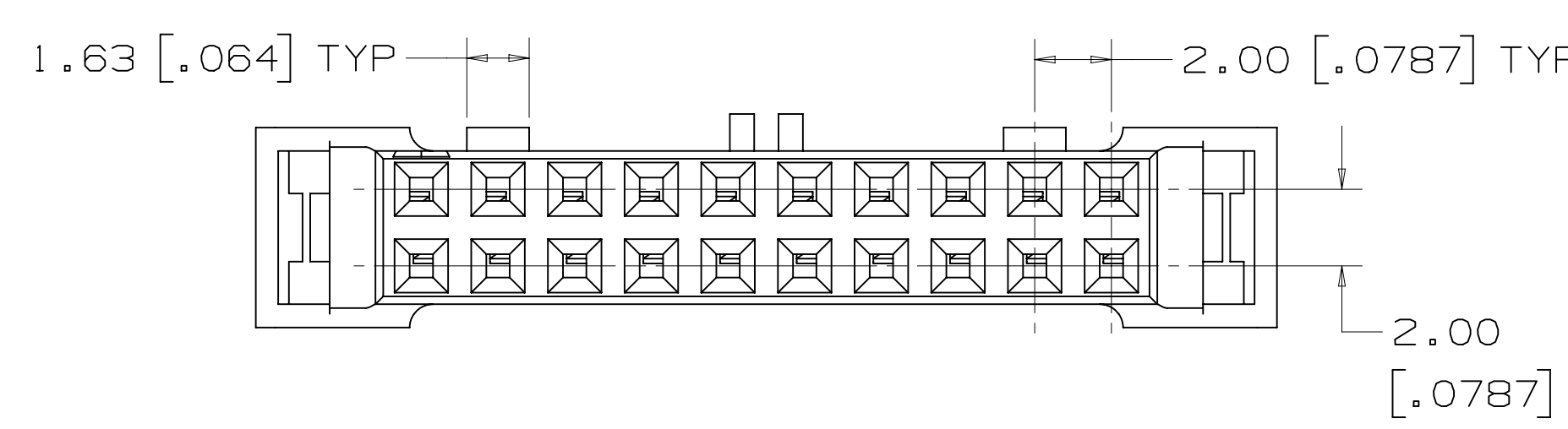
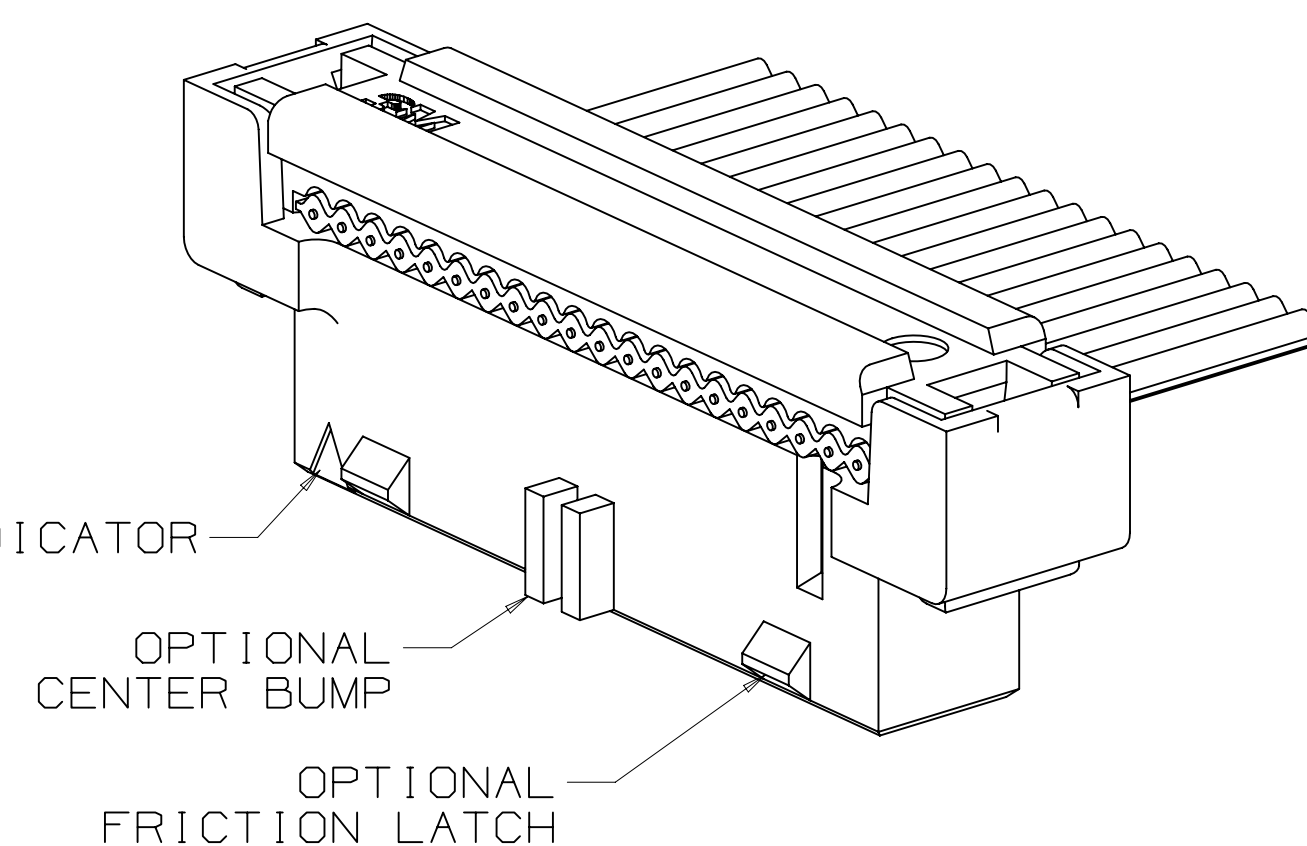
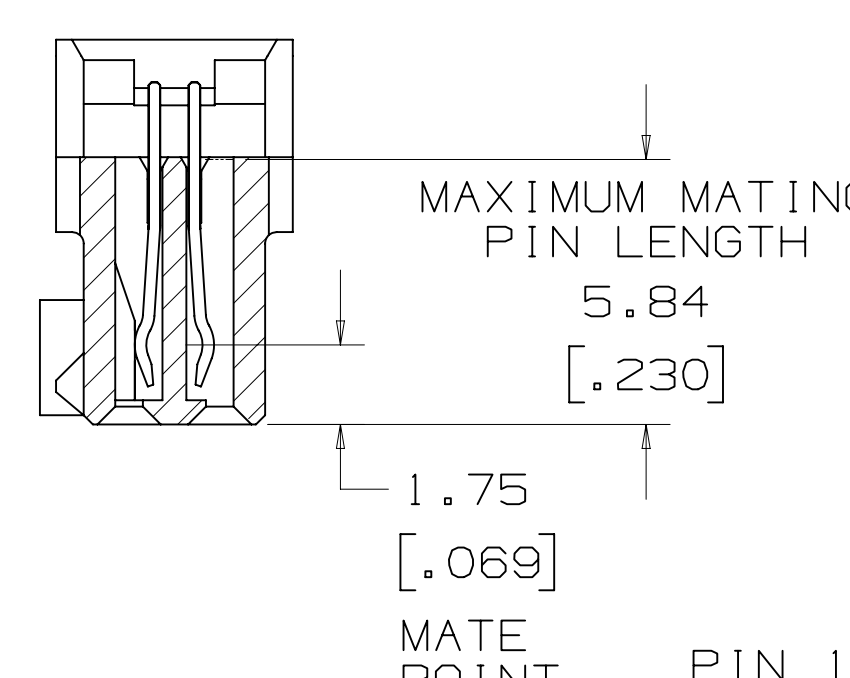
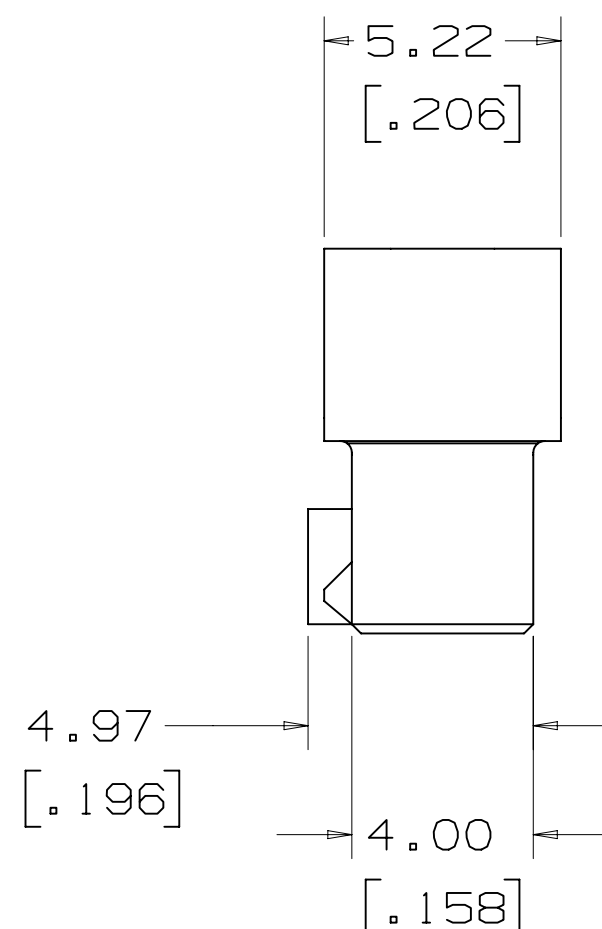
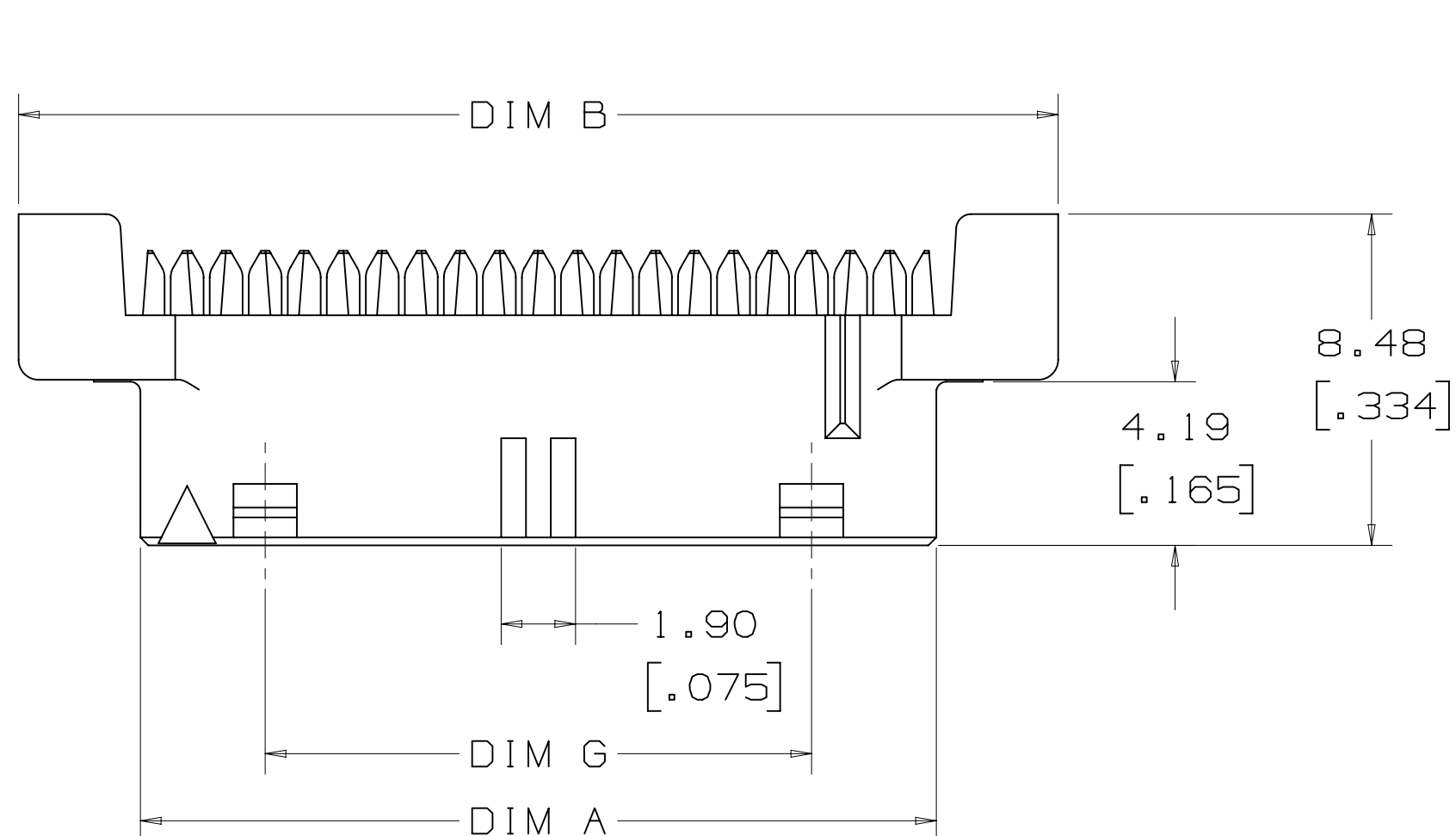
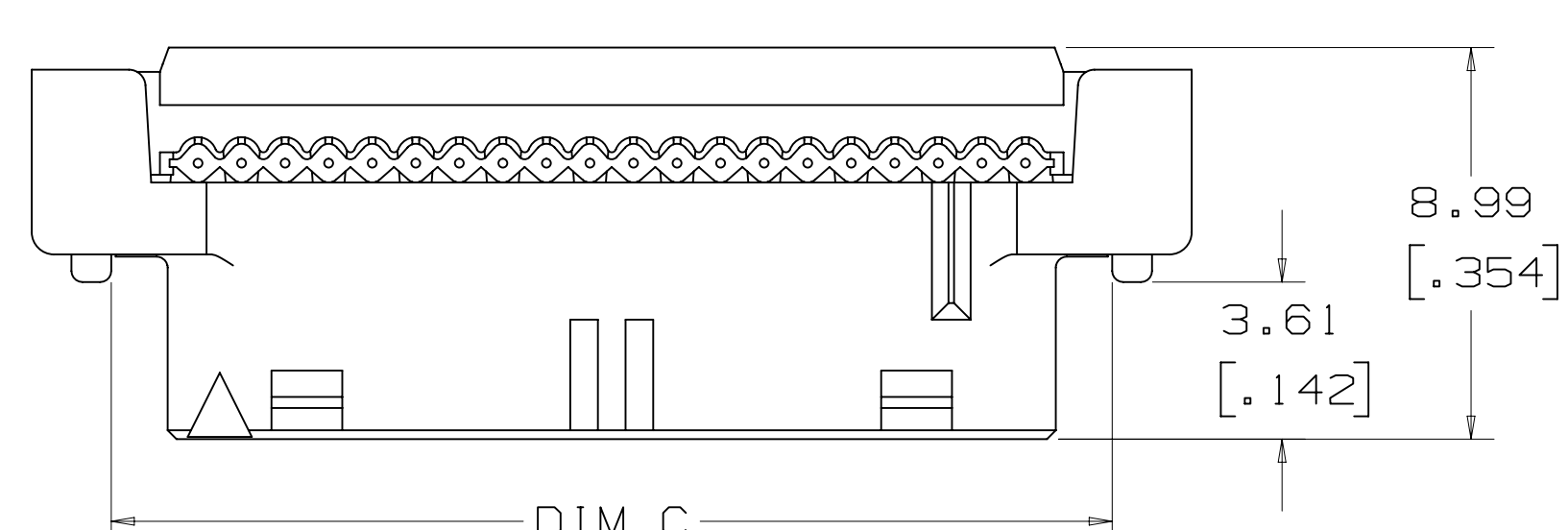


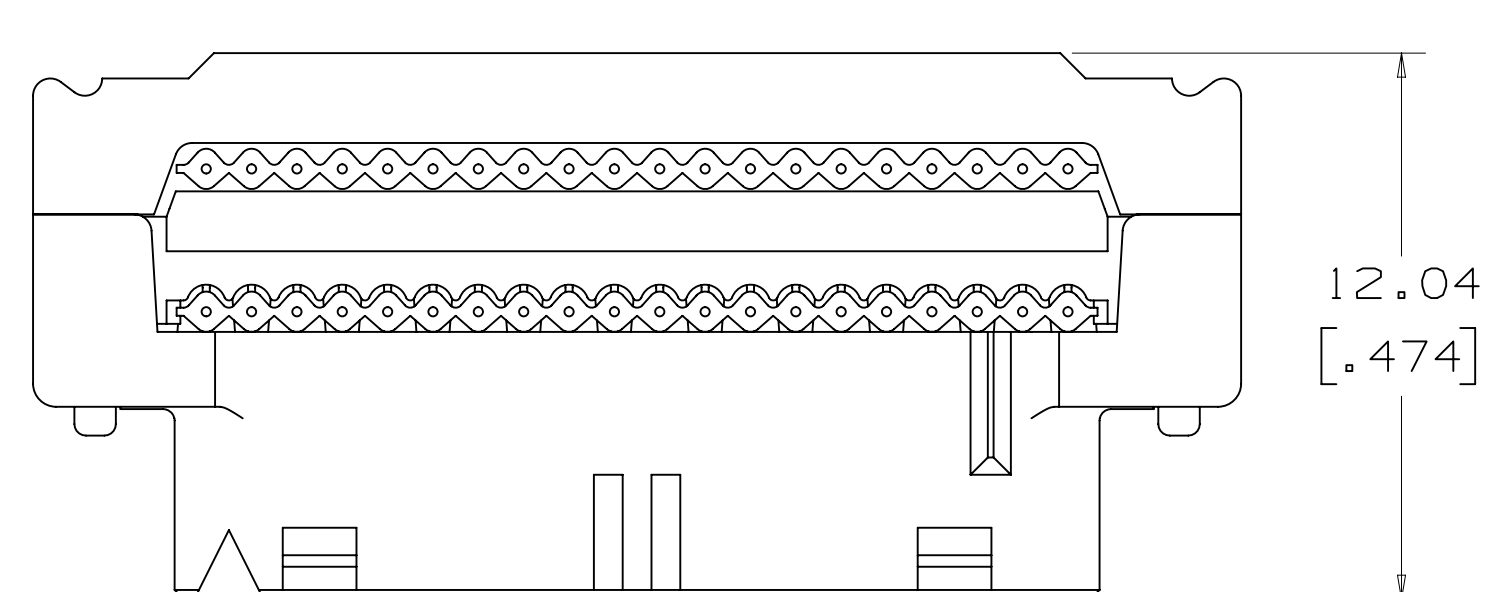
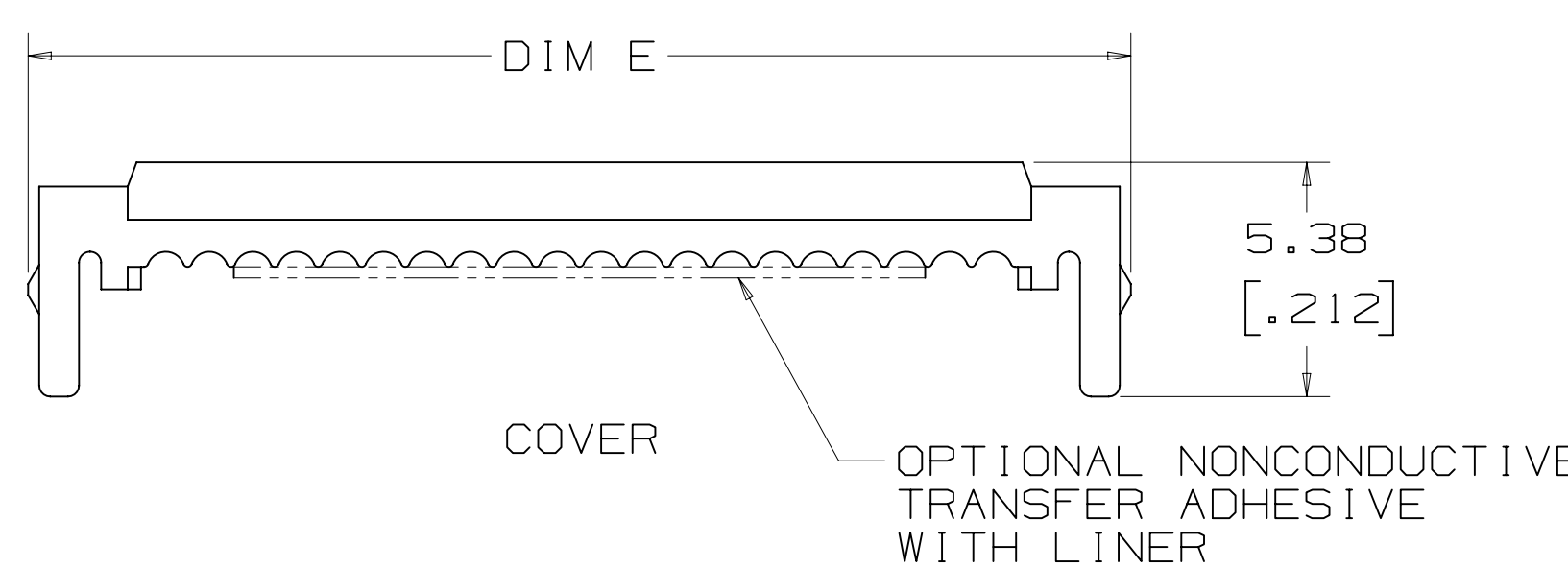
3M™ Ribbon Cable Socket 2 mm X 2 mm Pitch 158 Series



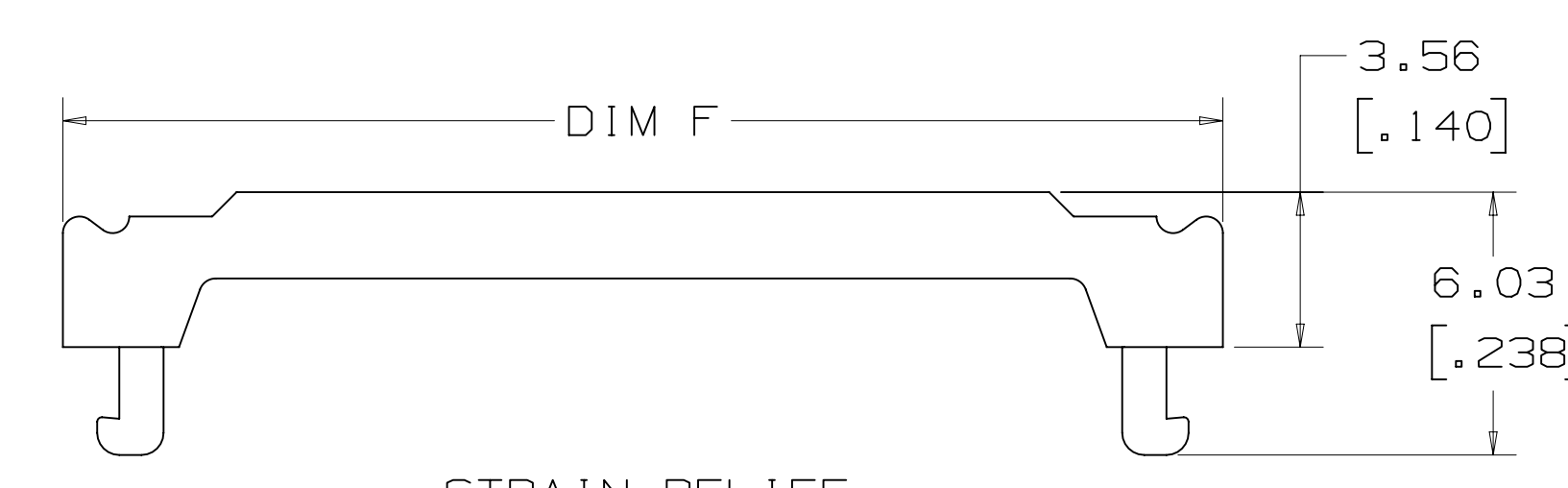
PREASSEMBLED HEIGHT WITH COVER



ASSEMBLED HEIGHT WITH COVER



ASSEMBLED HEIGHT WITH COVER AND STRAIN RELIEF



STRAIN RELIEF

NOTES

- 1 MATERIAL:  
BODY: HIGH TEMP GLASS FILLED POLYESTER, GRAY UL94V-0  
CONTACTS: COPPER ALLOY
- 2 PLATING:  
2.03-3.81 μm [80-150 μin] NICKEL UNDERPLATE  
0.38 μm [15 μin] OR 0.76 μm [30 μin] AVG GOLD ON WIPING AREA.
- 3 RIBBON CABLE:  
RECOMMENDED: 3M™ 3625 (28 AWG, 7 STRAND).
- 4 APPLICATION TOOLS:  
3460 PRESS (OR EQUIVALENT) 3443-119 LOCATOR PLATE, 3442-9 PLATEN  
SEE 3M INSTRUCTION SHEET 78-9101-2810-3.
- 5 MATES WITH 3M™ HEADERS 159 SERIES (REFERENCE 3M DRAWING 78-5100-2359-7). (0.51 mm [.020 in] SQ, CROWNED PINS).
- 6 SEE THE REGULATORY INFORMATION APPENDIX (RIA) IN THE "RoHS COMPLIANCE" SECTION OF WWW.3MCONNECTOR.COM FOR COMPLIANCE INFORMATION (RIA E1 & C1 APPLY).
- 7 FOR PRODUCT SPECIFICATIONS AND WARRANTY INFORMATION SEE 3M 78-5102-0078-1.
- 8 IN THE EVENT OF CONFLICT BETWEEN THIS DATA AND THAT CONTAINED IN THE PRODUCT SPECIFICATION, THE PRODUCT SPECIFICATION TAKES PRECEDENT.

PERFORMANCE [7][8]	
CURRENT:	1A, 6 LINES ENERGIZED
INSULATION RESISTANCE:	>1X10 <sup>9</sup> OHMS AT 500 VDC
WITHSTANDING VOLTAGE:	500 VACrms AT SEA LEVEL
TEMPERATURE RATING:	-55°C TO +105°C

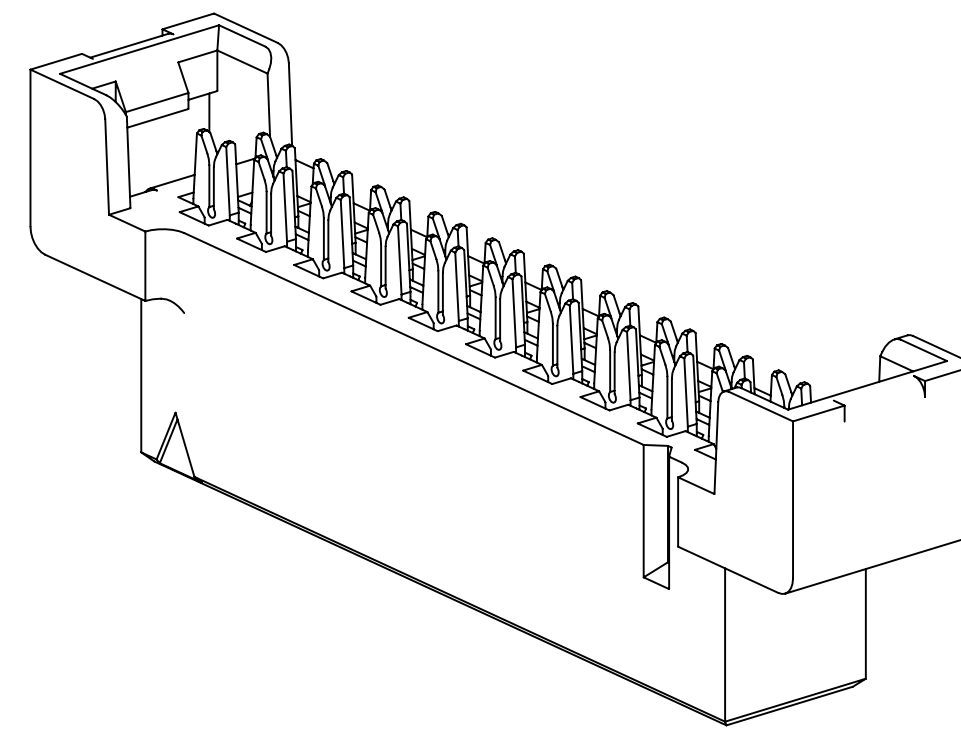
DESIGN REFERENCE	NEXT ASSEMBLY	REV	ECO	ISSUE DATE AND DESCRIPTION	DRFT	CHKD
DIVISION	DIVISION CODE	DATE	DATE	DATE	DATE	DATE
DO NOT SCALE DRAWING	SCALE 6-1	TOLERANCES EXCEPT AS NOTED				
THIRD ANGLE PROJECTION	INTERPRET PER ASME Y14.5 - 1994	MILLIMETERS	© 3M COPYR [GHT] 2010 This document and the information it contains are 3M property and may not be reproduced or further distributed without 3M permission, or used or disclosed other than for 3M authorized purposes. All rights reserved.			
MAX SURFACE ROUGHNESS	ALL SURFACES	INCHES	TITLE 3M RIBBON CABLE SOCKET 2 MM x 2 MM PITCH 158 SERIES			
125	<input checked="" type="checkbox"/> MARKED ONLY	ANGLES ±1°	CAGE NUMBER	SIZE	DRAWING NO.	REV.
			D	78-5100-2358-9	B	B
			MODEL	ISS	YES	NO
						SHT 1 OF 2

METRIC [ ENGLISH ]

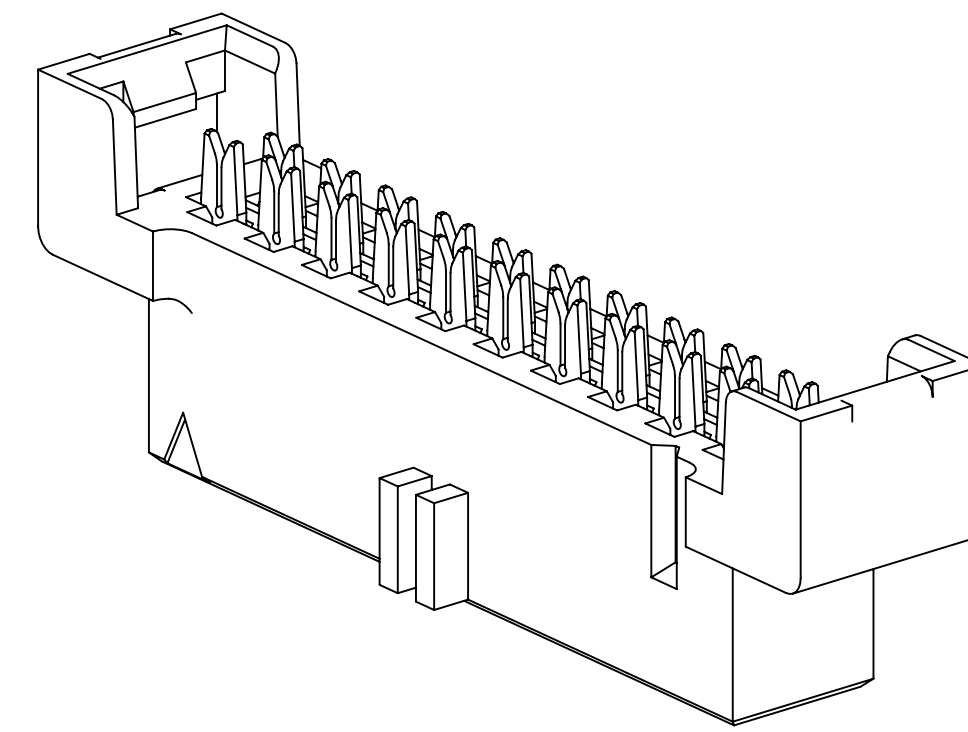
78-5100-2358-9

# 3M™ Ribbon Cable Socket 2 mm X 2 mm Pitch 158 Series

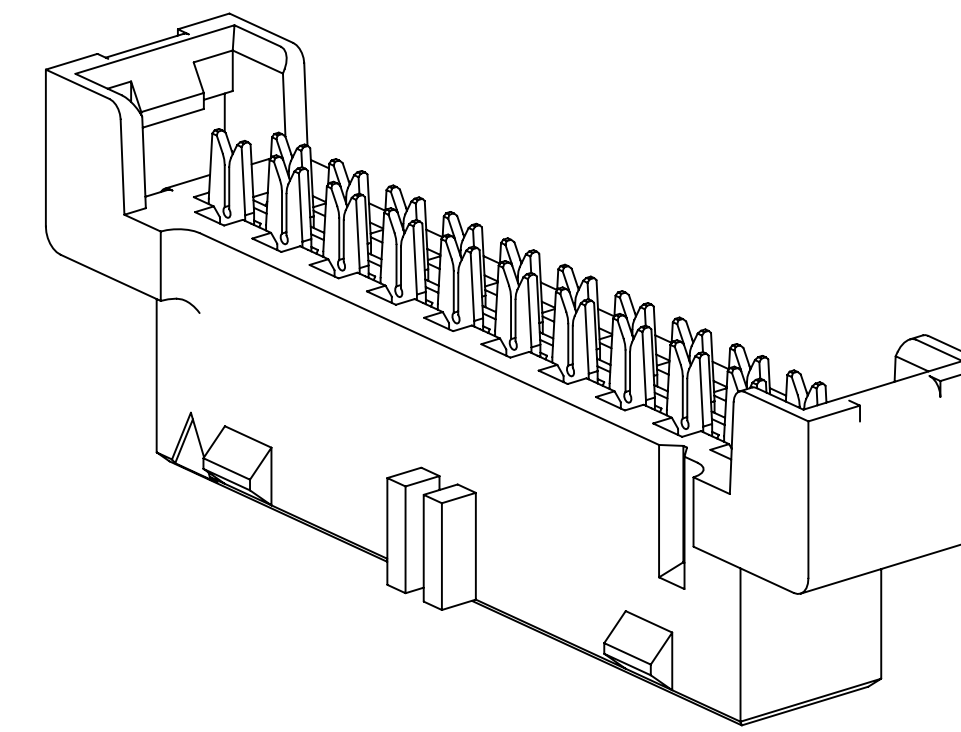
NUMBER OF POSITIONS	DIM A	DIM B	DIM C	DIM D	DIM E	DIM F	DIM G
6	6.39 [ .252 ]	12.64 [ .497 ]	8.98 [ .354 ]	10.81 [ .426 ]	11.32 [ .446 ]	12.64 [ .497 ]	N/A
8	8.39 [ .330 ]	14.64 [ .576 ]	10.98 [ .432 ]	12.81 [ .504 ]	13.32 [ .524 ]	14.64 [ .576 ]	N/A
10	10.39 [ .409 ]	16.64 [ .655 ]	12.98 [ .511 ]	14.81 [ .583 ]	15.32 [ .603 ]	16.64 [ .655 ]	N/A
12	12.39 [ .488 ]	18.64 [ .734 ]	14.98 [ .590 ]	16.81 [ .662 ]	17.32 [ .682 ]	18.64 [ .734 ]	N/A
14	14.39 [ .567 ]	20.64 [ .812 ]	16.98 [ .669 ]	18.81 [ .741 ]	19.32 [ .761 ]	20.64 [ .812 ]	8.00 [ .315 ]
16	16.39 [ .645 ]	22.64 [ .891 ]	18.98 [ .747 ]	20.81 [ .819 ]	21.32 [ .839 ]	22.64 [ .891 ]	10.00 [ .394 ]
20	20.39 [ .803 ]	26.64 [ 1.049 ]	22.98 [ .905 ]	24.81 [ .977 ]	25.32 [ .997 ]	26.64 [ 1.049 ]	14.00 [ .551 ]
22	22.39 [ .882 ]	28.64 [ 1.127 ]	24.98 [ .984 ]	26.81 [ 1.056 ]	27.32 [ 1.076 ]	28.64 [ 1.127 ]	16.00 [ .630 ]
24	24.39 [ .960 ]	30.64 [ 1.206 ]	26.98 [ 1.062 ]	28.81 [ 1.134 ]	29.32 [ 1.154 ]	30.64 [ 1.206 ]	18.00 [ .709 ]
26	26.39 [ 1.039 ]	32.64 [ 1.285 ]	28.98 [ 1.141 ]	30.81 [ 1.213 ]	31.32 [ 1.233 ]	32.64 [ 1.285 ]	20.00 [ .787 ]
30	30.39 [ 1.197 ]	36.64 [ 1.442 ]	32.98 [ 1.299 ]	34.81 [ 1.371 ]	35.32 [ 1.391 ]	36.64 [ 1.442 ]	24.00 [ .945 ]
34	34.39 [ 1.354 ]	40.64 [ 1.600 ]	36.98 [ 1.456 ]	38.81 [ 1.528 ]	39.32 [ 1.548 ]	40.64 [ 1.600 ]	28.00 [ 1.102 ]
40	40.39 [ 1.590 ]	46.64 [ 1.836 ]	42.98 [ 1.692 ]	44.81 [ 1.764 ]	45.32 [ 1.784 ]	46.64 [ 1.836 ]	34.00 [ 1.339 ]
44	44.39 [ 1.748 ]	50.64 [ 1.994 ]	46.98 [ 1.850 ]	48.81 [ 1.922 ]	49.32 [ 1.942 ]	50.64 [ 1.994 ]	38.00 [ 1.496 ]
50	50.39 [ 1.984 ]	56.64 [ 2.230 ]	52.98 [ 2.086 ]	54.81 [ 2.158 ]	55.32 [ 2.178 ]	56.64 [ 2.230 ]	44.00 [ 1.732 ]



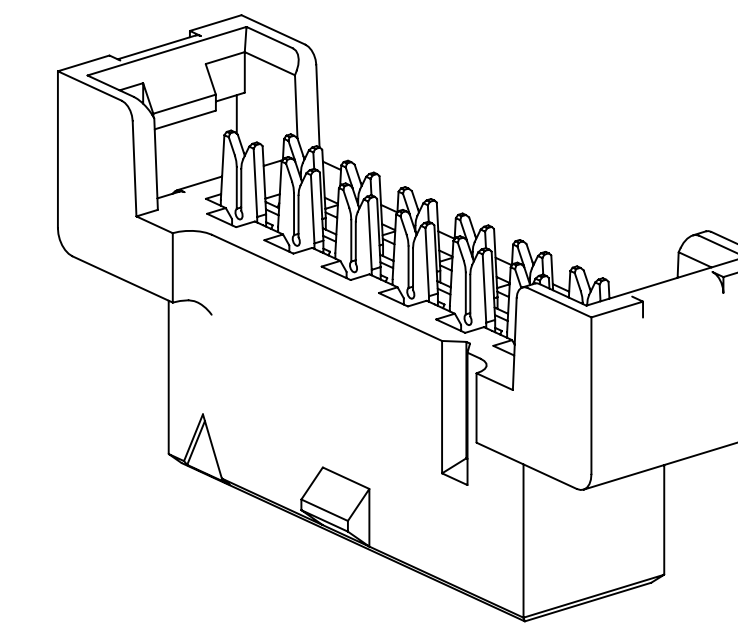
SOCKET WITHOUT OPTIONS  
ALL POSITIONS



CENTER BUMP OPTION  
ALL POSITIONS



CENTER BUMP WITH  
FRICTION BUMP OPTION  
14-50 POSITIONS



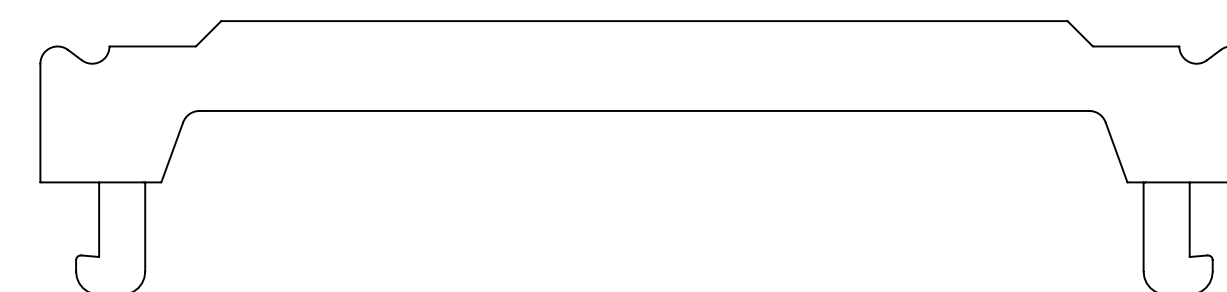
CENTER FRICTION BUMP OPTION  
6-12 POSITIONS ONLY

## ORDERING INFORMATION

**TIER 1 - BEST**  
**1581XX-1X00**  
 TIER 1 = BEST  
 POSITION COUNT (SEE TABLE)  
 PART CONFIGURATION 1 = ADHESIVE COVER  
 POLARIZATION/LATCHING 1 = CENTER BUMP, NO FRICTION BUMP  
 PLATING BLANK = 0.76 μm [30 μin] GOLD  
 PACKAGING 0 = TRAY

**TIER 2 - BETTER**  
**1582XX-0X20XX**  
 TIER 2 = BETTER  
 POSITION COUNT (SEE TABLE)  
 PART CONFIGURATION 0 = PREASSEMBLED COVER  
 POLARIZATION/LATCHING 0 = WITHOUT CENTER BUMP  
 1 = CENTER BUMP, NO FRICTION BUMP  
 2 = CENTER BUMP AND FRICTION BUMP  
 PLATING BLANK = 0.76 μm [30 μin] GOLD  
 15 = 0.38 μm [15 μin] GOLD  
 PACKAGING 2 = SWORDS

**TIER 3 - VALUE**  
**1583XX-211015**  
 TIER 3 = VALUE  
 POSITION COUNT (SEE TABLE)  
 PART CONFIGURATION 2 = SEPARATE COVER  
 POLARIZATION/LATCHING 1 = CENTER BUMP, NO FRICTION BUMP  
 PLATING 15 = 0.38 μm [15 μin] GOLD  
 PACKAGING 1 = BULK PACK



STRAIN RELIEF  
3448-158XX  
POSITION COUNT (SEE TABLE)

METRIC [ ENGLISH ]

DESIGN REFERENCE	NEXT ASSEMBLY	REV	ECO	ISSUE DATE AND DESCRIPTION	DRFT	CHKD
		L. SCHMIDT		JUL 23, 2010		
DIVISION	DIVISION CODE	APPV		S. FELDMAN		
				JUL 30, 2010		
DO NOT SCALE DRAWING	SCALE 6/1	TOLERANCES EXCEPT AS NOTED				
THIRD ANGLE PROJECTION		INCHES: .00 ±, .000 ±, .000 ±, .000 ±				
INTERPRET PER ASME Y14.5 - 1994		MILLIMETERS: 0 ±, .00 ±, .00 ±, .00 ±				
MAX SURFACE ROUGHNESS		.13 ±				
<input checked="" type="checkbox"/> ALL SURFACES MARKED ONLY		ANGLES ±1°				
CAGE NUMBER		DRAWING NO.		REV.		
D78-5100-2358-9		D78-5100-2358-9		B		
MODEL		SHT		2 OF 2		

78-5100-2358-9  
DRAWING NUMBER