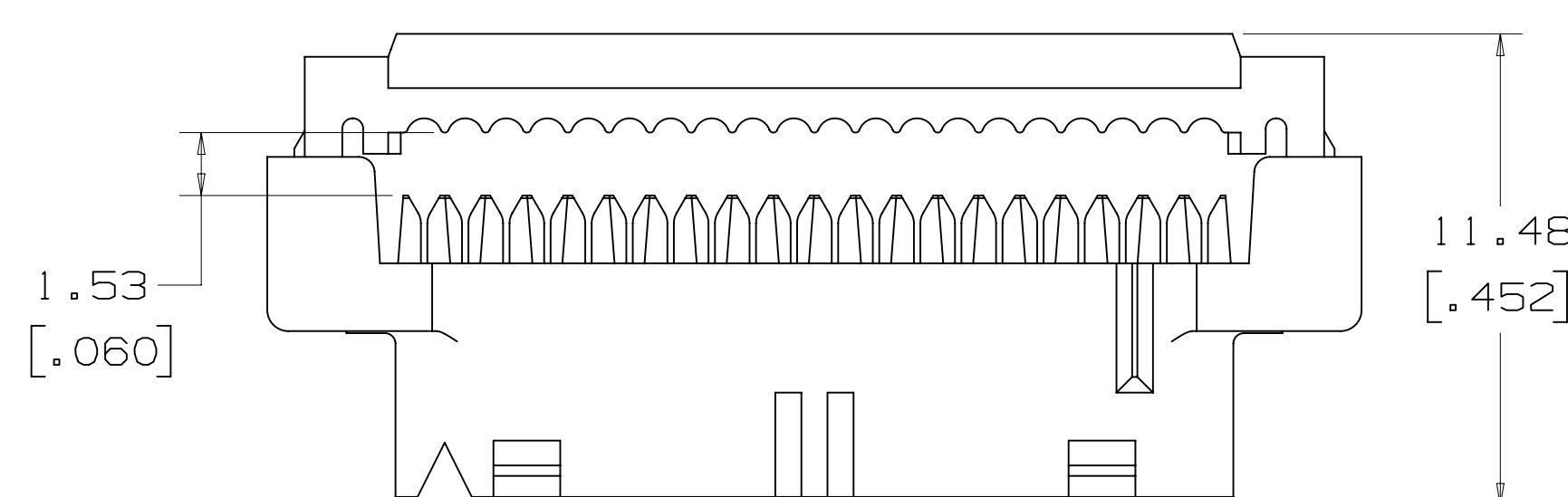
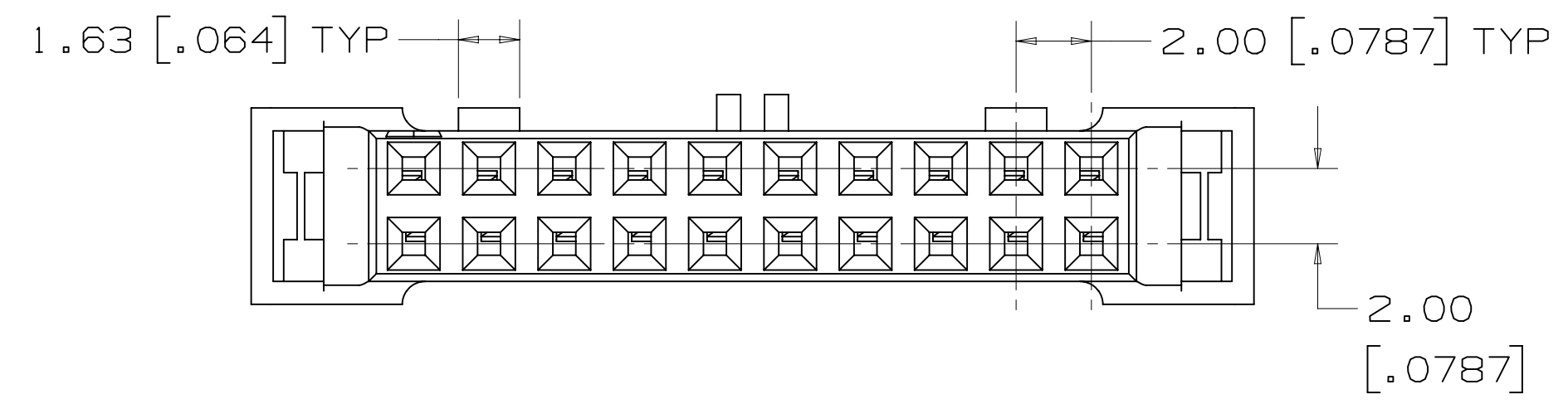
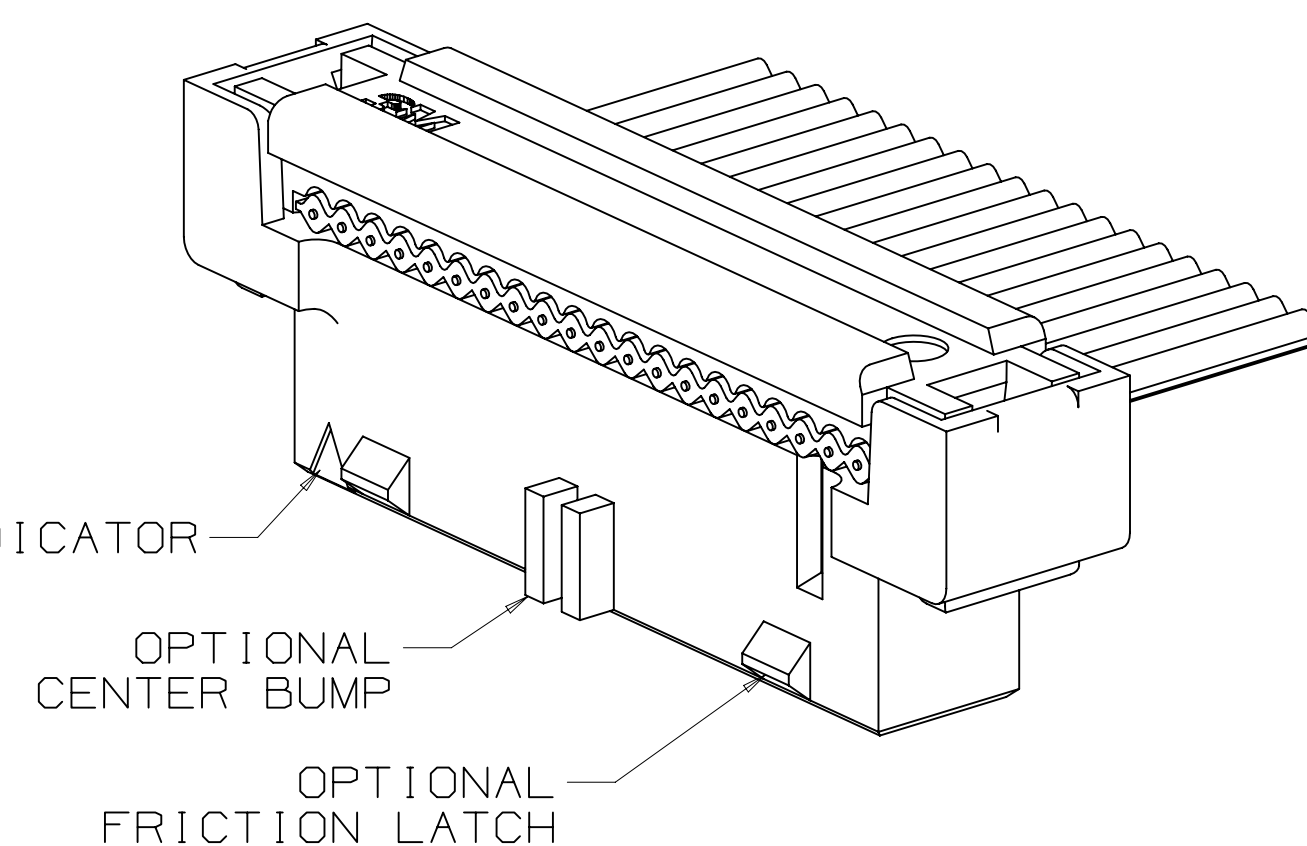
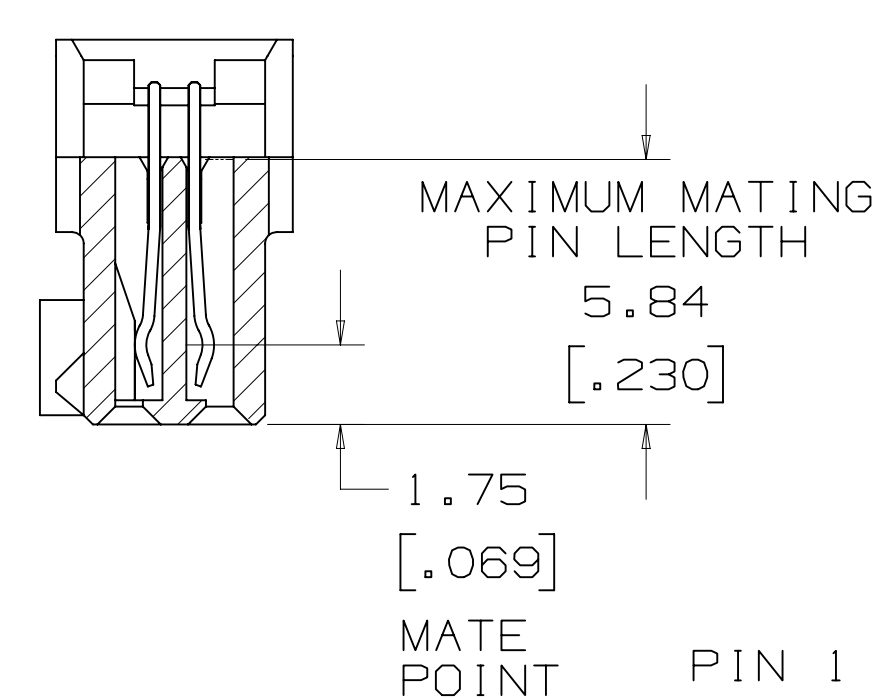
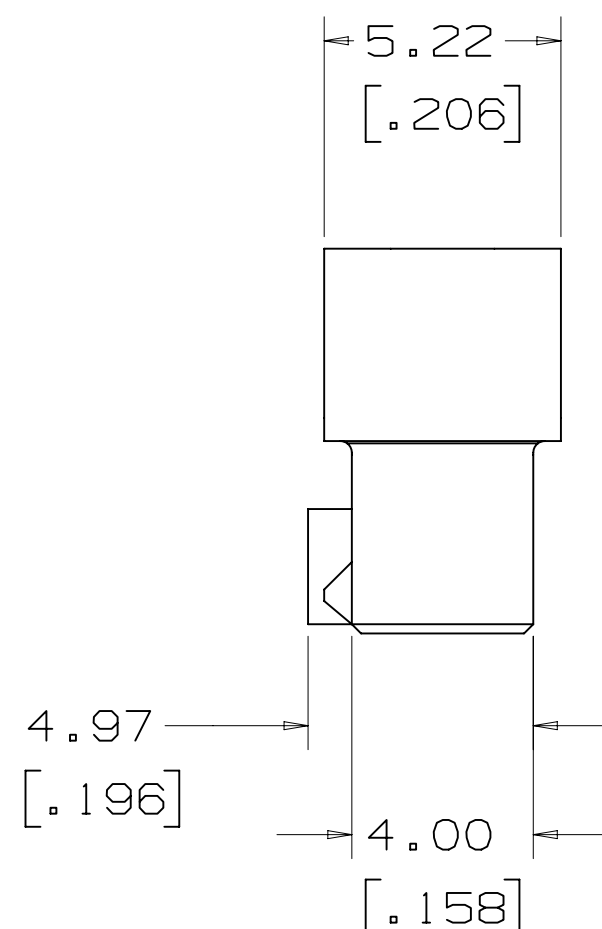
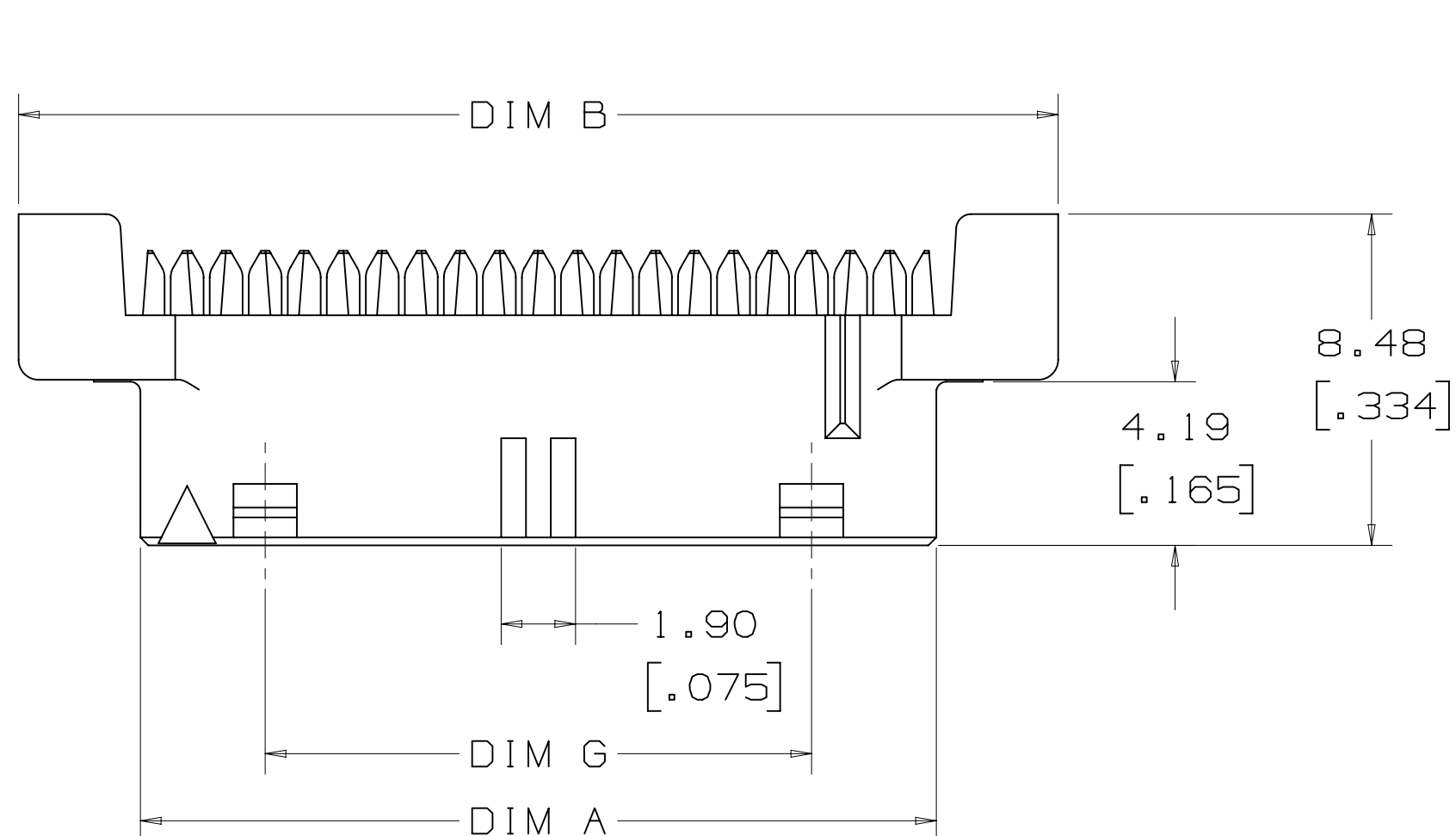
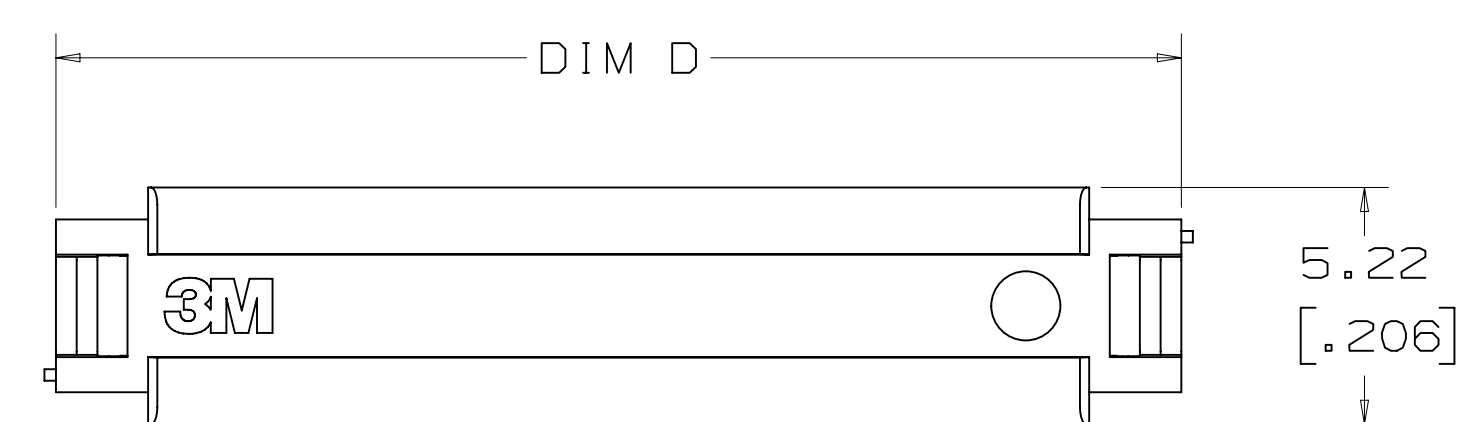


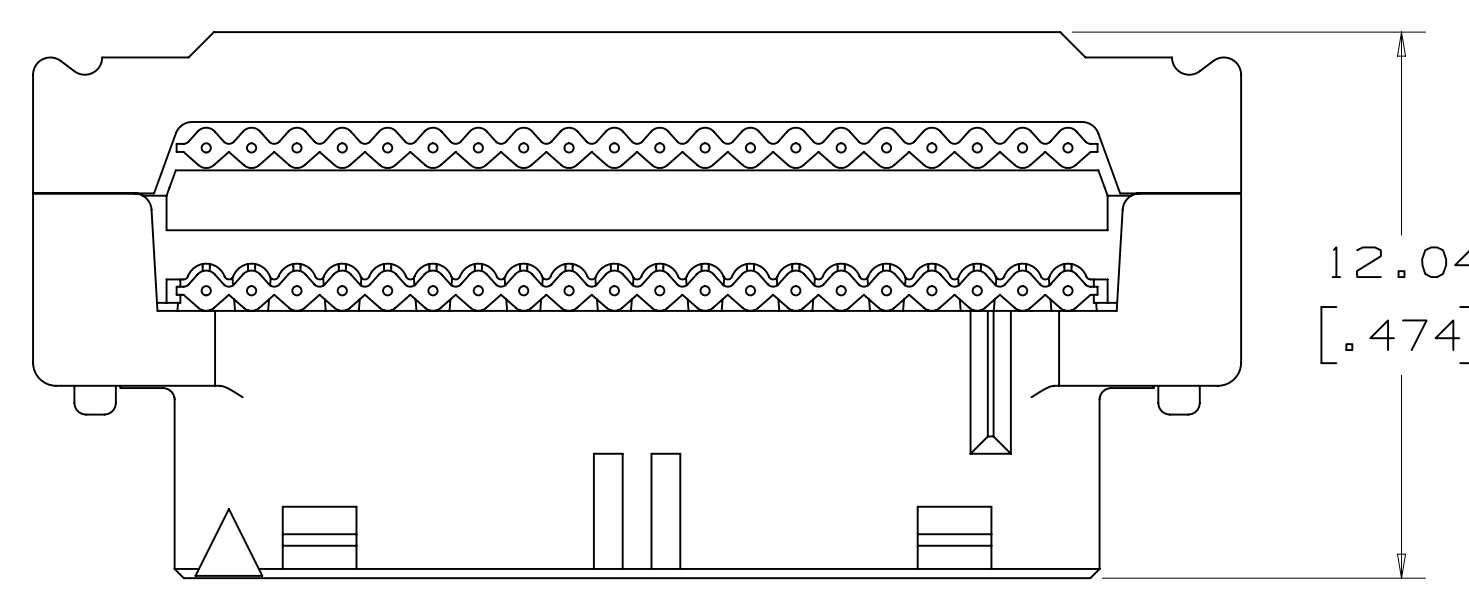
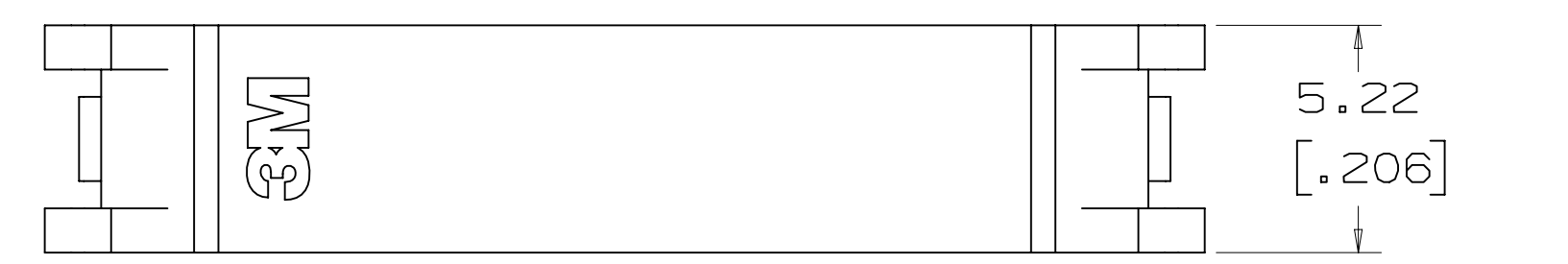
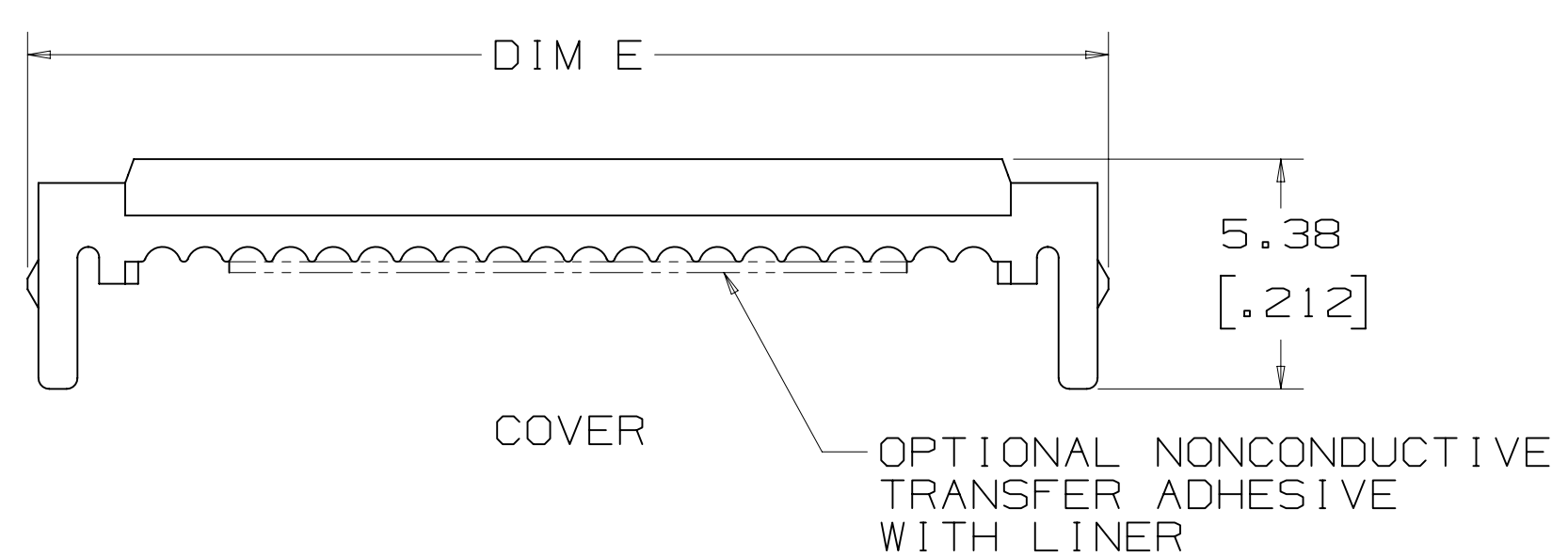
3M™ Ribbon Cable Socket 2 mm X 2 mm Pitch 158 Series



PREASSEMBLED HEIGHT WITH COVER



ASSEMBLED HEIGHT WITH COVER



ASSEMBLED HEIGHT WITH COVER AND STRAIN RELIEF



STRAIN RELIEF

NOTES

- 1 MATERIAL:
BODY: HIGH TEMP GLASS FILLED POLYESTER, GRAY UL94V-0
CONTACTS: COPPER ALLOY
- 2 PLATING:
2.03-3.81 μm [80-150 μin] NICKEL UNDERPLATE
0.38 μm [15 μin] OR 0.76 μm [30 μin] AVG GOLD ON WIPING AREA.
- 3 RIBBON CABLE:
RECOMMENDED: 3M™ 3625 (28 AWG, 7 STRAND).
- 4 APPLICATION TOOLS:
3460 PRESS (OR EQUIVALENT) 3443-119 LOCATOR PLATE, 3442-9 PLATEN
SEE 3M INSTRUCTION SHEET 78-9101-2810-3.
- 5 MATES WITH 3M™ HEADERS 159 SERIES (REFERENCE 3M DRAWING 78-5100-2359-7). (0.51 mm [0.020 in] SQ, CROWNED PINS).
- 6 SEE THE REGULATORY INFORMATION APPENDIX (RIA) IN THE "RoHS COMPLIANCE" SECTION OF WWW.3MCONNECTOR.COM FOR COMPLIANCE INFORMATION (RIA E1 & C1 APPLY).
- 7 FOR PRODUCT SPECIFICATIONS AND WARRANTY INFORMATION SEE 3M 78-5102-0078-1.
- 8 IN THE EVENT OF CONFLICT BETWEEN THIS DATA AND THAT CONTAINED IN THE PRODUCT SPECIFICATION, THE PRODUCT SPECIFICATION TAKES PRECEDENT.

PERFORMANCE [7] [8]	
CURRENT:	1A, 6 LINES ENERGIZED
INSULATION RESISTANCE:	>1X10 ⁹ OHMS AT 500 VDC
WITHSTANDING VOLTAGE:	500 VACrms AT SEA LEVEL
TEMPERATURE RATING:	-55°C TO +105°C

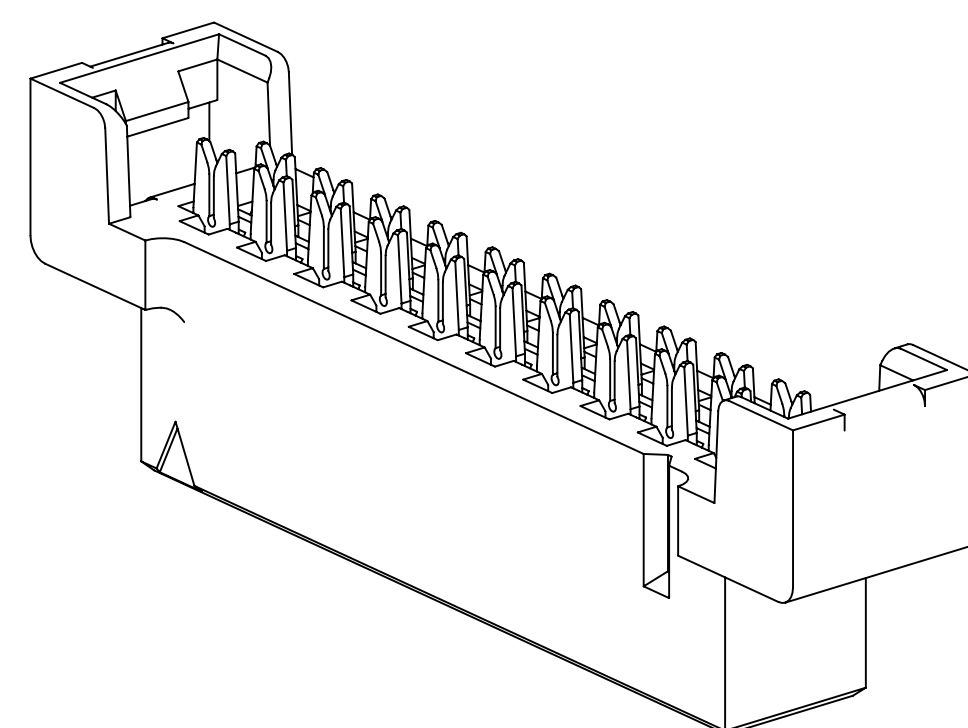
DESIGN REFERENCE	NEXT ASSEMBLY	REV	ECO	ISSUE DATE AND DESCRIPTION	DRFT	CHKD
DIVISION	DIVISION CODE	DATE	DATE	DATE	DATE	DATE
DO NOT SCALE DRAWING	SCALE 6-1	TOLERANCES EXCEPT AS NOTED				
THIRD ANGLE PROJECTION	INTERPRET PER ASME Y14.5 - 1994	MILLIMETERS	TITLE 3M RIBBON CABLE SOCKET 2 MM x 2 MM PITCH 158 SERIES			
MAX SURFACE ROUGHNESS 125	ALL SURFACES MARKED ONLY	ANGLES ±1°	CAGE NUMBER	SIZE	DRAWING NO.	REV.
			D	78-5100-2358-9	B	B
			MODEL	ISSUES	YES	NO
						SHT 1 OF 2

METRIC [ENGLISH]

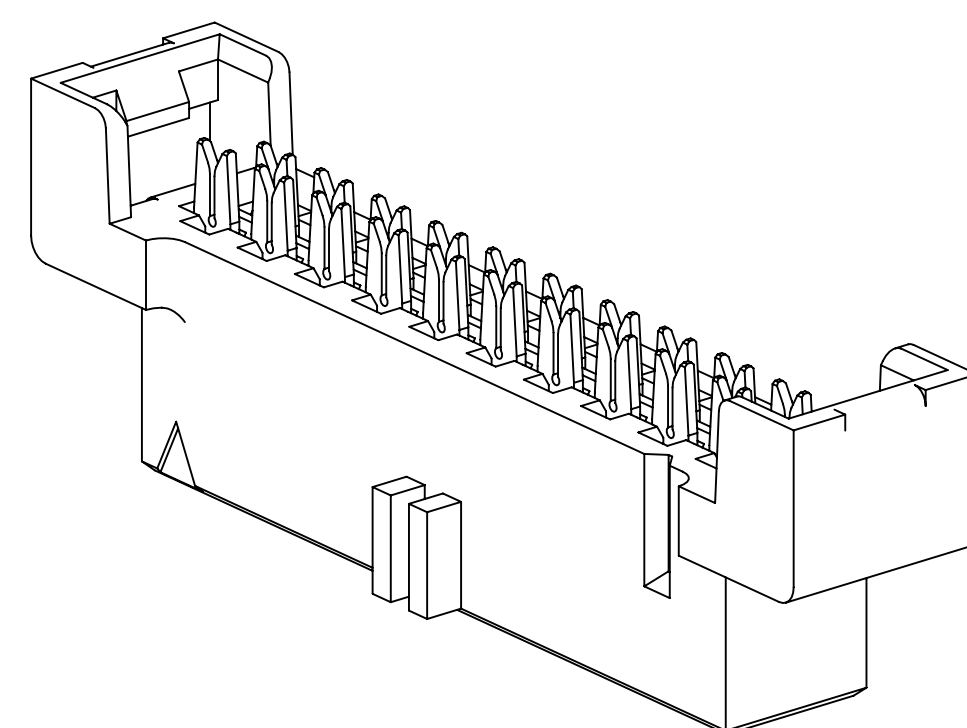
78-5100-2358-9 REV. 9 DRAWING NUMBER

3M™ Ribbon Cable Socket 2 mm X 2 mm Pitch 158 Series

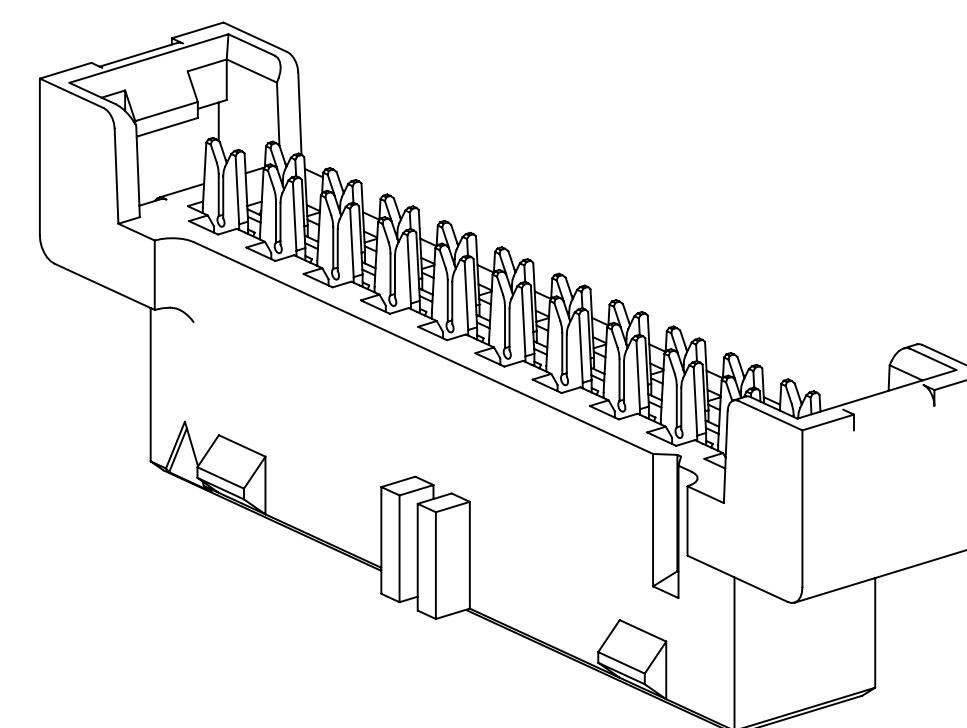
NUMBER OF POSITIONS	DIM A	DIM B	DIM C	DIM D	DIM E	DIM F	DIM G
6	6.39 [.252]	12.64 [.497]	8.98 [.354]	10.81 [.426]	11.32 [.446]	12.64 [.497]	N/A
8	8.39 [.330]	14.64 [.576]	10.98 [.432]	12.81 [.504]	13.32 [.524]	14.64 [.576]	N/A
10	10.39 [.409]	16.64 [.655]	12.98 [.511]	14.81 [.583]	15.32 [.603]	16.64 [.655]	N/A
12	12.39 [.488]	18.64 [.734]	14.98 [.590]	16.81 [.662]	17.32 [.682]	18.64 [.734]	N/A
14	14.39 [.567]	20.64 [.812]	16.98 [.669]	18.81 [.741]	19.32 [.761]	20.64 [.812]	8.00 [.315]
16	16.39 [.645]	22.64 [.891]	18.98 [.747]	20.81 [.819]	21.32 [.839]	22.64 [.891]	10.00 [.394]
20	20.39 [.803]	26.64 [1.049]	22.98 [.905]	24.81 [.977]	25.32 [.997]	26.64 [1.049]	14.00 [.551]
22	22.39 [.882]	28.64 [1.127]	24.98 [.984]	26.81 [1.056]	27.32 [1.076]	28.64 [1.127]	16.00 [.630]
24	24.39 [.960]	30.64 [1.206]	26.98 [1.062]	28.81 [1.134]	29.32 [1.154]	30.64 [1.206]	18.00 [.709]
26	26.39 [1.039]	32.64 [1.285]	28.98 [1.141]	30.81 [1.213]	31.32 [1.233]	32.64 [1.285]	20.00 [.787]
30	30.39 [1.197]	36.64 [1.442]	32.98 [1.299]	34.81 [1.371]	35.32 [1.391]	36.64 [1.442]	24.00 [.945]
34	34.39 [1.354]	40.64 [1.600]	36.98 [1.456]	38.81 [1.528]	39.32 [1.548]	40.64 [1.600]	28.00 [1.102]
40	40.39 [1.590]	46.64 [1.836]	42.98 [1.692]	44.81 [1.764]	45.32 [1.784]	46.64 [1.836]	34.00 [1.339]
44	44.39 [1.748]	50.64 [1.994]	46.98 [1.850]	48.81 [1.922]	49.32 [1.942]	50.64 [1.994]	38.00 [1.496]
50	50.39 [1.984]	56.64 [2.230]	52.98 [2.086]	54.81 [2.158]	55.32 [2.178]	56.64 [2.230]	44.00 [1.732]



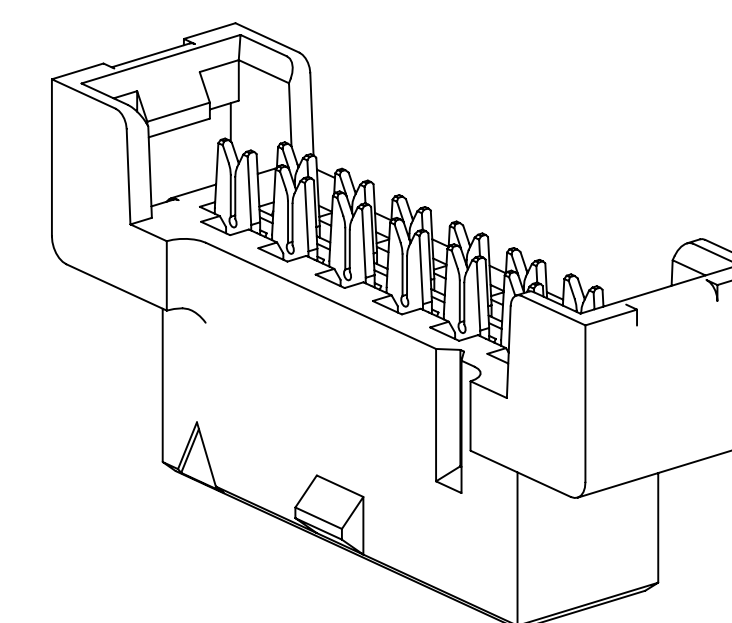
SOCKET WITHOUT OPTIONS
ALL POSITIONS



CENTER BUMP OPTION
ALL POSITIONS



CENTER BUMP WITH
FRICTION BUMP OPTION
14-50 POSITIONS



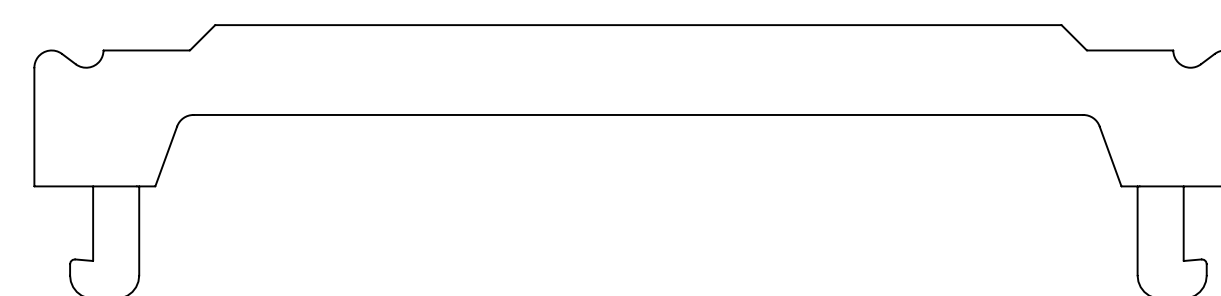
CENTER FRICTION BUMP OPTION
6-12 POSITIONS ONLY

ORDERING INFORMATION

TIER 1 - BEST
1581XX-1X00
 TIER 1 = BEST
 POSITION COUNT (SEE TABLE)
 PART CONFIGURATION 1 = ADHESIVE COVER
 POLARIZATION/LATCHING 1 = CENTER BUMP, NO FRICTION BUMP
 PLATING BLANK = 0.76 μm [30 μin] GOLD
 PACKAGING 0 = TRAY

TIER 2 - BETTER
1582XX-0X20XX
 TIER 2 = BETTER
 POSITION COUNT (SEE TABLE)
 PART CONFIGURATION 0 = PREASSEMBLED COVER
 POLARIZATION/LATCHING 0 = WITHOUT CENTER BUMP, 1 = CENTER BUMP, NO FRICTION BUMP, 2 = CENTER BUMP AND FRICTION BUMP
 PLATING BLANK = 0.76 μm [30 μin] GOLD
 15 = 0.38 μm [15 μin] GOLD
 PACKAGING 2 = SWORDS

TIER 3 - VALUE
1583XX-211015
 TIER 3 = VALUE
 POSITION COUNT (SEE TABLE)
 PART CONFIGURATION 2 = SEPARATE COVER
 POLARIZATION/LATCHING 1 = CENTER BUMP, NO FRICTION BUMP
 PLATING 15 = 0.38 μm [15 μin] GOLD
 PACKAGING 1 = BULK PACK



STRAIN RELIEF
3448-158XX

POSITION COUNT
(SEE TABLE)

METRIC [ENGLISH]

DESIGN REFERENCE	NEXT ASSEMBLY	REV	ECO	ISSUE DATE AND DESCRIPTION	DRFT	CHKD
		L. SCHMIDT		JUL 23, 2010		
DIVISION	DIVISION CODE	APPV		JUL 30, 2010		
		S. FELDMAN				
DO NOT SCALE DRAWING	SCALE 6/1	TOLERANCES EXCEPT AS NOTED				
THIRD ANGLE PROJECTION			© 3M COPYRIGHT 2010 This document and the information it contains are 3M property and may not be reproduced or further distributed without 3M permission, or used or disclosed other than for 3M authorized purposes. All rights reserved.			
INTERPRET PER ASME Y14.5 - 1994			TITLE 3M RIBBON CABLE SOCKET 2 MM x 2 MM PITCH 158 SERIES			
MAX SURFACE ROUGHNESS			CAGE NUMBER	SIZE	DRAWING NO.	REV.
125			D	78-5100-2358-9	B	
			MODEL			

78-5100-2358-9
DRAWING NUMBER

A

SHT 2 OF 2