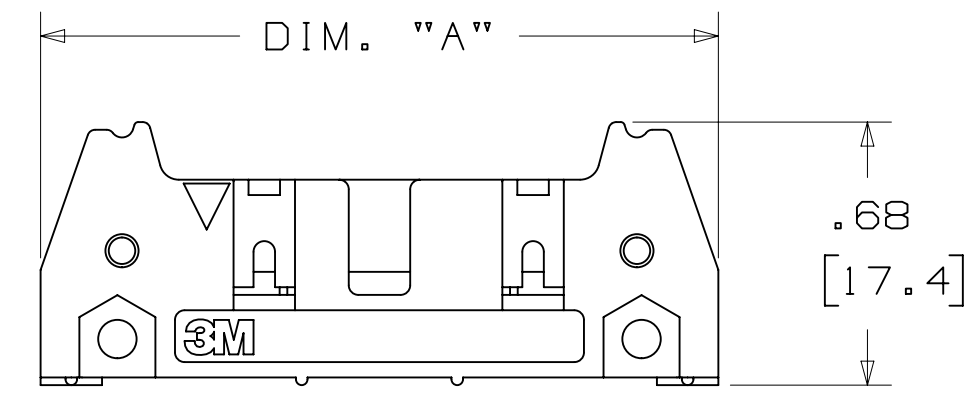
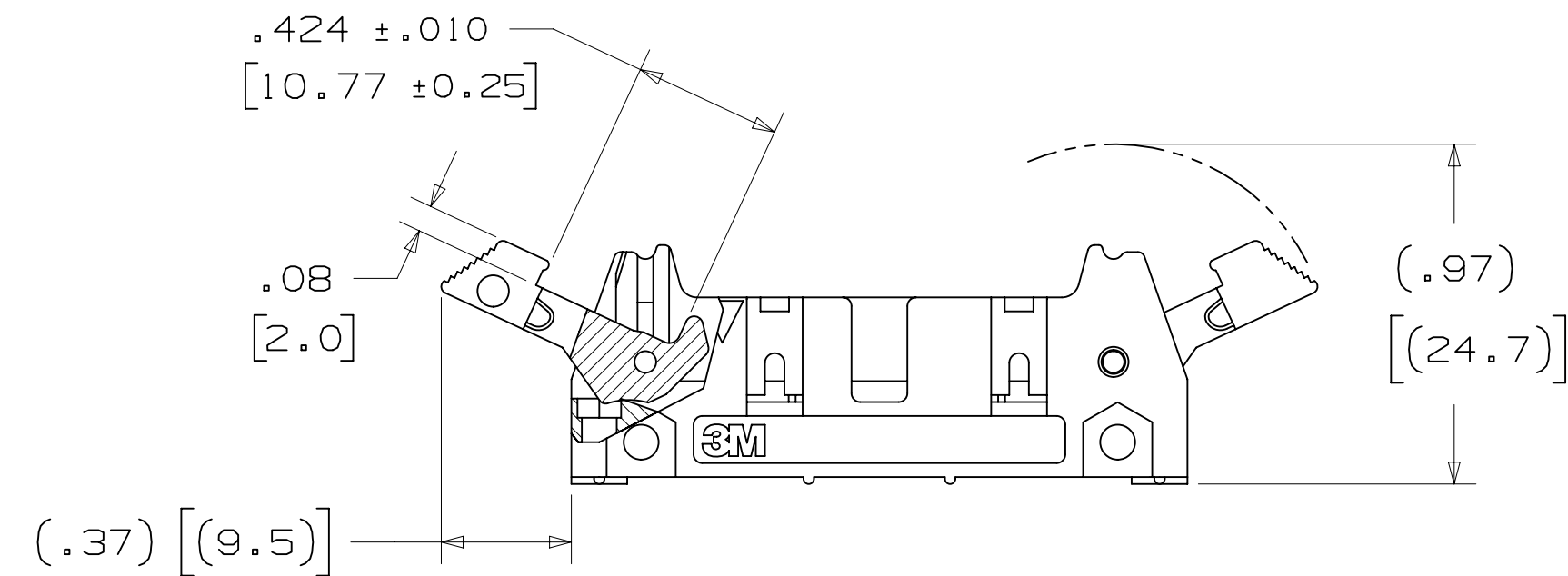


# 3M™ FOUR-WALL HEADER, 3000 SERIES

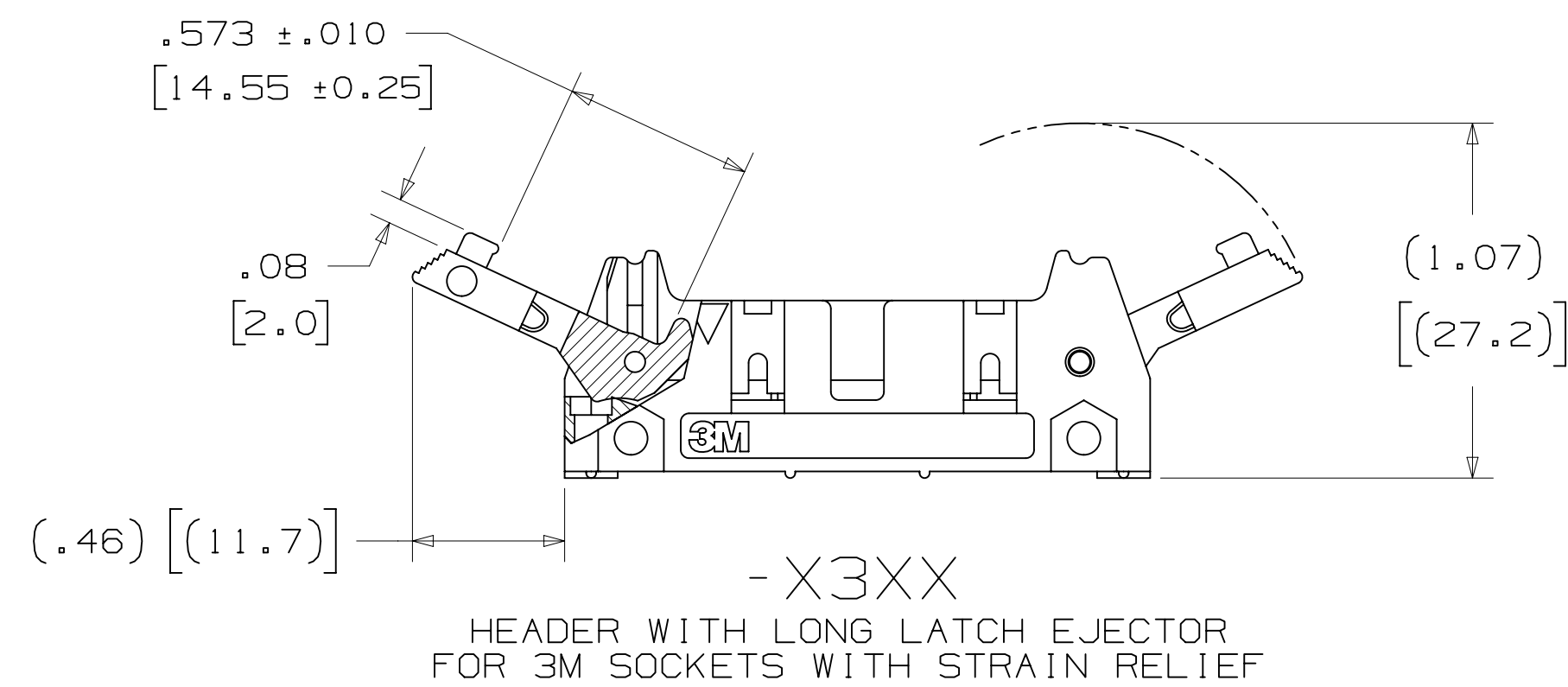
.100" X .100" LATCH/EJECTOR, STRAIGHT AND RIGHT ANGLE



-X0XX  
HEADER WITHOUT LATCH EJECTOR



-X2XX  
HEADER WITH SHORT LATCH EJECTOR  
FOR 3M SOCKETS WITHOUT STRAIN RELIEF



-X3XX  
HEADER WITH LONG LATCH EJECTOR  
FOR 3M SOCKETS WITH STRAIN RELIEF

- \* MILITARY (WITH 3M'S N3518 POLARIZING KEY) AND CENTERBUMP POLARIZATION.
- \* OPTIONAL EJECTOR LATCHES.
- \* MOUNTING HOLES FOR SECURING HEADER TO BOARD.
- \* OPTIONAL POLARIZING POSTS AVAILABLE.
- \* HIGH TEMPERATURE INSULATOR SUITABLE FOR "NO LEAD" SOLDERING OPERATIONS.
- \* SUITABLE FOR REFLOW SOLDERING USING "PASTE IN HOLE" TECHNIQUES.
- \* SOLDER TAIL OPTION.

## 2 PHYSICAL :

INSULATOR: GLASS FILLED POLYESTER (PCT)  
 MATERIAL: UL94V-0  
 FLAMMABILITY: UL94V-0  
 COLOR: BLACK  
 CONTACT: COPPER ALLOY  
 PLATING: 100µ" [2.54µm] NICKEL-OVERALL  
 UNDER PLATING: 30µ" [0.76µm] AVG. GOLD  
 WIPING AREA: TIN LEAD OR MATTE TIN (SEE ORDERING INFORMATION)  
 MARKINGS: 3M LOGO, PART IDENTIFICATION NUMBER AND ORIENTATION TRIANGLE

## 2 ELECTRICAL :

CURRENT RATING: 5.00A, 1 CONTACT POWERED  
 3.00A, 6 CONTACTS POWERED  
 1.75A, ALL CONTACTS POWERED  
 RATING CONDITIONS: EIA-364-070 METHOD 2, 30°C MAXIMUM TEMPERATURE RISE, 20% DERATED. REFERENCE APPROPRIATE 3M PRODUCT SPECIFICATION FOR DETAILED CURRENT DERATING CURVES.  
 INSULATION RESISTANCE: >1 X 10<sup>9</sup>Ω AT 500 V<sub>DC</sub>  
 WITHSTANDING VOLTAGE: 1,000V<sub>RMS</sub> AT SEA LEVEL

## 2 ENVIRONMENTAL :

TEMPERATURE RATING: -55°C TO 105°C  
 PROCESS RATING: 260°C, PER J-STD-020C, SINGLE PASS  
 MOISTURE SENSITIVITY LEVEL: 1 (PER J-STD-020C)

- REGULATORY INFORMATION: ROHS COMPLIANT. SEE THE REGULATORY INFORMATION APPENDIX (RIA) IN THE "ROHS COMPLIANCE" SECTION OF WWW.3MCONNECTORS.COM FOR COMPLIANCE INFORMATION.
- IN THE EVENT OF CONFLICT BETWEEN THIS DATA AND THAT CONTAINED IN THE PRODUCT SPECIFICATION, THE PRODUCT SPECIFICATION TAKES PRECEDENT.
- NOTCHES A & C WILL ACCOMMODATE 3M POLARIZING KEY: N3518.
- MOUNTING HARDWARE: FROM SOLDER SIDE OF PC BOARD USE #4-24 THREAD CUTTING SCREW (3M PART #3341-5) WITH Ø.116 [2.95] MOUNTING HOLE. FOR RIGHT ANGLE VERSION ONLY: #2-56 BOLT AND NUT (3M PART #3341-6) WITH Ø.106 [2.69] MOUNTING HOLE MAY BE USED.
- THE RECOMMENDED PCB HOLE SIZE FOR THE KINKED TAIL POSITIONS ON THE .112 SOLDER TAIL CONNECTOR IS Ø.035±.002. (SEE K2 VERSION).

## ORDERING INFORMATION

X3XXX - XXXXXX

N = HIGH TEMP BLACK (PCT)/(RB PLATING REQ'D)  
 BLANK = (UB PLATING)

3M PART NUMBER:  
(SEE TABLE 1)

PIN CONFIGURATION:  
 5 = RIGHT ANGLE SOLDER TAILS  
 6 = STRAIGHT SOLDER TAILS

PLATING:  
 RB = 30µ" [0.76µm] GOLD AND 200µ" [5.08µm] MATTE TIN (APP. E1 & C1 APPLY)  
 UB = 30µ" [0.76µm] GOLD AND 200µ" [5.08µm] TIN LEAD (APP. E3 & C2 APPLY)

TAIL:  
 02 = FOR .062 [1.57] THICK BOARD  
 03 = FOR .094 TO .125 [2.39 TO 3.18] THICK BOARD  
 K2 = KINKED FOR .062 [1.57] THICK BOARD

LATCH/EJECTOR SYSTEM:  
 0 = NO LATCH/EJECTOR INSTALLED  
 2 = SHORT ROLL PIN LATCH/EJECTORS  
 3 = LONG ROLL PIN LATCH/EJECTORS

3M ELECTRONIC MATERIALS SOLUTIONS DIVISION  
 INTERCONNECT SOLUTIONS  
<http://www.3mconnectors.com>

3M IS A TRADEMARK OF 3M COMPANY.  
 FOR TECHNICAL, SALES OR ORDERING  
 INFORMATION CALL 800-225-5373

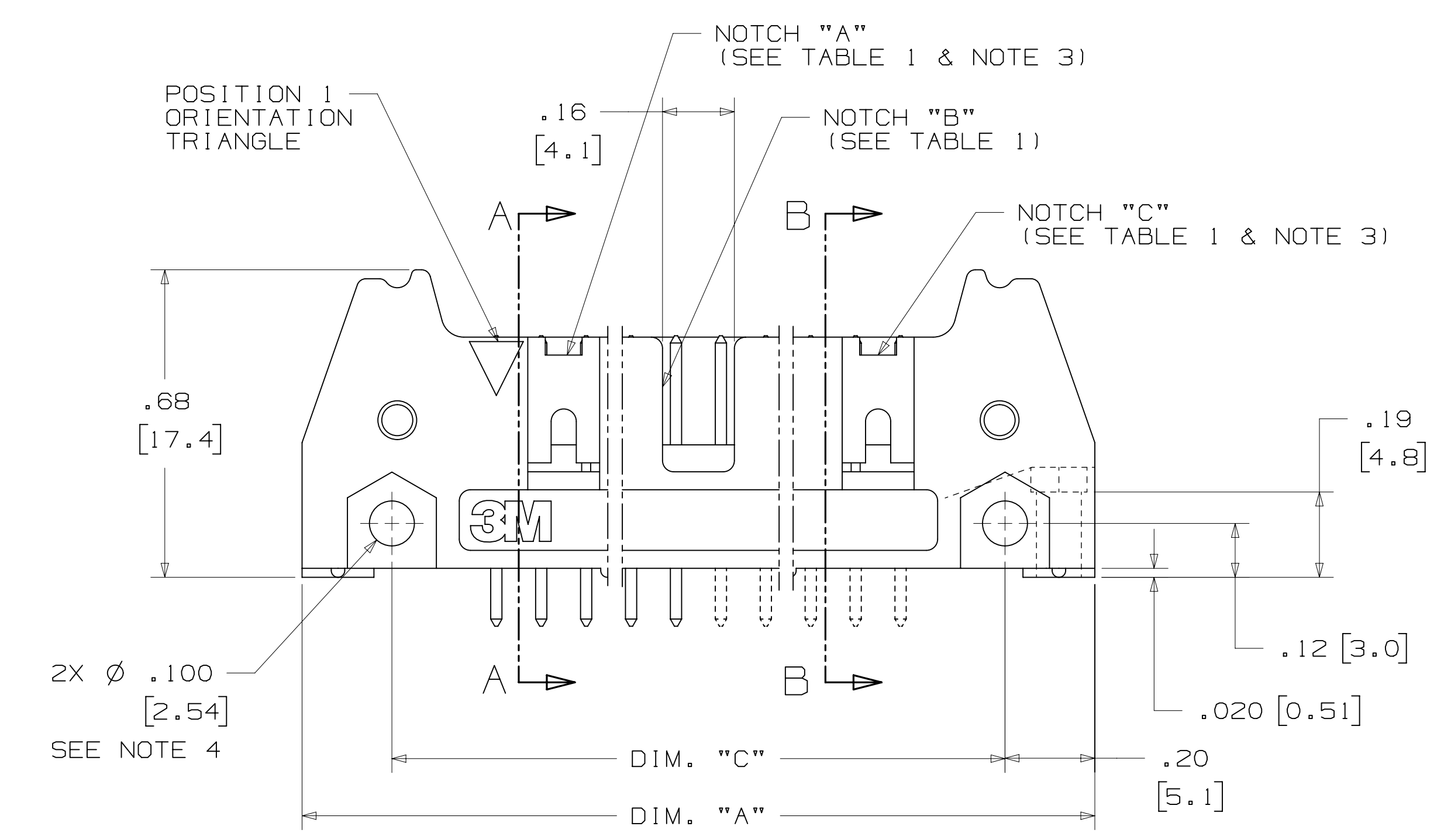
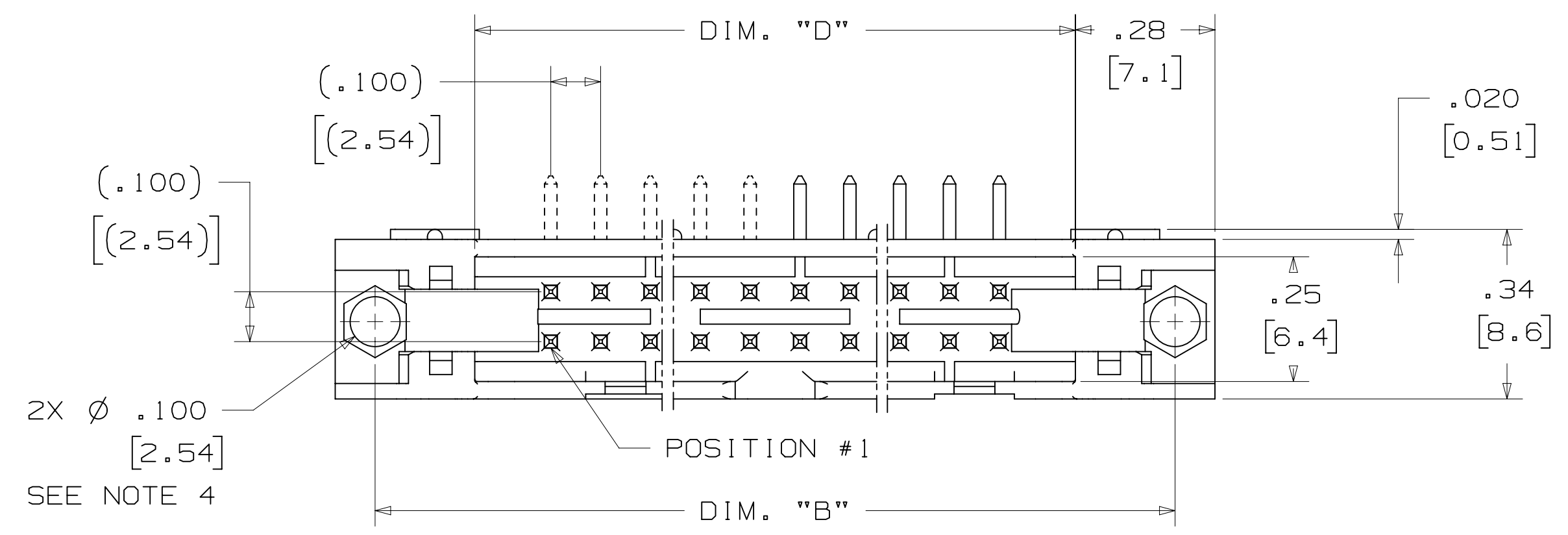
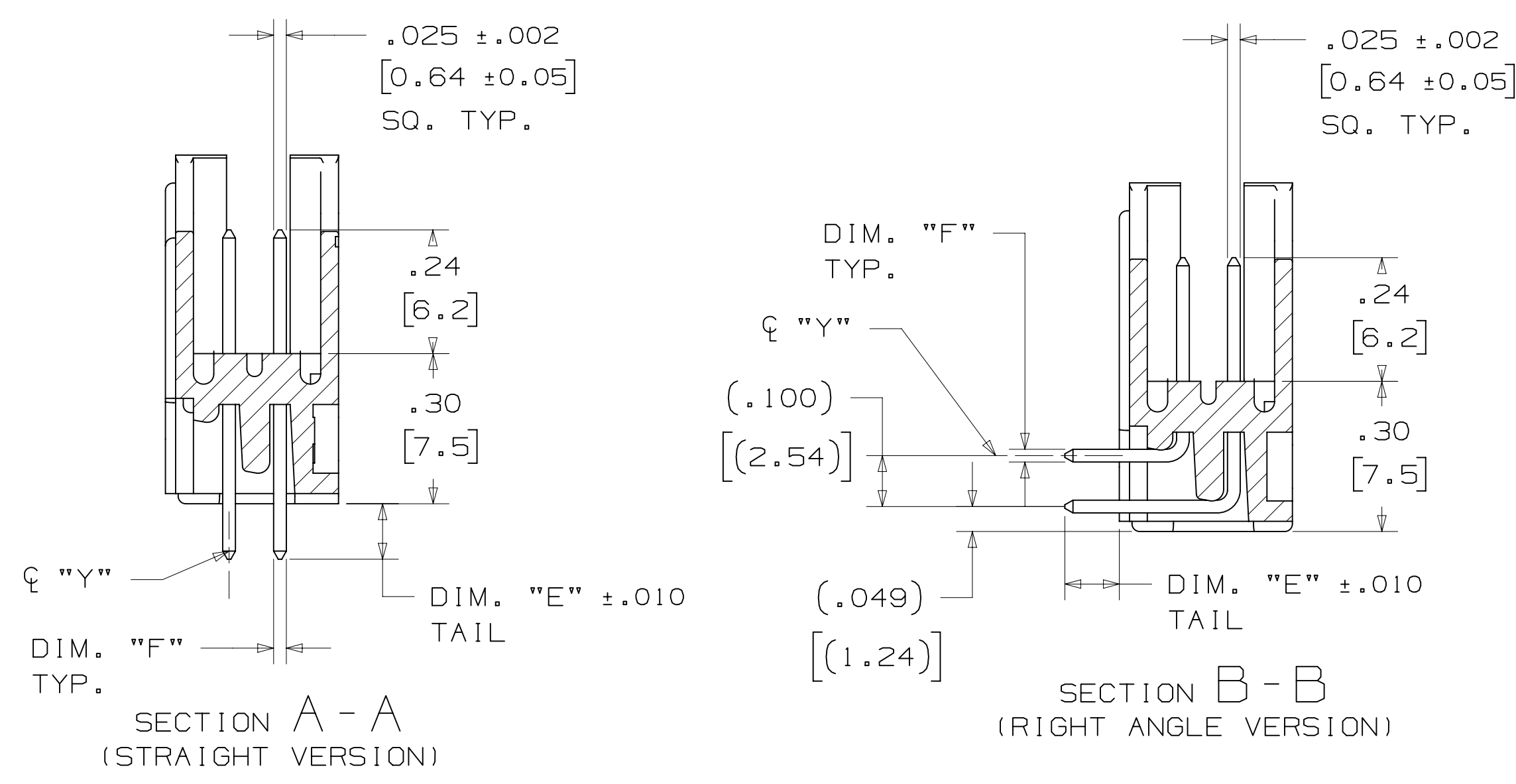
DIMENSIONS: INCHES [MM]  
 [MM] IS REF. ONLY

| DESIGN REFERENCE       | NEXT ASSEMBLY                   | REV                        | ECO   | ISSUE DATE AND DESCRIPTION  | DRFT               | CHKD                   |
|------------------------|---------------------------------|----------------------------|---|---|--------------------|------------------------|
|                        |                                 | S                          | 60056   | MAR 06, 2015<br>REVISE ORDERING NUMBER  | JNC                | RS                     |
|                        |                                 | R                          | 56068   | JUL 25, 2014<br>REVISED AND REDRAWN   | JNC                | RS                     |
| DRW CODES              |                                 | CHKD                       | CASTIGLIONE                                   | DATE<br>JUL 25, 2014  | APPR<br>R. SCHERER | DATE<br>SEP 05, 2014   |
| DIVISION               | Interconnect Solutions          | DIVISION CODE              | EMSD  | © 3M COPYRIGHT 2015<br>This document and the information it contains are 3M property and may not be reproduced or further distributed without 3M permission, or used or disclosed other than for 3M authorized purposes. All rights reserved. |                    |                        |
| DO NOT SCALE DRAWING   | SCALE 1                         | TOLERANCES EXCEPT AS NOTED | INCHES<br>.00 ± .01<br>.000 ± .005<br>.0000 ± |   |                    |                        |
| THIRD ANGLE PROJECTION | INTERPRET PER ASME Y14.5 - 2009 | MILLIMETERS                | 0 ± .3<br>.00 ± .13<br>.000 ±                 |   |                    |                        |
| MAX SURFACE ROUGHNESS  | 12X SURFACES                    | MARKED ONLY                | CAGE NUMBER                                   | SIZE  | DRAWING NO.        | REV.                   |
|                        |                                 |                            | D   | 78-5100-0772-3  | S                  |                        |
|                        |                                 |                            | MODEL   | 3000 SERIES   | DET                | ISTS YES NO SHT 1 OF 4 |

**CAUS**  
 UL FILE NO: E68080

78-5100-0772-3  
 DRAWING NUMBER  
 3M  
 S  
 12:54 PM UTC-06:00  
 3/6/2015  
 S.1

3M™ FOUR-WALL HEADER, 3000 SERIES  
 .100" X .100" LATCH/EJECTOR, STRAIGHT AND RIGHT ANGLE



| PIN QTY. | 3M PART NUMBER | DIM. "A"     | DIM. "B"      | DIM. "C"      | DIM. "D"    | POLARIZING NOTCHES | PIN QTY. |
|----------|----------------|--------------|---------------|---------------|-------------|--------------------|----------|
| 06       | 3869           | 1.06 [27.0]  | .905 [22.99]  | .665 [16.89]  | .51 [12.9]  | B*                 | 06       |
| 08       | 3889           | 1.16 [29.5]  | 1.005 [25.53] | .765 [19.43]  | .61 [15.5]  | B*                 | 08       |
| 10       | 3793           | 1.26 [32.1]  | 1.105 [28.04] | .865 [21.97]  | .71 [18.0]  | BC                 | 10       |
| 14       | 3314           | 1.46 [37.2]  | 1.305 [33.12] | 1.065 [27.05] | .91 [23.1]  | BC                 | 14       |
| 16       | 3408           | 1.56 [39.7]  | 1.405 [35.66] | 1.165 [29.59] | 1.01 [25.6] | ABC                | 16       |
| 20       | 3428           | 1.76 [44.8]  | 1.604 [40.74] | 1.365 [34.67] | 1.21 [30.7] | ABC                | 20       |
| 24       | 3627           | 1.96 [49.9]  | 1.805 [45.82] | 1.565 [39.75] | 1.41 [35.8] | ABC                | 24       |
| 26       | 3429           | 2.06 [52.4]  | 1.905 [48.36] | 1.665 [42.29] | 1.51 [38.3] | ABC                | 26       |
| 30       | 3440           | 2.26 [57.5]  | 2.105 [53.44] | 1.865 [47.37] | 1.71 [43.4] | ABC                | 30       |
| 34       | 3431           | 2.46 [62.6]  | 2.305 [58.52] | 2.065 [52.45] | 1.91 [48.5] | ABC                | 34       |
| 40       | 3432           | 2.76 [70.2]  | 2.605 [66.14] | 2.365 [60.07] | 2.21 [56.1] | ABC                | 40       |
| 50       | 3433           | 3.26 [82.9]  | 3.105 [78.84] | 2.865 [72.77] | 2.71 [68.8] | ABC                | 50       |
| 60       | 3372           | 3.76 [95.6]  | 3.605 [91.54] | 3.365 [85.47] | 3.21 [81.5] | ABC                | 60       |
| 64       | 3764           | 3.96 [100.7] | 3.805 [96.62] | 3.565 [90.55] | 3.41 [86.6] | ABC                | 64       |

\* AVAILABLE WITHOUT CENTER NOTCH B. CONTACT 3M

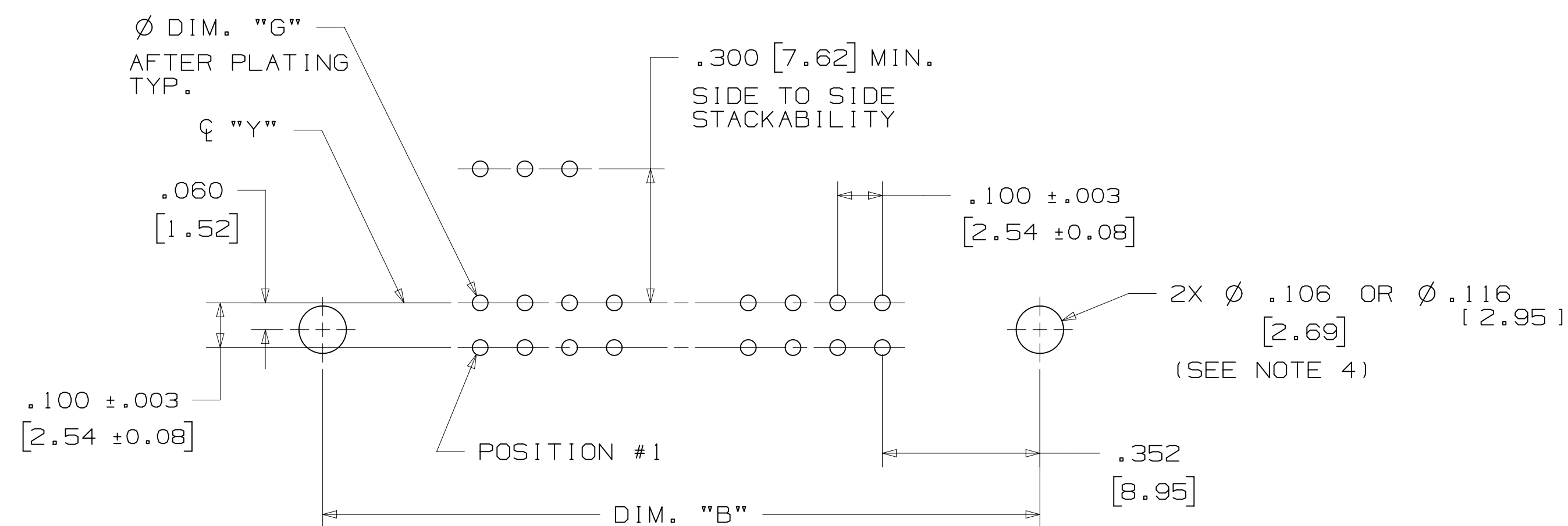
| 3M PART NUMBER SUFFIX | CONTACT TAIL                              | DIM. "E"    | PIN CROSS SECTION                |                                |                                   | DIM. "G"                        |
|-----------------------|---|-------------|----------------------------------|--------------------------------|-----------------------------------|---------------------------------|
| -5XX2                 | .062 [1.57] THICK PC BOARD                | .112 [2.84] | DIM. "F" .0245+/- .0005 [ .622 ] | DIAGONALS .028+/- .001 [ .71 ] | CORNER RADIUS .0075 REF. [ .191 ] | .035+/- .003 [ .89 ] SEE NOTE 5 |
| -6XX2                 |   |             |                                  |                                |                                   |                                 |
| -5X03                 | .094 [2.39] TO .125 [3.18] THICK PC BOARD | .155 [3.94] | .0245+/- .0005 [ .622 ]          | .028+/- .001 [ .71 ]           | .0075 REF. [ .191 ]               | .035+/- .003 [ .89 ]            |
| -6X03                 |   |             |                                  |                                |                                   |                                 |

|                                  |                                 |                                   |     |   |      |      |
|----------------------------------|---------------------------------|-----------------------------------|-----|---|------|------|
| DESIGN REFERENCE                 | NEXT ASSEMBLY                   | REV                               | ECO | ISSUE DATE AND DESCRIPTION  | DRFT | CHKD |
|                                  |                                 | CASTIGLIONE                       |     | JUL 25, 2014  |      |      |
| DIVISION: Interconnect Solutions |                                 | DIVISION CODE: EMSD               |     | DATE: SEP 05, 2014  |      |      |
| DO NOT SCALE DRAWING             | SCALE: 4/1                      | TOLERANCES EXCEPT AS NOTED        |     | © 3M COPYRIGHT 2015<br>This document and the information it contains are 3M property and may not be reproduced or further distributed without 3M permission, or used or disclosed other than for 3M authorized purposes. All rights reserved. |      |      |
| THIRD ANGLE PROJECTION           | INTERPRET PER ASME Y14.5 - 2009 | MILLIMETERS                       |     | TITLE: HEADER, 4-WALL, .100 X .100 LATCH/EJECTOR, STRAIGHT & RA<br>CAGE NUMBER: D78-5100-0772-3<br>MODEL: 3000 SERIES   |      |      |
| MAX SURFACE ROUGHNESS            | MARKED SURFACES                 | INCHES                            |     | REV. S  |      |      |
|                                  |                                 | 0 ± .01<br>.000 ± .005<br>.0000 ± |     | SHT 2 OF 4  |      |      |
|                                  |                                 | 0 ± .3<br>.00 ± .13<br>.000 ±     |     |   |      |      |
|                                  |                                 | ANGLES                            |     |   |      |      |

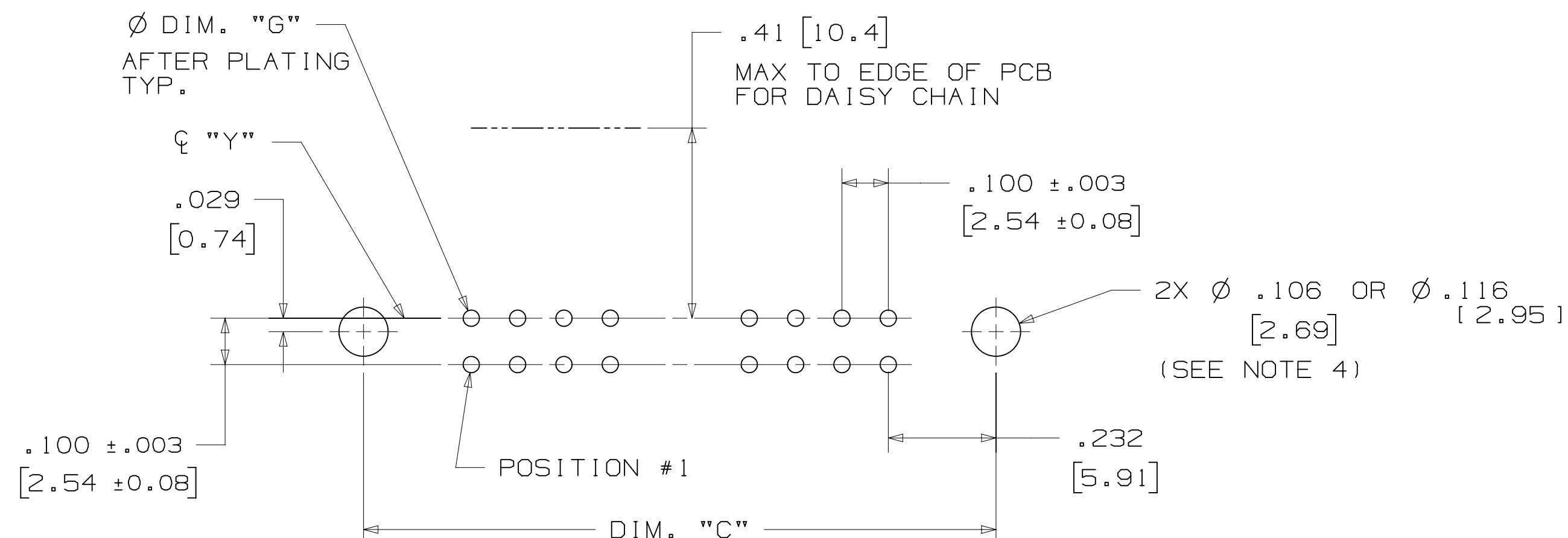
78-5100-0772-3  
 DRAWING NUMBER  
 3/6/2015 12:54 PM UTC-06:00  
 REVISION

# 3M™ FOUR-WALL HEADER, 3000 SERIES

.100" X .100" LATCH/EJECTOR, STRAIGHT AND RIGHT ANGLE



RECOMMENDED MOUNTING HOLE PATTERN  
(STRAIGHT VERSION)



RECOMMENDED MOUNTING HOLE PATTERN  
(RIGHT ANGLE VERSION)

## PART CUSTOMIZATION

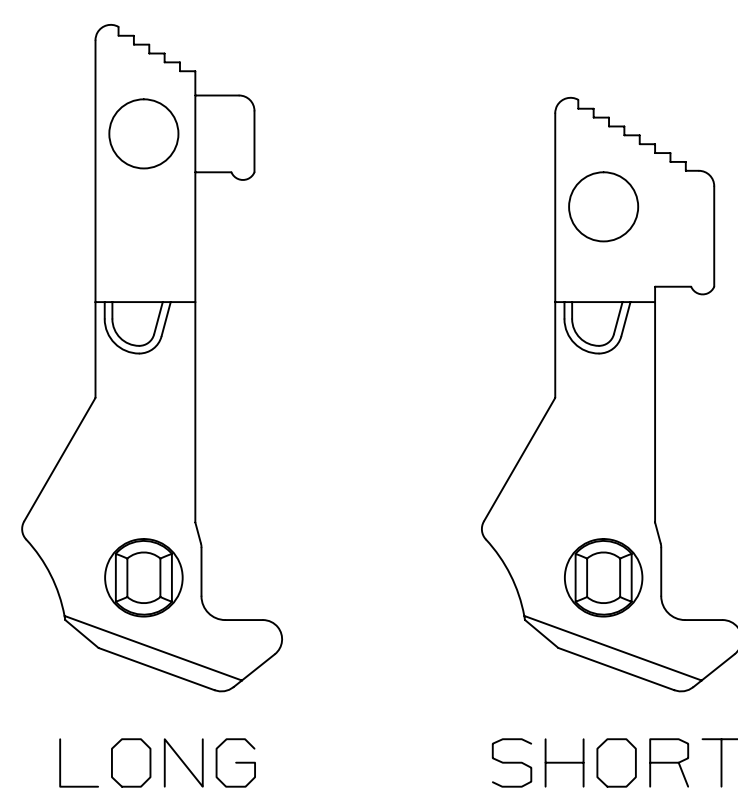
THIS SPEC SHEET DETAILS OUR STANDARD OFFERING.

3M HAS SEVERAL CAPABILITIES THAT CAN PROVIDE A PART TAILORED TO YOUR SPECIFIC NEEDS. ASK YOUR 3M SALES REPRESENTATIVE OR CUSTOMER SERVICE FOR MORE DETAILS.

BOTH SNAP-IN AND ROLL PIN LATCHES MAY BE ORDERED SEPARATELY. SNAP-IN AND ROLL PIN STYLE LATCHES ARE DIMENSIONALLY AND FUNCTIONALLY EQUIVALENT. IF ORDERING SNAP-IN OR ROLL PIN STYLE LATCHES SEPARATELY, PLEASE USE THE BELOW CHART.

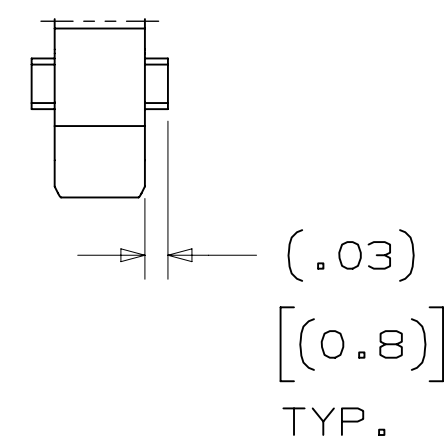
| MATERIAL         | SHORT LATCH | LONG LATCH | LATCH STYLE | COLOR |
|------------------|-------------|------------|-------------|-------|
| HIGH TEMP. (PCT) | N3505-2B    | N3505-3B   | ROLL PIN    | BLACK |
| HIGH TEMP (PPA)  | N3505-30B   | N3505-31B  | SNAP-IN     | BLACK |

- \* SELECTIVE PIN REMOVAL (ATA OR OTHER COMPATABILITY)
- \* WIRE WRAP TAILS STYLE

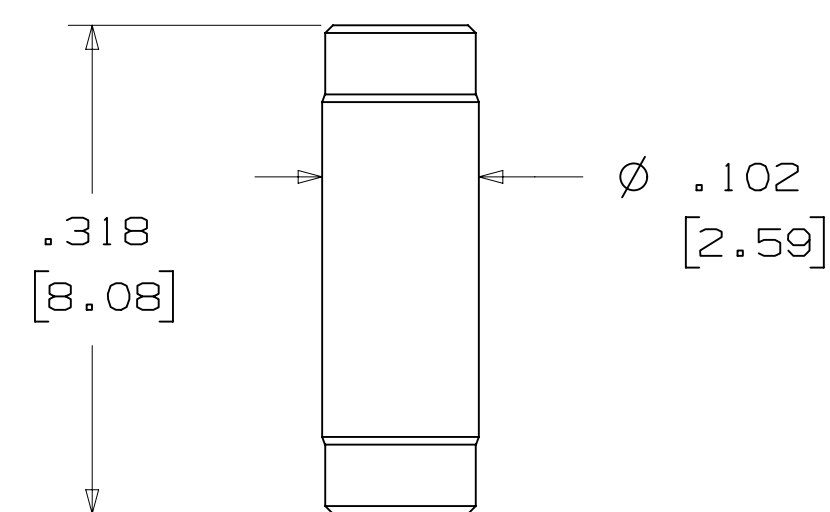


SNAP-IN LATCHES

NOTE:  
SNAP-IN LATCHES CAN ONLY BE ORDERED SEPARATELY AND ARE THE CUSTOMERS RESPONSIBILITY TO INSTALL.



## POLARIZING POST



| 3M PART NO. | MATERIAL | COLOR |
|-------------|----------|-------|
| 3201-4      | LCP      | BLACK |

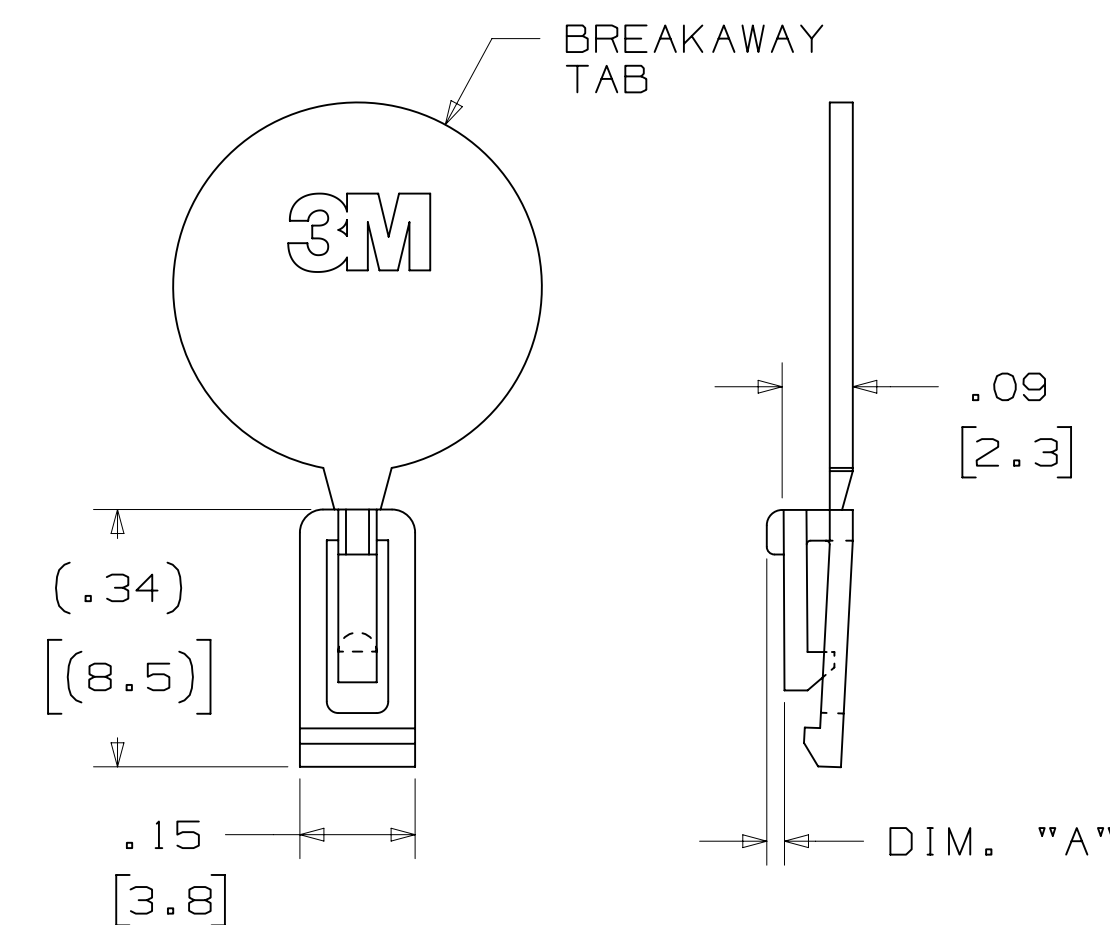
NOTE:  
INSERT POST INTO ONE MOUNTING HARDWARE HOLE ON BOTTOM OF HEADER. SET POST TO PROTRUDE .115 [2.92]

## K2 OPTION

| 2500 & 3000 SERIES SHROUDED HEADER |                     |                  |    |    |    |  |
|------------------------------------|---------------------|------------------|----|----|----|--|
| TOTAL NO. OF PINS                  | NO. OF TAILS KINKED | POSITIONS KINKED |    |    |    |  |
| 10                                 | 4                   | 3                | 4  | 7  | 8  |  |
| 14                                 | 4                   | 3                | 4  | 11 | 12 |  |
| 16                                 | 4                   | 3                | 4  | 13 | 14 |  |
| 20                                 | 4                   | 3                | 4  | 17 | 18 |  |
| 24                                 | 4                   | 3                | 4  | 21 | 22 |  |
| 26                                 | 4                   | 3                | 4  | 23 | 24 |  |
| 30                                 | 4                   | 5                | 6  | 25 | 26 |  |
| 34                                 | 4                   | 7                | 8  | 27 | 28 |  |
| 36                                 | 4                   | 7                | 8  | 27 | 28 |  |
| 40                                 | 4                   | 7                | 8  | 33 | 34 |  |
| 50                                 | 4                   | 7                | 8  | 43 | 44 |  |
| 60                                 | 4                   | 11               | 12 | 49 | 50 |  |
| 64                                 | 4                   | 11               | 12 | 53 | 54 |  |

KINKED TAIL DETAIL:  
- KINK IS LOCATED .05" BELOW BOTTOM SURFACE OF PLASTIC.  
- EXTERNAL RADIUS OF KINK TOWARD PART CENTERLINE.

## POLARIZING KEYS



| 3M PART NO. | MATERIAL | COLOR | DIM. "A" |
|-------------|----------|-------|----------|
| N3518       | LCP      | BLACK | .02      |

NOTE:  
#2216 B/A SCOTCHWELD CAN BE USED TO ADHERE KEYS.

|  |             |                            |      |      |
|--|-------------|----------------------------|------|------|
| S  | 60056       | MAR 06, 2015               | JNC  | RS   |
| R  | 56068       | JUL 25, 2014               | JNC  | RS   |
| REV  | ECO         | ISSUE DATE AND DESCRIPTION | DRFT | CHKD |
| CHKD   | CASTIGLIONE | DATE                       | DATE | DATE |
| APPV   | R. SCHERER  | DATE                       | DATE | DATE |
| DIVISION: Interconnect Solutions   DIVISION CODE: EMSD<br>DO NOT SCALE DRAWING   SCALE: 4/1<br>TOLERANCES EXCEPT AS NOTED:<br>INCHES: .00 ± .01, .000 ± .005, .0000 ±<br>MILLIMETERS: 0 ±, .0 ± .3, .00 ± .13<br>INTERPRET PER ASME Y14.5 - 2009<br>MAX SURFACE ROUGHNESS: SURFACES<br>MARKED ONLY |             |                            |      |      |
| TITLE: HEADER, 4-WALL, .100 X .100 LATCH/EJECTOR, STRAIGHT & RA<br>CAGE NUMBER: D78-5100-0772-3<br>MODEL: 3000 SERIES<br>DET: <input type="checkbox"/> YES <input checked="" type="checkbox"/> NO<br>SHT 3 OF 4  |             |                            |      |      |

178-5100-0772-3  
 3/6/2015 12:54 PM UTC-06:00

3M™ FOUR-WALL HEADER, 3000 SERIES  
 .100" X .100" LATCH/EJECTOR, STRAIGHT AND RIGHT ANGLE

MOUNTING HARDWARE



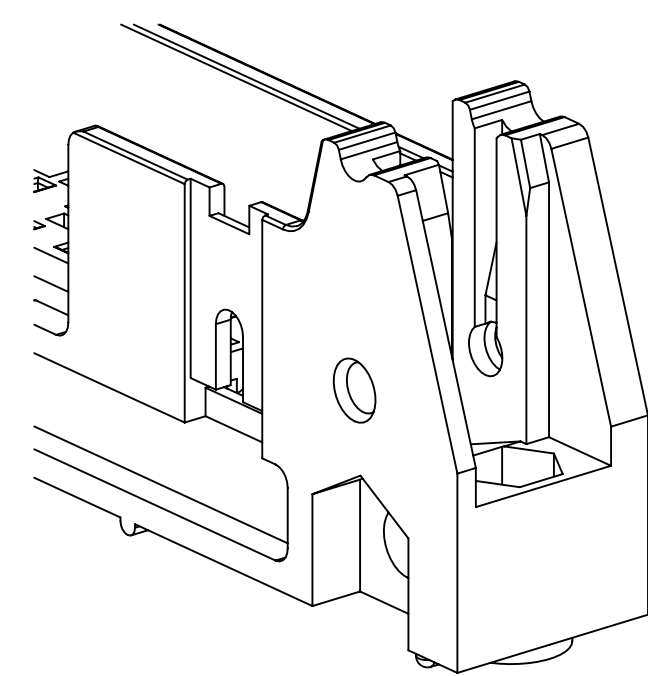
**3341-5**  
 (INSTALL FROM BOTTOM OF BOARD)  
 PANHEAD THREAD CUTTING SCREW:  
 #4-24 X 5/16"  
 TYPE: USA STD BT, FEDERAL BG  
 MATERIAL: STAINLESS STEEL



**3341-6**  
 HEX HEAD BOLT, NUT AND WASHER:  
 BOLT - #2-56 X 1/2"  
 MATERIAL: STAINLESS STEEL



**3341-6**  
 #2-56 NUT AND BOLT  
 TORQUE FOR EACH BOLT: 1.25 - 3.125 INCH LBS.



#4-24 TYPE BT SELF THREADING SCREW  
 WHEN USING LATCHES, MAXIMUM LENGTH  
 OF SCREW IS .250 INCHES PLUS  
 THICKNESS OF THE BOARD.  
 TORQUE FOR EACH SCREW IS 3-5 INCH LBS.



**3341-5**

|                        |                                 |   |      |                            |      |      |
|------------------------|---------------------------------|---|------|----------------------------|------|------|
| DESIGN REFERENCE       | NEXT ASSEMBLY                   | REV   | ECO  | ISSUE DATE AND DESCRIPTION | DRFT | CHKD |
|                        |                                 |   |      |                            |      |      |
| DATE                   | DATE                            | DATE  | DATE | DATE                       | DATE | DATE |
|                        |                                 |   |      |                            |      |      |
| DIVISION               | DIVISION CODE                   | © 3M COPYRIGHT 2015<br>This document and the information it contains are 3M property and may not be reproduced or further distributed without 3M permission, or used or disclosed other than for 3M authorized purposes. All rights reserved. |      |                            |      |      |
| Interconnect Solutions | EMSD                            | 3M Center<br>St. Paul, MN 55144   |      |                            |      |      |
| DO NOT SCALE DRAWING   | SCALE 4/1                       | TOLERANCES EXCEPT AS NOTED<br>INCHES<br>.00 ± .01<br>.000 ± .005<br>.0000 ±   |      |                            |      |      |
| THIRD ANGLE PROJECTION | INTERPRET PER ASME Y14.5 - 2009 | MILLIMETERS<br>0 ±<br>.0 ± .3<br>.00 ± .13<br>.000 ±  |      |                            |      |      |
| MAX SURFACE ROUGHNESS  | MARKED ONLY                     | CAGE NUMBER<br>MODEL 3000 SERIES  |      |                            |      |      |
|                        |                                 | TITLE<br>HEADER, 4-WALL, .100 X .100 LATCH/EJECTOR, STRAIGHT & RA   |      |                            |      |      |
|                        |                                 | DRAWING NO.<br>D 78-5100-0772-3 S   |      |                            |      |      |
|                        |                                 | REV.<br>SHT 4 OF 4  |      |                            |      |      |

78-5100-0772-3  
 DRAWING NUMBER  
 S  
 REVISION  
 3/6/2015 12:54 PM UTC-06:00  
 Imaged: S.1