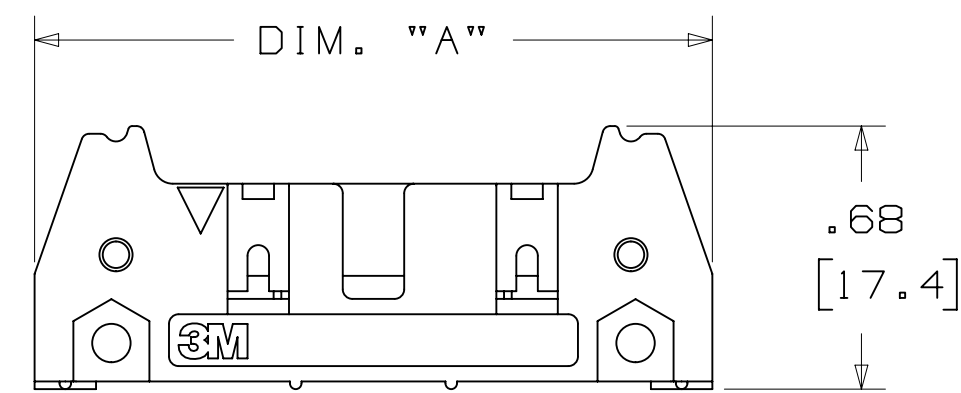
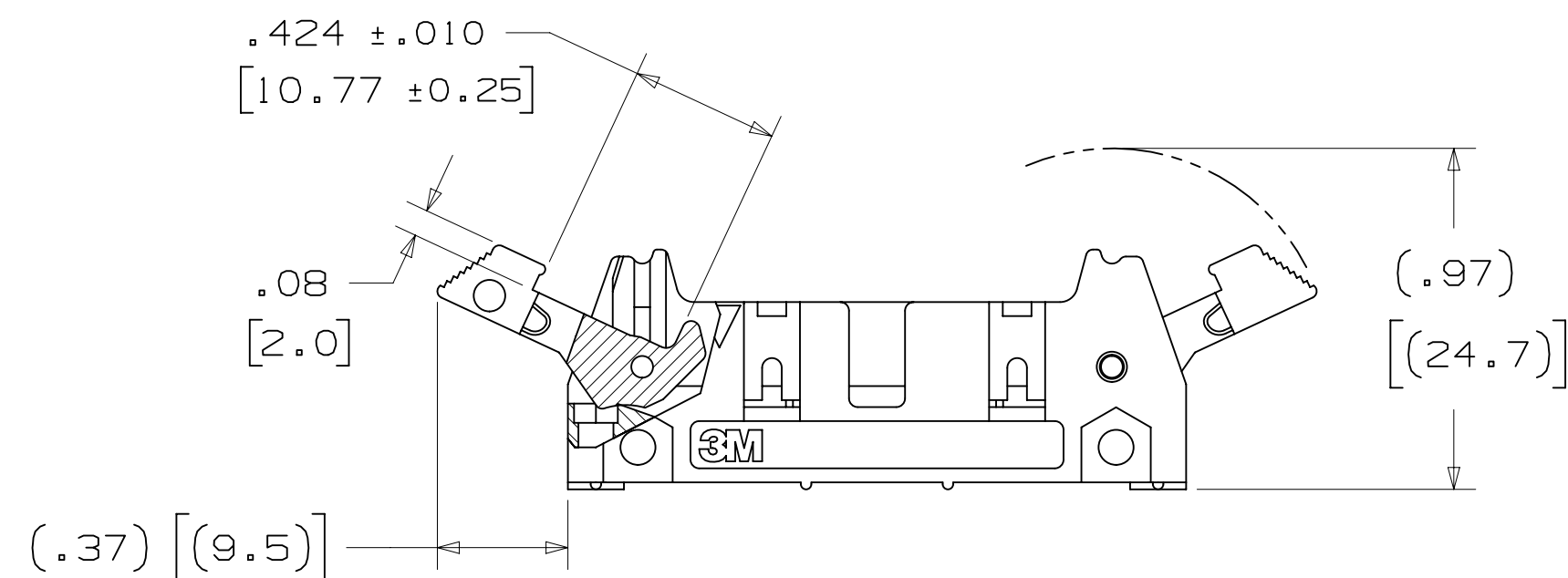


3M™ FOUR-WALL HEADER, 3000 SERIES

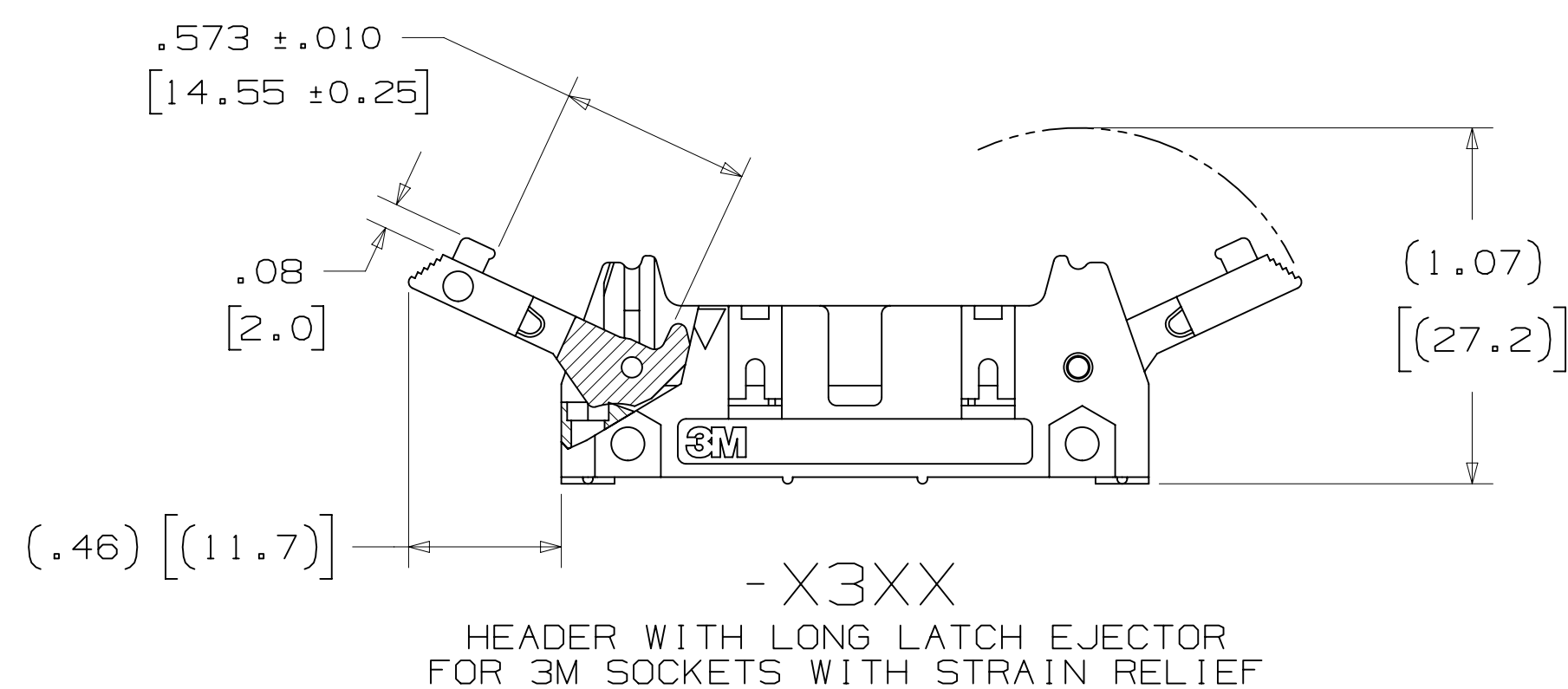
.100" X .100" LATCH/EJECTOR, STRAIGHT AND RIGHT ANGLE



-X0XX
HEADER WITHOUT LATCH/EJECTOR



-X2XX
HEADER WITH SHORT LATCH/EJECTOR
FOR 3M SOCKETS WITHOUT STRAIN RELIEF



-X3XX
HEADER WITH LONG LATCH/EJECTOR
FOR 3M SOCKETS WITH STRAIN RELIEF

- * MILITARY (WITH 3M'S N3518 POLARIZING KEY) AND CENTERBUMP POLARIZATION.
- * OPTIONAL EJECTOR LATCHES.
- * MOUNTING HOLES FOR SECURING HEADER TO BOARD.
- * OPTIONAL POLARIZING POSTS AVAILABLE.
- * HIGH TEMPERATURE INSULATOR SUITABLE FOR "NO LEAD" SOLDERING OPERATIONS.
- * SUITABLE FOR REFLOW SOLDERING USING "PASTE IN HOLE" TECHNIQUES.
- * SOLDER TAIL OPTION.

2 PHYSICAL :

INSULATOR: GLASS FILLED POLYESTER (PCT)
 MATERIAL: UL94V-0
 FLAMMABILITY: UL94V-0
 COLOR: BLACK
 CONTACT: COPPER ALLOY
 PLATING: 100μ" [2.54μm] NICKEL-OVERALL
 UNDER PLATING: 30μ" [0.76μm] AVG. GOLD
 WIPING AREA: TIN LEAD OR MATTE TIN (SEE ORDERING INFORMATION)
 MARKINGS: 3M LOGO, PART IDENTIFICATION NUMBER AND ORIENTATION TRIANGLE

2 ELECTRICAL :

CURRENT RATING: 5.00A, 1 CONTACT POWERED
 3.00A, 6 CONTACTS POWERED
 1.75A, ALL CONTACTS POWERED
 RATING CONDITIONS: EIA-364-070 METHOD 2, 30°C MAXIMUM TEMPERATURE RISE, 20% DERATED. REFERENCE APPROPRIATE 3M PRODUCT SPECIFICATION FOR DETAILED CURRENT DERATING CURVES.
 INSULATION RESISTANCE: >1 X 10⁹Ω AT 500 V_{DC}
 WITHSTANDING VOLTAGE: 1,000V_{RMS} AT SEA LEVEL

2 ENVIRONMENTAL :

TEMPERATURE RATING: -55°C TO 105°C
 PROCESS RATING: 260°C, PER J-STD-020C, SINGLE PASS
 MOISTURE SENSITIVITY LEVEL: 1 (PER J-STD-020C)

1. REGULATORY INFORMATION: ROHS COMPLIANT. SEE THE REGULATORY INFORMATION APPENDIX (RIA) IN THE "ROHS COMPLIANCE" SECTION OF WWW.3MCONNECTORS.COM FOR COMPLIANCE INFORMATION.
2. IN THE EVENT OF CONFLICT BETWEEN THIS DATA AND THAT CONTAINED IN THE PRODUCT SPECIFICATION, THE PRODUCT SPECIFICATION TAKES PRECEDENT.
3. NOTCHES A & C WILL ACCOMMODATE 3M POLARIZING KEY: N3518.
4. MOUNTING HARDWARE: FROM SOLDER SIDE OF PC BOARD USE #4-24 THREAD CUTTING SCREW (3M PART #3341-5) WITH Ø.116 [2.95] MOUNTING HOLE. FOR RIGHT ANGLE VERSION ONLY: #2-56 BOLT AND NUT (3M PART #3341-6) WITH Ø.106 [2.69] MOUNTING HOLE MAY BE USED.
5. THE RECOMMENDED PCB HOLE SIZE FOR THE KINKED TAIL POSITIONS ON THE .112 SOLDER TAIL CONNECTOR IS Ø.035±.002. (SEE K2 VERSION).

ORDERING INFORMATION

X3XXX - XXXXXX

N = HIGH TEMP BLACK (PCT)/(RB PLATING REQ'D)
 BLANK = (UB PLATING)

3M PART NUMBER:
 (SEE TABLE 1)

PIN CONFIGURATION:
 5 = RIGHT ANGLE SOLDER TAILS
 6 = STRAIGHT SOLDER TAILS

PLATING:

RB = 30μ" [0.76μm] GOLD AND 200μ" [5.08μm] MATTE TIN (APP. E1 & C1 APPLY)
 UB = 30μ" [0.76μm] GOLD AND 200μ" [5.08μm] TIN LEAD (APP. E3 & C2 APPLY)

TAIL:

02 = FOR .062 [1.57] THICK BOARD
 03 = FOR .094 TO .125 [2.39 TO 3.18] THICK BOARD
 K2 = KINKED FOR .062 [1.57] THICK BOARD

LATCH/EJECTOR SYSTEM:

0 = NO LATCH/EJECTOR INSTALLED
 2 = SHORT ROLL PIN LATCH/EJECTORS
 3 = LONG ROLL PIN LATCH/EJECTORS

DIMENSIONS: INCHES [MM]
 [MM] IS REF. ONLY

| DESIGN REFERENCE | NEXT ASSEMBLY | REV | ECO | ISSUE DATE AND DESCRIPTION | DRFT | CHKD | | | | | | | | | | | | | | | | |
|--|---------------------------------|----------------------------|---|---|--------------------|----------------------|--------------|-------|-------------------------------------|--------------------------|-----|-------|-------|---|-------------|--|---|-----|----|------|------|---|
| | | S | 60056 | MAR 06, 2015 REVISE ORDERING NUMBER | JNC | RS | | | | | | | | | | | | | | | | |
| | | R | 56068 | JUL 25, 2014 REVISED AND REDRAWN | JNC | RS | | | | | | | | | | | | | | | | |
| DRW CODES | | CHKD | CASTIGLIONE | DATE JUL 25, 2014 | APPR R. SCHERER | DATE SEP 05, 2014 | | | | | | | | | | | | | | | | |
| DIVISION | Interconnect Solutions | DIVISION CODE | EMSD | © 3M COPYR [GHT] 2015 This document and the information it contains are 3M property and may not be reproduced or further distributed without 3M permission, or used or disclosed other than for 3M authorized purposes. All rights reserved. | | | | | | | | | | | | | | | | | | |
| DO NOT SCALE DRAWING | SCALE 2/1 | TOLERANCES EXCEPT AS NOTED | <table border="0"> <tr> <td colspan="2">INCHES</td> </tr> <tr> <td>.0</td> <td>±.01</td> </tr> <tr> <td>.00</td> <td>±.005</td> </tr> <tr> <td>.0000</td> <td>±</td> </tr> <tr> <td colspan="2">MILLIMETERS</td> </tr> <tr> <td>0</td> <td>±.3</td> </tr> <tr> <td>.0</td> <td>±.13</td> </tr> <tr> <td>.000</td> <td>±</td> </tr> </table> | | | | INCHES | | .0 | ±.01 | .00 | ±.005 | .0000 | ± | MILLIMETERS | | 0 | ±.3 | .0 | ±.13 | .000 | ± |
| INCHES | | | | | | | | | | | | | | | | | | | | | | |
| .0 | ±.01 | | | | | | | | | | | | | | | | | | | | | |
| .00 | ±.005 | | | | | | | | | | | | | | | | | | | | | |
| .0000 | ± | | | | | | | | | | | | | | | | | | | | | |
| MILLIMETERS | | | | | | | | | | | | | | | | | | | | | | |
| 0 | ±.3 | | | | | | | | | | | | | | | | | | | | | |
| .0 | ±.13 | | | | | | | | | | | | | | | | | | | | | |
| .000 | ± | | | | | | | | | | | | | | | | | | | | | |
| THIRD ANGLE PROJECTION | INTERPRET PER ASME Y14.5 - 2009 | MAX SURFACE ROUGHNESS | <table border="0"> <tr> <td>DTX SURFACES</td> <td>ANGLS</td> </tr> <tr> <td><input checked="" type="checkbox"/></td> <td><input type="checkbox"/></td> </tr> </table> | | | | DTX SURFACES | ANGLS | <input checked="" type="checkbox"/> | <input type="checkbox"/> | | | | | | | | | | | | |
| DTX SURFACES | ANGLS | | | | | | | | | | | | | | | | | | | | | |
| <input checked="" type="checkbox"/> | <input type="checkbox"/> | | | | | | | | | | | | | | | | | | | | | |
| TITLE | | CAGE NUMBER | SIZE | DRAWING NO. | REV. | | | | | | | | | | | | | | | | | |
| HEADER, 4-WALL, .100 X .100 LATCH/EJECTOR, STRAIGHT & RA | | D | | 78-5100-0772-3 | S | | | | | | | | | | | | | | | | | |
| MODEL | | 3000 SERIES | DET | ISTS | YES | NO | | | | | | | | | | | | | | | | |
| | | | | | SHT | 1 OF 4 | | | | | | | | | | | | | | | | |

3M ELECTRONIC MATERIALS SOLUTIONS DIVISION
 INTERCONNECT SOLUTIONS
<http://www.3mconnectors.com>

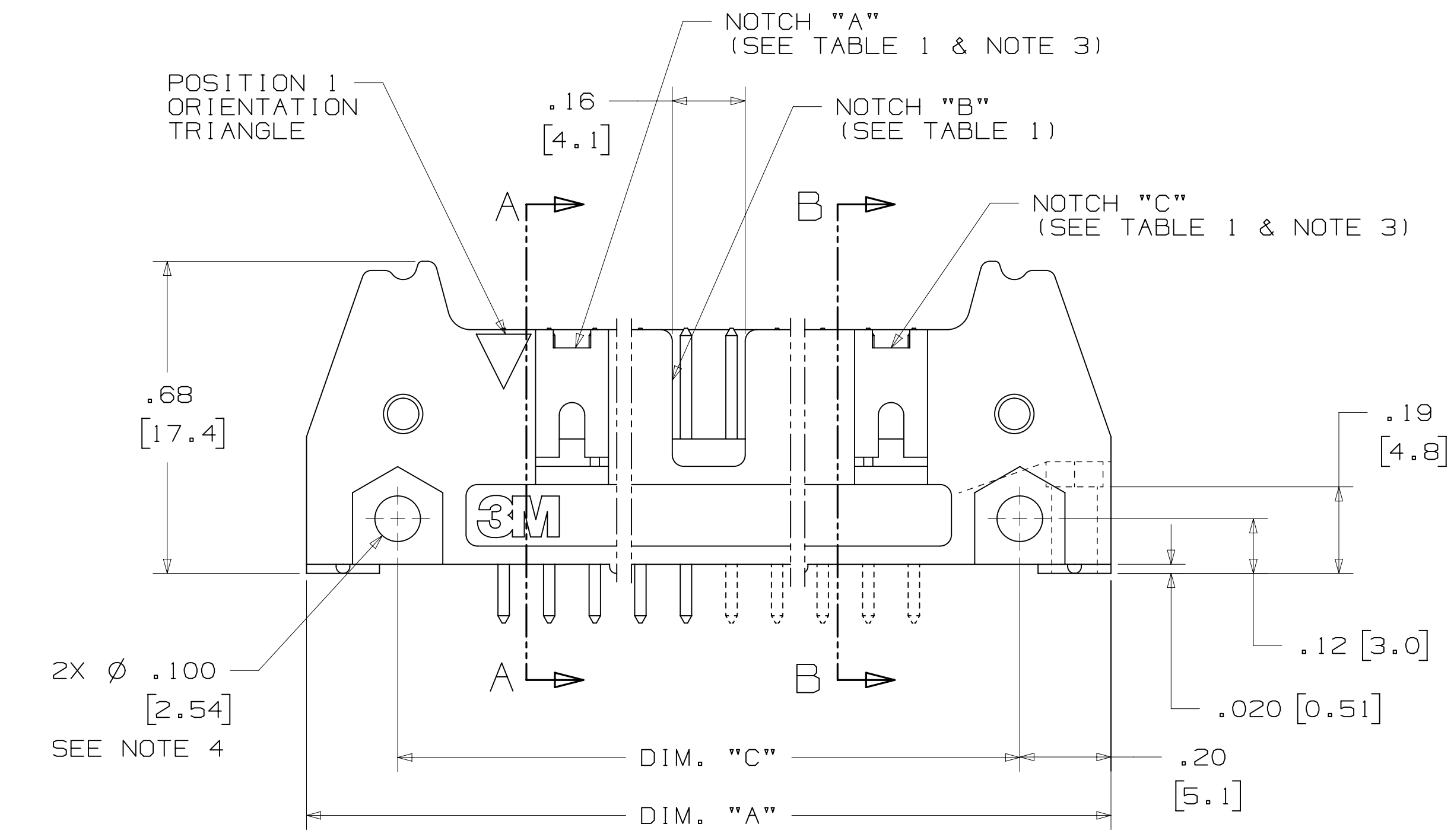
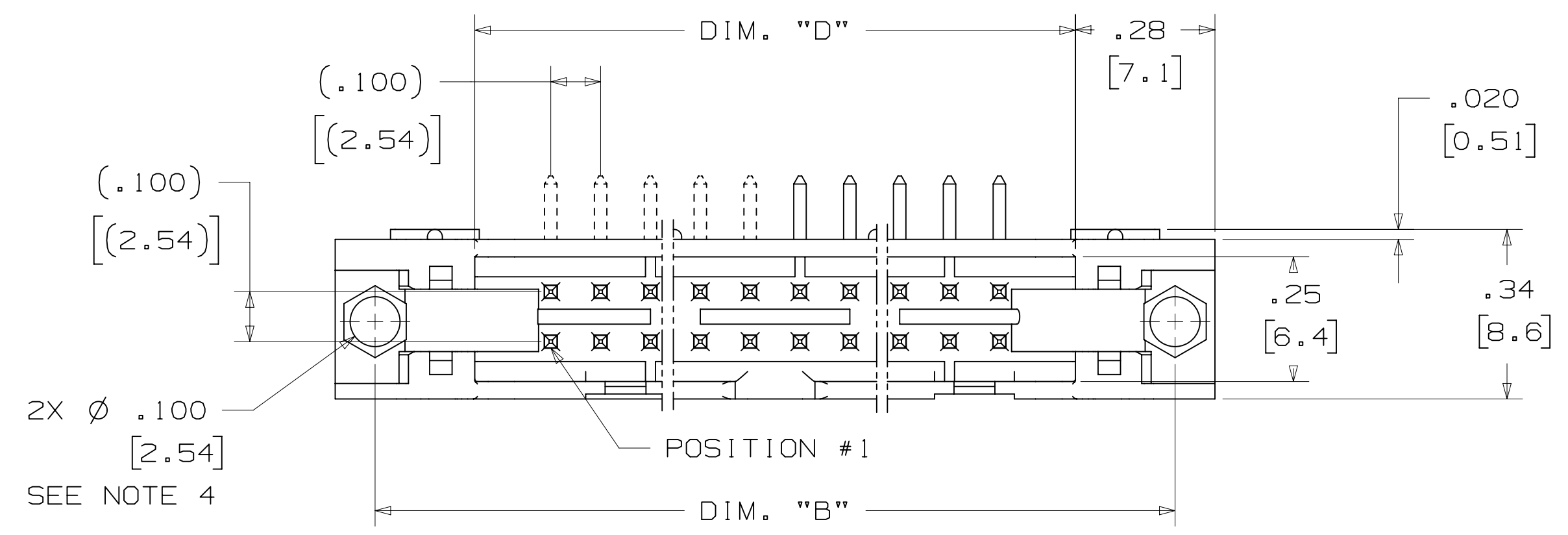
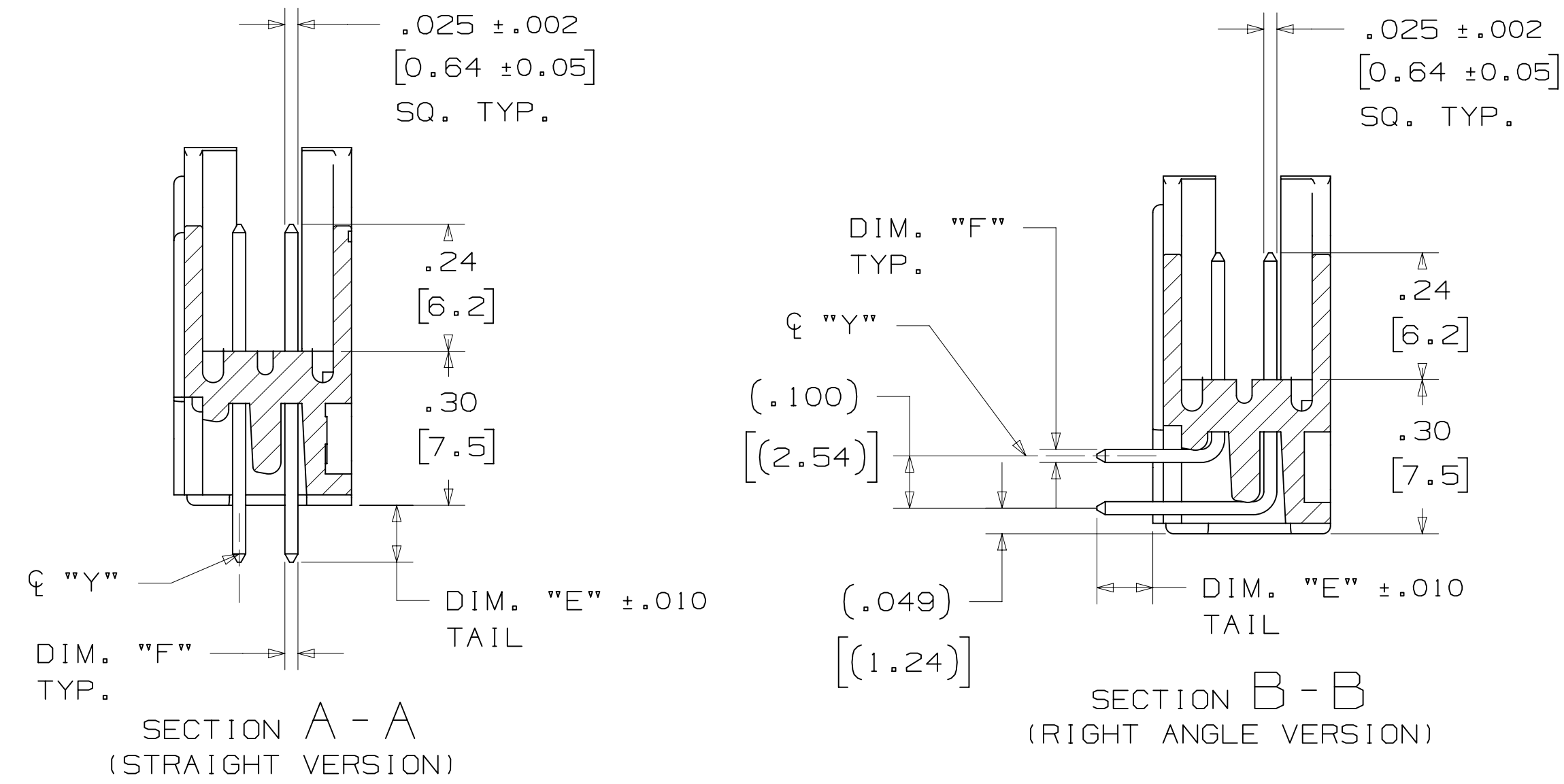
3M IS A TRADEMARK OF 3M COMPANY.
 FOR TECHNICAL, SALES OR ORDERING
 INFORMATION CALL 800-225-5373

CAUS
 UL FILE NO: E68080

78-5100-0772-3
 DRAWING NUMBER
 12:54 PM UTC-06:00
 S
 REVISION
 B
 A

3M™ FOUR-WALL HEADER, 3000 SERIES

.100" X .100" LATCH/EJECTOR, STRAIGHT AND RIGHT ANGLE



| PIN QTY. | 3M PART NUMBER | DIM. "A" | DIM. "B" | DIM. "C" | DIM. "D" | POLARIZING NOTCHES | PIN QTY. |
|----------|----------------|--------------|---------------|---------------|-------------|--------------------|----------|
| 06 | 3869 | 1.06 [27.0] | .905 [22.99] | .665 [16.89] | .51 [12.9] | B* | 06 |
| 08 | 3889 | 1.16 [29.5] | 1.005 [25.53] | .765 [19.43] | .61 [15.5] | B* | 08 |
| 10 | 3793 | 1.26 [32.1] | 1.105 [28.04] | .865 [21.97] | .71 [18.0] | BC | 10 |
| 14 | 3314 | 1.46 [37.2] | 1.305 [33.12] | 1.065 [27.05] | .91 [23.1] | BC | 14 |
| 16 | 3408 | 1.56 [39.7] | 1.405 [35.66] | 1.165 [29.59] | 1.01 [25.6] | ABC | 16 |
| 20 | 3428 | 1.76 [44.8] | 1.604 [40.74] | 1.365 [34.67] | 1.21 [30.7] | ABC | 20 |
| 24 | 3627 | 1.96 [49.9] | 1.805 [45.82] | 1.565 [39.75] | 1.41 [35.8] | ABC | 24 |
| 26 | 3429 | 2.06 [52.4] | 1.905 [48.36] | 1.665 [42.29] | 1.51 [38.3] | ABC | 26 |
| 30 | 3440 | 2.26 [57.5] | 2.105 [53.44] | 1.865 [47.37] | 1.71 [43.4] | ABC | 30 |
| 34 | 3431 | 2.46 [62.6] | 2.305 [58.52] | 2.065 [52.45] | 1.91 [48.5] | ABC | 34 |
| 40 | 3432 | 2.76 [70.2] | 2.605 [66.14] | 2.365 [60.07] | 2.21 [56.1] | ABC | 40 |
| 50 | 3433 | 3.26 [82.9] | 3.105 [78.84] | 2.865 [72.77] | 2.71 [68.8] | ABC | 50 |
| 60 | 3372 | 3.76 [95.6] | 3.605 [91.54] | 3.365 [85.47] | 3.21 [81.5] | ABC | 60 |
| 64 | 3764 | 3.96 [100.7] | 3.805 [96.62] | 3.565 [90.55] | 3.41 [86.6] | ABC | 64 |

* AVAILABLE WITHOUT CENTER NOTCH B. CONTACT 3M

| 3M PART NUMBER SUFFIX | CONTACT TAIL | DIM. "E" | PIN CROSS SECTION | | | DIM. "G" |
|-----------------------|----------------------------|-------------|--------------------|-----------------|-------------------|-----------------|
| -5XX2 | .062 [1.57] THICK PC BOARD | .112 [2.84] | DIM. "F" | DIAGONALS | CORNER RADIUS | .035±.003 [.89] |
| -6XX2 | | | .0245±.0005 [.622] | .028±.001 [.71] | .0075 REF. [.191] | SEE NOTE 5 |
| -5X03 | .094 [2.39] TO | .155 [3.94] | .0245±.0005 [.622] | .028±.001 [.71] | .0075 REF. [.191] | .035±.003 [.89] |
| -6X03 | .125 [3.18] THICK PC BOARD | | | | | |

| | | | | | | |
|--|---------------|--|-----|---|------|------|
| DESIGN REFERENCE | NEXT ASSEMBLY | REV | ECO | ISSUE DATE AND DESCRIPTION | DRFT | CHKD |
| | | CASTIGLIONE | | JUL 25, 2014 | | |
| DIVISION: Interconnect Solutions | | DIVISION CODE: EMSD | | DATE: SEP 05, 2014 | | |
| DO NOT SCALE DRAWING | SCALE: 4/1 | TOLERANCES EXCEPT AS NOTED | | | | |
| THIRD ANGLE PROJECTION | | INCHES: .00 ±.01, .000 ±.005, .0000 ± | | TITLE: HEADER, 4-WALL, .100 X .100 LATCH/EJECTOR, STRAIGHT & RA | | |
| INTERPRET PER ASME Y14.5 - 2009 | | MILLIMETERS: 0 ±, .0 ±.3, .00 ±.13, .000 ± | | CAGE NUMBER: D78-5100-0772-3 | | |
| MAX SURFACE ROUGHNESS: 12.5 SURFACES MARKED ONLY | | ANGLES: 30° | | MODEL: 3000 SERIES | | |

78-5100-0772-3
 3/6/2015 12:54 PM UTC-06:00
 SHT 2 OF 4

3M™ FOUR-WALL HEADER, 3000 SERIES
 .100" X .100" LATCH/EJECTOR, STRAIGHT AND RIGHT ANGLE

MOUNTING HARDWARE



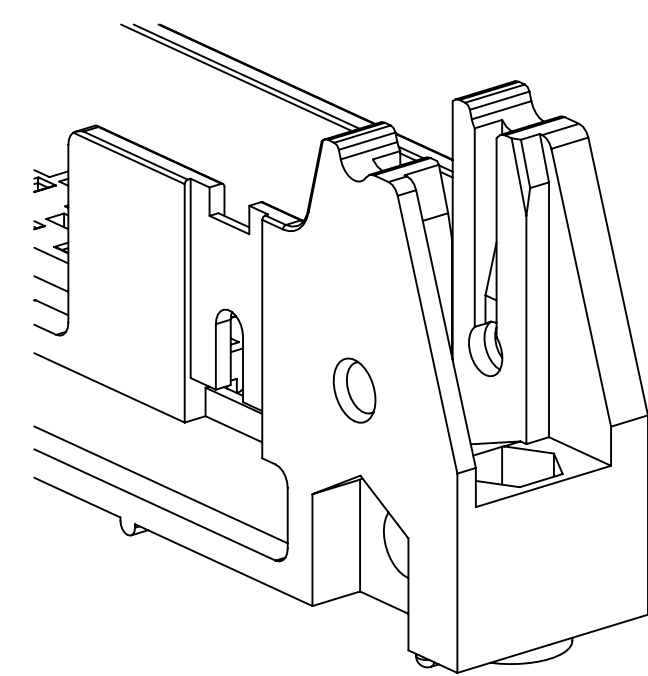
3341-5
 (INSTALL FROM BOTTOM OF BOARD)
 PANHEAD THREAD CUTTING SCREW:
 #4-24 X 5/16"
 TYPE: USA STD BT, FEDERAL BG
 MATERIAL: STAINLESS STEEL



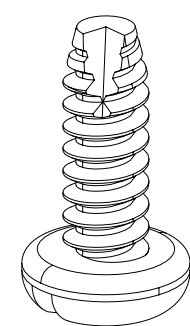
3341-6
 HEX HEAD BOLT, NUT AND WASHER:
 BOLT - #2-56 X 1/2"
 MATERIAL: STAINLESS STEEL



3341-6
 #2-56 NUT AND BOLT
 TORQUE FOR EACH BOLT: 1.25 - 3.125 INCH LBS.



#4-24 TYPE BT SELF THREADING SCREW
 WHEN USING LATCHES, MAXIMUM LENGTH
 OF SCREW IS .250 INCHES PLUS
 THICKNESS OF THE BOARD.
 TORQUE FOR EACH SCREW IS 3-5 INCH LBS.



3341-5

| | | | | | | |
|------------------------|---------------------------------|---|------|----------------------------|------|------|
| DESIGN REFERENCE | NEXT ASSEMBLY | REV | ECO | ISSUE DATE AND DESCRIPTION | DRFT | CHKD |
| | | | | | | |
| DATE | DATE | DATE | DATE | DATE | DATE | DATE |
| | | | | | | |
| DIVISION | DIVISION CODE | © 3M COPYRIGHT 2015 This document and the information it contains are 3M property and may not be reproduced or further distributed without 3M permission, or used or disclosed other than for 3M authorized purposes. All rights reserved. | | | | |
| Interconnect Solutions | EMSD | 3M Center St. Paul, MN 55144 | | | | |
| DO NOT SCALE DRAWING | SCALE 4/1 | TOLERANCES EXCEPT AS NOTED INCHES .00 ± .01 .000 ± .005 .0000 ± | | | | |
| THIRD ANGLE PROJECTION | INTERPRET PER ASME Y14.5 - 2009 | MILLIMETERS 0 ± .0 ± .3 .00 ± .13 .000 ± | | | | |
| MAX SURFACE ROUGHNESS | MARKED ONLY | CAGE NUMBER MODEL 3000 SERIES | | | | |
| | | TITLE HEADER, 4-WALL, .100 X .100 LATCH/EJECTOR, STRAIGHT & RA | | | | |
| | | CAGE NUMBER DRAWING NO. DET. 1S1S <input type="checkbox"/> YES <input checked="" type="checkbox"/> NO SHT 4 OF 4 | | | | |
| | | REV. 56056 MAR 06, 2015 JNC RS REVISE ORDERING NUMBER 56068 JUL 25, 2014 JNC RS REVISED AND REDRAWN CASTIGLIONE JUL 25, 2014 R. SCHERER SEP 05, 2014 | | | | |

78-5100-0772-3
 DRAWING NUMBER
 S
 REVISION
 12:54 PM UTC-06:00
 3/6/2015
 S.1