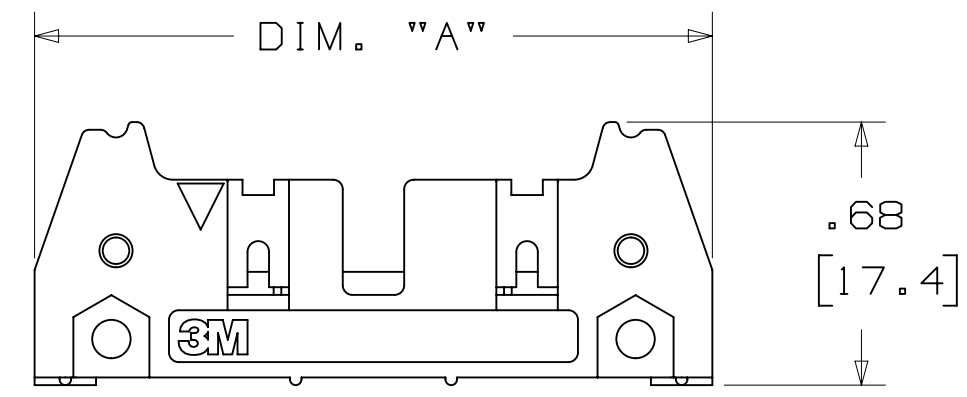
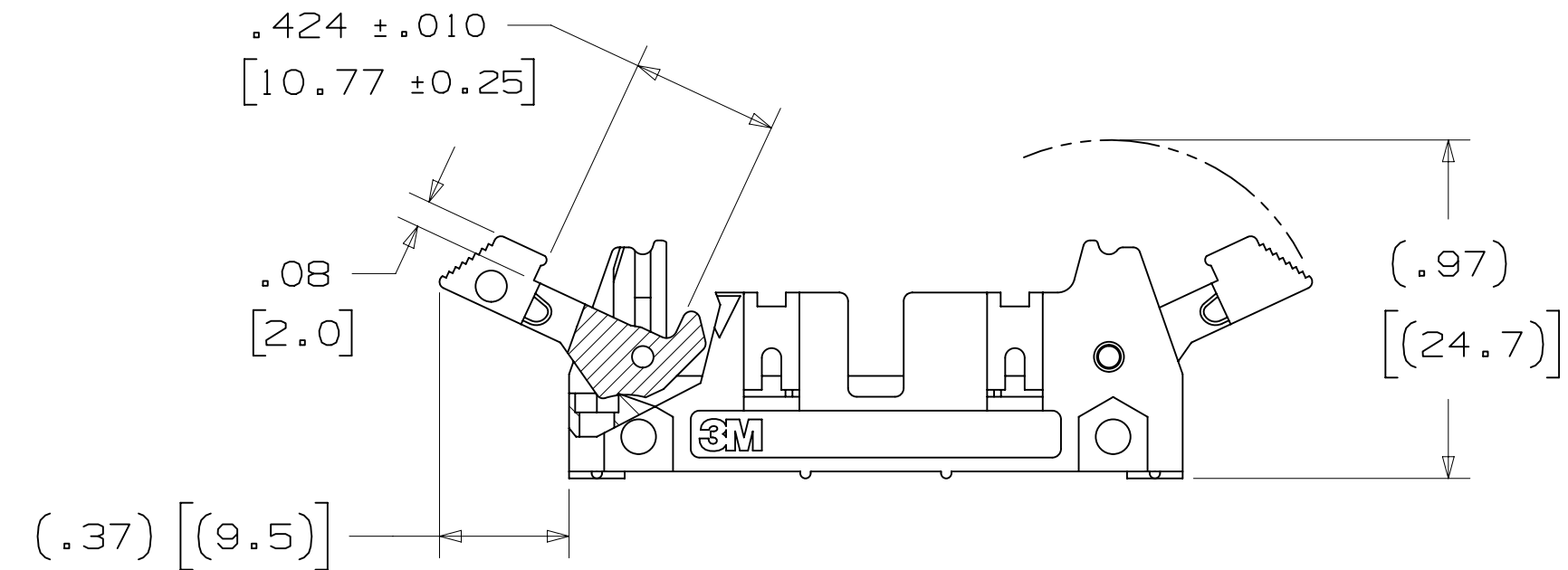


3M™ THREE-WALL HEADER, 3000 SERIES

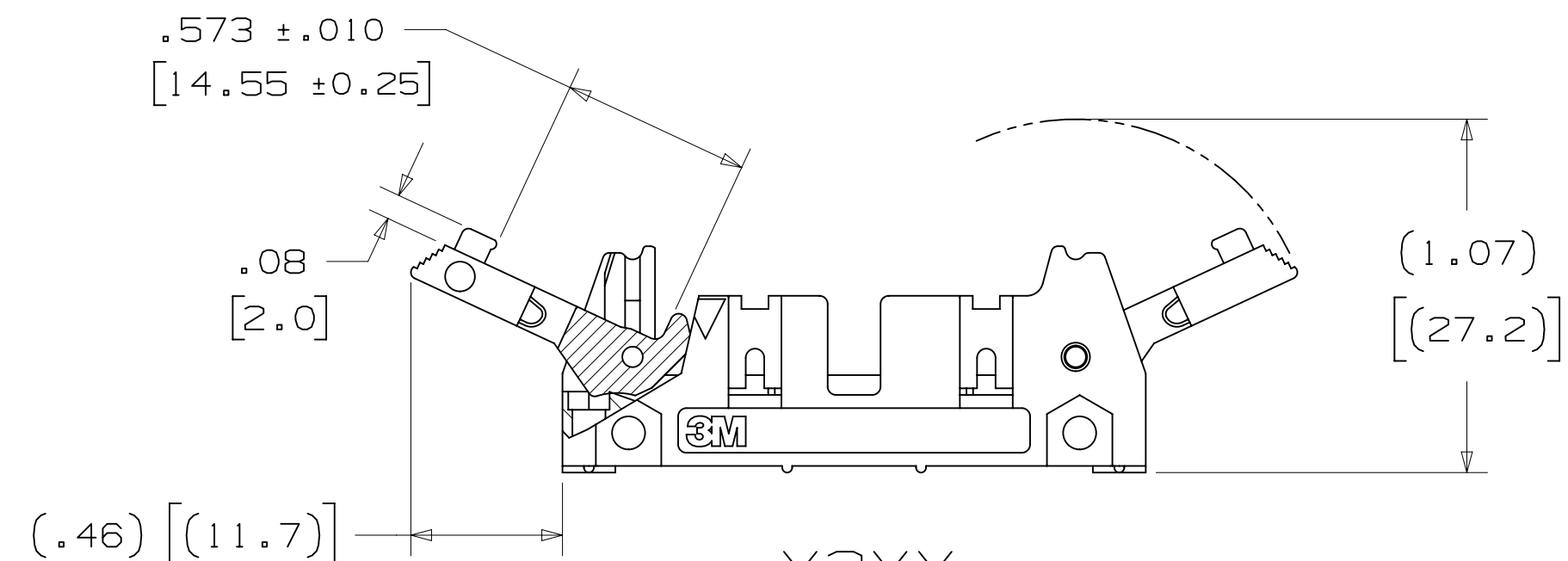
.100" X .100" LATCH/EJECTOR, STRAIGHT AND RIGHT ANGLE



-X0XX
HEADER WITHOUT LATCH/EJECTOR



-X2XX
HEADER WITH SHORT LATCH/EJECTOR
FOR 3M SOCKETS WITHOUT STRAIN RELIEF



-X3XX
HEADER WITH LONG LATCH/EJECTOR
FOR 3M SOCKETS WITH STRAIN RELIEF

- * MILITARY (WITH 3M'S N3518 POLARIZING KEY) AND CENTERBUMP POLARIZATION.
- * LOW PROFILE.
- * OPTIONAL EJECTOR LATCHES.
- * MOUNTING HOLES FOR SECURING HEADER TO BOARD.
- * THREE WALL SHROUD PROVIDES DESIGN FLEXIBILITY.
- * SOLDER TAIL AND WRAP TAIL OPTIONS.
- * OPTIONAL POLARIZING POSTS AVAILABLE.
- * HIGH TEMPERATURE INSULATOR SUITABLE FOR "NO LEAD" SOLDERING OPERATIONS.
- * SUITABLE FOR REFLOW SOLDERING USING "PASTE IN HOLE" TECHNIQUES.

2 PHYSICAL :

INSULATOR: GLASS FILLED POLYESTER (PCT)
 MATERIAL: UL94V-0
 FLAMMABILITY: BLACK
 COLOR: COPPER ALLOY
 CONTACT: PLATING:
 UNDER PLATING: 100µ" [2.54µm] NICKEL-OVERALL
 WIPING AREA: 30µ" [0.76µm] AVG. GOLD
 SOLDER TAILS: 200µ" [5.08µm] TIN LEAD OR MATTE TIN (SEE ORDERING INFORMATION)
 MARKINGS: 3M LOGO, PART IDENTIFICATION NUMBER AND ORIENTATION TRIANGLE

2 ELECTRICAL :

CURRENT RATING: 5.00A, 1 CONTACT POWERED
 3.00A, 6 CONTACTS POWERED
 1.75A, ALL CONTACTS POWERED
 RATING CONDITIONS: EIA-364-070 METHOD 2, 30°C MAXIMUM TEMPERATURE RISE, 20% DERATED. REFERENCE APPROPRIATE 3M PRODUCT SPECIFICATION FOR DETAILED CURRENT DERATING CURVES.
 INSULATION RESISTANCE: >1 X 10⁹Ω AT 500 V_{DC}
 WITHSTANDING VOLTAGE: 1,000V_{RMS} AT SEA LEVEL

2 ENVIRONMENTAL :

TEMPERATURE RATING: -55°C TO 105°C
 PROCESS RATING: 260°C, PER J-STD-020C, SINGLE PASS
 MOISTURE SENSITIVITY LEVEL: 1 (PER J-STD-020C)

- NOTES
1. REGULATORY INFORMATION: ROHS COMPLIANT. SEE THE REGULATORY INFORMATION APPENDIX (RIA) IN THE "ROHS COMPLIANCE" SECTION OF WWW.3MCONNECTORS.COM FOR COMPLIANCE INFORMATION.
 2. IN THE EVENT OF CONFLICT BETWEEN THIS DATA AND THAT CONTAINED IN THE PRODUCT SPECIFICATION, THE PRODUCT SPECIFICATION TAKES PRECEDENT.
 3. NOTCHES A & C WILL ACCOMMODATE 3M POLARIZING KEY: N3518).
 4. MOUNTING HARDWARE: FROM SOLDER SIDE OF PC BOARD USE #4-24 THREAD CUTTING SCREW (3M PART #3341-5) WITH Ø.116 [2.95] MOUNTING HOLE. FOR RIGHT ANGLE VERSION ONLY: #2-56 BOLT AND NUT (3M PART #3341-6) WITH Ø.106 [2.69] MOUNTING HOLE MAY BE USED.
 5. THE RECOMMENDED PCB HOLE SIZE FOR THE KINKED TAIL POSITIONS ON THE .112 SOLDER TAIL CONNECTOR IS Ø.035±.002. (SEE K2 VERSION).

ORDERING INFORMATION

X3XXX-XXXXXX

N= HIGH TEMP BLACK (PCT)/(RB PLATING REQ'D)
 BLANK= (UB PLATING)

3M PART NUMBER:
 (SEE TABLE 1)

PIN CONFIGURATION:
 1 = RIGHT ANGLE SOLDER TAILS
 2 = STRAIGHT SOLDER TAILS

PLATING:

RB = 30µ" [0.76µm] GOLD AND 200µ" [5.08µm] MATTE TIN (APP. E1 & C1 APPLY)
 UB = 30µ" [0.76µm] GOLD AND 200µ" [5.08µm] TIN LEAD (APP. E3 & C2 APPLY)

TAIL:

02 = FOR .062 [1.57] THICK BOARD
 03 = FOR .094 TO .125 [2.39 TO 3.18] THICK BOARD
 K2 = KINKED FOR .062 [1.57] THICK BOARD

LATCH/EJECTOR SYSTEM:

0 = NO LATCH/EJECTOR INSTALLED
 2 = SHORT ROLL PIN LATCH/EJECTORS
 3 = LONG ROLL PIN LATCH/EJECTORS

DIMENSIONS: INCHES [MM]
 [MM] IS REF. ONLY

DESIGN REFERENCE	NEXT ASSEMBLY	REV	ECO	ISSUE DATE AND DESCRIPTION	DRFT	CHKD
		H	60056	MAR 06, 2015 REVISE ORDERING NUMBER	JNC	RS
		G	56068	AUG 05, 2014 REVISED AND REDRAWN	JNC	RS
DATE	DATE	DATE	DATE	DATE	DATE	DATE
CHKD	CHKD	APPR	APPR	DATE	DATE	DATE
				AUG 05, 2014		SEP 05, 2014
				R. SCHERER		
DIVISION	DIVISION CODE	© 3M COPYR[IGHT] 2015 This document and the information it contains are 3M property and may not be reproduced or further distributed without 3M permission, or used or disclosed other than for 3M authorized purposes. All rights reserved.				
Interconnect Solutions	EMSD	3M Center St. Paul, MN 55144				
DO NOT SCALE DRAWING	SCALE 1	TOLERANCES EXCEPT AS NOTED INCHES .0 ± .01 .00 ± .005 .0000 ±				
THIRD ANGLE PROJECTION		MILLIMETERS 0 ± .3 .00 ± .13 .000 ±				
INTERPRET PER ASME Y14.5 - 2009		MAX SURFACE ROUGHNESS SURFACES MARKED ONLY				
		TITLE	HEADER, 3-WALL, .100 X .100 LATCH/EJECTOR, STRAIGHT & RA			
		CAGE NUMBER	SIZE	DRAWING NO.	REV.	
		D		78-5100-0771-5	H	
		MODEL	3000 SERIES		SHT 1 OF 4	



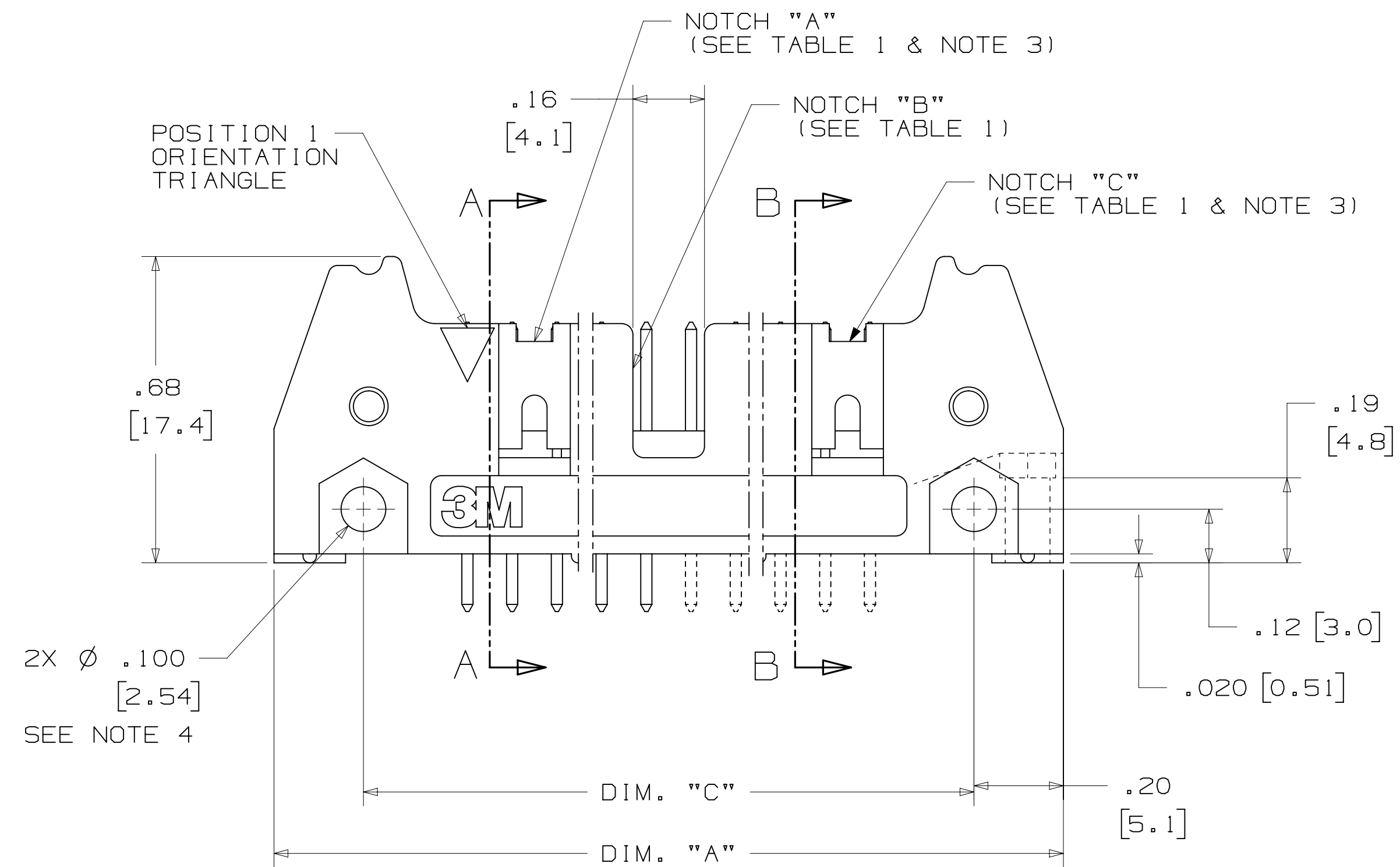
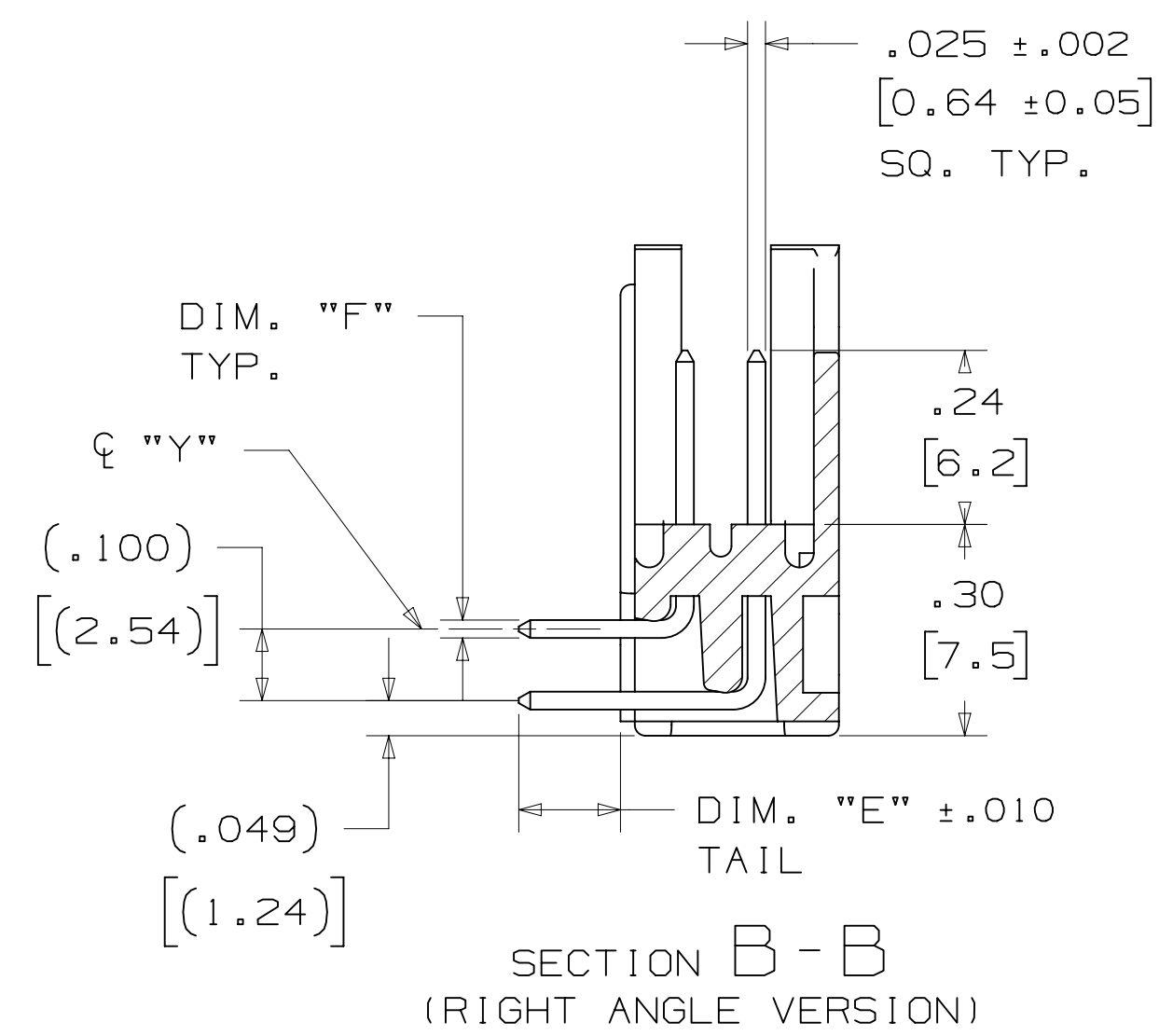
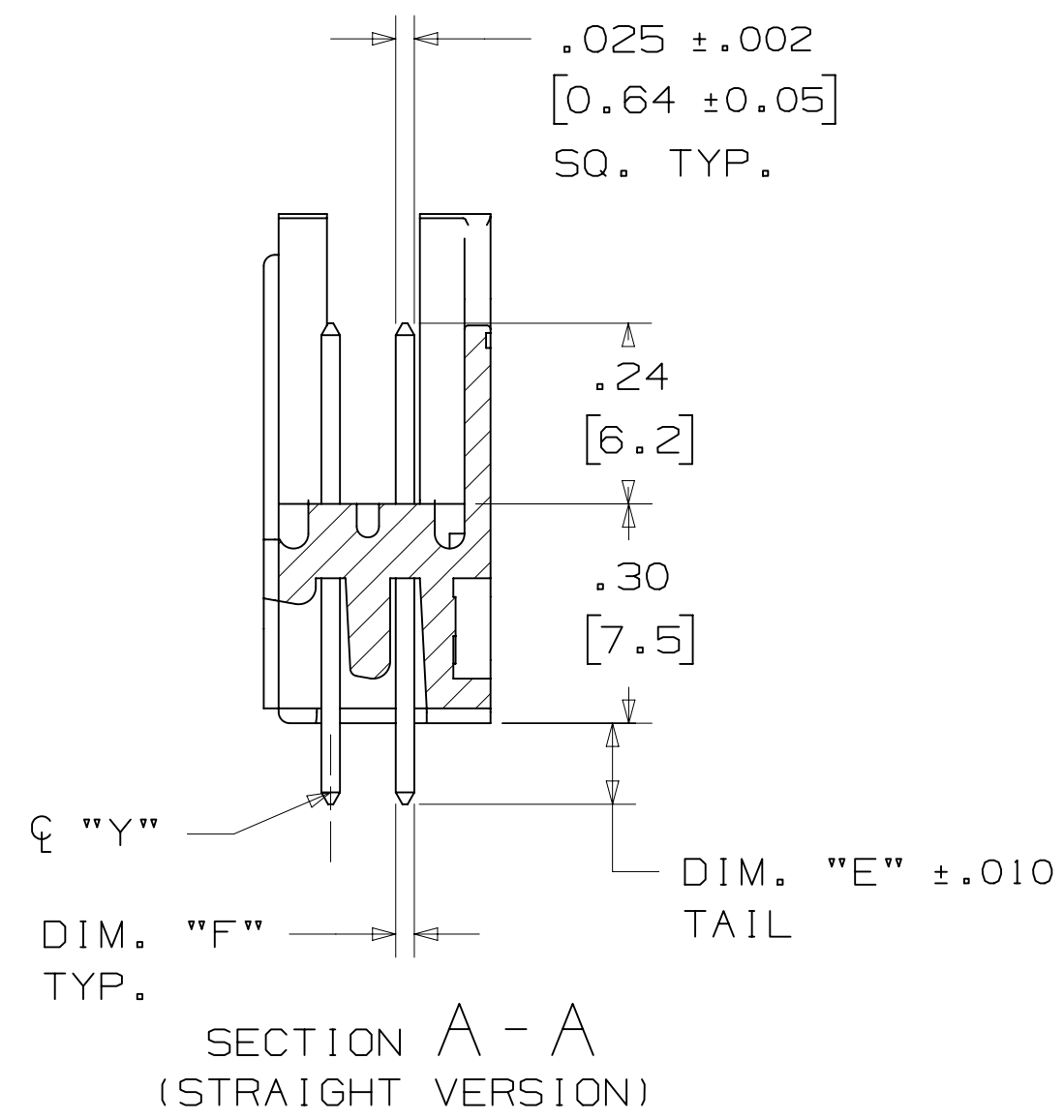
3M ELECTRONIC MATERIALS SOLUTIONS DIVISION
 INTERCONNECT SOLUTIONS
<http://www.3mconnectors.com>

3M IS A TRADEMARK OF 3M COMPANY.
 FOR TECHNICAL, SALES OR ORDERING INFORMATION CALL 800-225-5373

78-5100-0771-5
 H REVISION
 12:53 PM UTC-06:00
 3/6/2015

3M™ THREE-WALL HEADER, 3000 SERIES

.100" X .100" LATCH/EJECTOR, STRAIGHT AND RIGHT ANGLE



PIN QTY.	3M PART NUMBER	DIM. "A"	DIM. "B"	DIM. "C"	DIM. "D"	POLARIZING NOTCHES	PIN QTY.
10	3793	1.26 [32.1]	1.105 [28.04]	.865 [21.97]	.71 [18.0]	BC	10
14	3314	1.46 [37.2]	1.305 [33.12]	1.065 [27.05]	.91 [23.1]	BC	14
16	3408	1.56 [39.7]	1.405 [35.66]	1.165 [29.59]	1.01 [25.6]	ABC	16
20	3428	1.76 [44.8]	1.604 [40.74]	1.365 [34.67]	1.21 [30.7]	ABC	20
26	3429	2.06 [52.4]	1.905 [48.36]	1.665 [42.29]	1.51 [38.3]	ABC	26
34	3431	2.46 [62.6]	2.305 [58.52]	2.065 [52.45]	1.91 [48.5]	ABC	34
40	3432	2.76 [70.2]	2.605 [66.14]	2.365 [60.07]	2.21 [56.1]	ABC	40
50	3433	3.26 [82.9]	3.105 [78.84]	2.865 [72.77]	2.71 [68.8]	ABC	50
60	3372	3.76 [95.6]	3.605 [91.54]	3.365 [85.47]	3.21 [81.5]	ABC	60
64	3764	3.96 [100.7]	3.805 [96.62]	3.565 [90.55]	3.41 [86.6]	ABC	64

3M PART NUMBER SUFFIX	CONTACT TAIL	DIM. "E"	PIN CROSS SECTION			DIM. "G"
-1XX2	.062 [1.57] THICK PC BOARD	.112 [2.84]	DIM. "F"			.035+/- .003 [.89] SEE NOTE 5
-2XX2			.0245+/- .0005 [.622]	.028+/- .001 [.71]	CORNER RADIUS .0075 REF. [.191]	
-1X03	.094 [2.39] TO .125 [3.18] THICK PC BOARD	.155 [3.94]	DIM. "F"			.035+/- .003 [.89]
-2X03			.0245+/- .0005 [.622]	.028+/- .001 [.71]	.0075 REF. [.191]	

DESIGN REFERENCE	NEXT ASSEMBLY	REV	ECO	ISSUE DATE AND DESCRIPTION	DRFT	CHKD
		CASTIGLIONE	AUG 05, 2014	MFG		
				DATE	DATE	DATE
				APPV	DATE	DATE
				R. SCHERER	SEP 05, 2014	

3M PART NUMBER SUFFIX	CONTACT TAIL	DIM. "E"	PIN CROSS SECTION			DIM. "G"
-1XX2	.062 [1.57] THICK PC BOARD	.112 [2.84]	DIM. "F"			.035+/- .003 [.89] SEE NOTE 5
-2XX2			.0245+/- .0005 [.622]	.028+/- .001 [.71]	CORNER RADIUS .0075 REF. [.191]	
-1X03	.094 [2.39] TO .125 [3.18] THICK PC BOARD	.155 [3.94]	DIM. "F"			.035+/- .003 [.89]
-2X03			.0245+/- .0005 [.622]	.028+/- .001 [.71]	.0075 REF. [.191]	

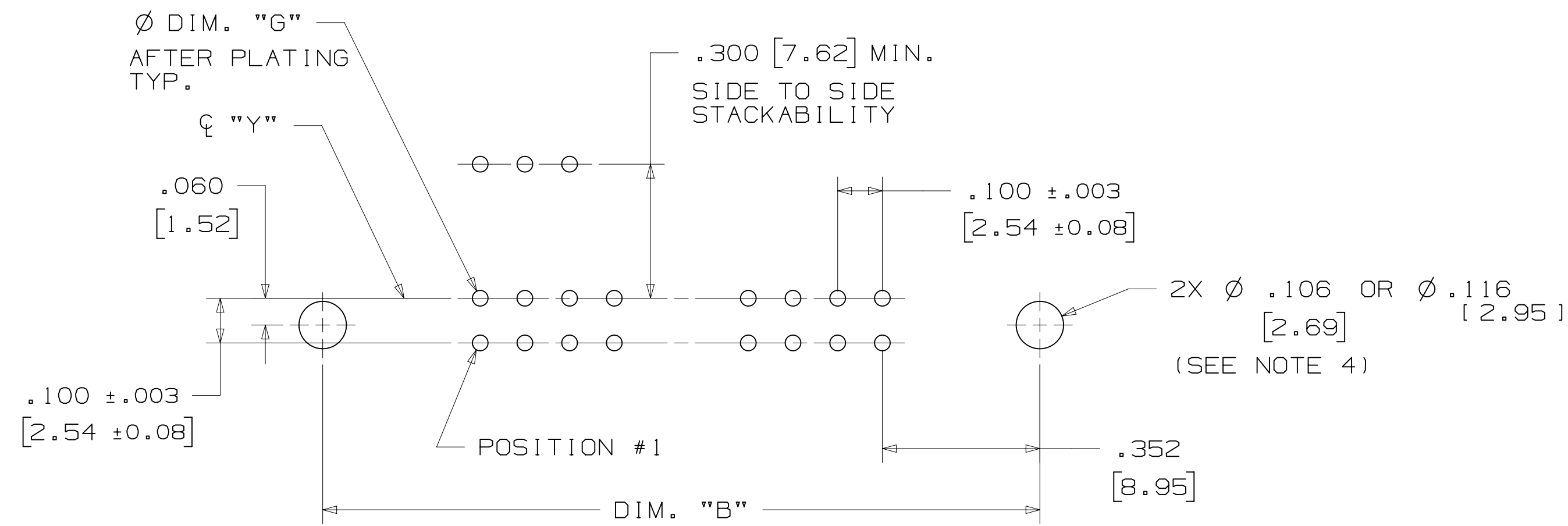
DO NOT SCALE DRAWING	SCALE 4/1	TOLERANCES EXCEPT AS NOTED
THIRD ANGLE PROJECTION	INTERPRET PER ASME Y14.5 - 2009	MILLIMETERS
MAX SURFACE ROUGHNESS	UNFINISHED SURFACES	0 ± .3
MARKED ONLY		.00 ± .13

TITLE	HEADER, 3-WALL, .100 X .100 LATCH/EJECTOR, STRAIGHT & RA
CAGE NUMBER	D78-5100-0771-5
SIZE	H
DRAWING NO.	78-5100-0771-5
REV.	H
MODEL	3000 SERIES
DET	IS1s
YES	NO
SHT	2 OF 4

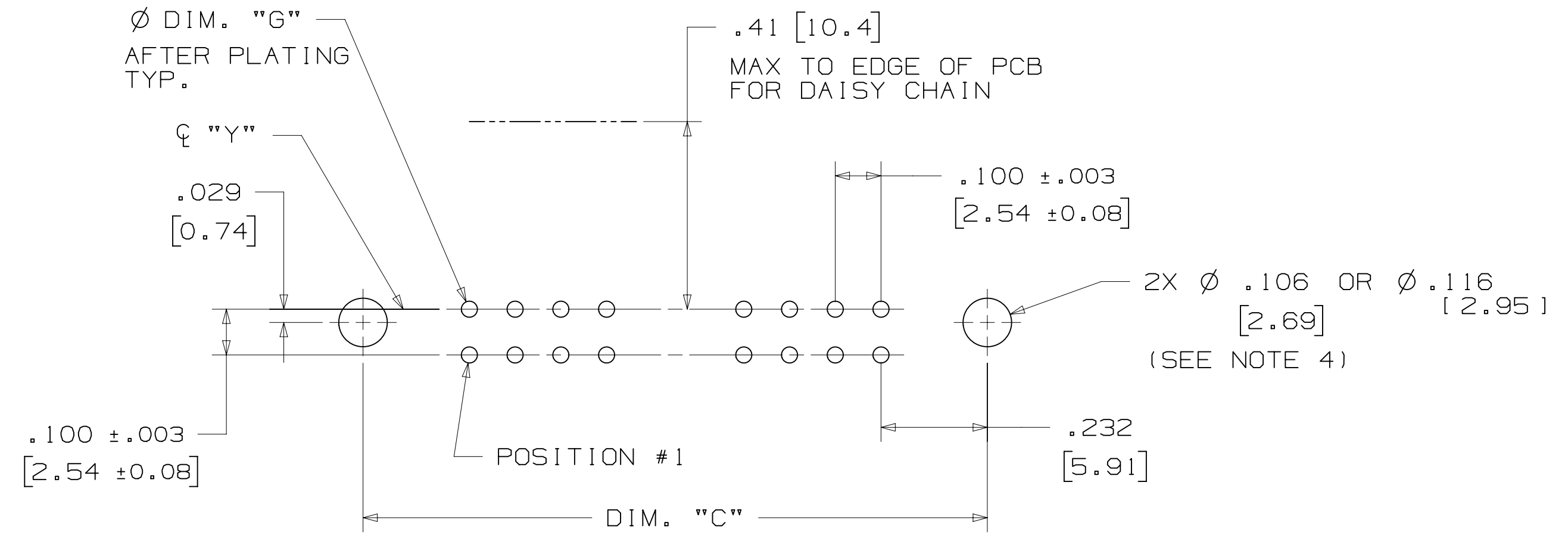
H REVISION
 G 56068 AUG 05, 2014 REVISED AND REDRAWN JNC RS
 78-5100-0771-5 DRAWING NUMBER
 3/6/2015 12:53 PM UTC-06:00
 Imaged: H.1

3M™ THREE-WALL HEADER, 3000 SERIES

.100" X .100" LATCH/EJECTOR, STRAIGHT AND RIGHT ANGLE



RECOMMENDED MOUNTING HOLE PATTERN
(STRAIGHT VERSION)



RECOMMENDED MOUNTING HOLE PATTERN
(RIGHT ANGLE VERSION)

PART CUSTOMIZATION

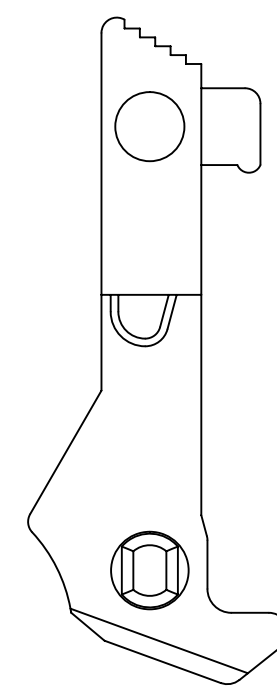
THIS SPEC SHEET DETAILS OUR STANDARD OFFERING.

3M HAS SEVERAL CAPABILITIES THAT CAN PROVIDE A PART TAILORED TO YOUR SPECIFIC NEEDS. ASK YOUR 3M SALES REPRESENTATIVE OR CUSTOMER SERVICE FOR MORE DETAILS.

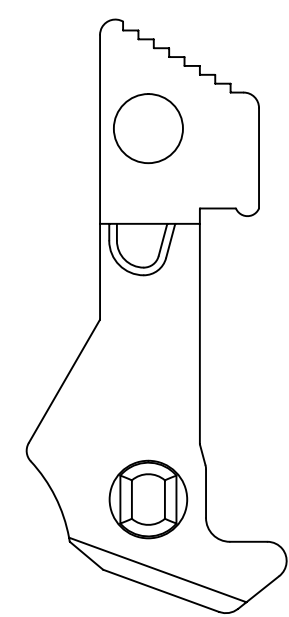
BOTH SNAP-IN AND ROLL PIN LATCHES MAY BE ORDERED SEPARATELY. SNAP-IN AND ROLL PIN STYLE LATCHES ARE DIMENSIONALLY AND FUNCTIONALLY EQUIVALENT. IF ORDERING SNAP-IN OR ROLL PIN STYLE LATCHES SEPARATELY, PLEASE USE THE BELOW CHART.

MATERIAL	SHORT LATCH	LONG LATCH	LATCH STYLE	COLOR
HIGH TEMP. (PCT)	N3505-2B	N3505-3B	ROLL PIN	BLACK
HIGH TEMP. (PPA)	N3505-30B	N3505-31B	SNAP-IN	BLACK

- * SELECTIVE PIN REMOVAL (ATA OR OTHER COMPATIBILITY)
- * WIRE WRAP TAILS STYLE



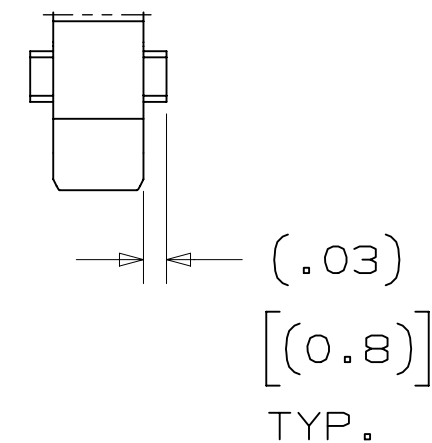
LONG



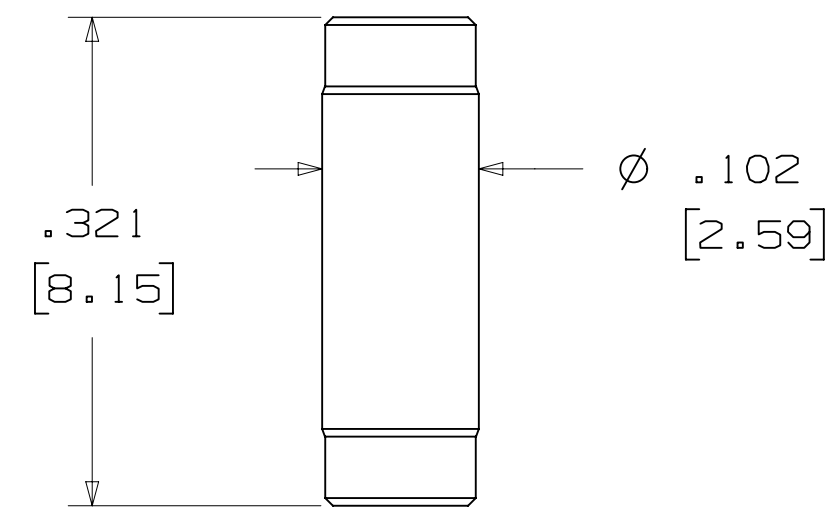
SHORT

SNAP-IN LATCHES

NOTE: SNAP-IN LATCHES CAN ONLY BE ORDERED SEPARATELY AND ARE THE CUSTOMERS RESPONSIBILITY TO INSTALL.



POLARIZING POST



3M PART NO.	MATERIAL	COLOR
3201-4	LCP	BLACK

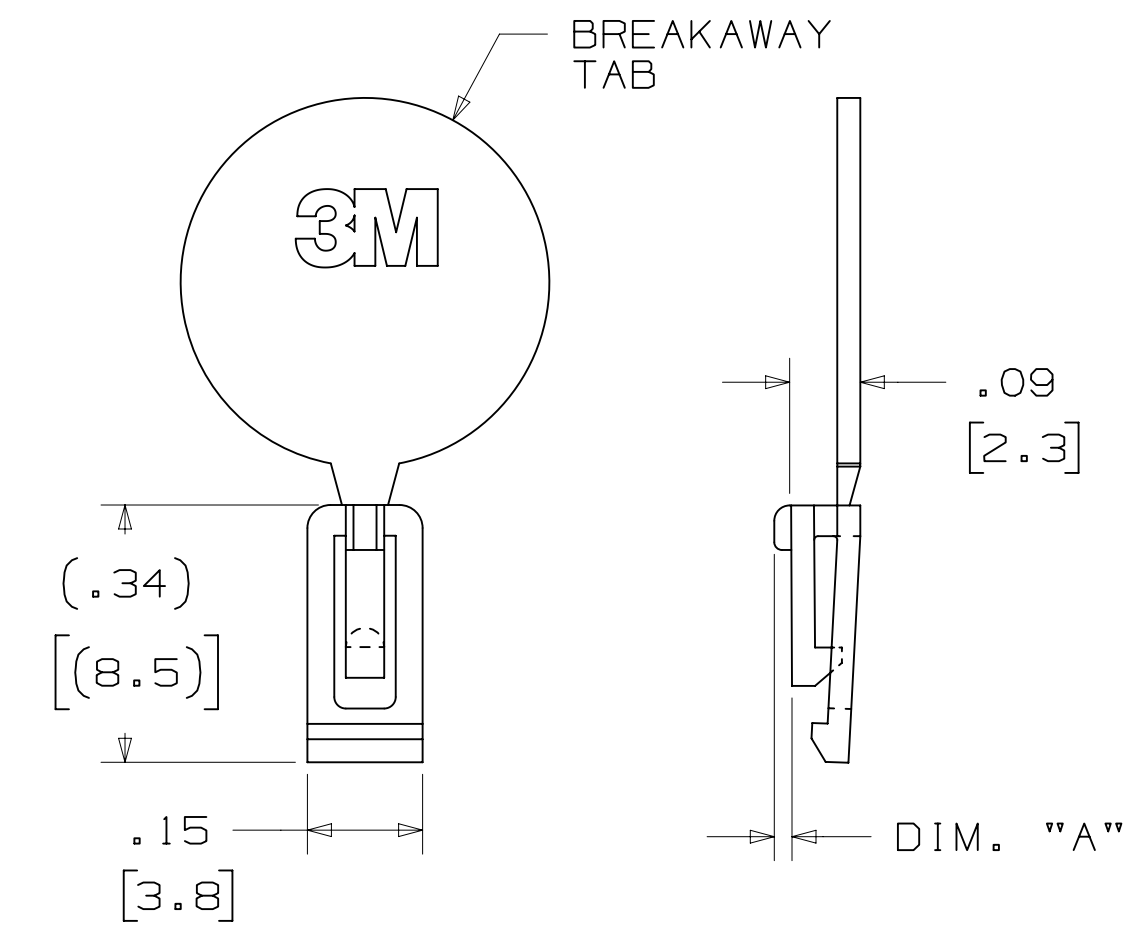
NOTE:
INSERT POST INTO ONE MOUNTING HARDWARE HOLE ON BOTTOM OF HEADER.
SET POST TO PROTRUDE .115 [2.92]

(K2) OPTION

2500 & 3000 SERIES SHROUDED HEADER						
TOTAL NO. OF PINS	NO. OF TAILS KINKED	POSITIONS KINKED				
10	4	3	4	7	8	
14	4	3	4	11	12	
16	4	3	4	13	14	
20	4	3	4	17	18	
26	4	3	4	23	24	
34	4	7	8	27	28	
40	4	7	8	33	34	
50	4	7	8	43	44	
60	4	11	12	49	50	
64	4	11	12	53	54	

KINKED TAIL DETAIL:
- KINK IS LOCATED .05" BELOW BOTTOM SURFACE OF PLASTIC.
- EXTERNAL RADIUS OF KINK TOWARD PART CENTERLINE.

POLARIZING KEY



3M PART NO.	MATERIAL	COLOR	DIM. 'A'
N3518	LCP	BLACK	.02

NOTE:
#2216 B/A SCOTCHWELD CAN BE USED TO ADHERE KEYS.

REV	ECO	ISSUE DATE AND DESCRIPTION	DRFT	CHKD
H	60056	MAR 06, 2015 REVISE ORDERING NUMBER	JNC	RS
G	56068	AUG 05, 2014 REVISED AND REDRAWN	JNC	RS

DESIGN REFERENCE NEXT ASSEMBLY

DO NOT SCALE DRAWING	SCALE 4-1	TOLERANCES EXCEPT AS NOTED
INTERPRET PER ASME Y14.5 - 2009	INCHES .00 ± .01 .000 ± .005 .0000 ±	MILLIMETERS 0 ± .0 ± .3 .00 ± .13 .000 ±

3M	3M Center St. Paul, MN 55144	© 3M COPYRIGHT 2015 This document and the information it contains are 3M property and may not be reproduced or further distributed without 3M permission, or used or disclosed other than for 3M authorized purposes. All rights reserved.
TITLE	HEADER, 3-WALL, .100 X .100 LATCH/EJECTOR, STRAIGHT & RA	
CAGE NUMBER	SIZE	DRAWING NO.
D78-5100		78-5100-0771-5
MODEL	3000 SERIES	REV. H

78-5100-0771-5

Imaged: H.1 3/6/2015 12:53 PM UTC-06:00

3M™ THREE-WALL HEADER, 3000 SERIES
 .100" X .100" LATCH/EJECTOR, STRAIGHT AND RIGHT ANGLE

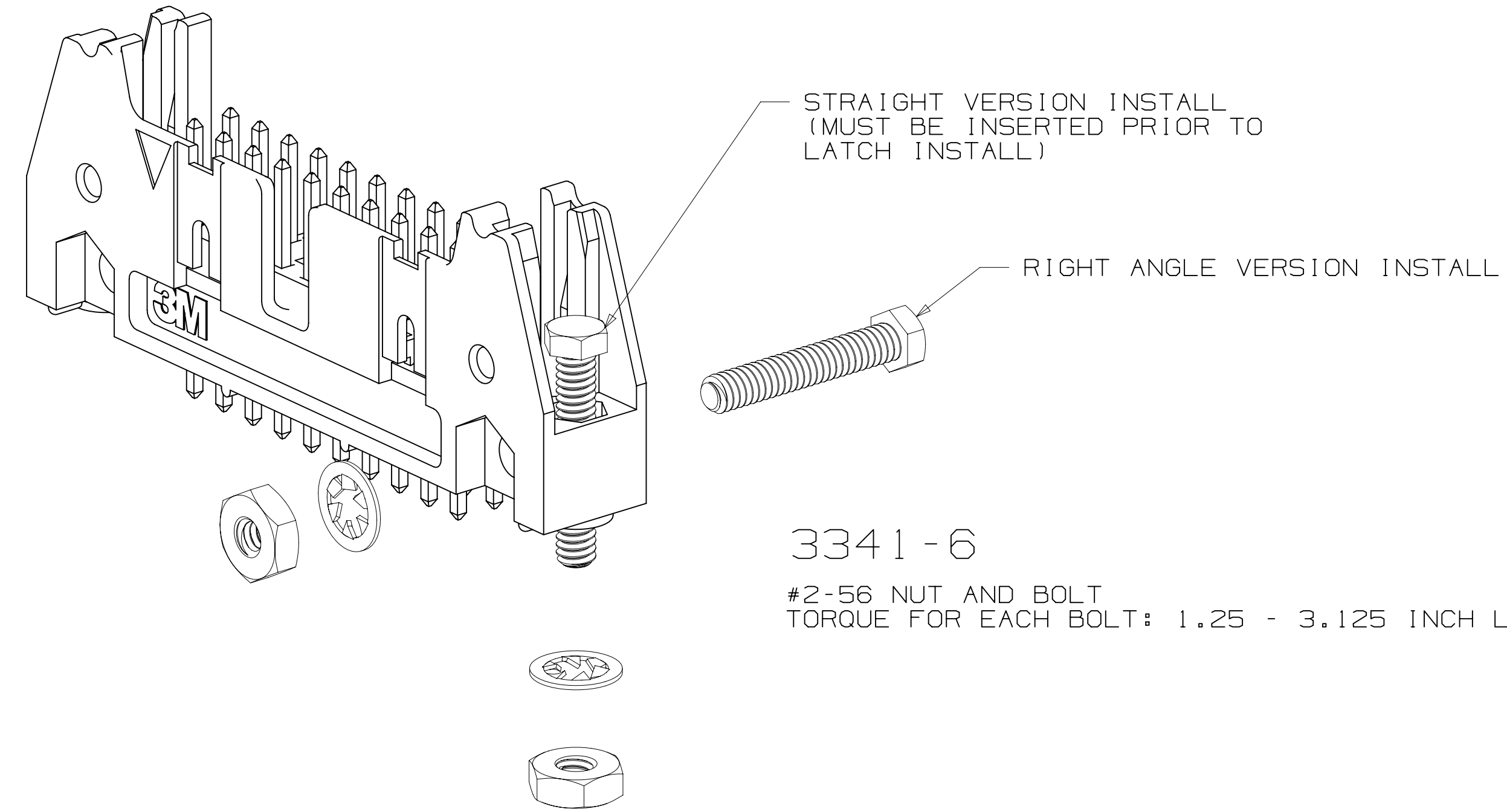
MOUNTING HARDWARE



3341-5
 (INSTALL FROM BOTTOM OF BOARD)
 PANHEAD THREAD CUTTING SCREW:
 #4-24 X 5/16"
 TYPE: USA STD BT, FEDERAL B6
 MATERIAL: STAINLESS STEEL



3341-6
 HEX HEAD BOLT, NUT AND WASHER:
 BOLT - #2-56 X 1/2"
 MATERIAL: STAINLESS STEEL



3341-6
 #2-56 NUT AND BOLT
 TORQUE FOR EACH BOLT: 1.25 - 3.125 INCH LBS.



3341-5

DESIGN REFERENCE	NEXT ASSEMBLY	REV	ECO	ISSUE DATE AND DESCRIPTION	DRFT	CHKD
DATE	DATE	DATE	DATE	DATE	DATE	DATE
CASTIGLIONE	AUG 05, 2014	MFG				
		R. SCHERER				SEP 05, 2014
DIVISION	DIVISION CODE	© 3M COPYRIGHT 2015				
Interconnect Solutions	EMSD	This document and the information it contains are 3M property and may not be reproduced or further distributed without 3M permission, or used or disclosed other than for 3M authorized purposes. All rights reserved.				
DO NOT SCALE DRAWING	SCALE 4/1	TOLERANCES EXCEPT AS NOTED				
		INCHES	TITLE			
		.00 ± .01	HEADER, 3-WALL, .100 X .100 LATCH/EJECTOR, STRAIGHT & RA			
		.000 ± .005	CAGE NUMBER			
		.0000 ±	D 78-5100-0771-5 H			
THIRD ANGLE PROJECTION	INTERPRET PER ASME Y14.5 - 2009	MILLIMETERS	MODEL			
		0 ±	3000 SERIES			
		.0 ± .3	IS1S <input type="checkbox"/> YES <input checked="" type="checkbox"/> NO SHT 4 OF 4			
		.00 ± .13				
		.000 ±				
		ANGLES				

78-5100-0771-5
 DRAWING NUMBER
 H
 REVISION
 3/6/2015 12:53 PM UTC-06:00
 A