







# 3M™ FOUR-WALL HEADER, 2500 SERIES

.100" X .100" LOW PROFILE, SURFACE MOUNT, STRAIGHT AND RIGHT ANGLE THROUGH-HOLE



SECTION C - C

| TABLE 1  |               |               |                    |                        |          |
|----------|---------------|---------------|--------------------|------------------------|----------|
| PIN QTY. | DIM. "A"      | DIM. "B"      | POLARIZING NOTCHES | TAPE AND REEL PKG CODE | PIN QTY. |
| 06       | .588 [14.94]  | .508 [12.90]  | B                  | WD (44 MM)             | 06       |
| 08       | .688 [17.48]  | .608 [15.44]  | B                  | WD (44 MM)             | 08       |
| 10       | .788 [20.02]  | .708 [17.98]  | BC                 | WD (44 MM)             | 10       |
| 14       | .988 [25.10]  | .908 [23.06]  | BCDE               | WD (44 MM)             | 14       |
| 16       | 1.088 [27.64] | 1.008 [25.60] | ABCDE              | WD (44 MM)             | 16       |
| 20       | 1.288 [32.72] | 1.208 [30.68] | ABCDE              | WE (56 MM)             | 20       |
| 24       | 1.488 [37.80] | 1.408 [35.76] | ABCDE              | WE (56 MM)             | 24       |
| 26       | 1.588 [40.34] | 1.508 [38.30] | ABCDE              | WE (56 MM)             | 26       |
| 30       | 1.788 [45.42] | 1.708 [43.38] | ABCDE              | WF (72 MM)             | 30       |
| 34       | 1.988 [50.50] | 1.908 [48.46] | ABCDE              | WF (72 MM)             | 34       |
| 36       | 2.088 [53.04] | 2.008 [51.00] | ABCDE              | WG (88 MM)             | 36       |
| 40       | 2.288 [58.12] | 2.208 [56.08] | ABCDE              | WG (88 MM)             | 40       |
| 50       | 2.788 [70.82] | 2.708 [68.78] | ABCDE              | WG (88 MM)             | 50       |
| 60       | 3.288 [83.52] | 3.208 [81.48] | ABCDE              | WH (120 MM)            | 60       |
| 64       | 3.488 [88.60] | 3.408 [86.56] | ABCDE              | WH (120 MM)            | 64       |

## ORDERING INFORMATION SURFACE MOUNT VERSION

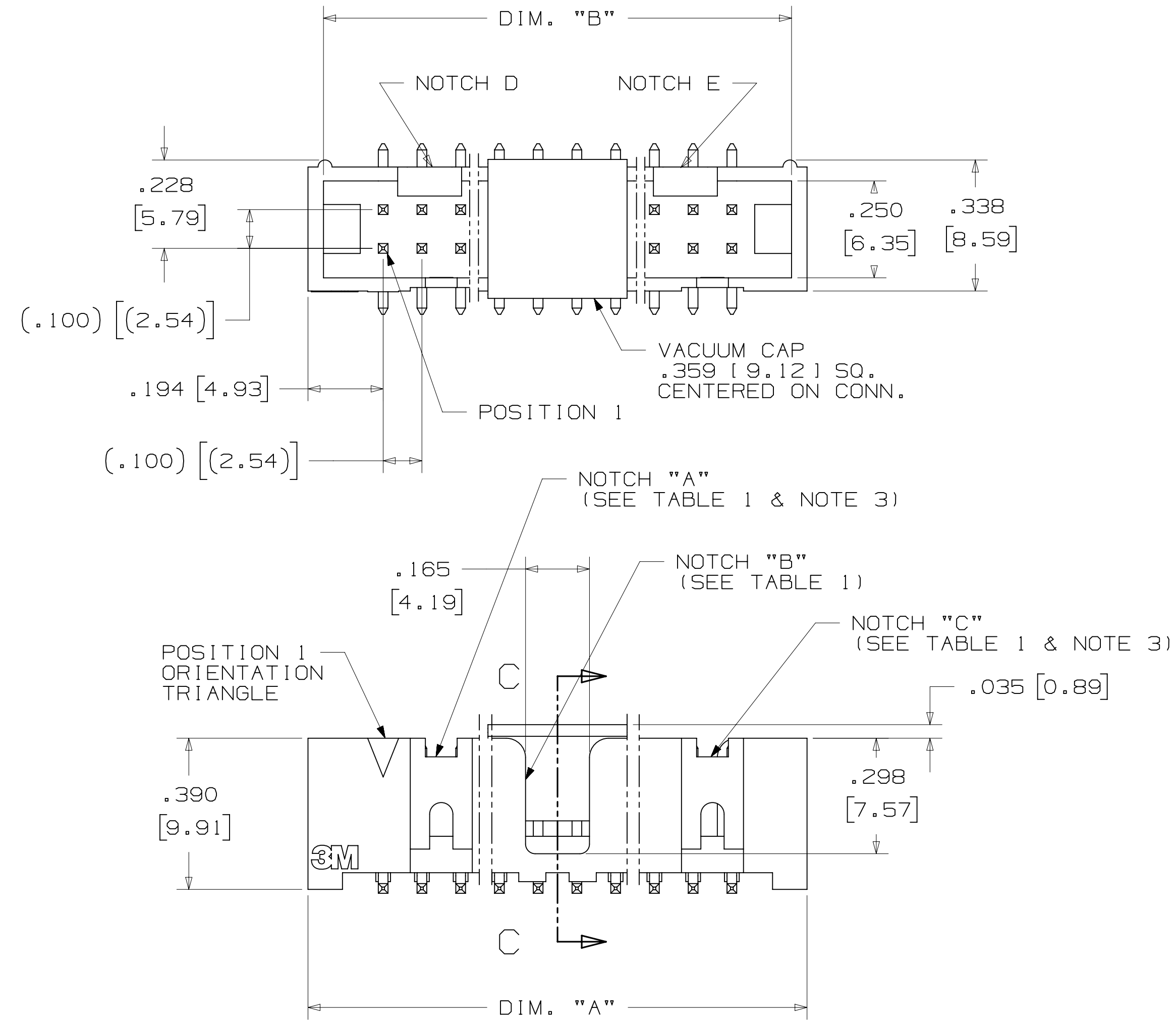
N25XX-6VOC-XX-XX

N = HIGH TEMP BLACK (PCT) (RB PLATING REQ'D)

PIN QUANTITY: (SEE TABLE 1)

PACKAGING OPTIONS:  
WX = TAPE & REEL PACKAGING (SEE TABLE 1)

PLATING:  
RB = 30µ" [0.76µm] AVG. GOLD  
200µ" [5.08µm] MATTE TIN (RIA, E1 & C1 APPLY)



## RECOMMENDED PAD LAYOUT

|                                  |               |                                       |     |                                            |      |      |
|----------------------------------|---------------|---------------------------------------|-----|--------------------------------------------|------|------|
| DESIGN REFERENCE                 | NEXT ASSEMBLY | REV                                   | ECO | ISSUE DATE AND DESCRIPTION                 | DRFT | CHKD |
|                                  |               |                                       |     | AUG 11, 2014                               |      |      |
| DIVISION: Interconnect Solutions |               | DIVISION CODE: EMSD                   |     | DATE: AUG 11, 2014                         |      |      |
| DO NOT SCALE DRAWING             |               | SCALE: 4/1                            |     | TOLERANCES EXCEPT AS NOTED                 |      |      |
| THIRD ANGLE PROJECTION           |               | INCHES: .00 ±.01, .000 ±.005, .0000 ± |     | MILLIMETERS: 0 ±, .0 ±.3, .00 ±.13, .000 ± |      |      |
| MAX SURFACE ROUGHNESS: SURFACES  |               | MARKED ONLY                           |     | CAGE NUMBER: D78-5100-0770-7               |      |      |
|                                  |               |                                       |     | MODEL: 2500 SERIES                         |      |      |
|                                  |               |                                       |     | REV. N                                     |      |      |

© 3M COPYR[IGHT] 2016  
This document and the information it contains are 3M property and may not be reproduced or further distributed without 3M permission, or used or disclosed other than for 3M authorized purposes. All rights reserved.

3M Center St. Paul, MN 55144

REVISIONS:

|   |       |              |     |    |
|---|-------|--------------|-----|----|
| N | 68908 | AUG 02, 2016 | JNC | SC |
| M | 56068 | AUG 11, 2014 | JNC | RS |

REVISIONS: REVISE DIM ON SHT2 & CLIP CHART ON SHT5  
REVISED AND REDRAWN  
ISSUE DATE AND DESCRIPTION

DATE: AUG 11, 2014  
DATE: SEP 05, 2014

APPR: R. SCHERER  
DATE: SEP 05, 2014

MODEL: 2500 SERIES  
SHT 4 OF 5

DRAWING NUMBER: 78-5100-0770-7  
REVISION: N  
DATE: 11:10 AM UTC-05:00

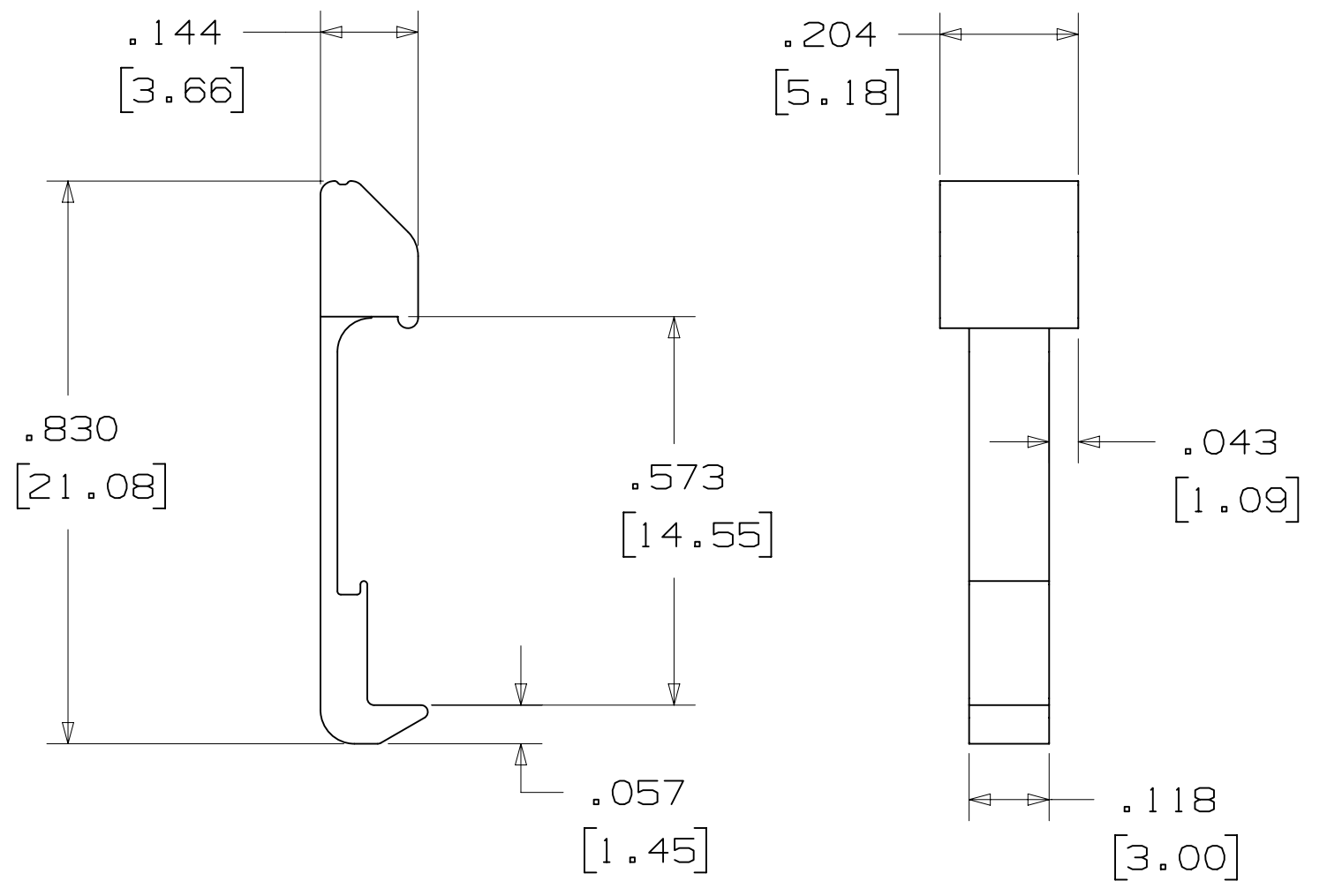
3M™ FOUR-WALL HEADER, 2500 SERIES  
 .100" X .100" LOW PROFILE, SURFACE MOUNT, STRAIGHT AND RIGHT ANGLE THROUGH-HOLE

PART CUSTOMIZATION

THIS SPEC SHEET DETAILS OUR STANDARD OFFERING.  
 3M HAS SEVERAL CAPABILITIES THAT CAN PROVIDE A PART TAILORED TO YOUR SPECIFIC NEEDS. ASK YOUR 3M SALES REPRESENTATIVE OR CUSTOMER SERVICE FOR MORE DETAILS.

- \* SELECTIVE PIN REMOVAL (FOR BOARD ASSEMBLY POLARIZATION).
- \* DIFFERENT PIN LENGTHS.

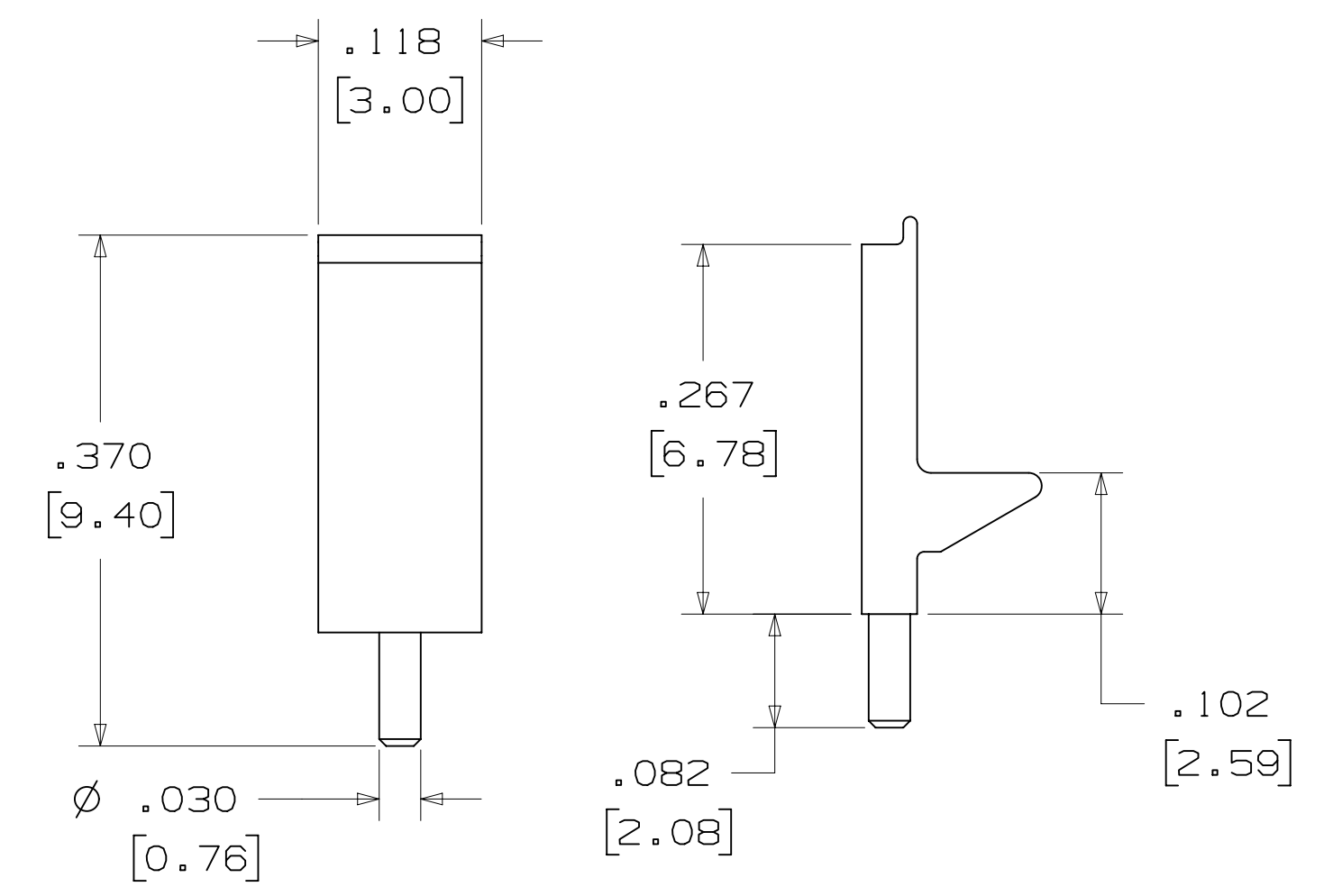
LOW PROFILE LATCH



| PART NO. | MATERIAL | COLOR |
|----------|----------|-------|
| 3505-33B | NYLON    | BLACK |

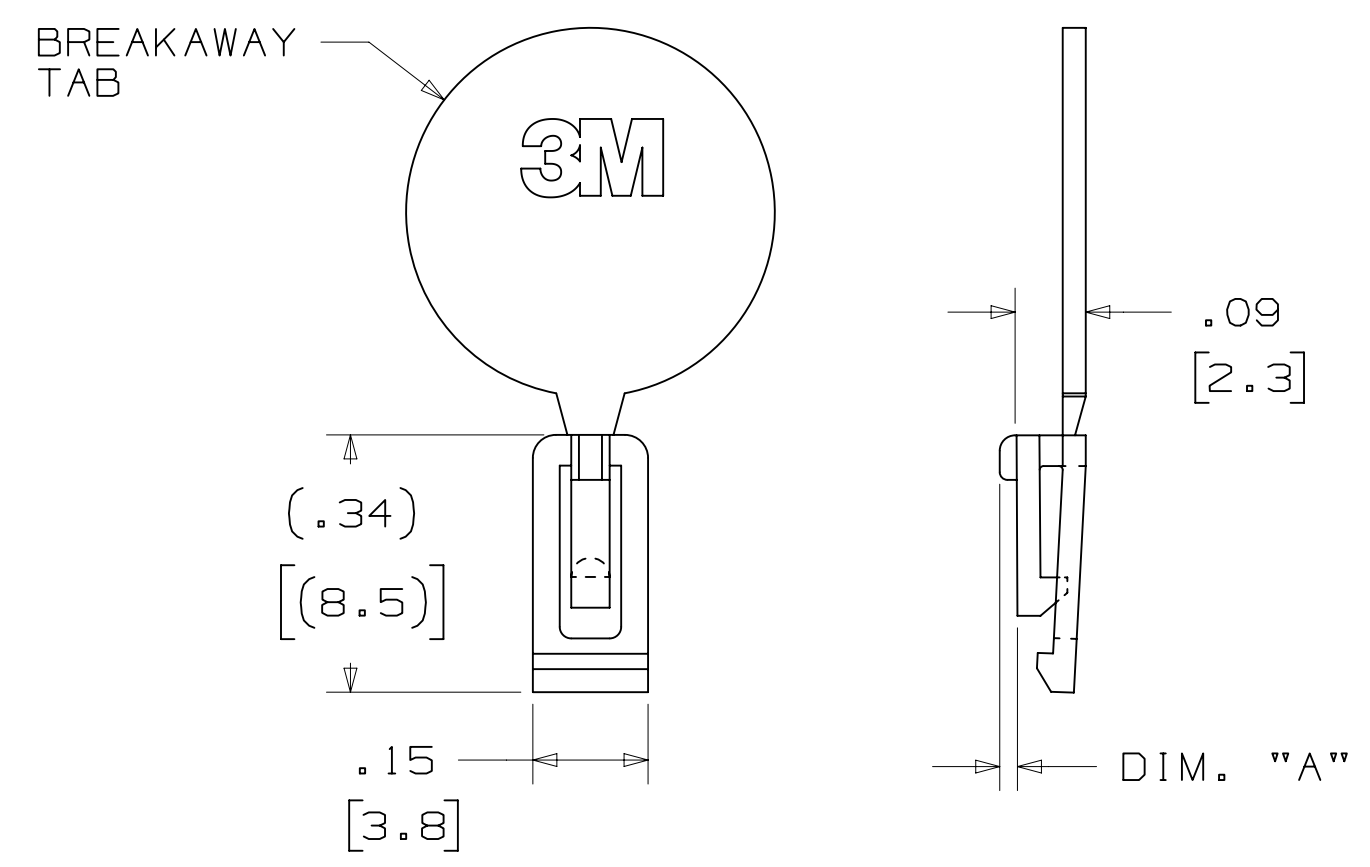
NOTE:  
 LATCHES NOT COMPATIBLE WITH REFLOW SOLDERING.  
 ATTACH LATCHES AFTER SOLDERING.

POLARIZING POST



| PART NO. | MATERIAL | COLOR |
|----------|----------|-------|
| 3201-3   | PCT      | BLACK |

POLARIZING KEY



| 3M PART NO. | MATERIAL | COLOR | DIM. "A" |
|-------------|----------|-------|----------|
| N3518       | LCP      | BLACK | .02      |

NOTE:  
 #2216 B/A SCOTCHWELD CAN BE USED TO ADHERE KEYS.

SHORT/LONG SOCKET RETAINER CLIP



| PIN QTY. | DIM. "A"    |
|----------|-------------|
| 06       | N/A         |
| 08       | N/A         |
| 10       | .81 [20.6]  |
| 14       | 1.02 [25.9] |
| 16       | 1.12 [28.4] |
| 20       | 1.32 [33.5] |
| 24       | 1.52 [38.7] |
| 26       | 1.63 [41.4] |
| 30       | 1.83 [46.4] |
| 34       | 2.03 [51.6] |
| 36       | N/A         |
| 40       | 2.33 [59.2] |
| 50       | 2.83 [71.9] |
| 60       | 3.33 [84.6] |
| 64       | 3.53 [89.7] |

NOTE:  
 STAINLESS STEEL WITH GRAY POLYURETHANE COATING.

3505-8XXX

CLIP HEIGHT CODE \_\_\_\_\_ PIN COUNT (SEE TABLE)  
 0 = .31 [7.9] FOR SOCKETS WITHOUT STRAIN RELIEF  
 1 = .53 [13.5] FOR SOCKETS WITH STRAIN RELIEF

NOTE:  
 1) THE FOLLOWING RETAINER CLIPS HAVE BEEN DISCONTINUED:  
 3505-8064  
 3505-8124  
 3505-8150

|                                 |               |                                                         |     |                            |      |      |
|---------------------------------|---------------|---------------------------------------------------------|-----|----------------------------|------|------|
| DESIGN REFERENCE                | NEXT ASSEMBLY | REV                                                     | ECO | ISSUE DATE AND DESCRIPTION | DRFT | CHKD |
| 3505-8XXX                       |               |                                                         |     | AUG 11, 2014               |      |      |
| DIVISION CODE                   |               | DIVISION CODE                                           |     | DATE                       |      |      |
| Interconnect Solutions          |               | EMSD                                                    |     | AUG 11, 2014               |      |      |
| DO NOT SCALE DRAWING            | SCALE 4/1     | TOLERANCES EXCEPT AS NOTED                              |     | DATE                       |      |      |
| THIRD ANGLE PROJECTION          |               | INCHES                                                  |     | DATE                       |      |      |
| INTERPRET PER ASME Y14.5 - 2009 |               | MILLIMETERS                                             |     | DATE                       |      |      |
| MAX SURFACE ROUGHNESS           |               | INCHES                                                  |     | DATE                       |      |      |
| SURFACES                        |               | MILLIMETERS                                             |     | DATE                       |      |      |
| MARKED ONLY                     |               | ANGLES                                                  |     | DATE                       |      |      |
| 3M                              |               | 3M Center St. Paul, MN 55144                            |     | DATE                       |      |      |
| TITLE                           |               | HEADER, 4-WALL, LO-PRO, .100 X .100, SMT, STRAIGHT & RA |     | DATE                       |      |      |
| CAGE NUMBER                     |               | DRAWING NO.                                             |     | REV.                       |      |      |
| D78-5100-0770-7                 |               | N                                                       |     | REV.                       |      |      |
| MODEL                           |               | 2500 SERIES                                             |     | REV.                       |      |      |
| SHEET                           |               | SHT 5 OF 5                                              |     | REV.                       |      |      |

78-5100-0770-7  
 N  
 11:10 AM UTC-05:00  
 1