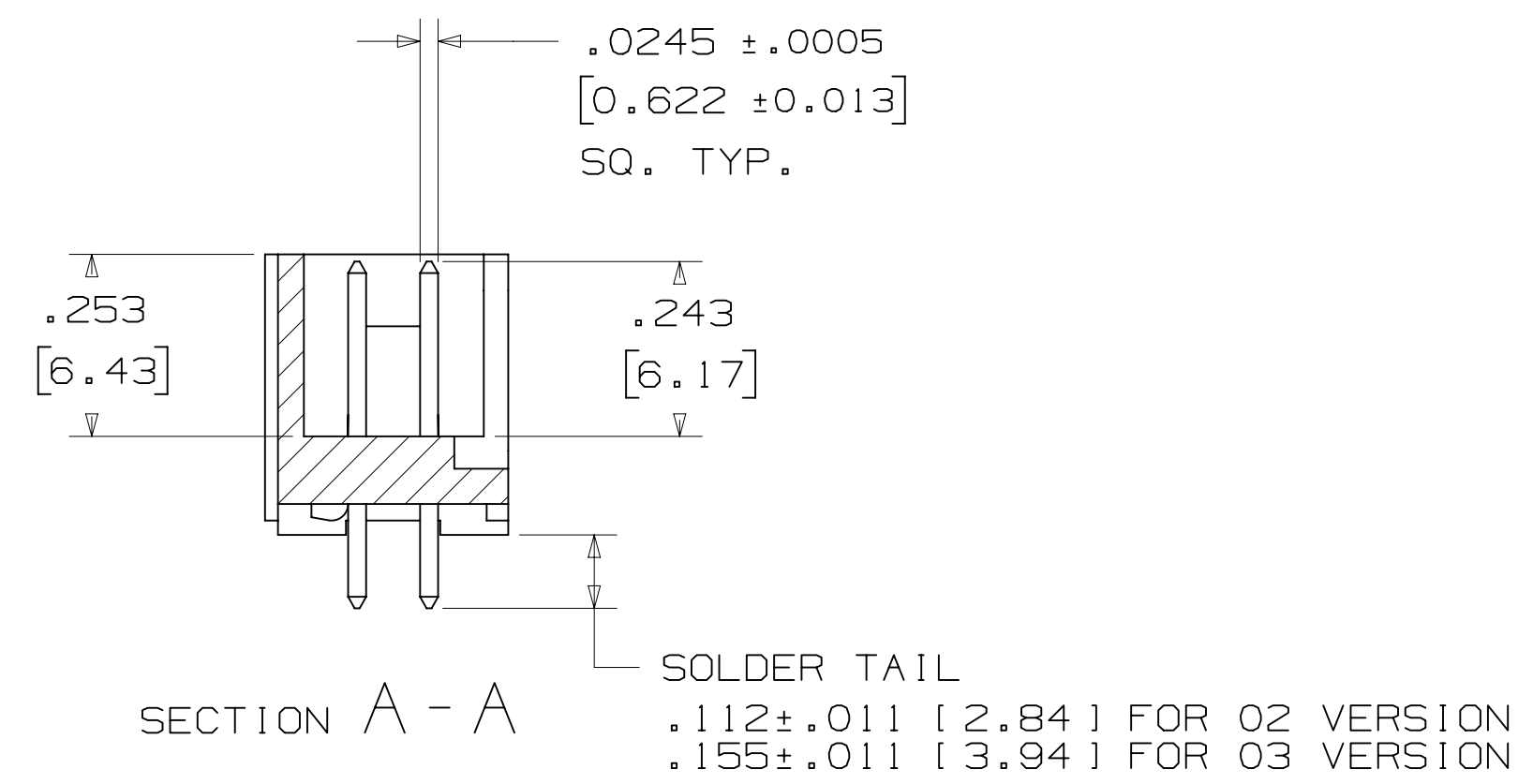
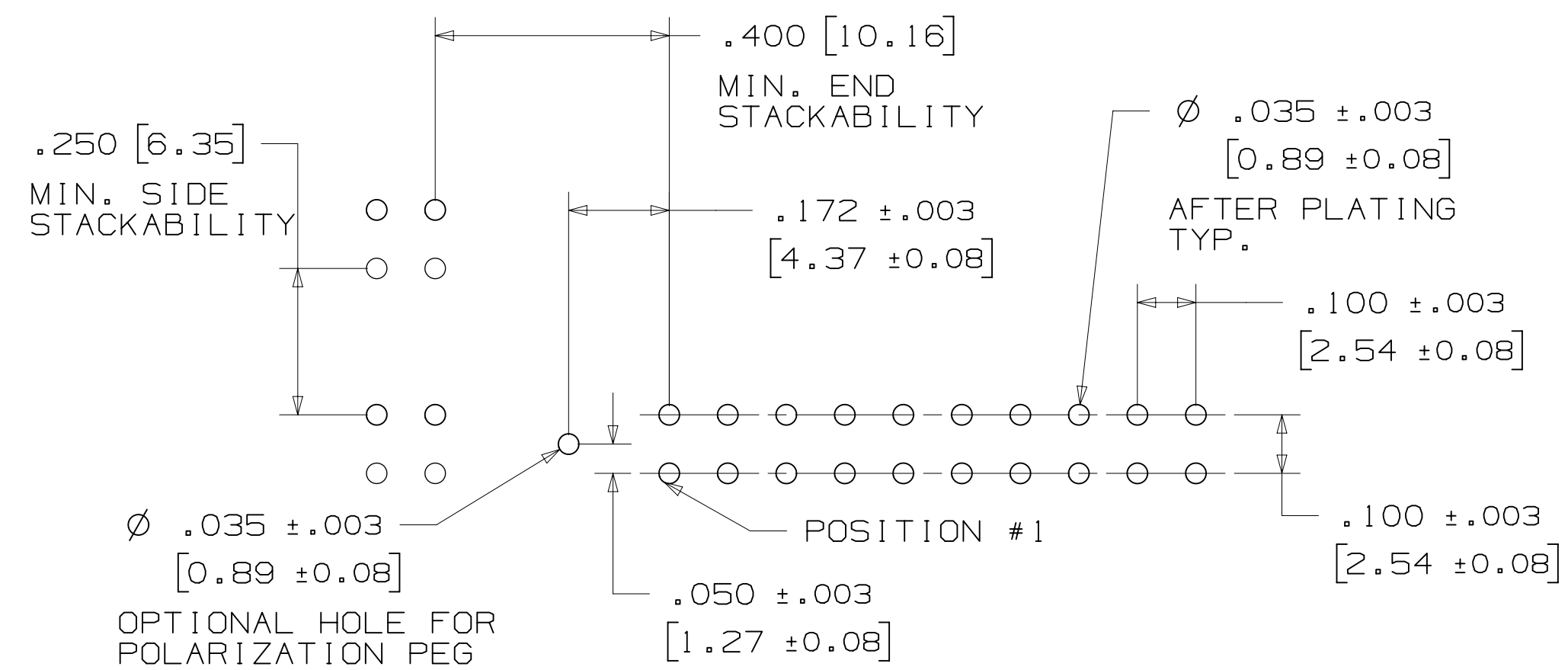
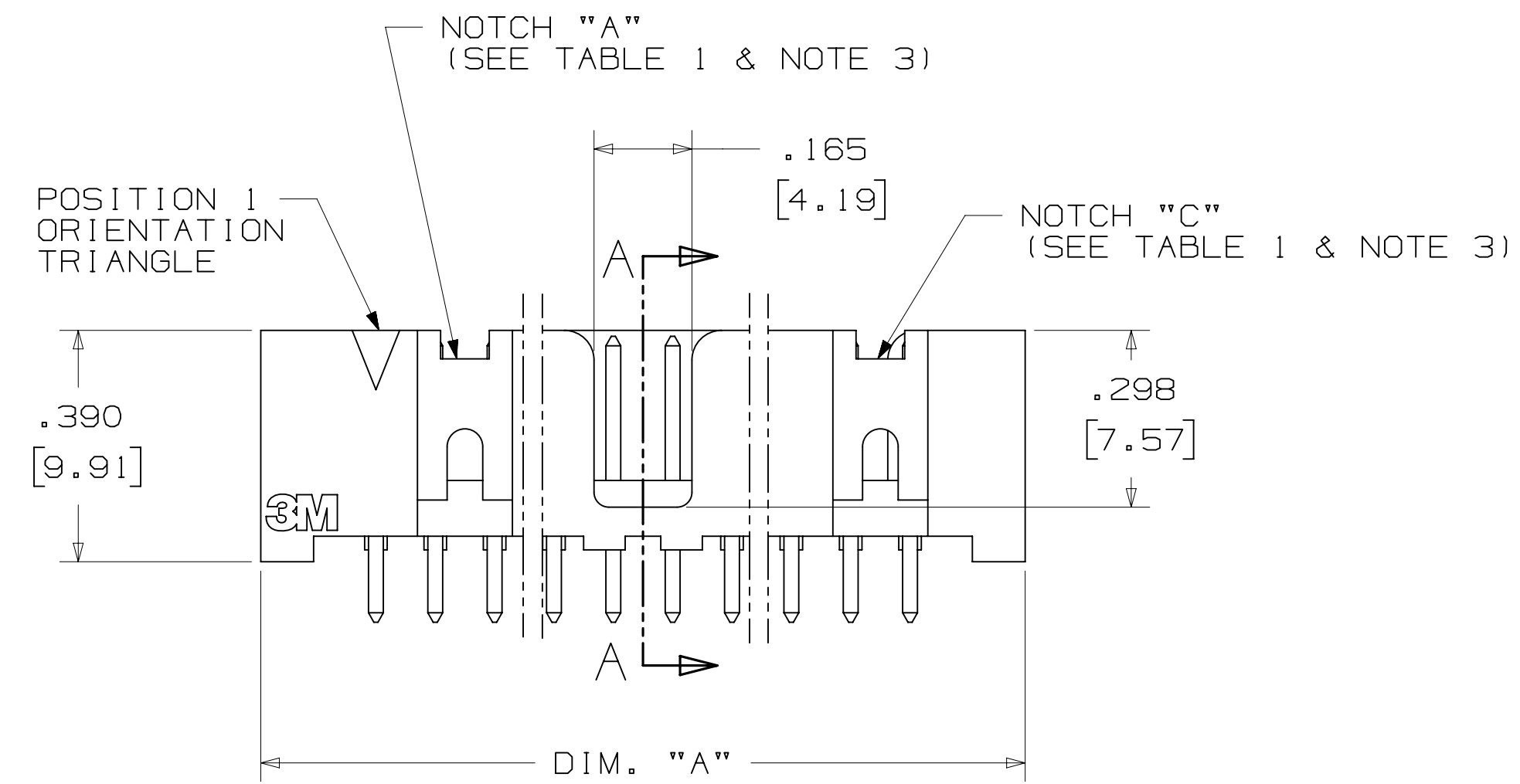
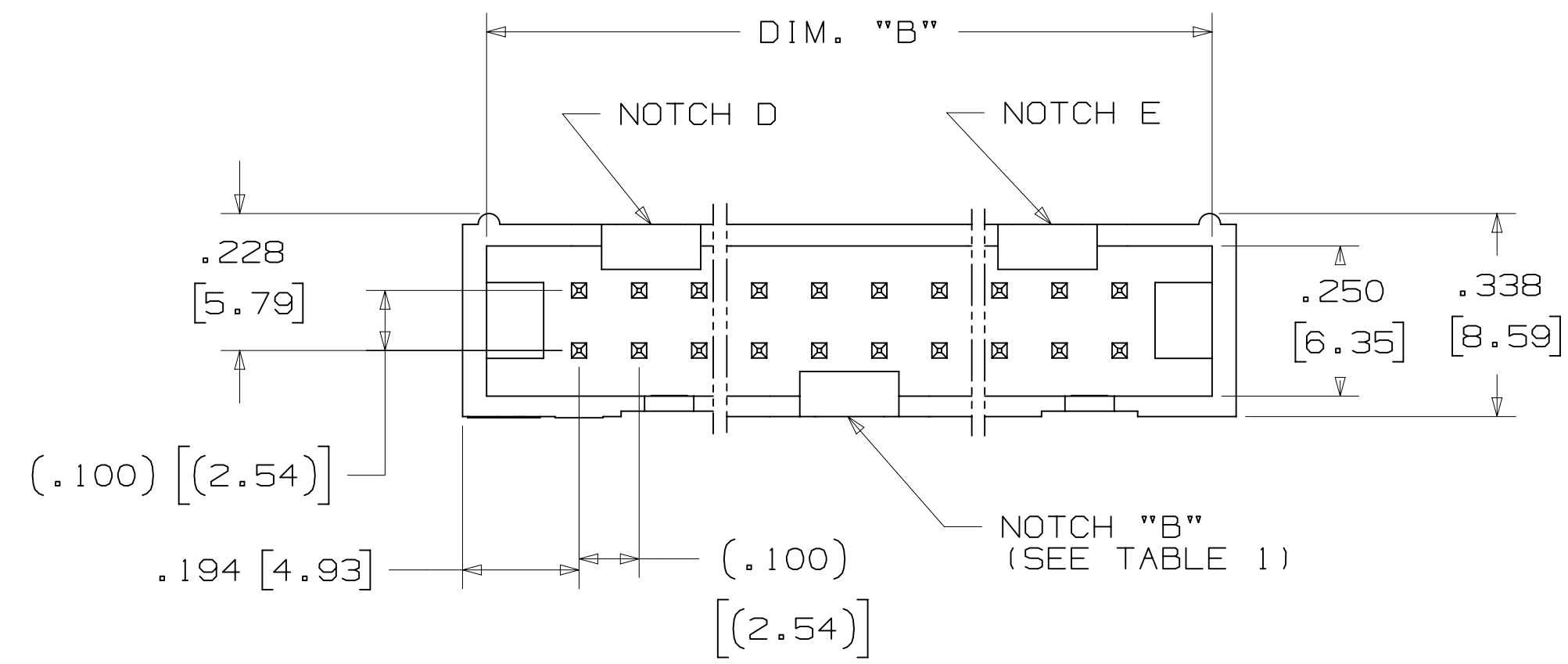


3M™ FOUR-WALL HEADER, 2500 SERIES
 .100" X .100" LOW PROFILE, SURFACE MOUNT, STRAIGHT AND RIGHT ANGLE THROUGH-HOLE



| TABLE 1 | | | | |
|----------|---------------|---------------|--------------------|----------|
| PIN QTY. | DIM. "A" | DIM. "B" | POLARIZING NOTCHES | PIN QTY. |
| 06 | .588 [14.94] | .508 [12.90] | B | 06 |
| 08 | .688 [17.48] | .608 [15.44] | B | 08 |
| 10 | .788 [20.02] | .708 [17.98] | BC | 10 |
| 14 | .988 [25.10] | .908 [23.06] | BCDE | 14 |
| 16 | 1.088 [27.64] | 1.008 [25.60] | ABCDE | 16 |
| 20 | 1.288 [32.72] | 1.208 [30.68] | ABCDE | 20 |
| 24 | 1.488 [37.80] | 1.408 [35.76] | ABCDE | 24 |
| 26 | 1.588 [40.34] | 1.508 [38.30] | ABCDE | 26 |
| 30 | 1.788 [45.42] | 1.708 [43.38] | ABCDE | 30 |
| 34 | 1.988 [50.50] | 1.908 [48.46] | ABCDE | 34 |
| 36 | 2.088 [53.04] | 2.008 [51.00] | ABCDE | 36 |
| 40 | 2.288 [58.12] | 2.208 [56.08] | ABCDE | 40 |
| 50 | 2.788 [70.82] | 2.708 [68.78] | ABCDE | 50 |
| 60 | 3.288 [83.52] | 3.208 [81.48] | ABCDE | 60 |
| 64 | 3.488 [88.60] | 3.408 [86.56] | ABCDE | 64 |



ORDERING INFORMATION
 STRAIGHT VERSION

X25XX-60XX-XX

N = HIGH TEMP BLACK (PCT)
 (RB, UB OR UG PLATING REQ'D)
 BLANK = (UB OR UG PLATING)

PIN QUANTITY:
 (SEE TABLE 1)

SOLDER TAIL:
 02 = FOR .062 [1.57] THICK BOARD
 03 = FOR .094 TO .125 [2.39 TO 3.18]
 THICK BOARD

PLATING:
 RB = 30µ" [0.76µm] AVG. GOLD
 200µ" [5.08µm] MATTE TIN (RIA, E1 & C1 APPLY)
 UG = 15µ" [0.38µm] AVG. GOLD
 200µ" [5.08µm] 60:40 TIN-LEAD SOLDER TAILS
 (RIA E3 & C2 APPLY)
 UB = 30µ" [0.76µm] AVG. GOLD
 200µ" [5.08µm] 60:40 TIN LEAD SOLDER TAILS
 (RIA E3 & C2 APPLY)

RECOMMENDED HOLE PATTERN
 SHOWN FROM COMPONENT SIDE

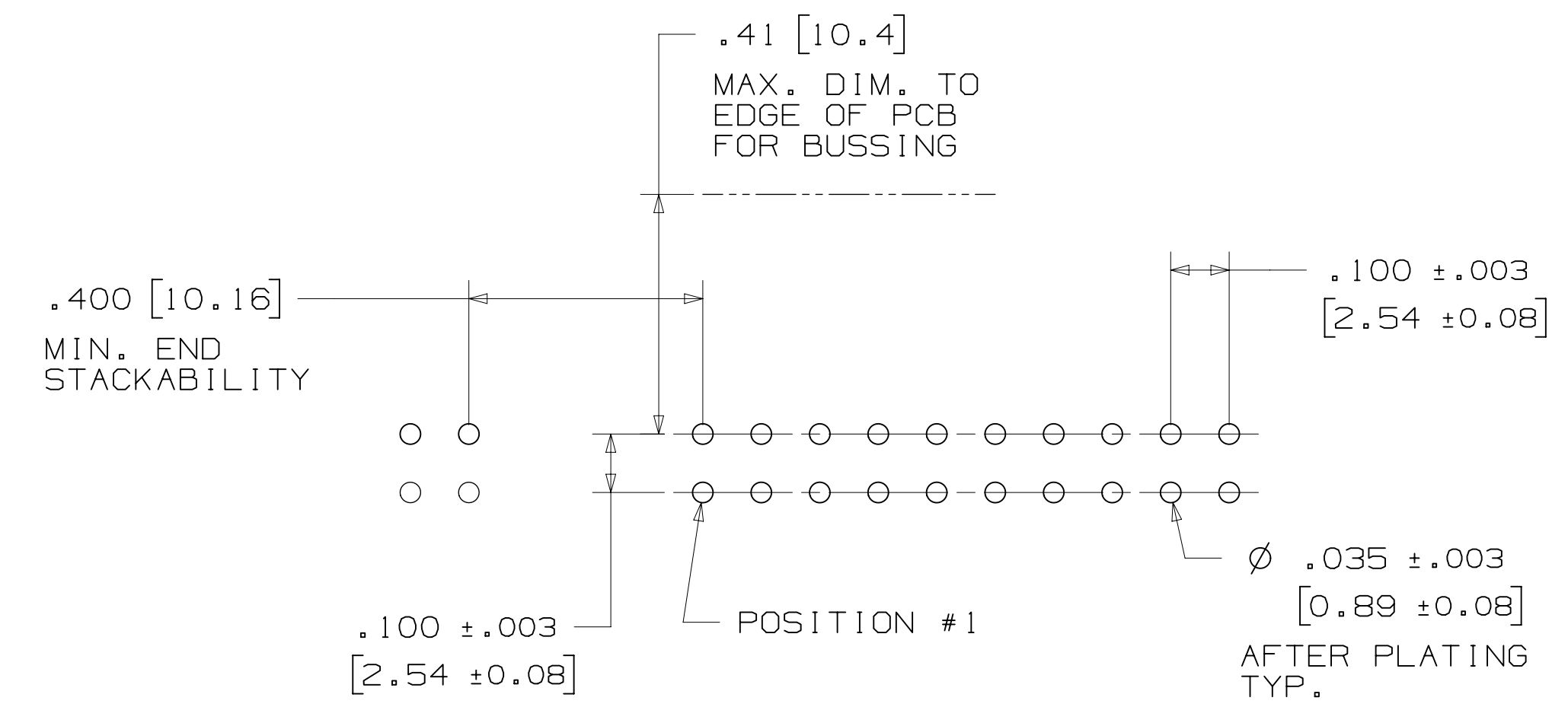
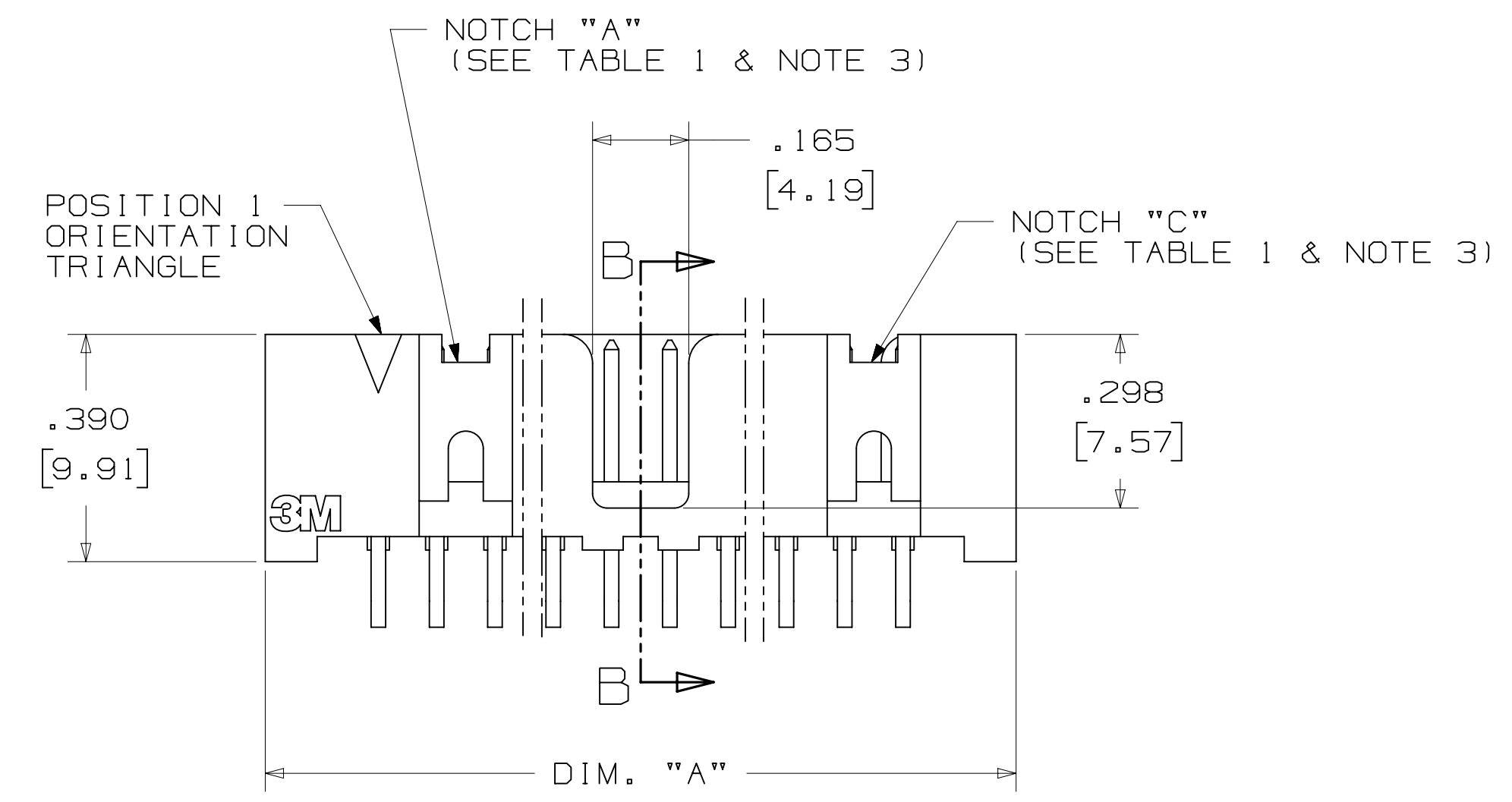
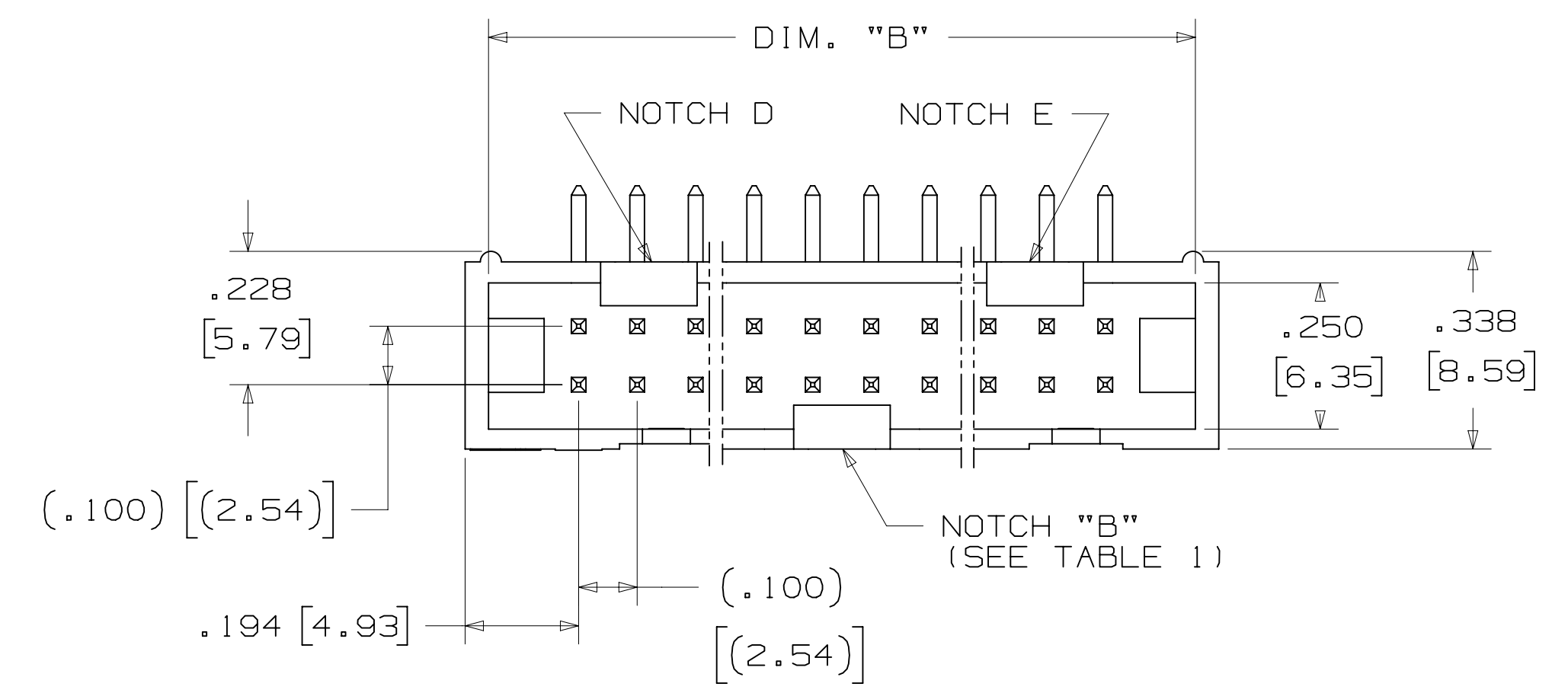
| | | | | | | |
|---------------------------------|---------------|----------------------------|------|----------------------------|------|------|
| DESIGN REFERENCE | NEXT ASSEMBLY | REV | ECO | ISSUE DATE AND DESCRIPTION | DRFT | CHKD |
| | | | | | | |
| REV | ECO | ISSUE DATE AND DESCRIPTION | DRFT | CHKD | | |
| | | | | | | |
| DIVISION | | DIVISION CODE | | DATE | | |
| Interconnect Solutions | | EMSD | | AUG 11, 2014 | | |
| DO NOT SCALE DRAWING | SCALE 4-1 | TOLERANCES EXCEPT AS NOTED | | DATE | | |
| THIRD ANGLE PROJECTION | | INCHES | | DATE | | |
| INTERPRET PER ASME Y14.5 - 2009 | | MILLIMETERS | | DATE | | |
| MAX SURFACE ROUGHNESS | | ANGLES | | DATE | | |
| SURFACES | | | | DATE | | |
| MARKED ONLY | | | | DATE | | |
| MODEL | | CAGE NUMBER | | DRAWING NO. | | REV. |
| 2500 SERIES | | D 78-5100-0770-7 | | N | | N |
| | | SHEET | | YES | | NO |
| | | SHT 2 | | OF 5 | | |

78-5100-0770-7
 N
 11:10 AM UTC-05:00
 Imaged: N.1 B/5/2016

3M™ FOUR-WALL HEADER, 2500 SERIES
 .100" X .100" LOW PROFILE, SURFACE MOUNT, STRAIGHT AND RIGHT ANGLE THROUGH-HOLE



| TABLE 1 | | | | |
|----------|---------------|---------------|--------------------|----------|
| PIN QTY. | DIM. "A" | DIM. "B" | POLARIZING NOTCHES | PIN QTY. |
| 06 | .588 [14.94] | .508 [12.90] | B | 06 |
| 08 | .688 [17.48] | .608 [15.44] | B | 08 |
| 10 | .788 [20.02] | .708 [17.98] | BC | 10 |
| 14 | .988 [25.10] | .908 [23.06] | BCDE | 14 |
| 16 | 1.088 [27.64] | 1.008 [25.60] | ABCDE | 16 |
| 20 | 1.288 [32.72] | 1.208 [30.68] | ABCDE | 20 |
| 24 | 1.488 [37.80] | 1.408 [35.76] | ABCDE | 24 |
| 26 | 1.588 [40.34] | 1.508 [38.30] | ABCDE | 26 |
| 30 | 1.788 [45.42] | 1.708 [43.38] | ABCDE | 30 |
| 34 | 1.988 [50.50] | 1.908 [48.46] | ABCDE | 34 |
| 36 | 2.088 [53.04] | 2.008 [51.00] | ABCDE | 36 |
| 40 | 2.288 [58.12] | 2.208 [56.08] | ABCDE | 40 |
| 50 | 2.788 [70.82] | 2.708 [68.78] | ABCDE | 50 |
| 60 | 3.288 [83.52] | 3.208 [81.48] | ABCDE | 60 |
| 64 | 3.488 [88.60] | 3.408 [86.56] | ABCDE | 64 |



ORDERING INFORMATION
 RIGHT ANGLE VERSION

X25XX-50XX-XX

N= HIGH TEMP BLACK (PCT)
 (RB, UB OR UG PLATING REQ'D)
 BLANK= (UB OR UG PLATING)

PLATING:
 RB = 30μ" [0.76μm] AVG. GOLD
 200μ" [5.08μm] MATTE TIN (RIA, E1 & C1 APPLY)
 UG = 15μ" [0.38μm] AVG. GOLD
 200μ" [5.08μm] 60:40 TIN-LEAD SOLDER TAILS
 (RIA E3 & C2 APPLY)
 UB = 30μ" [0.76μm] AVG. GOLD
 200μ" [5.08μm] 60:40 TIN LEAD SOLDER TAILS
 (RIA E3 & C2 APPLY)

PIN QUANTITY:
 (SEE TABLE 1)

SOLDER TAIL:
 02 = FOR .062 [1.57] THICK BOARD
 03 = FOR .094 TO .125 [2.39 TO 3.18]
 THICK BOARD

RECOMMENDED HOLE PATTERN
 SHOWN FROM COMPONENT SIDE

| | | | | | | |
|---|---------------|---|------------------------------------|---|---|------------|
| DESIGN REFERENCE | NEXT ASSEMBLY | REV | ECO | ISSUE DATE AND DESCRIPTION | DRFT | CHKD |
| Interconnect Solutions | EMSD | CASTIGLIONE | AUG 11, 2014 | REVISED AND REDRAWN | JNC | RS |
| DO NOT SCALE DRAWING | SCALE 4/1 | TOLERANCES EXCEPT AS NOTED | INCHES .00 ±.01 .000 ±.005 .0000 ± | MILLIMETERS 0 ± .0 ±.13 .000 ± | INTERPRET PER ASME Y14.5 - 2009 MAX SURFACE ROUGHNESS SURFACES MARKED ONLY | |
| THIRD ANGLE PROJECTION | | DIVISION CODE 3M Center St. Paul, MN 55144 | | © 3M COPYRIGHT 2016 This document and the information it contains are 3M property and may not be reproduced or further distributed without 3M permission, or used or disclosed other than for 3M authorized purposes. All rights reserved. | | |
| TITLE | | CAGE NUMBER | | DRAWING NO. | | REV. |
| HEADER, 4-WALL, LO-PRO, .100 X .100, SMT, STRAIGHT & RA | | D 78-5100-0770-7 | | N | | N |
| MODEL | | 2500 SERIES | | DET | | SHT 3 OF 5 |

78-5100-0770-7
 N
 REVISION
 11:10 AM UTC-05:00
 Imaged: N.1 B/5/2016

3M™ FOUR-WALL HEADER, 2500 SERIES

.100" X .100" LOW PROFILE, SURFACE MOUNT, STRAIGHT AND RIGHT ANGLE THROUGH-HOLE



SECTION C - C

| TABLE 1 | | | | | |
|----------|---------------|---------------|--------------------|------------------------|----------|
| PIN QTY. | DIM. "A" | DIM. "B" | POLARIZING NOTCHES | TAPE AND REEL PKG CODE | PIN QTY. |
| 06 | .588 [14.94] | .508 [12.90] | B | WD (44 MM) | 06 |
| 08 | .688 [17.48] | .608 [15.44] | B | WD (44 MM) | 08 |
| 10 | .788 [20.02] | .708 [17.98] | BC | WD (44 MM) | 10 |
| 14 | .988 [25.10] | .908 [23.06] | BCDE | WD (44 MM) | 14 |
| 16 | 1.088 [27.64] | 1.008 [25.60] | ABCDE | WD (44 MM) | 16 |
| 20 | 1.288 [32.72] | 1.208 [30.68] | ABCDE | WE (56 MM) | 20 |
| 24 | 1.488 [37.80] | 1.408 [35.76] | ABCDE | WE (56 MM) | 24 |
| 26 | 1.588 [40.34] | 1.508 [38.30] | ABCDE | WE (56 MM) | 26 |
| 30 | 1.788 [45.42] | 1.708 [43.38] | ABCDE | WF (72 MM) | 30 |
| 34 | 1.988 [50.50] | 1.908 [48.46] | ABCDE | WF (72 MM) | 34 |
| 36 | 2.088 [53.04] | 2.008 [51.00] | ABCDE | WG (88 MM) | 36 |
| 40 | 2.288 [58.12] | 2.208 [56.08] | ABCDE | WG (88 MM) | 40 |
| 50 | 2.788 [70.82] | 2.708 [68.78] | ABCDE | WG (88 MM) | 50 |
| 60 | 3.288 [83.52] | 3.208 [81.48] | ABCDE | WH (120 MM) | 60 |
| 64 | 3.488 [88.60] | 3.408 [86.56] | ABCDE | WH (120 MM) | 64 |



RECOMMENDED PAD LAYOUT

ORDERING INFORMATION SURFACE MOUNT VERSION

N25XX-6VOC-XX-XX

N = HIGH TEMP BLACK (PCT) (RB PLATING REQ'D)

PIN QUANTITY: (SEE TABLE 1)

PACKAGING OPTIONS: WX = TAPE & REEL PACKAGING (SEE TABLE 1)

PLATING: RB = 30µ" [0.76µm] AVG. GOLD 200µ" [5.08µm] MATTE TIN (RIA, E1 & C1 APPLY)

| | | | | | | |
|----------------------------------|---------------|---|-----|------------------------------|------|------|
| DESIGN REFERENCE | NEXT ASSEMBLY | REV | ECO | ISSUE DATE AND DESCRIPTION | DRFT | CHKD |
| | | | | AUG 11, 2014 | | |
| DIVISION: Interconnect Solutions | | DIVISION CODE: EMSD | | DATE: AUG 11, 2014 | | |
| DO NOT SCALE DRAWING | | SCALE: 4/1 | | TOLERANCES EXCEPT AS NOTED | | |
| THIRD ANGLE PROJECTION | | INCHES: .00 ± .01, .000 ± .005, .0000 ± | | MILLIMETERS: 0 ± | | |
| INTERPRET PER ASME Y14.5 - 2009 | | MAX SURFACE ROUGHNESS: .00 ± .13 | | CAGE NUMBER: D78-5100-0770-7 | | |
| MARKED ONLY | | ANGLES: 1/16 | | REV. N | | |
| MODEL: 2500 SERIES | | | | SHEET: 4 OF 5 | | |

| | | | | |
|-----|-------|----------------------------|------|------|
| N | 68908 | AUG 02, 2016 | JNC | SC |
| M | 56068 | AUG 11, 2014 | JNC | RS |
| REV | ECO | ISSUE DATE AND DESCRIPTION | DRFT | CHKD |
| | | AUG 11, 2014 | | |

© 3M COPYRIGHT 2016
 This document and the information it contains are 3M property and may not be reproduced or further distributed without 3M permission, or used or disclosed other than for 3M authorized purposes. All rights reserved.

3M Center St. Paul, MN 55144

HEADER, 4-WALL, LO-PRO, .100 X .100, SMT, STRAIGHT & RA

DRAWING NUMBER: 78-5100-0770-7

REVISION: N

DATE: AUG 11, 2014

DRAWN BY: R. SCHERER

CHECKED BY: R. SCHERER

DATE: SEP 05, 2014

CAGE NUMBER: D78-5100-0770-7

REV. N

SHEET: 4 OF 5

3M™ FOUR-WALL HEADER, 2500 SERIES
 .100" X .100" LOW PROFILE, SURFACE MOUNT, STRAIGHT AND RIGHT ANGLE THROUGH-HOLE

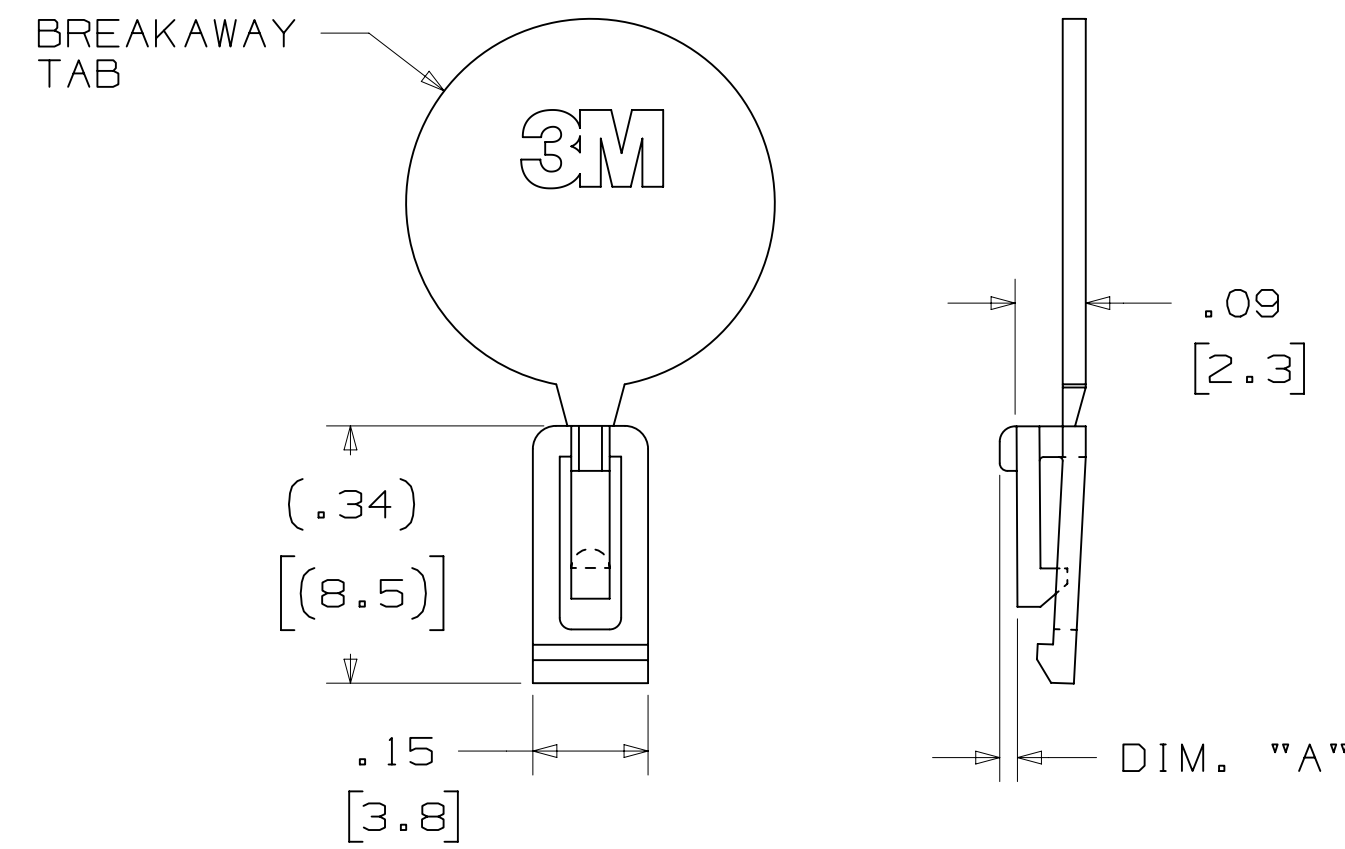
PART CUSTOMIZATION

THIS SPEC SHEET DETAILS OUR STANDARD OFFERING.

3M HAS SEVERAL CAPABILITIES THAT CAN PROVIDE A PART TAILORED TO YOUR SPECIFIC NEEDS. ASK YOUR 3M SALES REPRESENTATIVE OR CUSTOMER SERVICE FOR MORE DETAILS.

- * SELECTIVE PIN REMOVAL (FOR BOARD ASSEMBLY POLARIZATION).
- * DIFFERENT PIN LENGTHS.

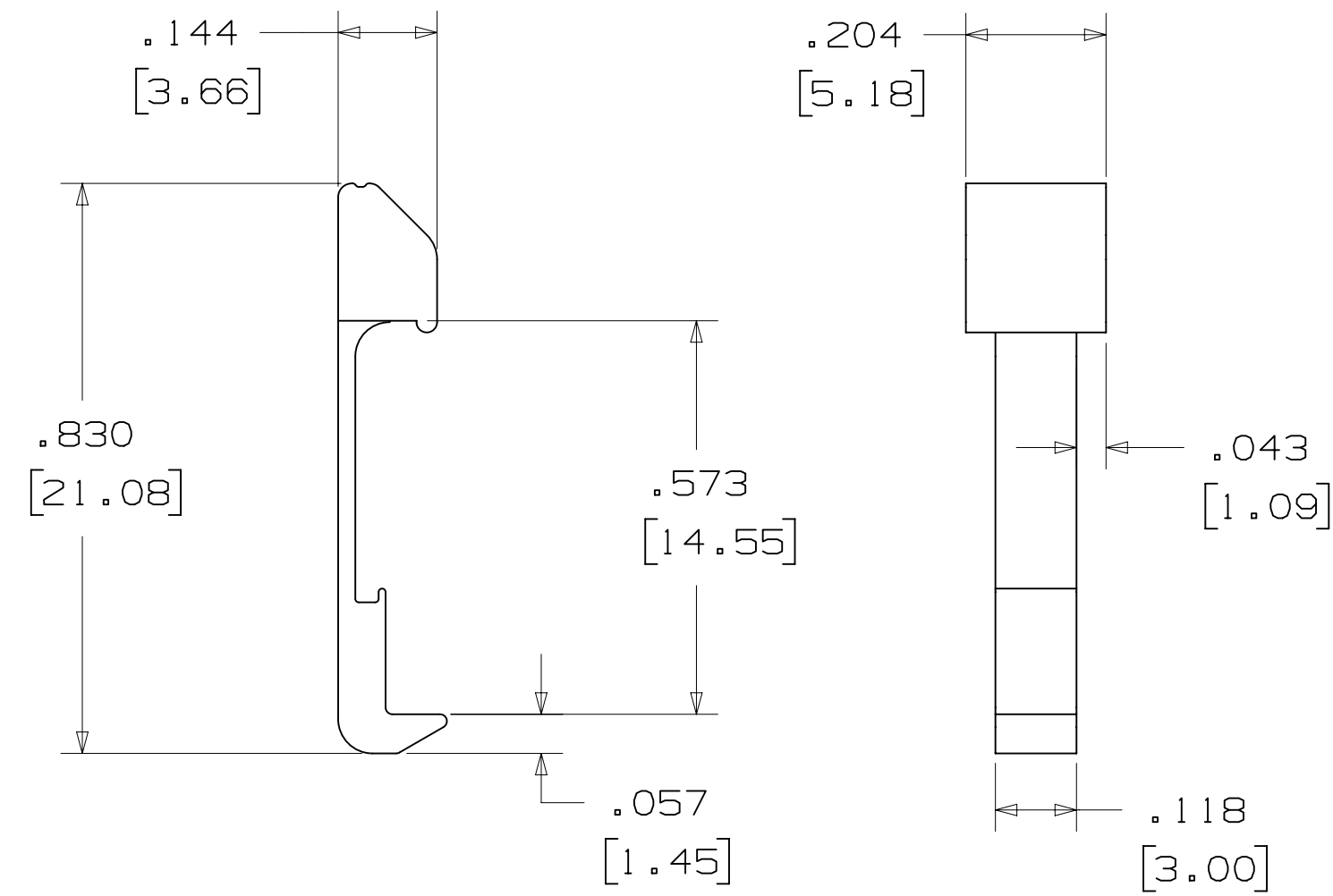
POLARIZING KEY



| 3M PART NO. | MATERIAL | COLOR | DIM. "A" |
|-------------|----------|-------|----------|
| N3518 | LCP | BLACK | .02 |

NOTE:
 #2216 B/A SCOTCHWELD CAN BE USED TO ADHERE KEYS.

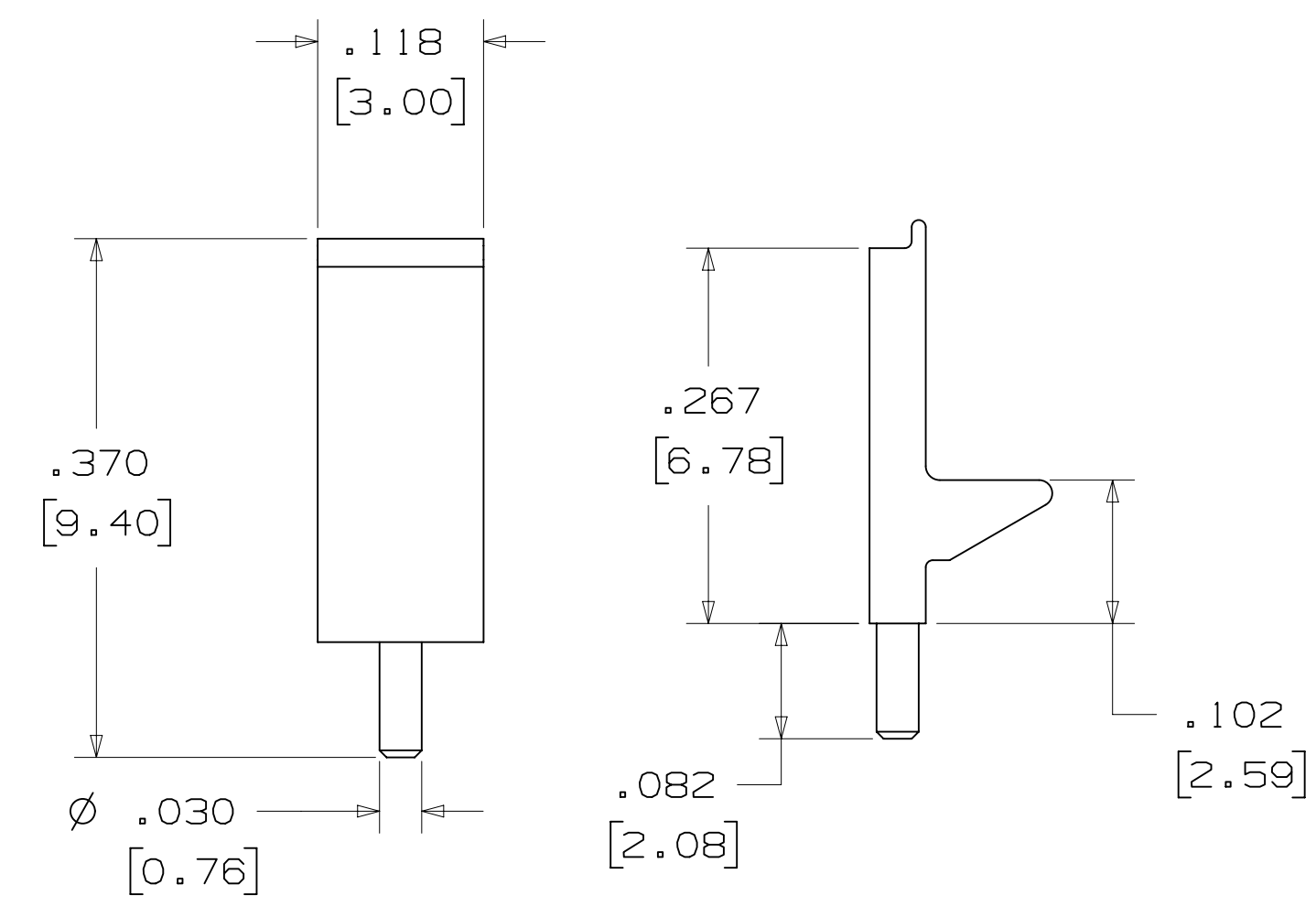
LOW PROFILE LATCH



| PART NO. | MATERIAL | COLOR |
|----------|----------|-------|
| 3505-33B | NYLON | BLACK |

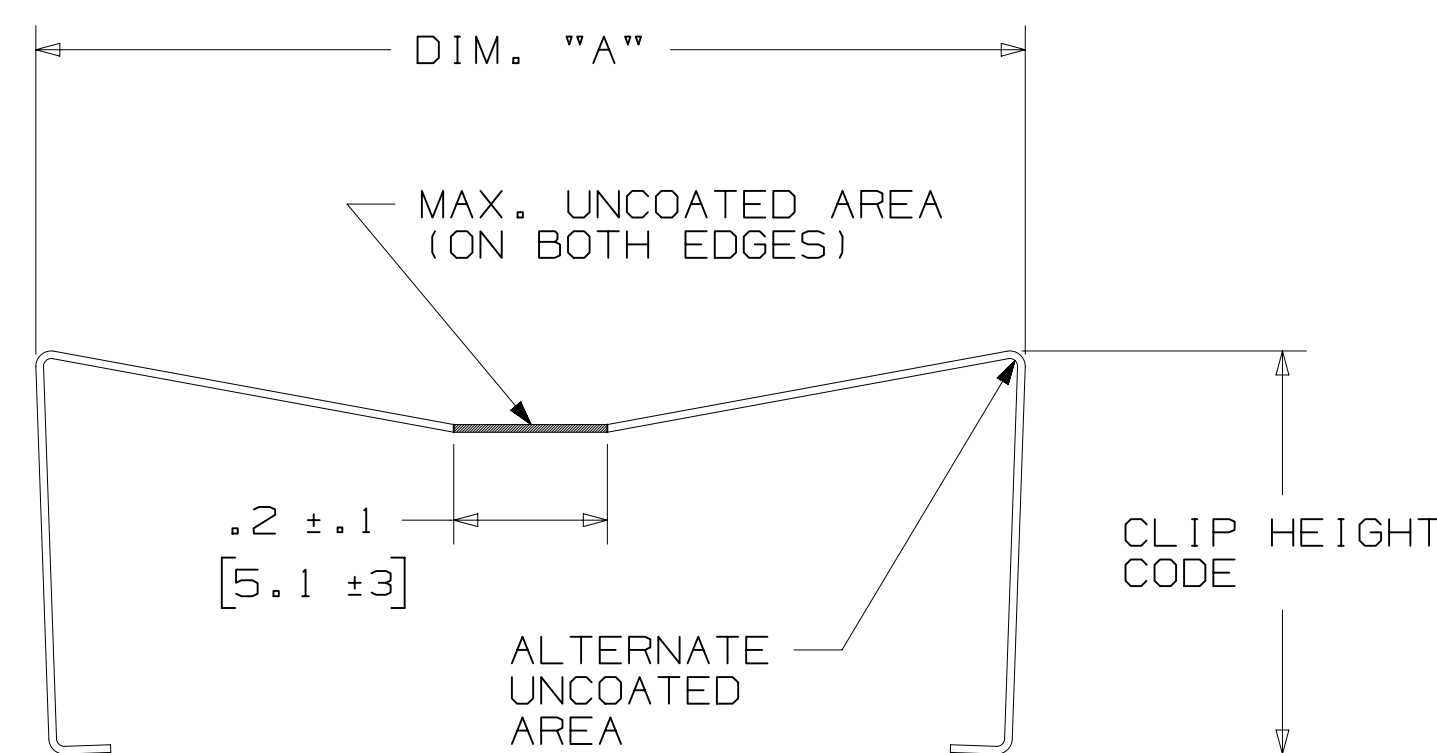
NOTE:
 LATCHES NOT COMPATIBLE WITH REFLOW SOLDERING.
 ATTACH LATCHES AFTER SOLDERING.

POLARIZING POST



| PART NO. | MATERIAL | COLOR |
|----------|----------|-------|
| 3201-3 | PCT | BLACK |

SHORT/LONG SOCKET RETAINER CLIP



| PIN QTY. | DIM. "A" |
|----------|-------------|
| 06 | N/A |
| 08 | N/A |
| 10 | .81 [20.6] |
| 14 | 1.02 [25.9] |
| 16 | 1.12 [28.4] |
| 20 | 1.32 [33.5] |
| 24 | 1.52 [38.7] |
| 26 | 1.63 [41.4] |
| 30 | 1.83 [46.4] |
| 34 | 2.03 [51.6] |
| 36 | N/A |
| 40 | 2.33 [59.2] |
| 50 | 2.83 [71.9] |
| 60 | 3.33 [84.6] |
| 64 | 3.53 [89.7] |

NOTE:
 STAINLESS STEEL WITH GRAY POLYURETHANE COATING.

3505-8XXX

CLIP HEIGHT CODE _____ PIN COUNT (SEE TABLE)
 0 = .31 [7.9] FOR SOCKETS WITHOUT STRAIN RELIEF
 1 = .53 [13.5] FOR SOCKETS WITH STRAIN RELIEF

NOTE:
 1) THE FOLLOWING RETAINER CLIPS HAVE BEEN DISCONTINUED:
 3505-8064
 3505-8124
 3505-8150

| | | | | | | |
|------------------------------------|---------------|---|-----|--|------|------|
| DESIGN REFERENCE | NEXT ASSEMBLY | REV | ECO | ISSUE DATE AND DESCRIPTION | DRFT | CHKD |
| | | | | AUG 11, 2014 | | |
| DIVISION Interconnect Solutions | | DIVISION CODE EMSD | | DATE AUG 11, 2014 | | |
| DO NOT SCALE DRAWING | | SCALE 4/1 | | TOLERANCES EXCEPT AS NOTED | | |
| THIRD ANGLE PROJECTION | | INCHES .00 ± .01 .000 ± .005 .0000 ± | | MILLIMETERS 0 ± | | |
| INTERPRET PER ASME Y14.5 - 2009 | | MAX SURFACE ROUGHNESS SURFACES | | .0 ± .3 .00 ± .13 .000 ± | | |
| MARKED ONLY | | ANGLE | | TITLE HEADER, 4-WALL, LO-PRO, .100 X .100, SMT, STRAIGHT & RA | | |
| MODEL 2500 SERIES | | CAGE NUMBER D78-5100-0770-7 | | REV. N | | |

78-5100-0770-7
 11:10 AM UTC-05:00
 N REVISION
 C
 B
 A