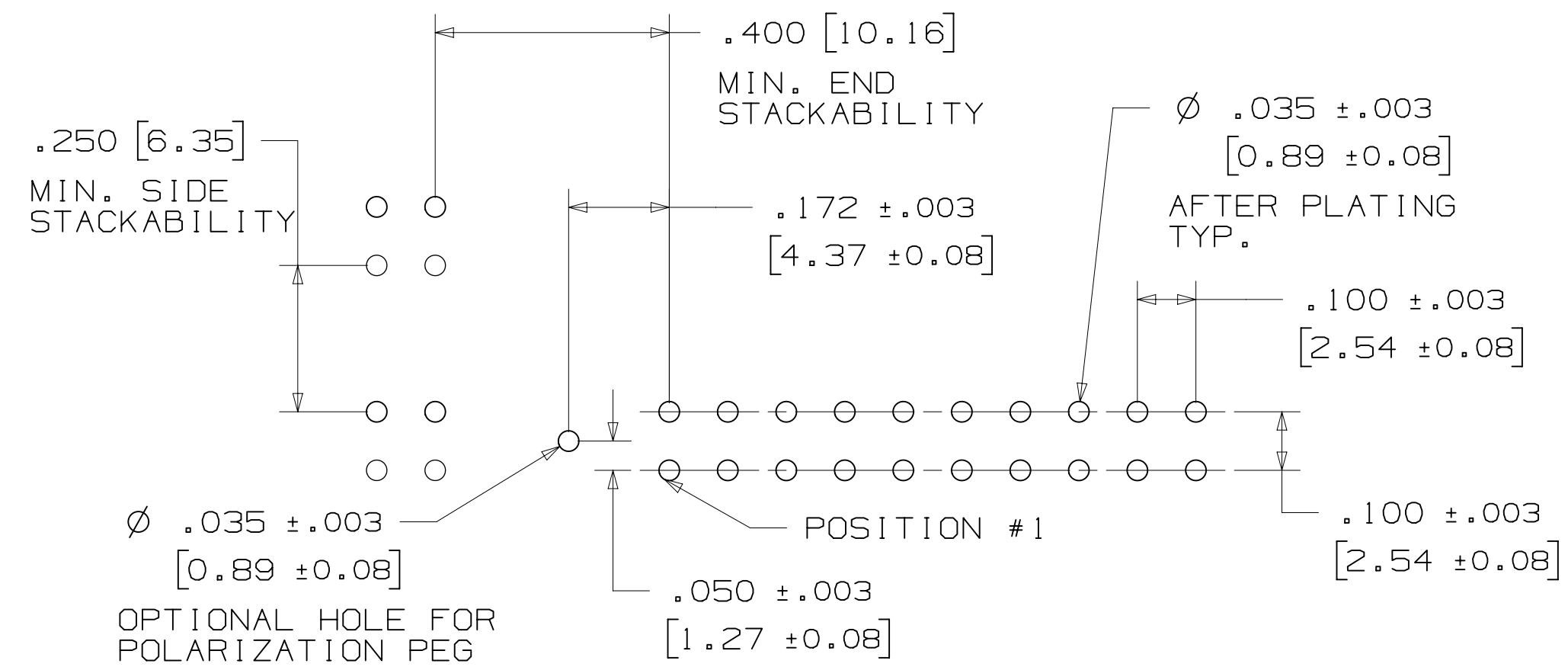
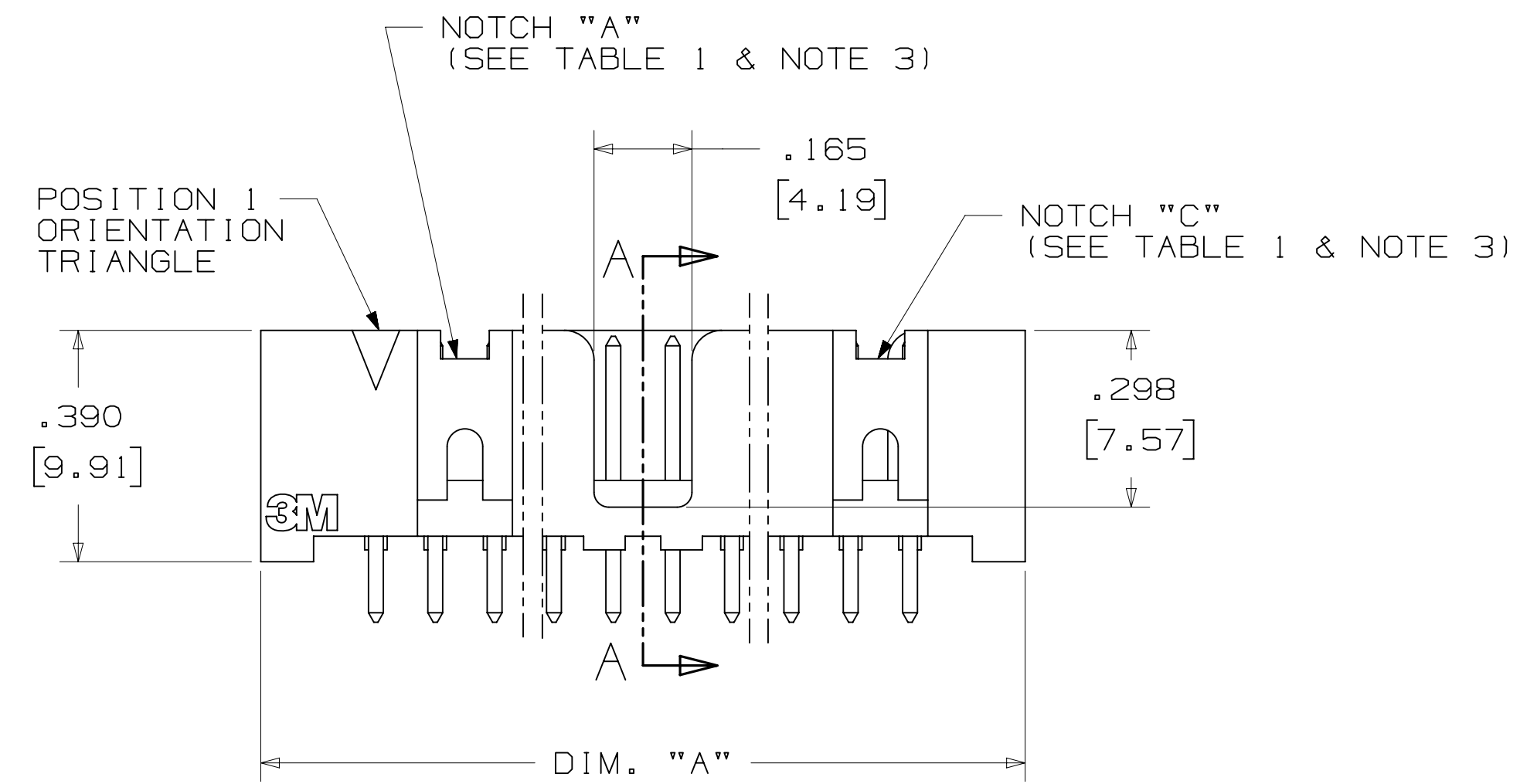
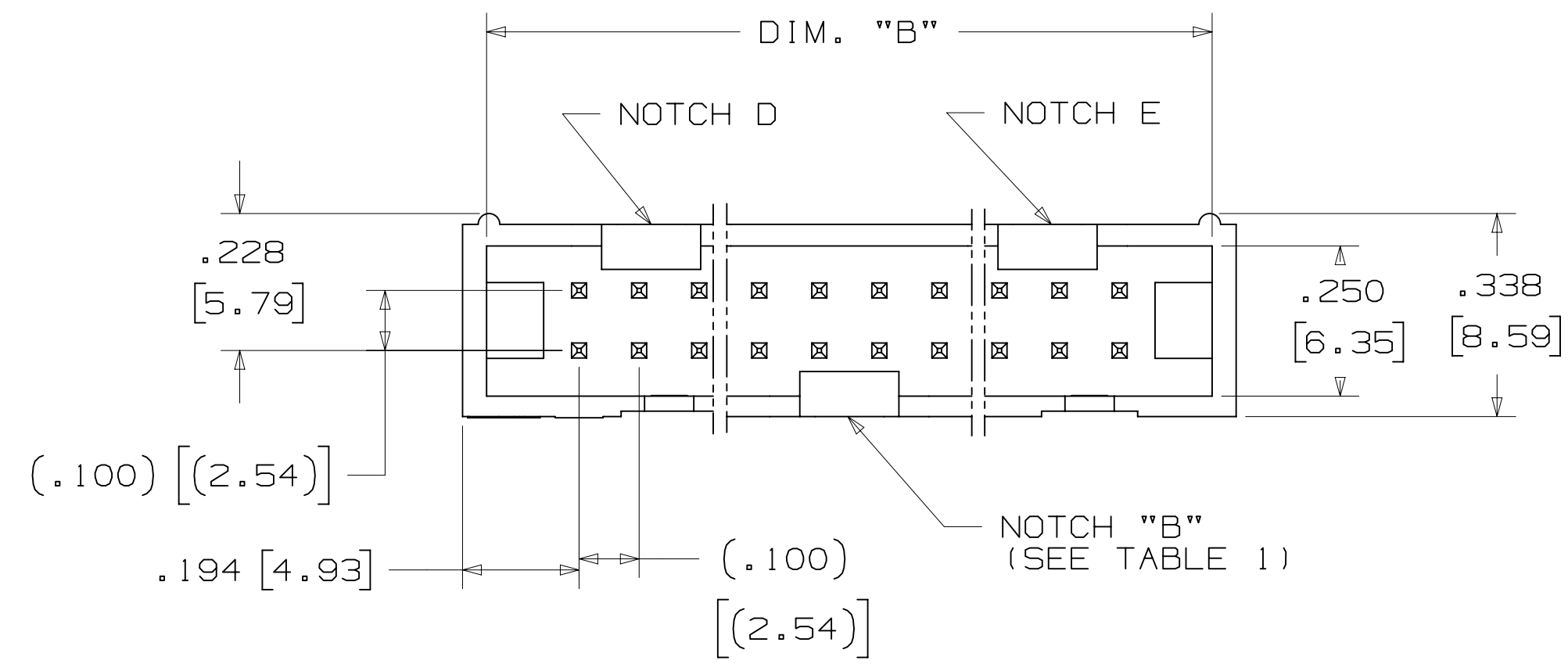


3M™ FOUR-WALL HEADER, 2500 SERIES
 .100" X .100" LOW PROFILE, SURFACE MOUNT, STRAIGHT AND RIGHT ANGLE THROUGH-HOLE



TABLE 1				
PIN QTY.	DIM. "A"	DIM. "B"	POLARIZING NOTCHES	PIN QTY.
06	.588 [14.94]	.508 [12.90]	B	06
08	.688 [17.48]	.608 [15.44]	B	08
10	.788 [20.02]	.708 [17.98]	BC	10
14	.988 [25.10]	.908 [23.06]	BCDE	14
16	1.088 [27.64]	1.008 [25.60]	ABCDE	16
20	1.288 [32.72]	1.208 [30.68]	ABCDE	20
24	1.488 [37.80]	1.408 [35.76]	ABCDE	24
26	1.588 [40.34]	1.508 [38.30]	ABCDE	26
30	1.788 [45.42]	1.708 [43.38]	ABCDE	30
34	1.988 [50.50]	1.908 [48.46]	ABCDE	34
36	2.088 [53.04]	2.008 [51.00]	ABCDE	36
40	2.288 [58.12]	2.208 [56.08]	ABCDE	40
50	2.788 [70.82]	2.708 [68.78]	ABCDE	50
60	3.288 [83.52]	3.208 [81.48]	ABCDE	60
64	3.488 [88.60]	3.408 [86.56]	ABCDE	64



ORDERING INFORMATION
 STRAIGHT VERSION

X25XX-60XX-XX

N = HIGH TEMP BLACK (PCT)
 (RB, UB OR UG PLATING REQ'D)
 BLANK = (UB OR UG PLATING)

PIN QUANTITY:
 (SEE TABLE 1)

SOLDER TAIL:
 02 = FOR .062 [1.57] THICK BOARD
 03 = FOR .094 TO .125 [2.39 TO 3.18]
 THICK BOARD

PLATING:
 RB = 30µ" [0.76µm] AVG. GOLD
 200µ" [5.08µm] MATTE TIN (RIA, E1 & C1 APPLY)
 UG = 15µ" [0.38µm] AVG. GOLD
 200µ" [5.08µm] 60:40 TIN-LEAD SOLDER TAILS
 (RIA E3 & C2 APPLY)
 UB = 30µ" [0.76µm] AVG. GOLD
 200µ" [5.08µm] 60:40 TIN LEAD SOLDER TAILS
 (RIA E3 & C2 APPLY)

RECOMMENDED HOLE PATTERN
 SHOWN FROM COMPONENT SIDE

DESIGN REFERENCE	NEXT ASSEMBLY	REV	ECO	ISSUE DATE AND DESCRIPTION	DRFT	CHKD
DO NOT SCALE DRAWING	SCALE 4-1	TOLERANCES EXCEPT AS NOTED		INCHES		
THIRD ANGLE PROJECTION		MILLIMETERS		REV.		
INTERPRET PER ASME Y14.5 - 2009		.00 ± .01 .000 ± .005 .0000 ±		CAGE NUMBER		
MAX SURFACE ROUGHNESS		.0 ± .3 .00 ± .13 .000 ±		DRAWING NO.		
MARKED ONLY		ANGLES		MODEL		
				2500 SERIES		
				DATE		
				AUG 11, 2014		
				DATE		
				SEP 05, 2014		
				DATE		
				AUG 11, 2014		
				DATE		
				SEP 05, 2014		
				DATE		
				AUG 11, 2014		
				DATE		
				SEP 05, 2014		
				DATE		
				AUG 11, 2014		
				DATE		
				SEP 05, 2014		
				DATE		
				AUG 11, 2014		
				DATE		
				SEP 05, 2014		
				DATE		
				AUG 11, 2014		
				DATE		
				SEP 05, 2014		
				DATE		
				AUG 11, 2014		
				DATE		
				SEP 05, 2014		
				DATE		
				AUG 11, 2014		
				DATE		
				SEP 05, 2014		
				DATE		
				AUG 11, 2014		
				DATE		
				SEP 05, 2014		
				DATE		
				AUG 11, 2014		
				DATE		
				SEP 05, 2014		
				DATE		
				AUG 11, 2014		
				DATE		
				SEP 05, 2014		
				DATE		
				AUG 11, 2014		
				DATE		
				SEP 05, 2014		
				DATE		
				AUG 11, 2014		
				DATE		
				SEP 05, 2014		
				DATE		
				AUG 11, 2014		
				DATE		
				SEP 05, 2014		
				DATE		
				AUG 11, 2014		
				DATE		
				SEP 05, 2014		
				DATE		
				AUG 11, 2014		
				DATE		
				SEP 05, 2014		
				DATE		
				AUG 11, 2014		
				DATE		
				SEP 05, 2014		
				DATE		
				AUG 11, 2014		
				DATE		
				SEP 05, 2014		
				DATE		
				AUG 11, 2014		
				DATE		
				SEP 05, 2014		
				DATE		
				AUG 11, 2014		
				DATE		
				SEP 05, 2014		
				DATE		
				AUG 11, 2014		
				DATE		
				SEP 05, 2014		
				DATE		
				AUG 11, 2014		
				DATE		
				SEP 05, 2014		
				DATE		
				AUG 11, 2014		
				DATE		
				SEP 05, 2014		
				DATE		
				AUG 11, 2014		
				DATE		
				SEP 05, 2014		
				DATE		
				AUG 11, 2014		
				DATE		
				SEP 05, 2014		
				DATE		
				AUG 11, 2014		
				DATE		
				SEP 05, 2014		
				DATE		
				AUG 11, 2014		
				DATE		
				SEP 05, 2014		
				DATE		
				AUG 11, 2014		
				DATE		
				SEP 05, 2014		
				DATE		
				AUG 11, 2014		
				DATE		
				SEP 05, 2014		
				DATE		
				AUG 11, 2014		
				DATE		
				SEP 05, 2014		
				DATE		
				AUG 11, 2014		
				DATE		
				SEP 05, 2014		
				DATE		
				AUG 11, 2014		
				DATE		
				SEP 05, 2014		
				DATE		
				AUG 11, 2014		
				DATE		
				SEP 05, 2014		
				DATE		
				AUG 11, 2014		
				DATE		
				SEP 05, 2014		
				DATE		
				AUG 11, 2014		
				DATE		
				SEP 05, 2014		
				DATE		
				AUG 11, 2014		
				DATE		
				SEP 05, 2014		
				DATE		
				AUG 11, 2014		
				DATE		
				SEP 05, 2014		
				DATE		
				AUG 11, 2014		
				DATE		
				SEP 05, 2014		
				DATE		
				AUG 11, 2014		
				DATE		
				SEP 05, 2014		
				DATE		
				AUG 11, 2014		
				DATE		
				SEP 05, 2014		
				DATE		
				AUG 11, 2014		
				DATE		
				SEP 05, 2014		
				DATE		
				AUG 11, 2014		
				DATE		
				SEP 05, 2014		
				DATE		
				AUG 11, 2014		
				DATE		
				SEP 05, 2014		
				DATE		
				AUG 11, 2014		
				DATE		
				SEP 05, 2014		
				DATE		
				AUG 11, 2014		
				DATE		
				SEP 05, 2014		
				DATE		
				AUG 11, 2014		
				DATE		
				SEP 05, 2014		
				DATE		
				AUG 11, 2014		
				DATE		
				SEP 05, 2014		
				DATE		
				AUG 11, 2014		
				DATE		
				SEP 05, 2014		
				DATE		
				AUG 11, 2014		
				DATE		
				SEP 05, 2014		
				DATE		
				AUG 11, 2014		
				DATE		
				SEP 05, 2014		
				DATE		
				AUG 11, 2014		
				DATE		
				SEP 05, 2014		
				DATE		
				AUG 11, 2014		
				DATE		
				SEP 05, 2014		
				DATE		
				AUG 11, 2014		
				DATE		
				SEP 05, 2014		
				DATE		
				AUG 11, 2014		
				DATE		
				SEP 05, 2014		
				DATE		
				AUG 11, 2014		
				DATE		
				SEP 05, 2014		
				DATE		
				AUG 11, 2014		
				DATE		
				SEP 05, 2014		
				DATE		
				AUG 11, 2014		
				DATE		
				SEP 05, 2014		
				DATE		
				AUG 11, 2014		
				DATE		
				SEP 05, 2014		
				DATE		
				AUG 11, 2014		
				DATE		
				SEP 05, 2014		
				DATE		
				AUG 11, 2014		
				DATE		
				SEP 05, 2014		
				DATE		
				AUG 11, 2014		
				DATE		
				SEP 05, 2014		
				DATE		
				AUG 11, 2014		
				DATE		
				SEP 05, 2014		
				DATE		
				AUG 11, 2014		
				DATE		
				SEP 05, 2014		
				DATE		
				AUG 11, 2014		
				DATE		
				SEP 05, 2014		
				DATE		
				AUG 11, 2014		
				DATE		
				SEP 05, 2014		
				DATE		
				AUG 11, 2014		
				DATE		
				SEP 05, 2014		
				DATE		
				AUG 11, 2014		
				DATE		
				SEP 05, 2014		
				DATE		
				AUG 11, 2014		
				DATE		
				SEP 05, 2014		
				DATE		
				AUG 11, 2014		
				DATE		
				SEP 05, 2014		
				DATE		
				AUG 11, 2014		
				DATE		
				SEP 05, 2014		
				DATE		
				AUG 11, 2014		
				DATE		
				SEP 05, 2014		
				DATE		
				AUG 11, 2014		
				DATE		
				SEP 05, 2014		
				DATE		
				AUG 11, 2014		
				DATE		
				SEP 05, 2014		
				DATE		
				AUG 11, 2014		
				DATE		
				SEP 05, 2014		
				DATE		
				AUG 11, 2014		
				DATE		
				SEP 05, 2014		
				DATE		
				AUG 11, 2014		
				DATE		
				SEP 05, 2014		
				DATE		
				AUG 11, 2014		
				DATE		
				SEP 05, 2014		
				DATE		
				AUG 11, 2014		
				DATE		
				SEP 05, 2014		
				DATE		
				AUG 11, 2014		
				DATE		
				SEP 05, 2014		
				DATE		
				AUG 11, 2014		
				DATE		

3M™ FOUR-WALL HEADER, 2500 SERIES

.100" X .100" LOW PROFILE, SURFACE MOUNT, STRAIGHT AND RIGHT ANGLE THROUGH-HOLE



SECTION C - C

TABLE 1					
PIN QTY.	DIM. "A"	DIM. "B"	POLARIZING NOTCHES	TAPE AND REEL PKG CODE	PIN QTY.
06	.588 [14.94]	.508 [12.90]	B	WD (44 MM)	06
08	.688 [17.48]	.608 [15.44]	B	WD (44 MM)	08
10	.788 [20.02]	.708 [17.98]	BC	WD (44 MM)	10
14	.988 [25.10]	.908 [23.06]	BCDE	WD (44 MM)	14
16	1.088 [27.64]	1.008 [25.60]	ABCDE	WD (44 MM)	16
20	1.288 [32.72]	1.208 [30.68]	ABCDE	WE (56 MM)	20
24	1.488 [37.80]	1.408 [35.76]	ABCDE	WE (56 MM)	24
26	1.588 [40.34]	1.508 [38.30]	ABCDE	WE (56 MM)	26
30	1.788 [45.42]	1.708 [43.38]	ABCDE	WF (72 MM)	30
34	1.988 [50.50]	1.908 [48.46]	ABCDE	WF (72 MM)	34
36	2.088 [53.04]	2.008 [51.00]	ABCDE	WG (88 MM)	36
40	2.288 [58.12]	2.208 [56.08]	ABCDE	WG (88 MM)	40
50	2.788 [70.82]	2.708 [68.78]	ABCDE	WG (88 MM)	50
60	3.288 [83.52]	3.208 [81.48]	ABCDE	WH (120 MM)	60
64	3.488 [88.60]	3.408 [86.56]	ABCDE	WH (120 MM)	64



RECOMMENDED PAD LAYOUT

ORDERING INFORMATION SURFACE MOUNT VERSION

N25XX-6VOC-XX-XX

N = HIGH TEMP BLACK (PCT) (RB PLATING REQ'D)

PIN QUANTITY: (SEE TABLE 1)

PACKAGING OPTIONS: WX = TAPE & REEL PACKAGING (SEE TABLE 1)

PLATING: RB = 30µ" [0.76µm] AVG. GOLD 200µ" [5.08µm] MATTE TIN (RIA, E1 & C1 APPLY)

DESIGN REFERENCE	NEXT ASSEMBLY	REV	ECO	ISSUE DATE AND DESCRIPTION	DRFT	CHKD
				AUG 11, 2014		
DIVISION: Interconnect Solutions		DIVISION CODE: EMSD		DATE: AUG 11, 2014		
DO NOT SCALE DRAWING		SCALE: 4/1		TOLERANCES EXCEPT AS NOTED		
THIRD ANGLE PROJECTION		INCHES: .00 ± .01, .000 ± .005, .0000 ±		MILLIMETERS: 0 ±, .0 ± .3, .00 ± .13, .000 ±		
MAX SURFACE ROUGHNESS: SURFACES		MARKED ONLY		CAGE NUMBER: D78-5100-0770-7		
				MODEL: 2500 SERIES		
				REV. N		

N	68908	AUG 02, 2016	JNC	SC
M	56068	AUG 11, 2014	JNC	RS

© 3M COPYRIGHT 2016
 This document and the information it contains are 3M property and may not be reproduced or further distributed without 3M permission, or used or disclosed other than for 3M authorized purposes. All rights reserved.

3M Center St. Paul, MN 55144

HEADER, 4-WALL, LO-PRO, .100 X .100, SMT, STRAIGHT & RA

REV. N

SHT 4 OF 5

Imaged: N.1 B/5/2016 11:10 AM UTC-05:00

3M™ FOUR-WALL HEADER, 2500 SERIES
 .100" X .100" LOW PROFILE, SURFACE MOUNT, STRAIGHT AND RIGHT ANGLE THROUGH-HOLE

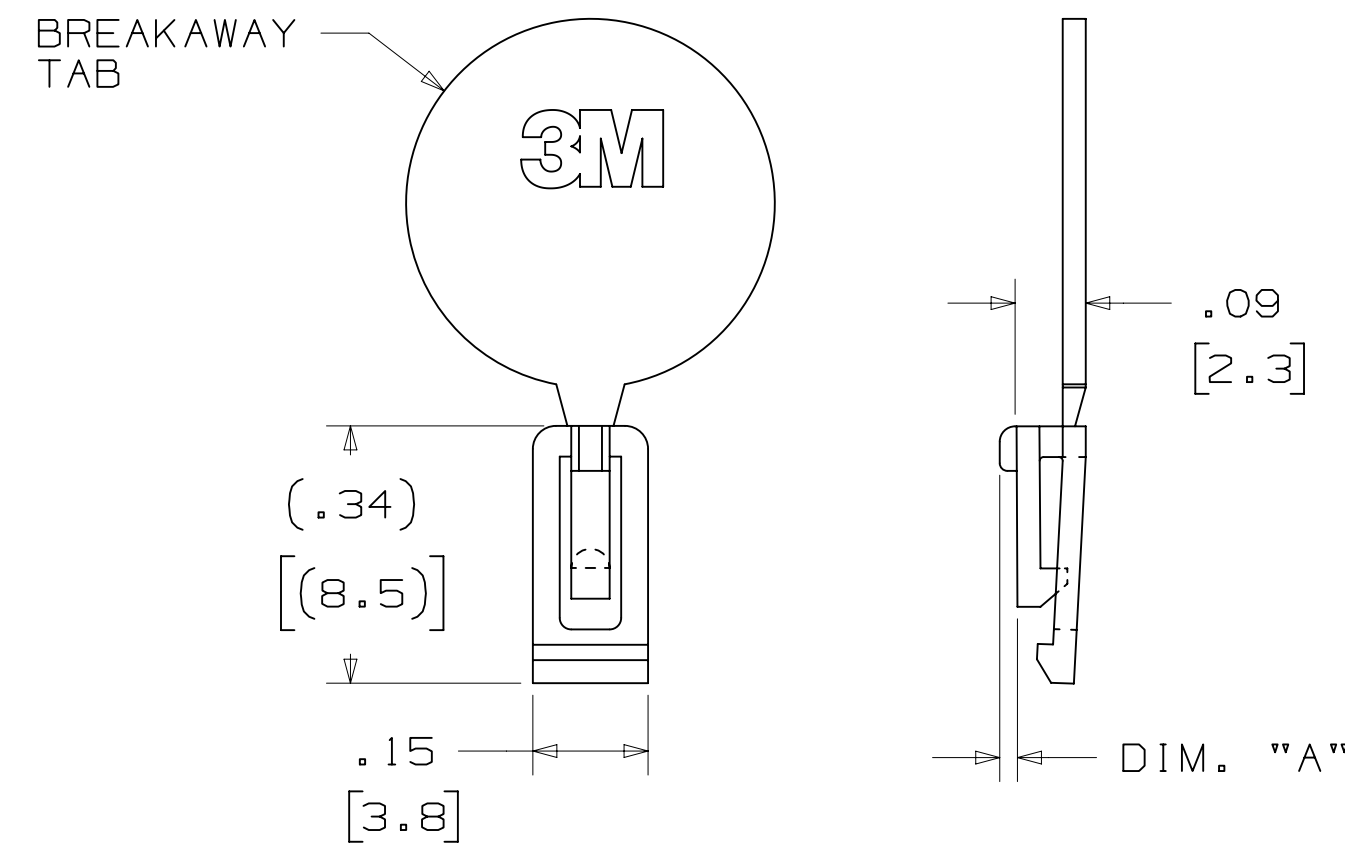
PART CUSTOMIZATION

THIS SPEC SHEET DETAILS OUR STANDARD OFFERING.

3M HAS SEVERAL CAPABILITIES THAT CAN PROVIDE A PART TAILORED TO YOUR SPECIFIC NEEDS. ASK YOUR 3M SALES REPRESENTATIVE OR CUSTOMER SERVICE FOR MORE DETAILS.

- * SELECTIVE PIN REMOVAL (FOR BOARD ASSEMBLY POLARIZATION).
- * DIFFERENT PIN LENGTHS.

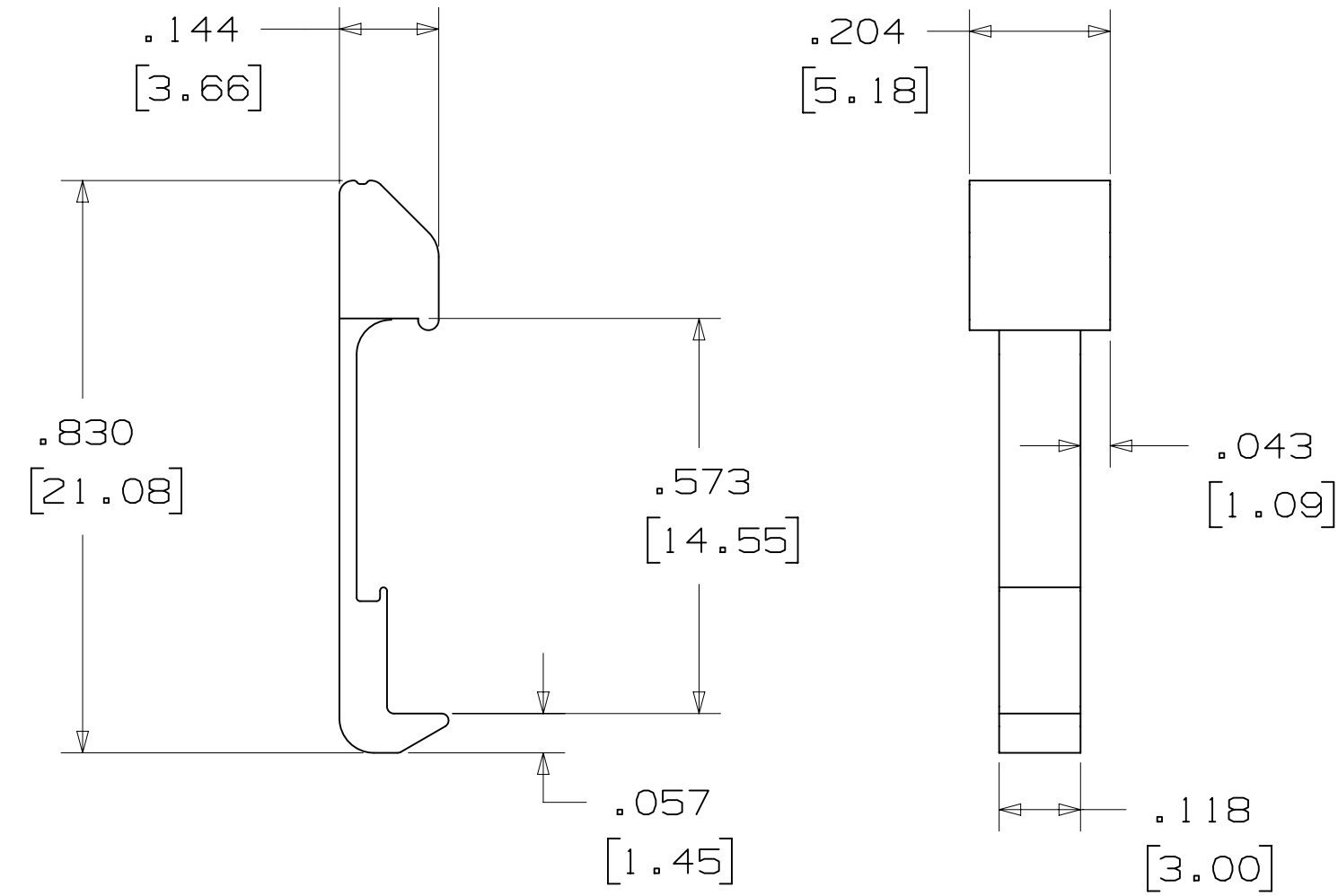
POLARIZING KEY



3M PART NO.	MATERIAL	COLOR	DIM. "A"
N3518	LCP	BLACK	.02

NOTE:
 #2216 B/A SCOTCHWELD CAN BE USED TO ADHERE KEYS.

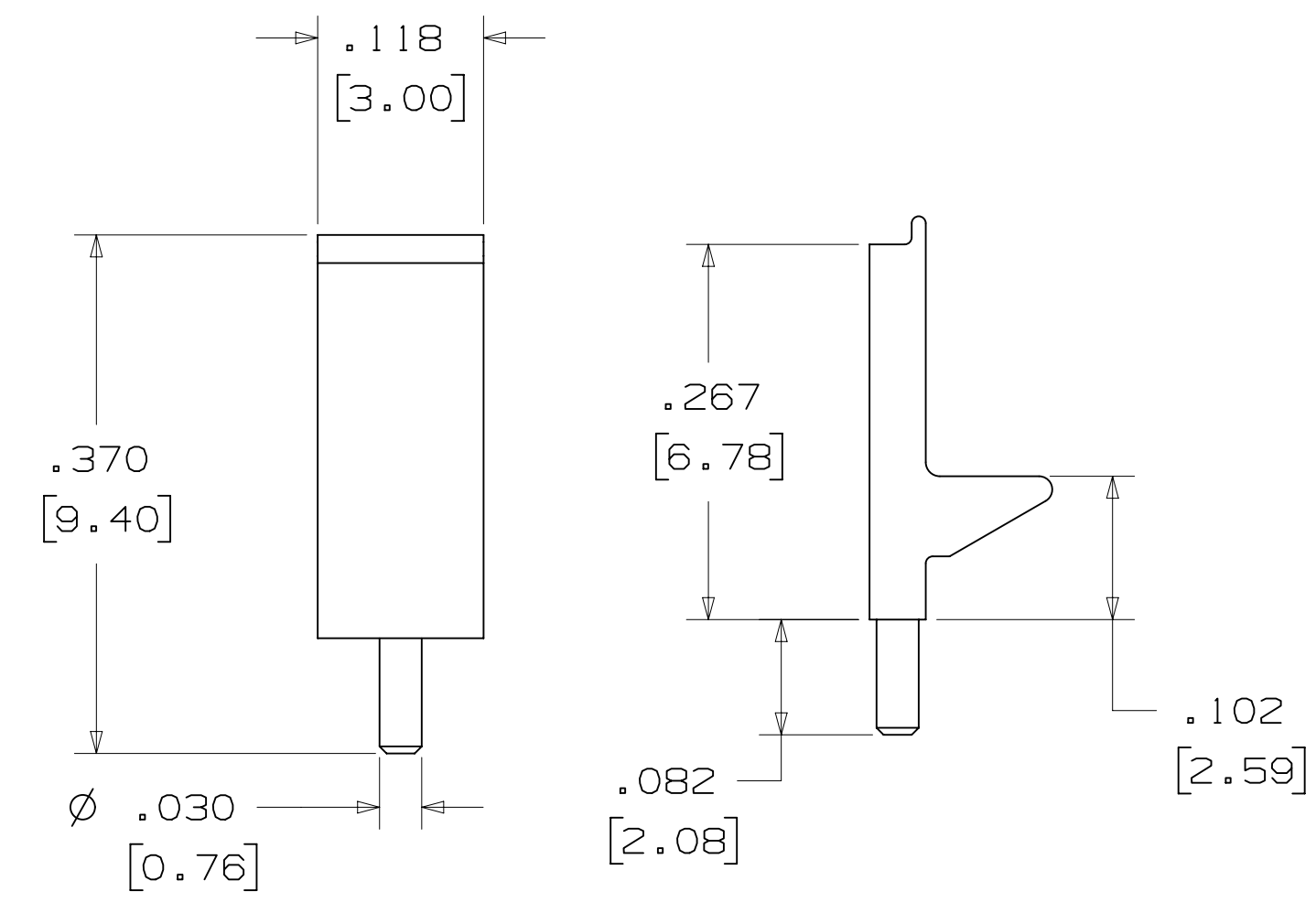
LOW PROFILE LATCH



PART NO.	MATERIAL	COLOR
3505-33B	NYLON	BLACK

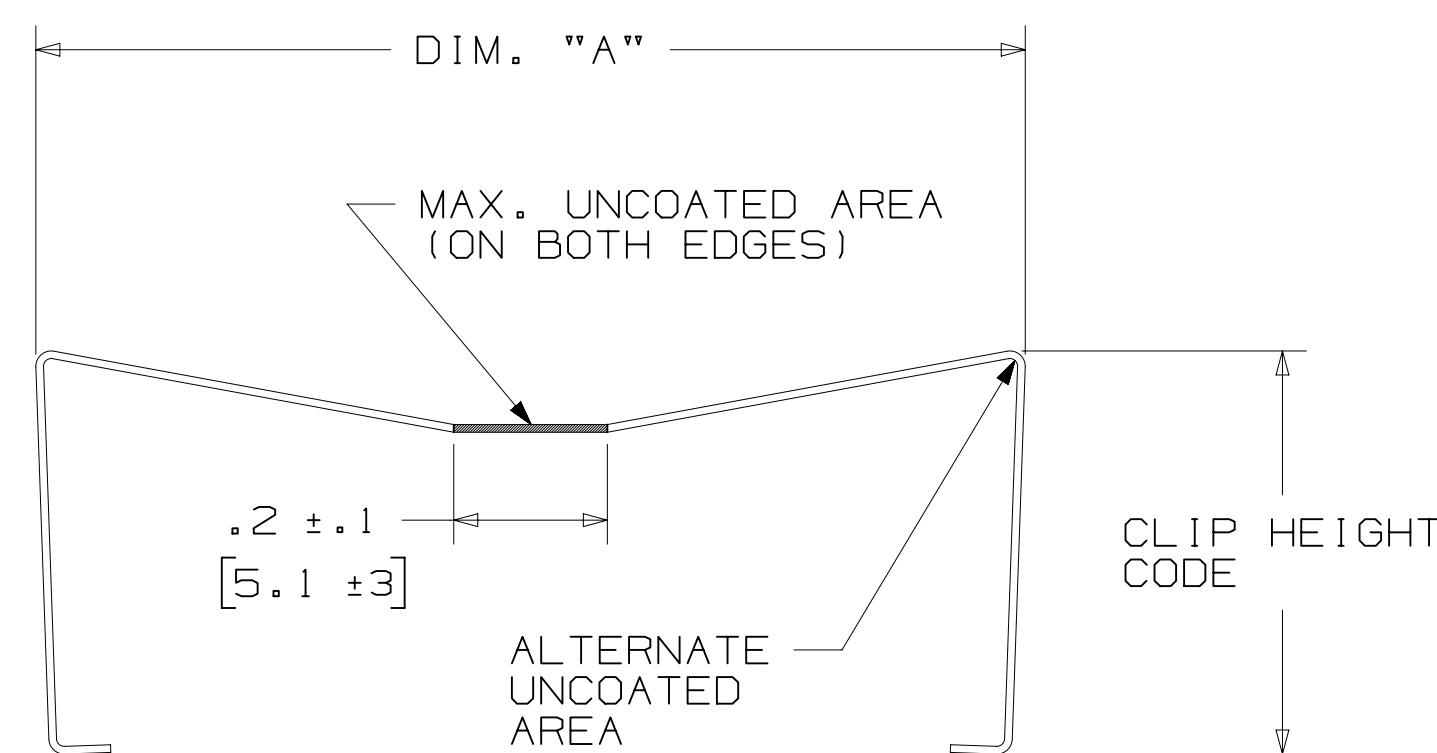
NOTE:
 LATCHES NOT COMPATIBLE WITH REFLOW SOLDERING.
 ATTACH LATCHES AFTER SOLDERING.

POLARIZING POST



PART NO.	MATERIAL	COLOR
3201-3	PCT	BLACK

SHORT/LONG SOCKET RETAINER CLIP



PIN QTY.	DIM. "A"
06	N/A
08	N/A
10	.81 [20.6]
14	1.02 [25.9]
16	1.12 [28.4]
20	1.32 [33.5]
24	1.52 [38.7]
26	1.63 [41.4]
30	1.83 [46.4]
34	2.03 [51.6]
36	N/A
40	2.33 [59.2]
50	2.83 [71.9]
60	3.33 [84.6]
64	3.53 [89.7]

NOTE:
 STAINLESS STEEL WITH GRAY POLYURETHANE COATING.

3505-8XXX

CLIP HEIGHT CODE _____ PIN COUNT (SEE TABLE)
 0 = .31 [7.9] FOR SOCKETS WITHOUT STRAIN RELIEF
 1 = .53 [13.5] FOR SOCKETS WITH STRAIN RELIEF

NOTE:
 1) THE FOLLOWING RETAINER CLIPS HAVE BEEN DISCONTINUED:
 3505-8064
 3505-8124
 3505-8150

DESIGN REFERENCE	NEXT ASSEMBLY	REV	ECO	ISSUE DATE AND DESCRIPTION	DRFT	CHKD
				AUG 11, 2014		
DO NOT SCALE DRAWING	SCALE 4/1	TOLERANCES EXCEPT AS NOTED		INCHES .00 ± .01 .000 ± .005 .0000 ±		
THIRD ANGLE PROJECTION	INTERPRET PER ASME Y14.5 - 2009	MILLIMETERS		0 ± .3 .00 ± .13 .000 ±		
MAX SURFACE ROUGHNESS	1.6 SURFACES	MARKED ONLY		ANGLE ±		
DIVISION: Interconnect Solutions SCALE: 4/1 DRAWING:		DIVISION CODE: EMSD TOLERANCES EXCEPT AS NOTED		DATE: AUG 11, 2014 DATE: SEP 05, 2014 APPROV: R. SCHERER		
TITLE: HEADER, 4-WALL, LO-PRO, .100 X .100, SMT, STRAIGHT & RA		CAGE NUMBER: D78-5100-0770-7		REV. N		
MODEL: 2500 SERIES		DET:		YES X NO SHT 5 OF 5		

78-5100-0770-7
 N
 REVISION
 11:10 AM UTC-05:00
 05/2016