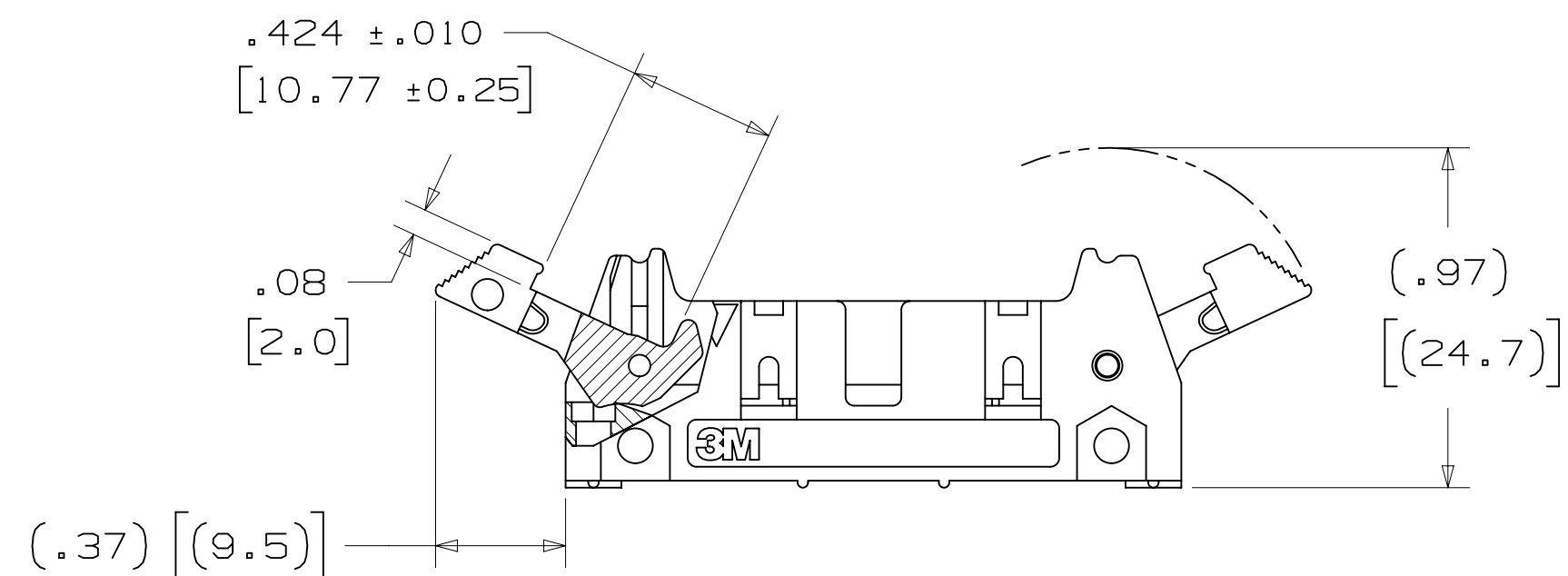


# 3M™ FOUR-WALL HEADER, 3000 SERIES

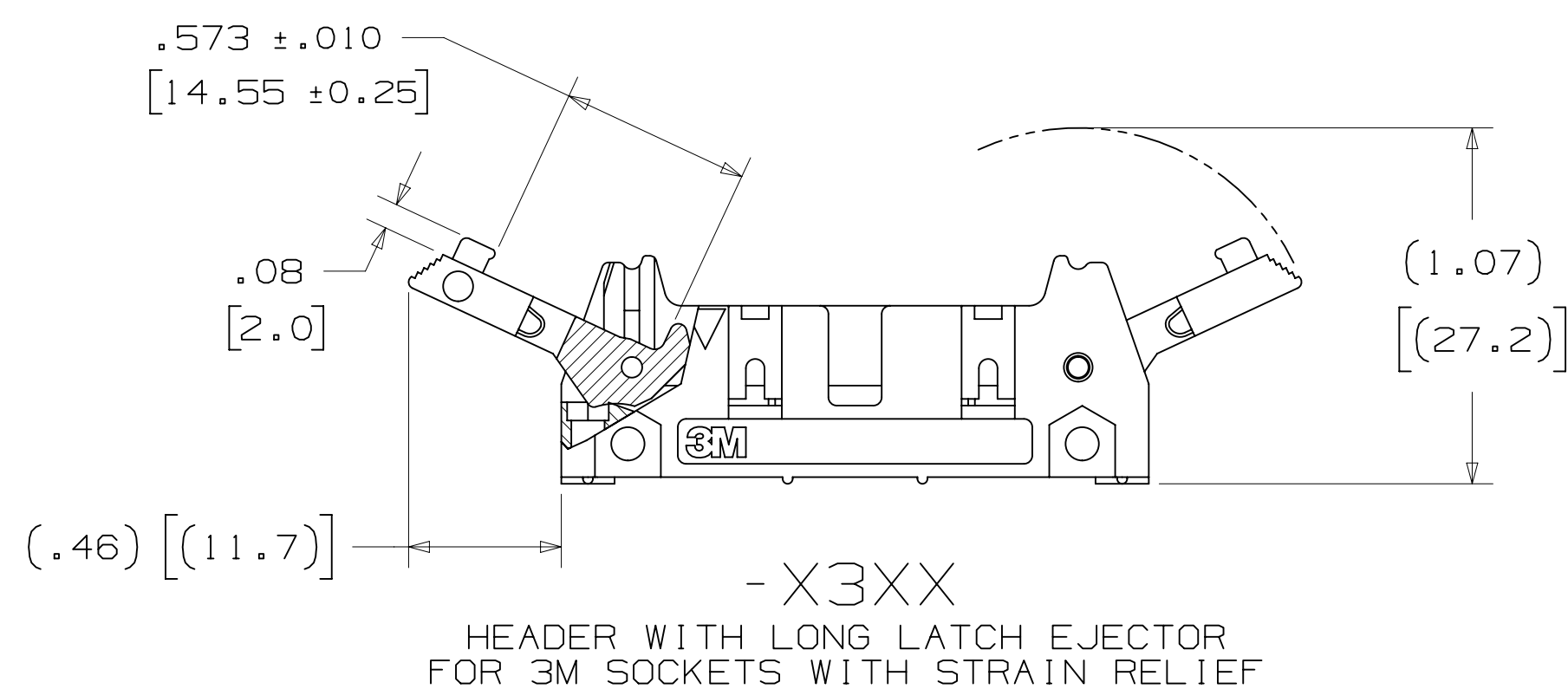
.100" X .100" LATCH/EJECTOR, STRAIGHT AND RIGHT ANGLE



-X0XX  
HEADER WITHOUT LATCH/EJECTOR



-X2XX  
HEADER WITH SHORT LATCH/EJECTOR  
FOR 3M SOCKETS WITHOUT STRAIN RELIEF



-X3XX  
HEADER WITH LONG LATCH/EJECTOR  
FOR 3M SOCKETS WITH STRAIN RELIEF

- \* MILITARY (WITH 3M'S N3518 POLARIZING KEY) AND CENTERBUMP POLARIZATION.
- \* OPTIONAL EJECTOR LATCHES.
- \* MOUNTING HOLES FOR SECURING HEADER TO BOARD.
- \* OPTIONAL POLARIZING POSTS AVAILABLE.
- \* HIGH TEMPERATURE INSULATOR SUITABLE FOR "NO LEAD" SOLDERING OPERATIONS.
- \* SUITABLE FOR REFLOW SOLDERING USING "PASTE IN HOLE" TECHNIQUES.
- \* SOLDER TAIL OPTION.

## 2 PHYSICAL :

INSULATOR: GLASS FILLED POLYESTER (PCT)  
 MATERIAL: UL94V-0  
 FLAMMABILITY: BLACK  
 COLOR: BLACK  
 CONTACT: COPPER ALLOY  
 PLATING: 100μ" [2.54μm] NICKEL-OVERALL  
 UNDER PLATING: 30μ" [0.76μm] AVG. GOLD  
 WIPING AREA: TIN LEAD OR MATTE TIN (SEE ORDERING INFORMATION)  
 MARKINGS: 3M LOGO, PART IDENTIFICATION NUMBER AND ORIENTATION TRIANGLE

## 2 ELECTRICAL :

CURRENT RATING: 5.00A, 1 CONTACT POWERED  
 3.00A, 6 CONTACTS POWERED  
 1.75A, ALL CONTACTS POWERED  
 RATING CONDITIONS: EIA-364-070 METHOD 2, 30°C MAXIMUM TEMPERATURE RISE, 20% DERATED. REFERENCE APPROPRIATE 3M PRODUCT SPECIFICATION FOR DETAILED CURRENT DERATING CURVES.  
 INSULATION RESISTANCE: >1 X 10<sup>9</sup>Ω AT 500 V<sub>DC</sub>  
 WITHSTANDING VOLTAGE: 1,000V<sub>RMS</sub> AT SEA LEVEL

## 2 ENVIRONMENTAL :

TEMPERATURE RATING: -55°C TO 105°C  
 PROCESS RATING: 260°C, PER J-STD-020C, SINGLE PASS  
 MOISTURE SENSITIVITY LEVEL: 1 (PER J-STD-020C)

- NOTES
1. REGULATORY INFORMATION: ROHS COMPLIANT. SEE THE REGULATORY INFORMATION APPENDIX (RIA) IN THE "ROHS COMPLIANCE" SECTION OF WWW.3MCONNECTORS.COM FOR COMPLIANCE INFORMATION.
  2. IN THE EVENT OF CONFLICT BETWEEN THIS DATA AND THAT CONTAINED IN THE PRODUCT SPECIFICATION, THE PRODUCT SPECIFICATION TAKES PRECEDENT.
  3. NOTCHES A & C WILL ACCOMMODATE 3M POLARIZING KEY: N3518.
  4. MOUNTING HARDWARE: FROM SOLDER SIDE OF PC BOARD USE #4-24 THREAD CUTTING SCREW (3M PART #3341-5) WITH Ø.116 [2.95] MOUNTING HOLE. FOR RIGHT ANGLE VERSION ONLY: #2-56 BOLT AND NUT (3M PART #3341-6) WITH Ø.106 [2.69] MOUNTING HOLE MAY BE USED.
  5. THE RECOMMENDED PCB HOLE SIZE FOR THE KINKED TAIL POSITIONS ON THE .112 SOLDER TAIL CONNECTOR IS Ø.035±.002. (SEE K2 VERSION).

## ORDERING INFORMATION

X3XXX - XXXXXX

N = HIGH TEMP BLACK (PCT)/(RB PLATING REQ'D)  
 BLANK = (UB PLATING)

3M PART NUMBER:  
 (SEE TABLE 1)

PIN CONFIGURATION:  
 5 = RIGHT ANGLE SOLDER TAILS  
 6 = STRAIGHT SOLDER TAILS

PLATING:

RB = 30μ" [0.76μm] GOLD AND 200μ" [5.08μm] MATTE TIN (APP. E1 & C1 APPLY)  
 UB = 30μ" [0.76μm] GOLD AND 200μ" [5.08μm] TIN LEAD (APP. E3 & C2 APPLY)

TAIL:

02 = FOR .062 [1.57] THICK BOARD  
 03 = FOR .094 TO .125 [2.39 TO 3.18] THICK BOARD  
 K2 = KINKED FOR .062 [1.57] THICK BOARD

LATCH/EJECTOR SYSTEM:

0 = NO LATCH/EJECTOR INSTALLED  
 2 = SHORT ROLL PIN LATCH/EJECTORS  
 3 = LONG ROLL PIN LATCH/EJECTORS

DIMENSIONS: INCHES [MM]  
 [MM] IS REF. ONLY

DESIGN REFERENCE	NEXT ASSEMBLY	REV	ECO	ISSUE DATE AND DESCRIPTION	DRFT	CHKD
		S	60056	MAR 06, 2015 REVISE ORDERING NUMBER	JNC	RS
		R	56068	JUL 25, 2014 REVISED AND REDRAWN	JNC	RS
APPROVED	DATE	APPROVED	DATE	APPROVED	DATE	APPROVED
CASTIGLIONE	JUL 25, 2014	R. SCHERER	SEP 05, 2014			
DIVISION		DIVISION CODE		TITLE		
Interconnect Solutions		EMSD		HEADER, 4-WALL, .100 X .100 LATCH/EJECTOR, STRAIGHT & RA		
DO NOT SCALE DRAWING	SCALE 1	TOLERANCES EXCEPT AS NOTED		CAGE NUMBER		
THIRD ANGLE PROJECTION		INCHES		DRAWING NO.		
INTERPRET PER ASME Y14.5 - 2009		MILLIMETERS		D 78-5100-0772-3		
MAX SURFACE ROUGHNESS		INCHES		REV.		
D SURFACES		MILLIMETERS		S		
MARKED ONLY		ANGLES		MODEL		
				3000 SERIES		
				SHT 1 OF 4		

3M ELECTRONIC MATERIALS SOLUTIONS DIVISION  
 INTERCONNECT SOLUTIONS  
<http://www.3mconnectors.com>

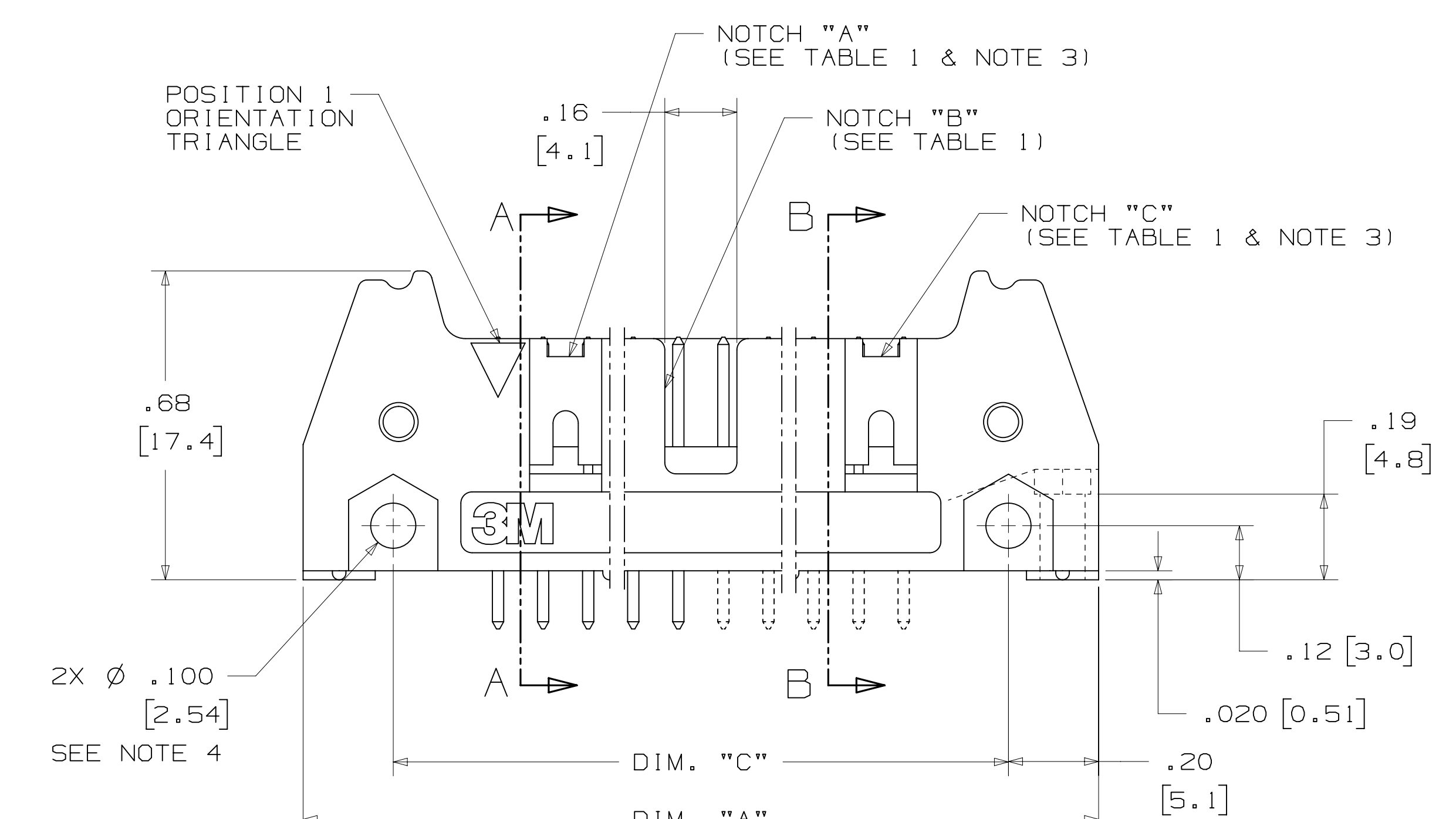
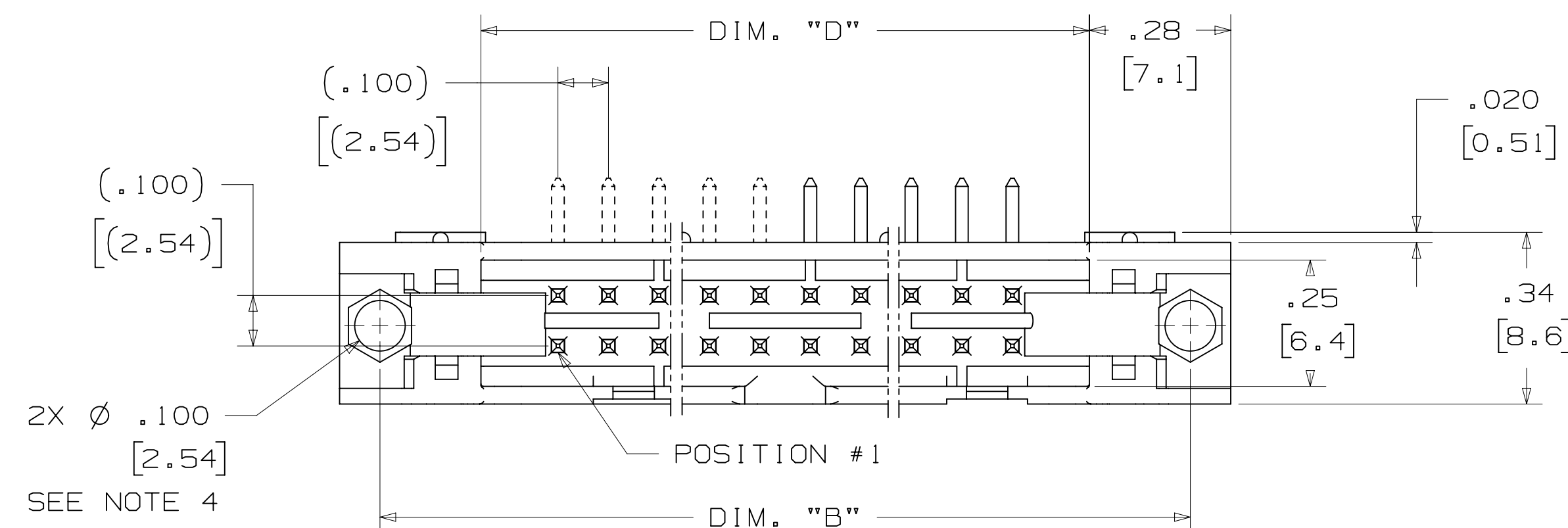
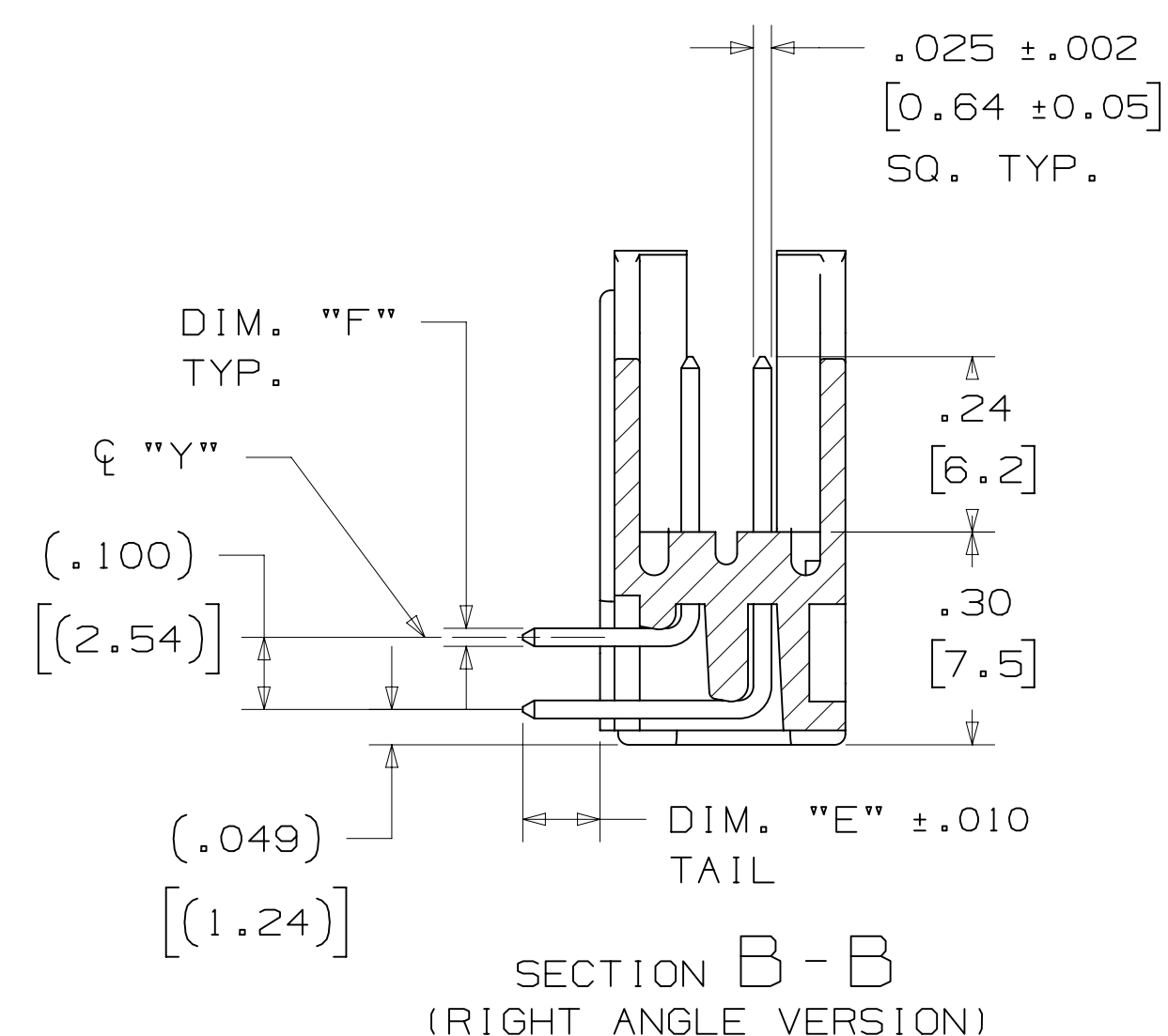
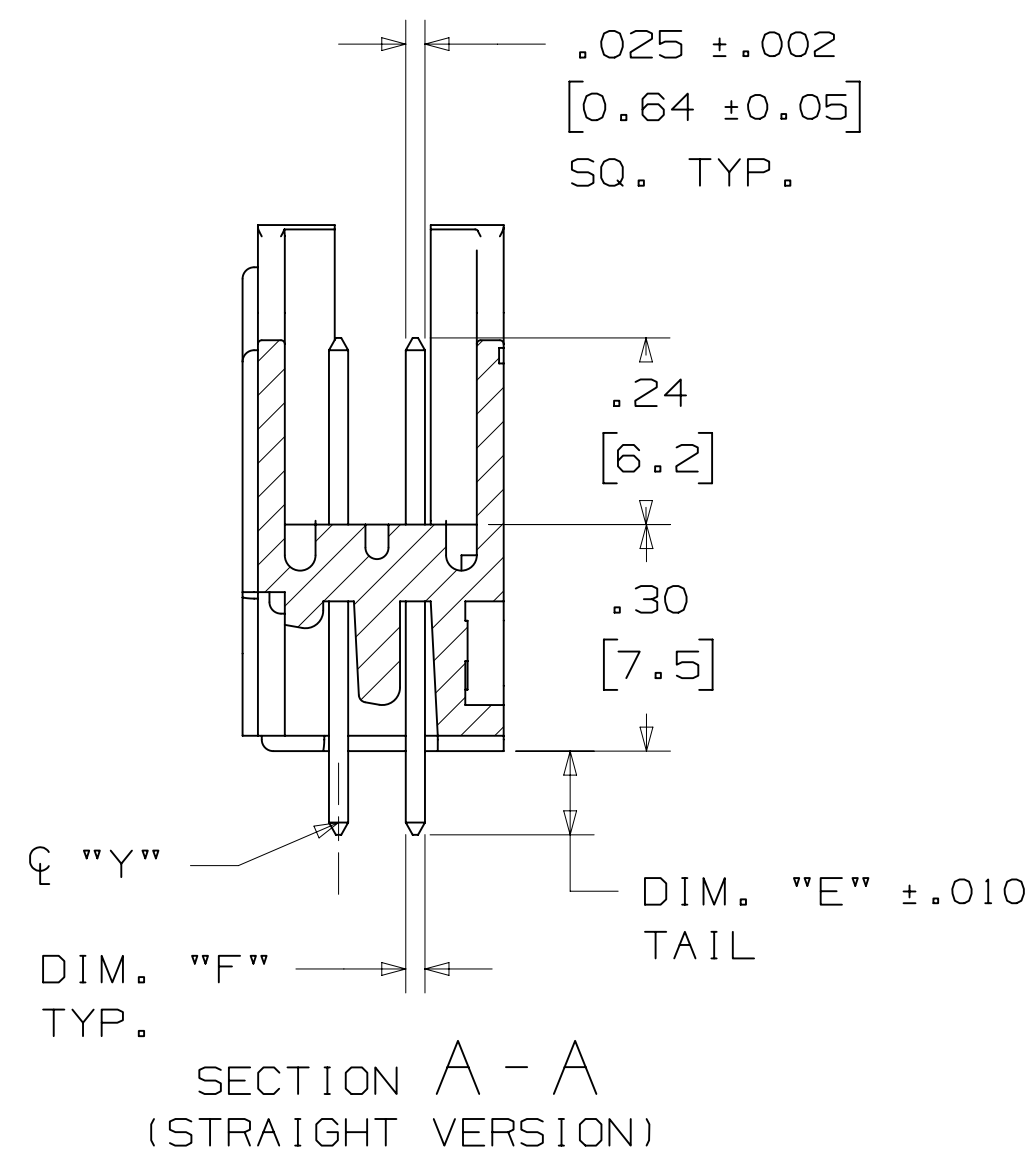
3M IS A TRADEMARK OF 3M COMPANY.  
 FOR TECHNICAL, SALES OR ORDERING  
 INFORMATION CALL 800-225-5373

**CAUS**  
 UL FILE NO: E68080

78-5100-0772-3  
 DRAWING NUMBER  
 S  
 REVISION  
 12:54 PM UTC-06:00  
 3/6/2015  
 S.1

# 3M™ FOUR-WALL HEADER, 3000 SERIES

.100" X .100" LATCH/EJECTOR, STRAIGHT AND RIGHT ANGLE



PIN QTY.	3M PART NUMBER	DIM. "A"	DIM. "B"	DIM. "C"	DIM. "D"	POLARIZING NOTCHES	PIN QTY.
06	3869	1.06 [27.0]	.905 [22.99]	.665 [16.89]	.51 [12.9]	B*	06
08	3889	1.16 [29.5]	1.005 [25.53]	.765 [19.43]	.61 [15.5]	B*	08
10	3793	1.26 [32.1]	1.105 [28.04]	.865 [21.97]	.71 [18.0]	BC	10
14	3314	1.46 [37.2]	1.305 [33.12]	1.065 [27.05]	.91 [23.1]	BC	14
16	3408	1.56 [39.7]	1.405 [35.66]	1.165 [29.59]	1.01 [25.6]	ABC	16
20	3428	1.76 [44.8]	1.604 [40.74]	1.365 [34.67]	1.21 [30.7]	ABC	20
24	3627	1.96 [49.9]	1.805 [45.82]	1.565 [39.75]	1.41 [35.8]	ABC	24
26	3429	2.06 [52.4]	1.905 [48.36]	1.665 [42.29]	1.51 [38.3]	ABC	26
30	3440	2.26 [57.5]	2.105 [53.44]	1.865 [47.37]	1.71 [43.4]	ABC	30
34	3431	2.46 [62.6]	2.305 [58.52]	2.065 [52.45]	1.91 [48.5]	ABC	34
40	3432	2.76 [70.2]	2.605 [66.14]	2.365 [60.07]	2.21 [56.1]	ABC	40
50	3433	3.26 [82.9]	3.105 [78.84]	2.865 [72.77]	2.71 [68.8]	ABC	50
60	3372	3.76 [95.6]	3.605 [91.54]	3.365 [85.47]	3.21 [81.5]	ABC	60
64	3764	3.96 [100.7]	3.805 [96.62]	3.565 [90.55]	3.41 [86.6]	ABC	64

\* AVAILABLE WITHOUT CENTER NOTCH B. CONTACT 3M

3M PART NUMBER SUFFIX	CONTACT TAIL	DIM. "E"	PIN CROSS SECTION			DIM. "G"
-5XX2 -6XX2	.062 [1.57] THICK PC BOARD	.112 [2.84]	DIM. "F" .0245+/- .0005 [ .622 ]	DIAGONALS .028+/- .001 [ .71 ]	CORNER RADIUS .0075 REF. [ .191 ]	.035+/- .003 [ .89 ] SEE NOTE 5
-5X03 -6X03	.094 [2.39] TO .125 [3.18] THICK PC BOARD	.155 [3.94]	.0245+/- .0005 [ .622 ]	.028+/- .001 [ .71 ]	.0075 REF. [ .191 ]	.035+/- .003 [ .89 ]

DESIGN REFERENCE	NEXT ASSEMBLY	REV	ECO	ISSUE DATE AND DESCRIPTION	DRFT	CHKD
DIVISION		DIVISION CODE		DATE		
Interconnect Solutions		EMSD		JUL 25, 2014		
DO NOT SCALE DRAWING	SCALE 4/1	TOLERANCES EXCEPT AS NOTED		DATE		
THIRD ANGLE PROJECTION		INCHES		SEP 05, 2014		
INTERPRET PER ASME Y14.5 - 2009		MILLIMETERS		DATE		
MAX SURFACE ROUGHNESS		0 ±		DATE		
DIM SURFACES		.00 ± .01		DATE		
MARKED ONLY		.000 ± .005		DATE		
		.000 ± .13		DATE		
		.000 ±		DATE		
		INCHES		DATE		
		MILLIMETERS		DATE		
		0 ±		DATE		
		.00 ± .01		DATE		
		.000 ± .005		DATE		
		.000 ± .13		DATE		
		.000 ±		DATE		
		INCHES		DATE		
		MILLIMETERS		DATE		
		0 ±		DATE		
		.00 ± .01		DATE		
		.000 ± .005		DATE		
		.000 ± .13		DATE		
		.000 ±		DATE		

S	60056	MAR 06, 2015	JNC	RS	
REV		ECO	ISSUE DATE AND DESCRIPTION	DRFT	CHKD
R		56068	JUL 25, 2014	JNC	RS
REV		ECO	ISSUE DATE AND DESCRIPTION	DRFT	CHKD
R		56068	JUL 25, 2014	JNC	RS
REV		ECO	ISSUE DATE AND DESCRIPTION	DRFT	CHKD
R		56068	JUL 25, 2014	JNC	RS

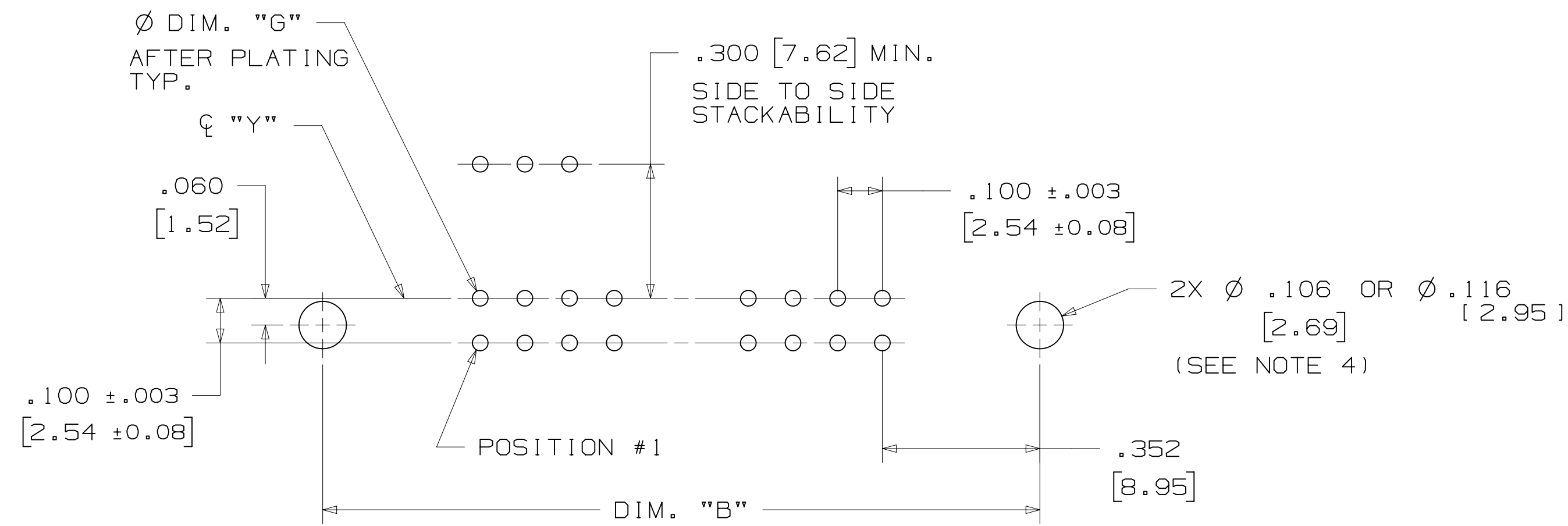
3M Center St. Paul, MN 55144  
 © 3M COPYRIGHT 2015  
 This document and the information it contains are 3M property and may not be reproduced or further distributed without 3M permission, or used or disclosed other than for 3M authorized purposes. All rights reserved.

TITLE	HEADER, 4-WALL, .100 X .100 LATCH/EJECTOR, STRAIGHT & RA
CAGE NUMBER	D78-5100-0772-3
SIZE	S
DRAWING NO.	D78-5100-0772-3
REV.	S
MODEL	3000 SERIES
DEF	IS1s
YES	NO
SHT	2 OF 4

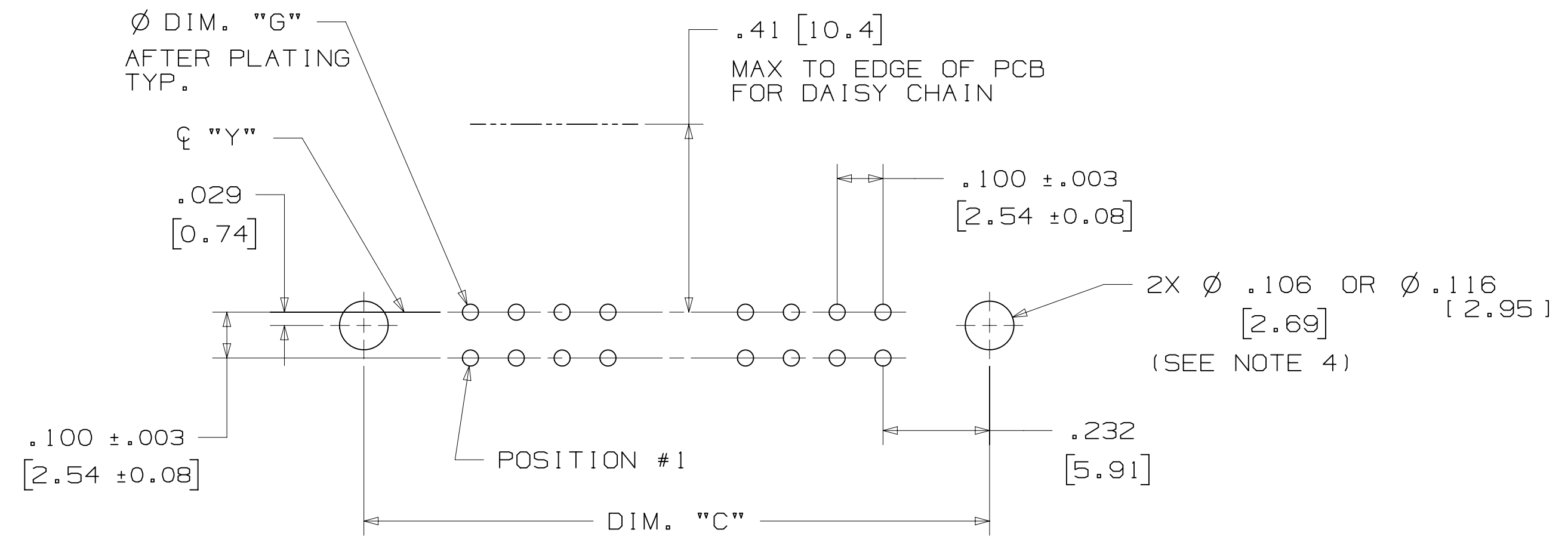
78-5100-0772-3  
 3/6/2015 12:54 PM UTC-06:00  
 REVISION  
 DRAWING NUMBER

# 3M™ FOUR-WALL HEADER, 3000 SERIES

.100" X .100" LATCH/EJECTOR, STRAIGHT AND RIGHT ANGLE



RECOMMENDED MOUNTING HOLE PATTERN  
(STRAIGHT VERSION)



RECOMMENDED MOUNTING HOLE PATTERN  
(RIGHT ANGLE VERSION)

## PART CUSTOMIZATION

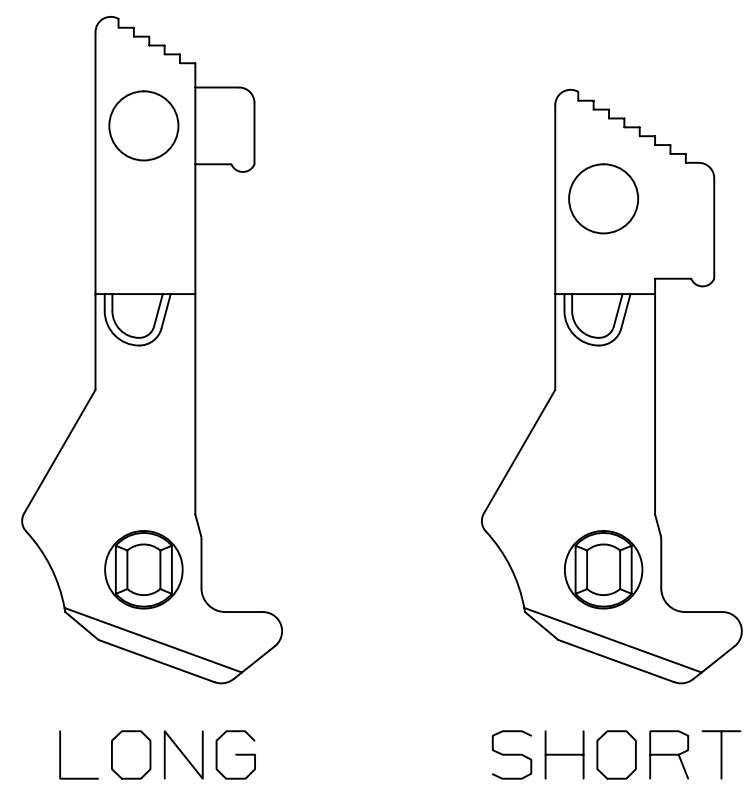
THIS SPEC SHEET DETAILS OUR STANDARD OFFERING.

3M HAS SEVERAL CAPABILITIES THAT CAN PROVIDE A PART TAILORED TO YOUR SPECIFIC NEEDS. ASK YOUR 3M SALES REPRESENTATIVE OR CUSTOMER SERVICE FOR MORE DETAILS.

BOTH SNAP-IN AND ROLL PIN LATCHES MAY BE ORDERED SEPARATELY. SNAP-IN AND ROLL PIN STYLE LATCHES ARE DIMENSIONALLY AND FUNCTIONALLY EQUIVALENT. IF ORDERING SNAP-IN OR ROLL PIN STYLE LATCHES SEPARATELY, PLEASE USE THE BELOW CHART.

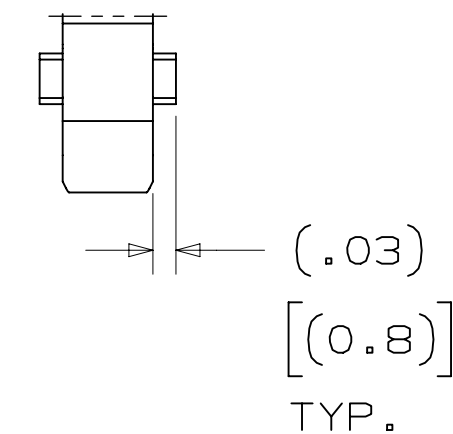
MATERIAL	SHORT LATCH	LONG LATCH	LATCH STYLE	COLOR
HIGH TEMP. (PCT)	N3505-2B	N3505-3B	ROLL PIN	BLACK
HIGH TEMP (PPA)	N3505-30B	N3505-31B	SNAP-IN	BLACK

- \* SELECTIVE PIN REMOVAL (ATA OR OTHER COMPATABILITY)
- \* WIRE WRAP TAILS STYLE

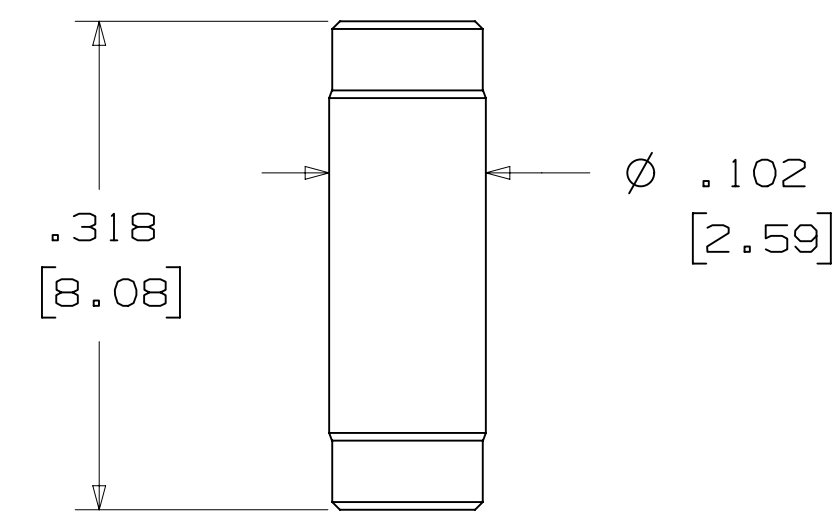


SNAP-IN LATCHES

NOTE: SNAP-IN LATCHES CAN ONLY BE ORDERED SEPARATELY AND ARE THE CUSTOMERS RESPONSIBILITY TO INSTALL.



## POLARIZING POST



3M PART NO.	MATERIAL	COLOR
3201-4	LCP	BLACK

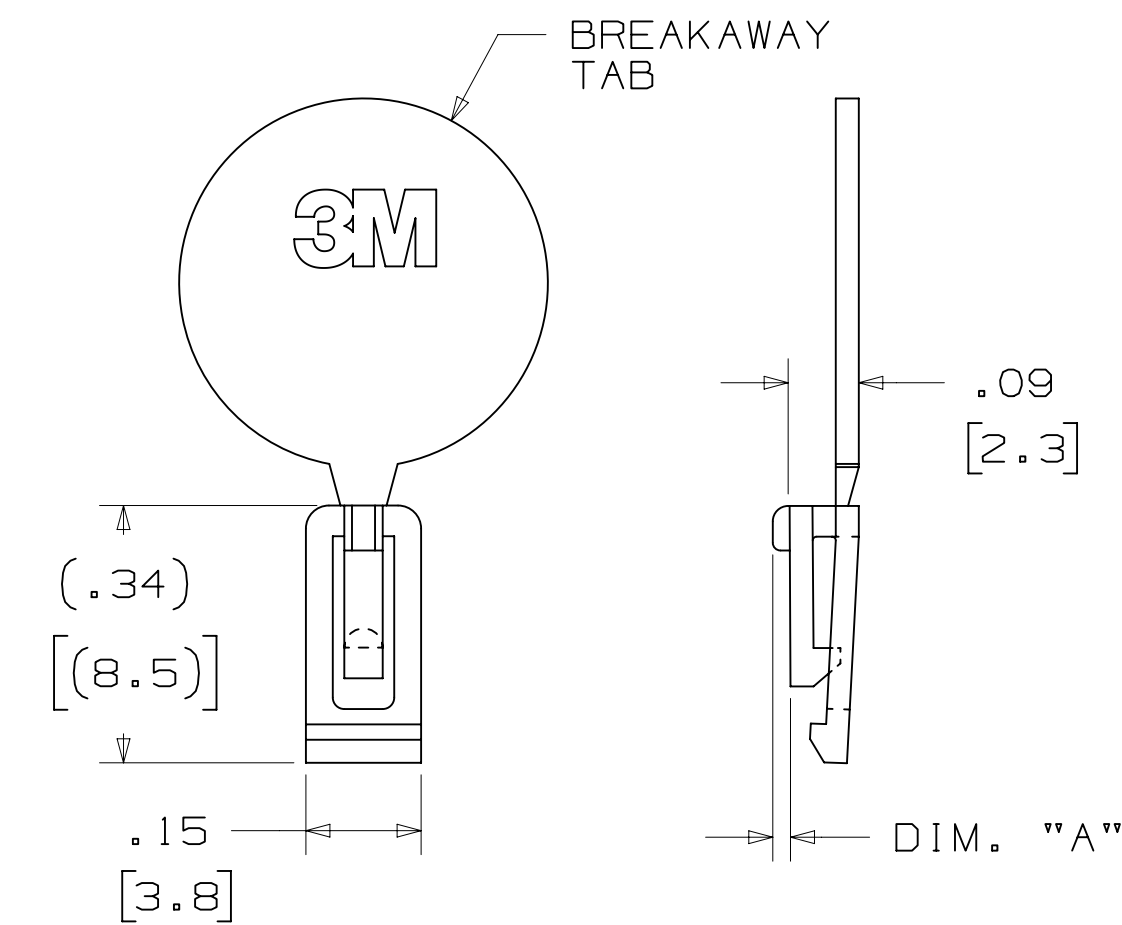
NOTE: INSERT POST INTO ONE MOUNTING HARDWARE HOLE ON BOTTOM OF HEADER. SET POST TO PROTRUDE .115 [2.92]

## K2 OPTION

2500 & 3000 SERIES SHROUDED HEADER						
TOTAL NO. OF PINS	NO. OF TAILS KINKED	POSITIONS KINKED				
10	4	3	4	7	8	
14	4	3	4	11	12	
16	4	3	4	13	14	
20	4	3	4	17	18	
24	4	3	4	21	22	
26	4	3	4	23	24	
30	4	5	6	25	26	
34	4	7	8	27	28	
36	4	7	8	27	28	
40	4	7	8	33	34	
50	4	7	8	43	44	
60	4	11	12	49	50	
64	4	11	12	53	54	

KINKED TAIL DETAIL:  
 - KINK IS LOCATED .05" BELOW BOTTOM SURFACE OF PLASTIC.  
 - EXTERNAL RADIUS OF KINK TOWARD PART CENTERLINE.

## POLARIZING KEYS



3M PART NO.	MATERIAL	COLOR	DIM. "A"
N3518	LCP	BLACK	.02

NOTE: #2216 B/A SCOTCHWELD CAN BE USED TO ADHERE KEYS.

S	60056	MAR 06, 2015	JNC	RS
		REVISE ORDERING NUMBER		

R	56068	JUL 25, 2014	JNC	RS
		REVISED AND REDRAWN		

REV	ECO	ISSUE DATE AND DESCRIPTION	DRFT	CHKD
		JUL 25, 2014		
		MFG		
		DATE		
		DATE		
		DATE		
		DATE		

DESIGN REFERENCE	NEXT ASSEMBLY	DIVISION CODE	EMSD
DO NOT SCALE DRAWING	SCALE 4-1	TOLERANCES EXCEPT AS NOTED	
THIRD ANGLE PROJECTION		INCHES: .00 ± .01, .000 ± .005, .0000 ±	
INTERPRET PER ASME Y14.5 - 2009		MILLIMETERS: 0 ±, .0 ± .3, .00 ± .13	
MAX SURFACE ROUGHNESS			
MARKED ONLY			

**3M** Center St. Paul, MN 55144  
 © 3M COPYRIGT 2015  
 This document and the information it contains are 3M property and may not be reproduced or further distributed without 3M permission, or used or disclosed other than for 3M authorized purposes. All rights reserved.

**HEADER, 4-WALL, .100 X .100 LATCH/EJECTOR, STRAIGHT & RA**

CAGE NUMBER: **D** 78-5100-0772-3 S  
 MODEL: 3000 SERIES  
 DET: [ ] YES [X] NO SHT 3 OF 4

78-5100-0772-3

Imaged: S.1 3/6/2015 12:54 PM UTC-06:00

3M™ FOUR-WALL HEADER, 3000 SERIES  
 .100" X .100" LATCH/EJECTOR, STRAIGHT AND RIGHT ANGLE

MOUNTING HARDWARE



**3341-5**  
 (INSTALL FROM BOTTOM OF BOARD)  
 PANHEAD THREAD CUTTING SCREW:  
 #4-24 X 5/16"  
 TYPE: USA STD BT, FEDERAL BG  
 MATERIAL: STAINLESS STEEL



**3341-6**  
 HEX HEAD BOLT, NUT AND WASHER:  
 BOLT - #2-56 X 1/2"  
 MATERIAL: STAINLESS STEEL



**3341-6**  
 #2-56 NUT AND BOLT  
 TORQUE FOR EACH BOLT: 1.25 - 3.125 INCH LBS.



#4-24 TYPE BT SELF THREADING SCREW  
 WHEN USING LATCHES, MAXIMUM LENGTH  
 OF SCREW IS .250 INCHES PLUS  
 THICKNESS OF THE BOARD.  
 TORQUE FOR EACH SCREW IS 3-5 INCH LBS.



**3341-5**

DESIGN REFERENCE	NEXT ASSEMBLY	REV	ECO	ISSUE DATE AND DESCRIPTION	DRFT	CHKD
DATE	DATE	DATE	DATE	DATE	DATE	DATE
DIVISION	DIVISION CODE	© 3M COPYRIGHT 2015 This document and the information it contains are 3M property and may not be reproduced or further distributed without 3M permission, or used or disclosed other than for 3M authorized purposes. All rights reserved.				
Interconnect Solutions	EMSD	3M Center St. Paul, MN 55144				
DO NOT SCALE DRAWING	SCALE 4/1	TOLERANCES EXCEPT AS NOTED INCHES .00 ± .01 .000 ± .005 .0000 ±				
THIRD ANGLE PROJECTION	INTERPRET PER ASME Y14.5 - 2009	MILLIMETERS 0 ± .0 ± .3 .00 ± .13 .000 ±				
MAX SURFACE ROUGHNESS	MARKED ONLY	CAGE NUMBER MODEL 3000 SERIES				
		TITLE HEADER, 4-WALL, .100 X .100 LATCH/EJECTOR, STRAIGHT & RA				
		CAGE NUMBER DRAWING NO. DET. 78-5100-0772-3 S				
		REV. SHT 4 OF 4				

78-5100-0772-3  
 DRAWING NUMBER  
 S  
 REVISION  
 3/6/2015 12:54 PM UTC-06:00  
 Imaged: S.1