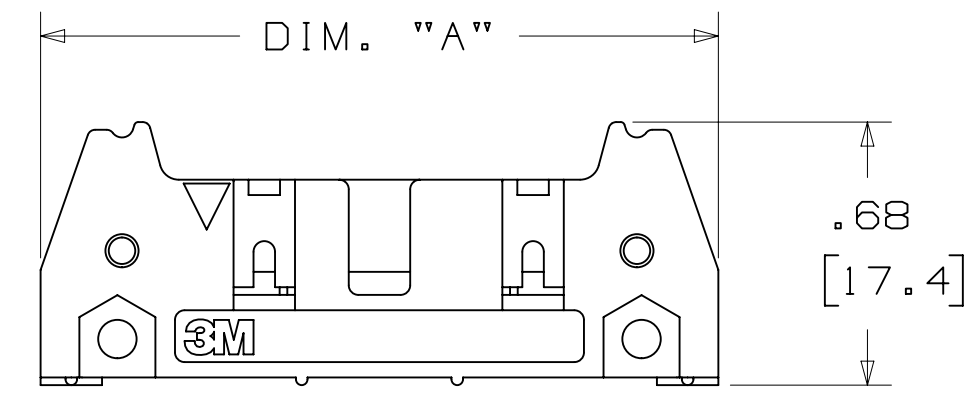
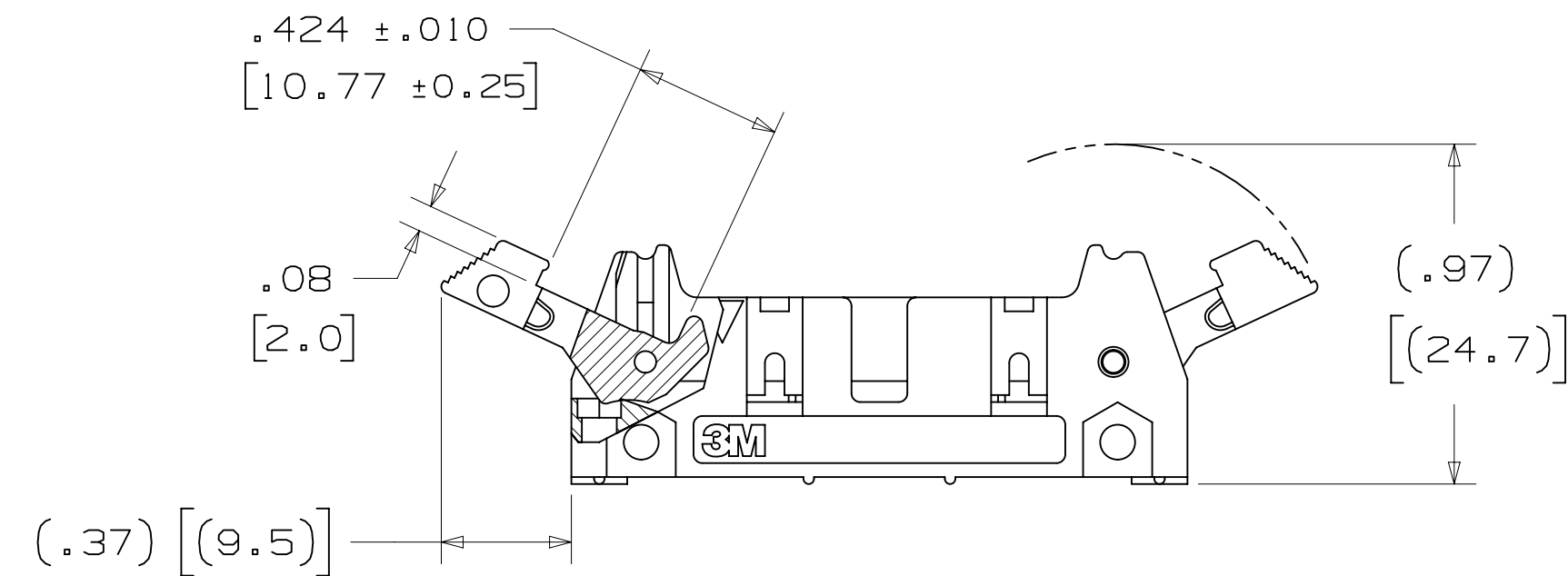


3M™ FOUR-WALL HEADER, 3000 SERIES

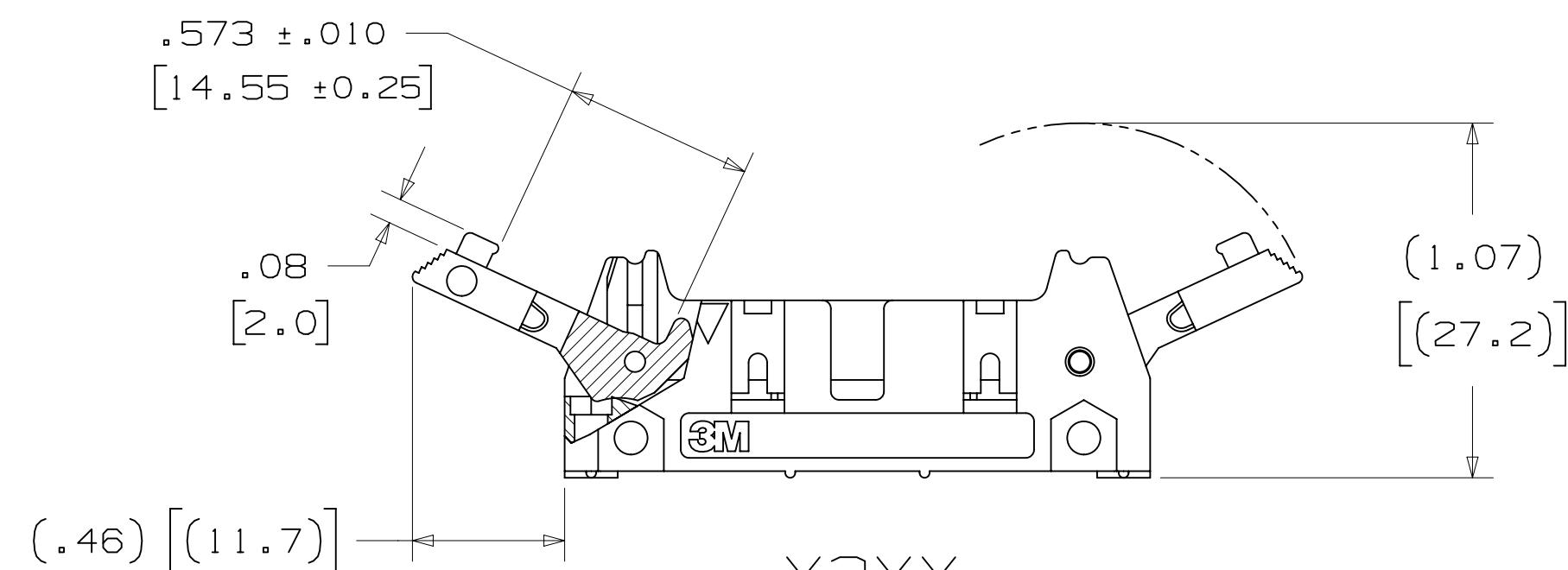
.100" X .100" LATCH/EJECTOR, STRAIGHT AND RIGHT ANGLE



-X0XX
HEADER WITHOUT LATCH/EJECTOR



-X2XX
HEADER WITH SHORT LATCH/EJECTOR
FOR 3M SOCKETS WITHOUT STRAIN RELIEF



-X3XX
HEADER WITH LONG LATCH/EJECTOR
FOR 3M SOCKETS WITH STRAIN RELIEF

- * MILITARY (WITH 3M'S N3518 POLARIZING KEY) AND CENTERBUMP POLARIZATION.
- * OPTIONAL EJECTOR LATCHES.
- * MOUNTING HOLES FOR SECURING HEADER TO BOARD.
- * OPTIONAL POLARIZING POSTS AVAILABLE.
- * HIGH TEMPERATURE INSULATOR SUITABLE FOR "NO LEAD" SOLDERING OPERATIONS.
- * SUITABLE FOR REFLOW SOLDERING USING "PASTE IN HOLE" TECHNIQUES.
- * SOLDER TAIL OPTION.

2 PHYSICAL :

INSULATOR: GLASS FILLED POLYESTER (PCT)
 MATERIAL: UL94V-0
 FLAMMABILITY: UL94V-0
 COLOR: BLACK
 CONTACT: COPPER ALLOY
 PLATING: 100μ" [2.54μm] NICKEL-OVERALL
 UNDER PLATING: 30μ" [0.76μm] AVG. GOLD
 WIPING AREA: TIN LEAD OR MATTE TIN (SEE ORDERING INFORMATION)
 MARKINGS: 3M LOGO, PART IDENTIFICATION NUMBER AND ORIENTATION TRIANGLE

2 ELECTRICAL :

CURRENT RATING: 5.00A, 1 CONTACT POWERED
 3.00A, 6 CONTACTS POWERED
 1.75A, ALL CONTACTS POWERED
 RATING CONDITIONS: EIA-364-070 METHOD 2, 30°C MAXIMUM TEMPERATURE RISE, 20% DERATED. REFERENCE APPROPRIATE 3M PRODUCT SPECIFICATION FOR DETAILED CURRENT DERATING CURVES.

INSULATION RESISTANCE: >1 X 10⁹Ω AT 500 V_{DC}
 WITHSTANDING VOLTAGE: 1,000V_{RMS} AT SEA LEVEL

2 ENVIRONMENTAL :

TEMPERATURE RATING: -55°C TO 105°C
 PROCESS RATING: 260°C, PER J-STD-020C, SINGLE PASS
 MOISTURE SENSITIVITY LEVEL: 1 (PER J-STD-020C)

1. REGULATORY INFORMATION: ROHS COMPLIANT. SEE THE REGULATORY INFORMATION APPENDIX (RIA) IN THE "ROHS COMPLIANCE" SECTION OF WWW.3MCONNECTORS.COM FOR COMPLIANCE INFORMATION.
2. IN THE EVENT OF CONFLICT BETWEEN THIS DATA AND THAT CONTAINED IN THE PRODUCT SPECIFICATION, THE PRODUCT SPECIFICATION TAKES PRECEDENT.
3. NOTCHES A & C WILL ACCOMMODATE 3M POLARIZING KEY: N3518.
4. MOUNTING HARDWARE: FROM SOLDER SIDE OF PC BOARD USE #4-24 THREAD CUTTING SCREW (3M PART #3341-5) WITH Ø.116 [2.95] MOUNTING HOLE. FOR RIGHT ANGLE VERSION ONLY: #2-56 BOLT AND NUT (3M PART #3341-6) WITH Ø.106 [2.69] MOUNTING HOLE MAY BE USED.
5. THE RECOMMENDED PCB HOLE SIZE FOR THE KINKED TAIL POSITIONS ON THE .112 SOLDER TAIL CONNECTOR IS Ø.035±.002. (SEE K2 VERSION).

ORDERING INFORMATION

X3XXX - XXXXXX

N = HIGH TEMP BLACK (PCT)/(RB PLATING REQ'D)
 BLANK = (UB PLATING)

3M PART NUMBER:
 (SEE TABLE 1)

PIN CONFIGURATION:
 5 = RIGHT ANGLE SOLDER TAILS
 6 = STRAIGHT SOLDER TAILS

PLATING:

RB = 30μ" [0.76μm] GOLD AND 200μ" [5.08μm] MATTE TIN (APP. E1 & C1 APPLY)
 UB = 30μ" [0.76μm] GOLD AND 200μ" [5.08μm] TIN LEAD (APP. E3 & C2 APPLY)

TAIL:

O2 = FOR .062 [1.57] THICK BOARD
 O3 = FOR .094 TO .125 [2.39 TO 3.18] THICK BOARD
 K2 = KINKED FOR .062 [1.57] THICK BOARD

LATCH/EJECTOR SYSTEM:

0 = NO LATCH/EJECTOR INSTALLED
 2 = SHORT ROLL PIN LATCH/EJECTORS
 3 = LONG ROLL PIN LATCH/EJECTORS

DIMENSIONS: INCHES [MM]
 [MM] IS REF. ONLY

3M ELECTRONIC MATERIALS SOLUTIONS DIVISION
 INTERCONNECT SOLUTIONS
<http://www.3mconnectors.com>

3M IS A TRADEMARK OF 3M COMPANY.
 FOR TECHNICAL, SALES OR ORDERING
 INFORMATION CALL 800-225-5373

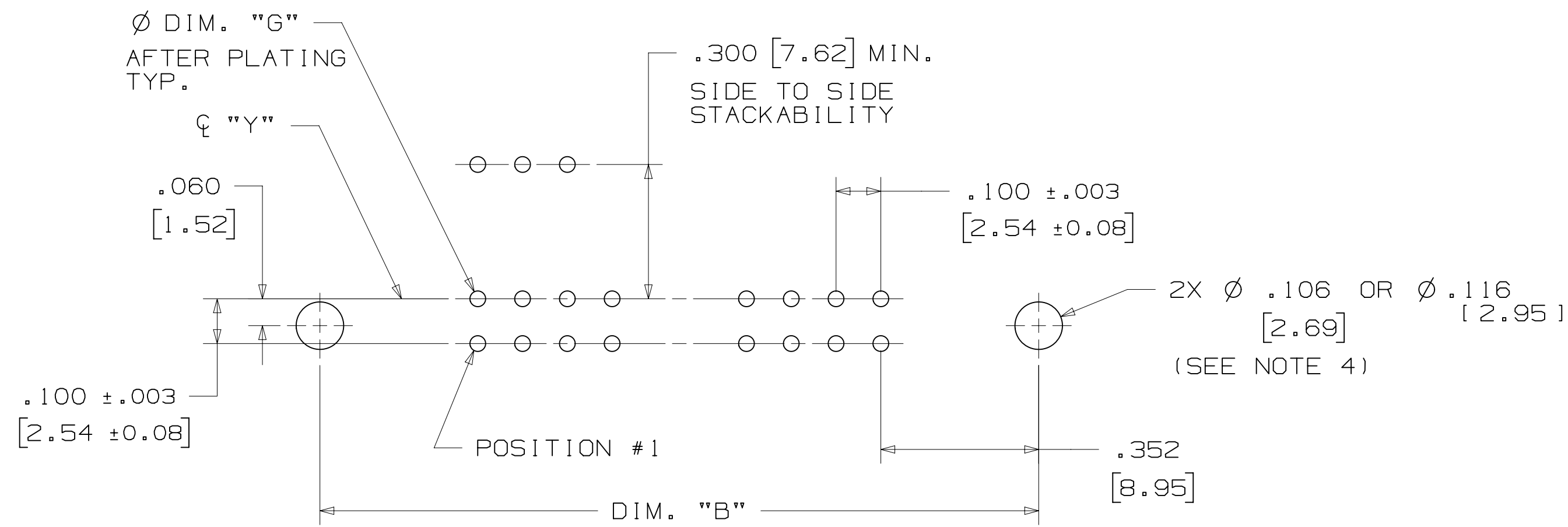
3M
 UL FILE NO: E68080

DESIGN REFERENCE	NEXT ASSEMBLY	REV	ECO	ISSUE DATE AND DESCRIPTION	DRFT	CHKD
		S	60056	MAR 06, 2015 REVISE ORDERING NUMBER	JNC	RS
		R	56068	JUL 25, 2014 REVISED AND REDRAWN	JNC	RS
APPROVED	DATE	DATE	DATE	DATE	DATE	DATE
CASTIGLIONE	JUL 25, 2014	MFG				
		R. SCHERER				SEP 05, 2014
DIVISION		DIVISION CODE		EMSD		
Interconnect Solutions						
DO NOT SCALE DRAWING	SCALE 1	TOLERANCES EXCEPT AS NOTED		INCHES		
				.00 ± .01		
				.000 ± .005		
				.0000 ±		
THIRD ANGLE PROJECTION		MILLIMETERS		0 ± .3		
INTERPRET PER ASME Y14.5 - 2009				.00 ± .13		
MAX SURFACE ROUGHNESS		SURFACES		.000 ±		
MARKED ONLY		ANGLES				
		MODEL		3000 SERIES		
		CAGE NUMBER		D 78-5100-0772-3		
		SIZE		S		
		DRAWING NO.		78-5100-0772-3		
		REV.		S		
		SHEET		1 OF 4		

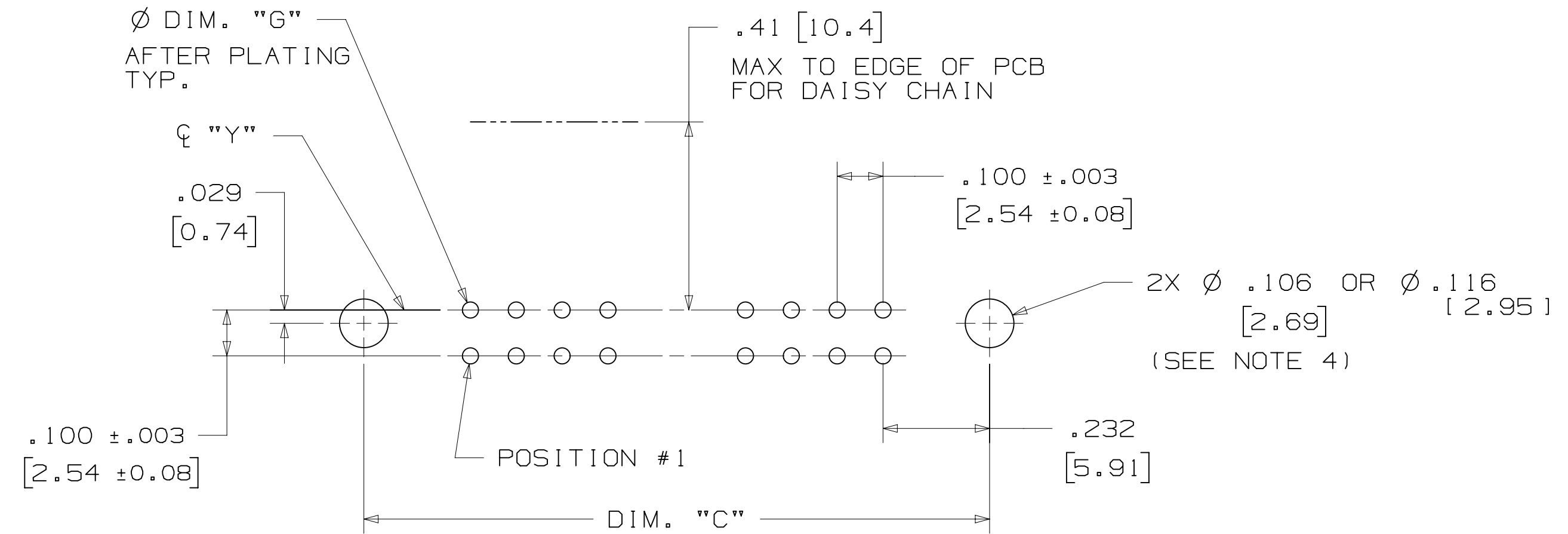
78-5100-0772-3
 DRAWING NUMBER
 S
 REVISION
 12:54 PM UTC-06:00
 3/6/2015
 S.1

3M™ FOUR-WALL HEADER, 3000 SERIES

.100" X .100" LATCH/EJECTOR, STRAIGHT AND RIGHT ANGLE



RECOMMENDED MOUNTING HOLE PATTERN
(STRAIGHT VERSION)



RECOMMENDED MOUNTING HOLE PATTERN
(RIGHT ANGLE VERSION)

PART CUSTOMIZATION

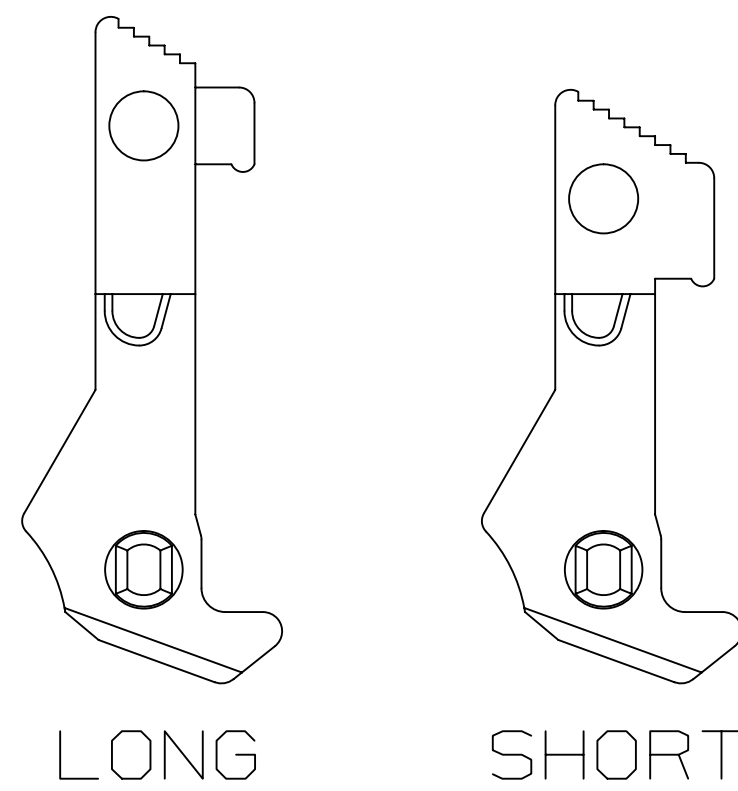
THIS SPEC SHEET DETAILS OUR STANDARD OFFERING.

3M HAS SEVERAL CAPABILITIES THAT CAN PROVIDE A PART TAILORED TO YOUR SPECIFIC NEEDS. ASK YOUR 3M SALES REPRESENTATIVE OR CUSTOMER SERVICE FOR MORE DETAILS.

BOTH SNAP-IN AND ROLL PIN LATCHES MAY BE ORDERED SEPARATELY. SNAP-IN AND ROLL PIN STYLE LATCHES ARE DIMENSIONALLY AND FUNCTIONALLY EQUIVALENT. IF ORDERING SNAP-IN OR ROLL PIN STYLE LATCHES SEPARATELY, PLEASE USE THE BELOW CHART.

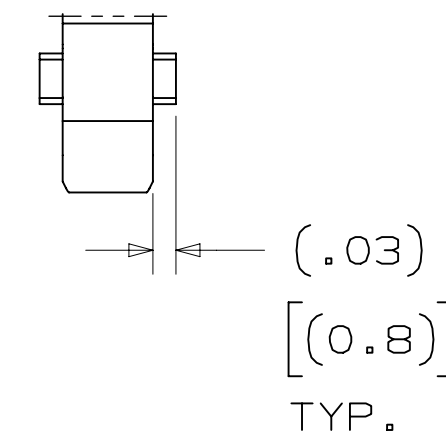
MATERIAL	SHORT LATCH	LONG LATCH	LATCH STYLE	COLOR
HIGH TEMP. (PCT)	N3505-2B	N3505-3B	ROLL PIN	BLACK
HIGH TEMP. (PPA)	N3505-30B	N3505-31B	SNAP-IN	BLACK

- * SELECTIVE PIN REMOVAL (ATA OR OTHER COMPATABILITY)
- * WIRE WRAP TAILS STYLE

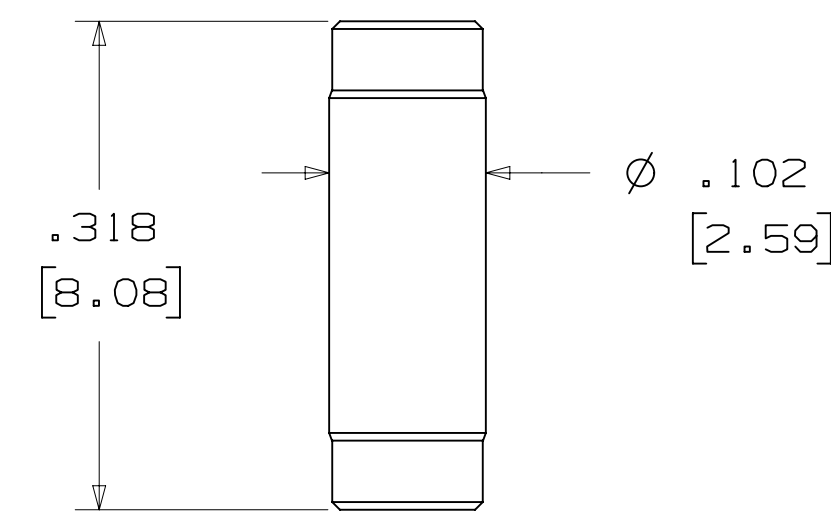


LONG SHORT

NOTE:
SNAP-IN LATCHES CAN ONLY BE ORDERED SEPARATELY AND ARE THE CUSTOMERS RESPONSIBILITY TO INSTALL.



POLARIZING POST



3M PART NO.	MATERIAL	COLOR
3201-4	LCP	BLACK

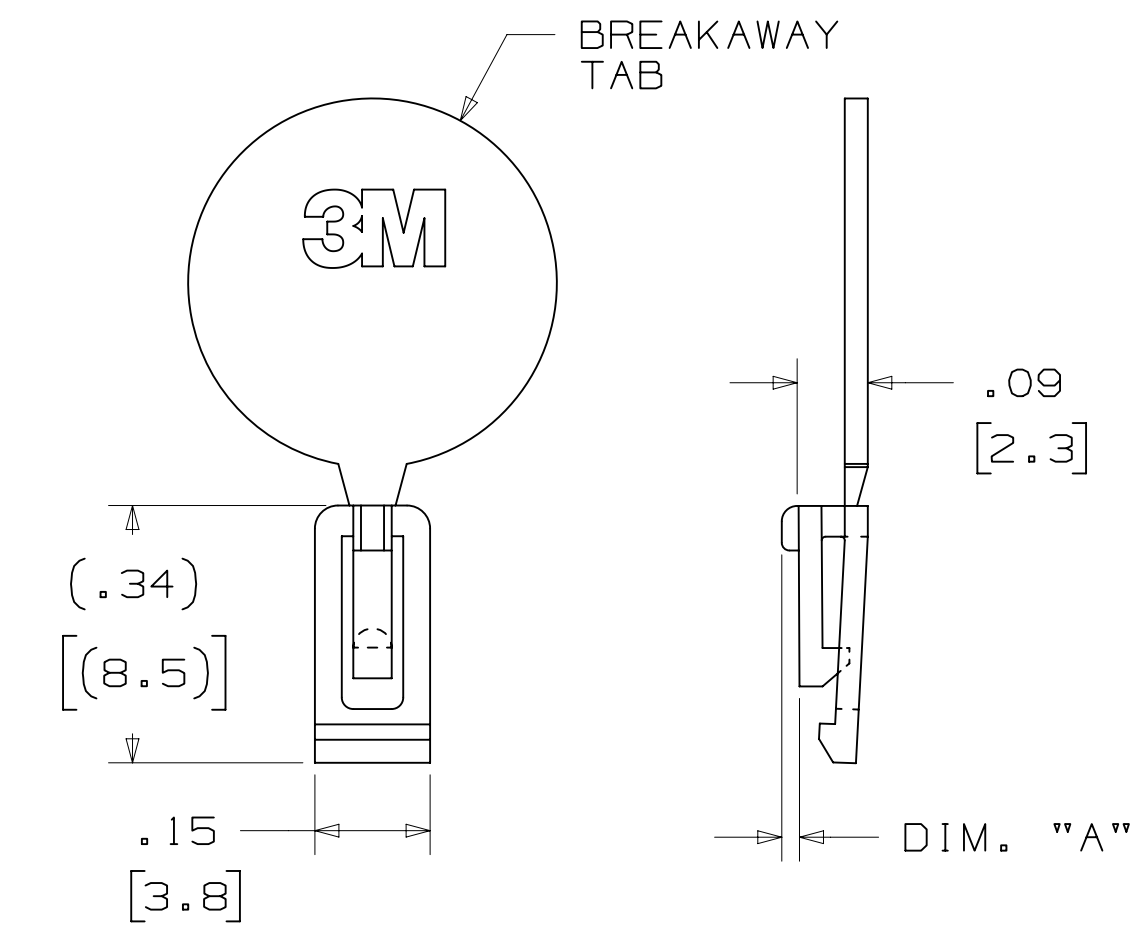
NOTE:
INSERT POST INTO ONE MOUNTING HARDWARE HOLE ON BOTTOM OF HEADER. SET POST TO PROTRUDE .115 [2.92]

K2 OPTION

2500 & 3000 SERIES SHROUDED HEADER						
TOTAL NO. OF PINS	NO. OF TAILS KINKED	POSITIONS KINKED				
10	4	3	4	7	8	
14	4	3	4	11	12	
16	4	3	4	13	14	
20	4	3	4	17	18	
24	4	3	4	21	22	
26	4	3	4	23	24	
30	4	5	6	25	26	
34	4	7	8	27	28	
36	4	7	8	27	28	
40	4	7	8	33	34	
50	4	7	8	43	44	
60	4	11	12	49	50	
64	4	11	12	53	54	

KINKED TAIL DETAIL:
- KINK IS LOCATED .05" BELOW BOTTOM SURFACE OF PLASTIC.
- EXTERNAL RADIUS OF KINK TOWARD PART CENTERLINE.

POLARIZING KEYS



3M PART NO.	MATERIAL	COLOR	DIM. "A"
N3518	LCP	BLACK	.02

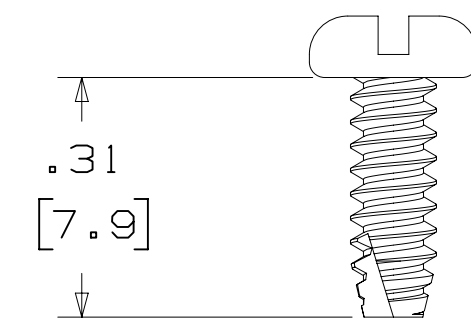
NOTE:
#2216 B/A SCOTCHWELD CAN BE USED TO ADHERE KEYS.

S	60056	MAR 06, 2015	JNC	RS
		REVISE ORDERING NUMBER		
R	56068	JUL 25, 2014	JNC	RS
		REVISED AND REDRAWN		
REV	ECO	ISSUE DATE AND DESCRIPTION	DRFT	CHKD
CHKD	CASTIGLIONE	DATE	DATE	DATE
		JUL 25, 2014		
		APPV	DATE	
		R. SCHERER	SEP 05, 2014	
DIVISION		DIVISION CODE		
Interconnect Solutions		EMSD		
DO NOT SCALE DRAWING	SCALE 4-1	TOLERANCES EXCEPT AS NOTED		
THIRD ANGLE PROJECTION		INCHES		
INTERPRET PER ASME Y14.5 - 2009		MILLIMETERS		
MAX SURFACE ROUGHNESS		.00 ± .01		
SURFACES		.000 ± .005		
MARKED ONLY		.0000 ±		
		.0 ± .3		
		.00 ± .13		
		.000 ±		
		ANGLES		
© 3M COPYR [GHT] 2015				
This document and the information it contains are 3M property and may not be reproduced or further distributed without 3M permission, or used or disclosed other than for 3M authorized purposes. All rights reserved.				
TITLE		HEADER, 4-WALL, .100 X .100 LATCH/EJECTOR, STRAIGHT & RA		
CAGE NUMBER	SIZE	DRAWING NO.	REV.	
D		78-5100-0772-3	S	
MODEL	3000 SERIES	DET	YES	NO
		SHT	3 OF 4	

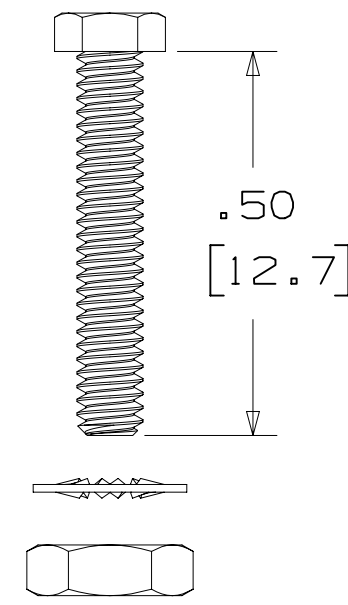
178-5100-0772-3
 REV. 1
 3/6/2015 12:54 PM UTC-06:00

3M™ FOUR-WALL HEADER, 3000 SERIES
 .100" X .100" LATCH/EJECTOR, STRAIGHT AND RIGHT ANGLE

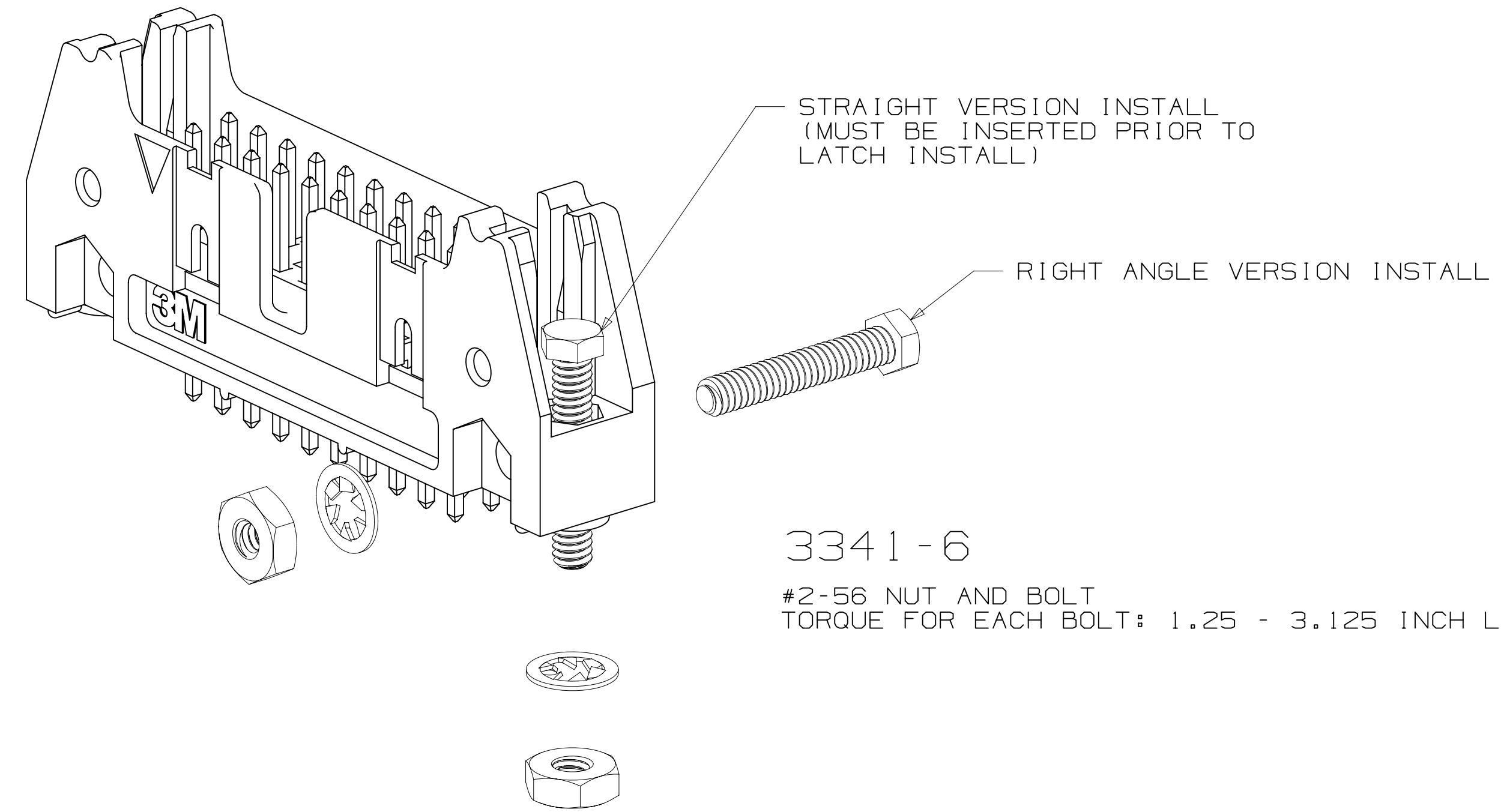
MOUNTING HARDWARE



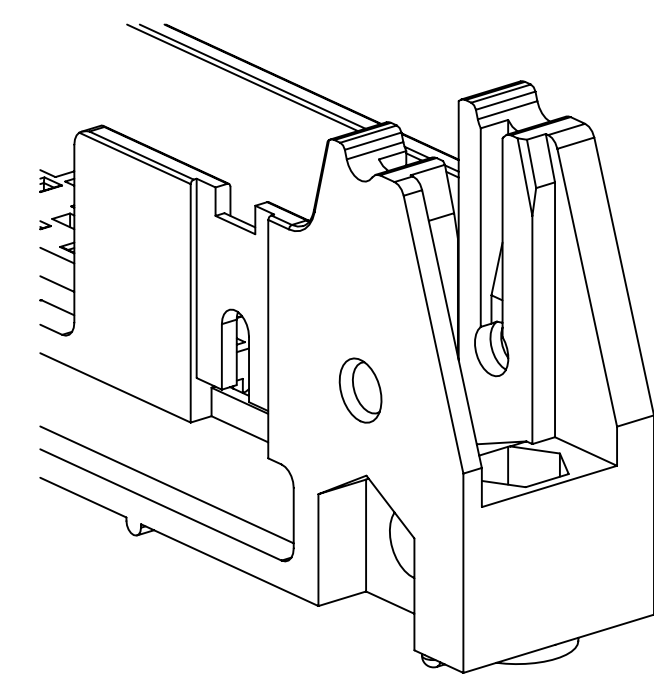
3341-5
 (INSTALL FROM BOTTOM OF BOARD)
 PANHEAD THREAD CUTTING SCREW:
 #4-24 X 5/16"
 TYPE: USA STD BT, FEDERAL BG
 MATERIAL: STAINLESS STEEL



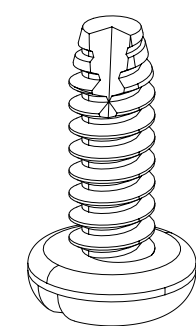
3341-6
 HEX HEAD BOLT, NUT AND WASHER:
 BOLT - #2-56 X 1/2"
 MATERIAL: STAINLESS STEEL



3341-6
 #2-56 NUT AND BOLT
 TORQUE FOR EACH BOLT: 1.25 - 3.125 INCH LBS.



#4-24 TYPE BT SELF THREADING SCREW
 WHEN USING LATCHES, MAXIMUM LENGTH
 OF SCREW IS .250 INCHES PLUS
 THICKNESS OF THE BOARD.
 TORQUE FOR EACH SCREW IS 3-5 INCH LBS.



3341-5

DESIGN REFERENCE	NEXT ASSEMBLY	REV	ECO	ISSUE DATE AND DESCRIPTION	DRFT	CHKD
DATE	DATE	DATE	DATE	DATE	DATE	DATE
DIVISION	DIVISION CODE	© 3M COPYRIGHT 2015 This document and the information it contains are 3M property and may not be reproduced or further distributed without 3M permission, or used or disclosed other than for 3M authorized purposes. All rights reserved.				
Interconnect Solutions	EMSD	3M Center St. Paul, MN 55144				
DO NOT SCALE DRAWING	SCALE 4/1	TOLERANCES EXCEPT AS NOTED INCHES .00 ± .01 .000 ± .005 .0000 ±				
THIRD ANGLE PROJECTION	INTERPRET PER ASME Y14.5 - 2009	MILLIMETERS 0 ± .0 ± .3 .00 ± .13 .000 ±				
MAX SURFACE ROUGHNESS	MARKED ONLY	CAGE NUMBER MODEL 3000 SERIES TITLE HEADER, 4-WALL, .100 X .100 LATCH/EJECTOR, STRAIGHT & RA DRAWING NO. D78-5100-0772-3 REV. S SHT 4 OF 4				

78-5100-0772-3
 DRAWING NUMBER
 S
 REVISION
 3/6/2015 12:54 PM UTC-06:00
 Imaged: S.1