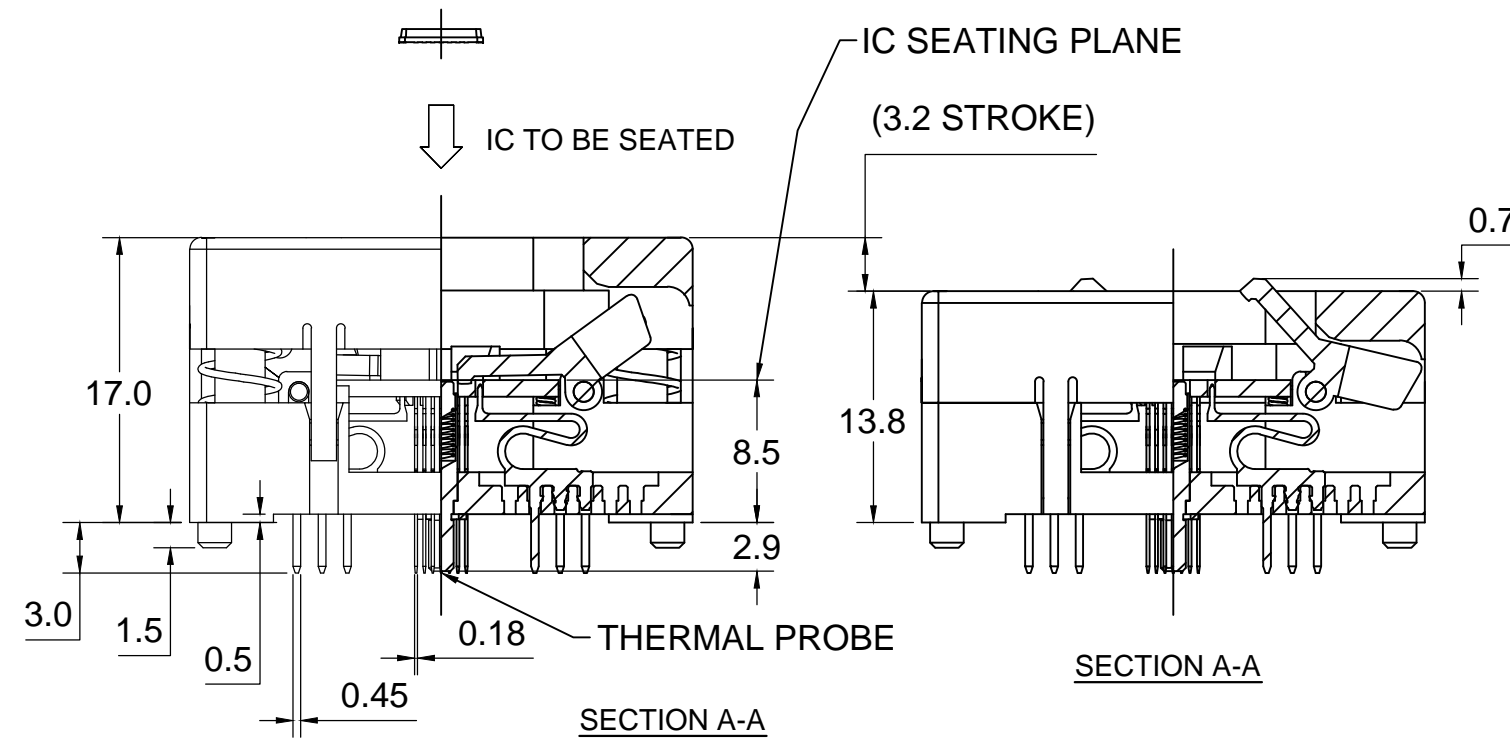
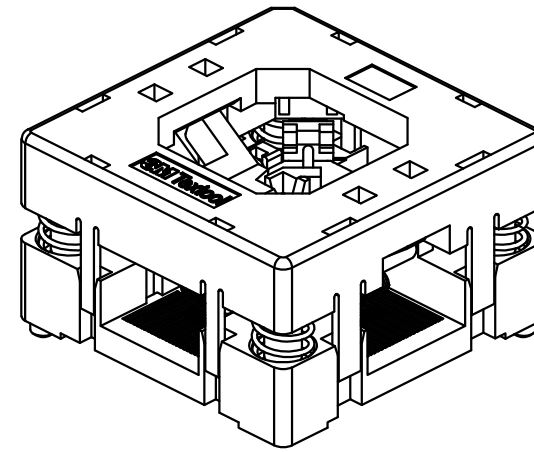
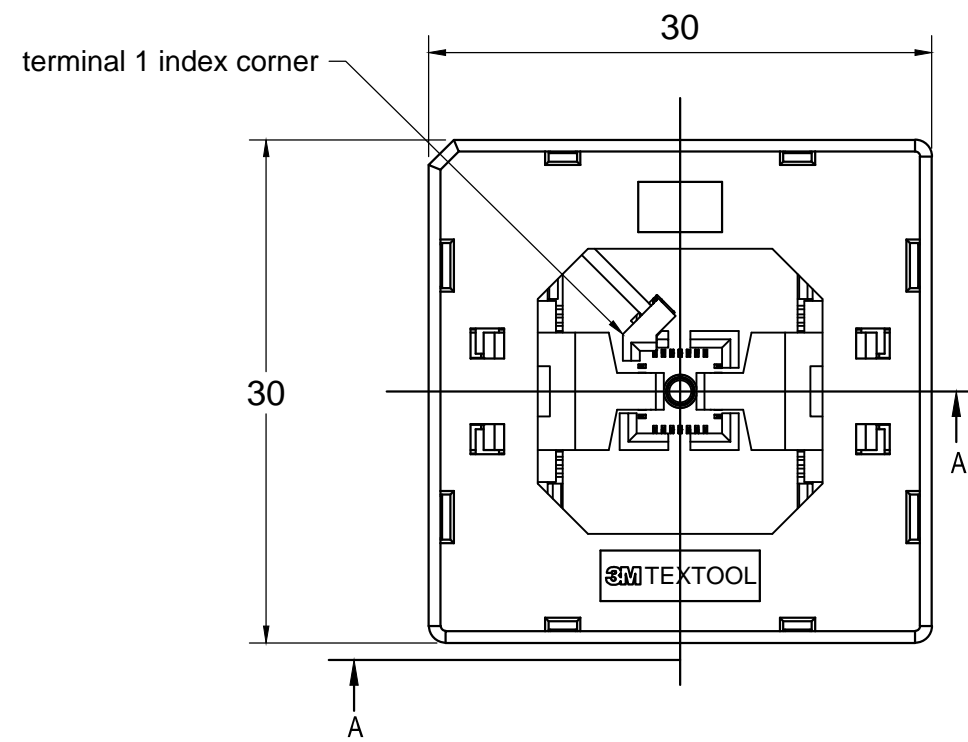


# 3M™ TEXTTOOL™ OPEN-TOP SOCKETS FOR QFN APPLICATIONS



## NOTES:

### 1. MATERIALS:

SPRINGS	SS	PLATING : Au
CONTACTS	Be Cu	COLOR : BLACK
IC GUIDES	PES	COLOR : BLACK
PRESSURE PAD	PES	COLOR : BLACK
COVER	PPS or equiv.	COLOR : BLACK
BASE	PES	COLOR : BLACK

2. SEE THE REGULATORY INFORMATION APPENDIX (RIA) IN THE "RoHS COMPLIANCE" SECTION [WWW.3MCONNECTOR.COM](http://WWW.3MCONNECTOR.COM) FOR COMPLIANCE INFORMATION (RIA E1 & C1 APPLY).

3. FOR PRODUCT SPECIFICATIONS AND WARRANTY INFORMATION SEE:

[WWW.3MCONNECTOR.COM](http://WWW.3MCONNECTOR.COM) PN 228-5204-01

DESIGN REFERENCE		NEXT ASSEMBLY		A	37213	INITIAL RELEASE	ARM	
DISTRIBUTION CODES		TOLERANCES EXCEPT AS NOTED		REV	ECO	ISSUE DATE AND DESCRIPTION	DRFT	CHKD
DIVISION		INCHES		DRFT		DATE	MFG	DATE
DO NOT SCALE DRAWING		MILLIMETERS		CHKD		DATE	APPVL	DATE
SCALE 5/1		THIRD ANGLE PROJECTION		3M Center St. Paul, MN 55144 © 3M COPYRIGHT 2012 This document is the copyrighted property of the 3M Company and may not be reproduced without 3M written permission or used for other than 3M authorized purposes.				
INTERPRET PER ASME Y14.5 - 1994		MAX SURFACE ROUGHNESS		QFN TEST SOCKET, 0.5mm, 28 pos, ODD ROW, 5X5 PKG, WITH TP				
125 <input type="checkbox"/> ALL SURFACES <input checked="" type="checkbox"/> MARKED ONLY		.0 ± .1 .00 ± .02 .000 ± .005 .0000 ± .0002		CAGE NUMBER	SIZE	DRAWING NO.	REV.	
ANGLS ± 1°		0 ± .0 .0 ± .0 .00 ± .000		C	C	78-5100-2465-2	A	
				MODEL	TEXTTOOL - QFN	DET. LISTS	<input type="checkbox"/> YES <input checked="" type="checkbox"/> NO	SHT 1 OF 2

