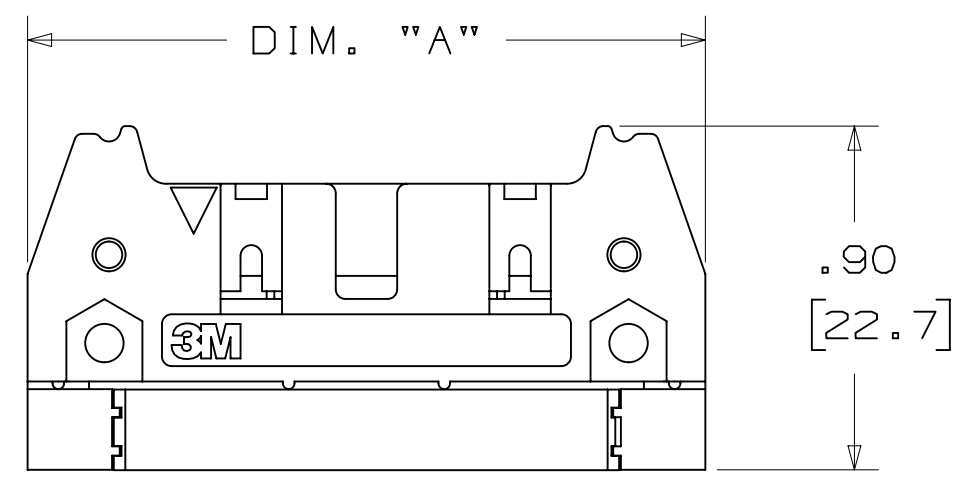
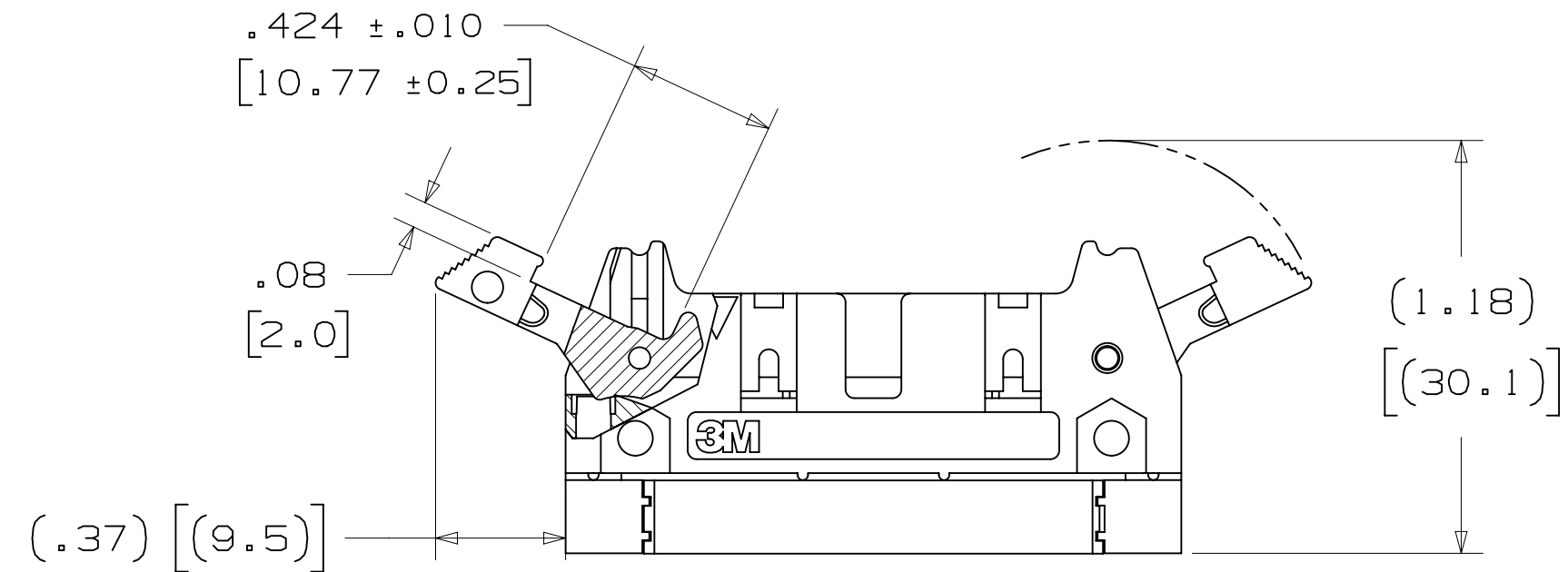


3M™ FOUR-WALL CONDO HEADER, 3000 SERIES

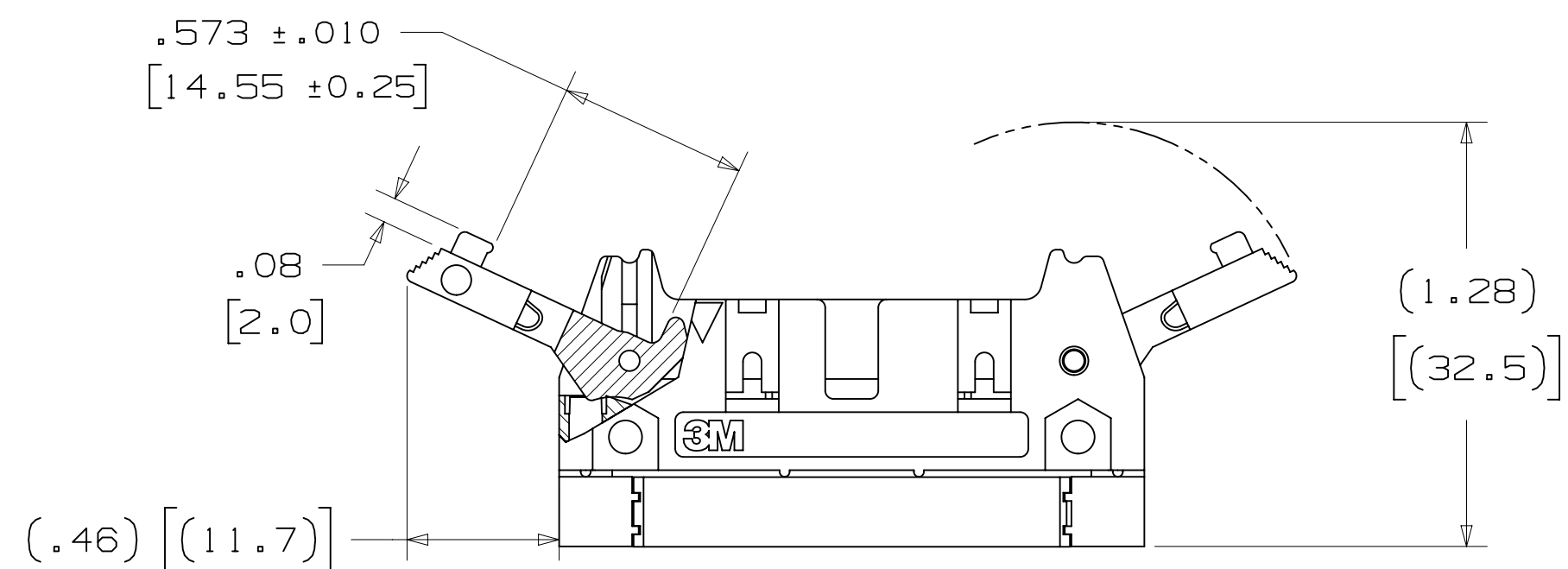
.100" X .100" LATCH/EJECTOR, RIGHT ANGLE



-L00X
HEADER WITHOUT LATCH/EJECTOR



-L20X
HEADER WITH SHORT LATCH/EJECTOR
FOR 3M SOCKETS WITHOUT STRAIN RELIEF



-L30X
HEADER WITH LONG LATCH/EJECTOR
FOR 3M SOCKETS WITH STRAIN RELIEF

- * STACKED PINS CONSERVE SPACE ON THE CIRCUIT BOARD ALLOWING HIGHER DENSITY PACKAGING.
- * PIN QUANTITY TO 128 GIVES DESIGN FLEXIBILITY WITH LATCHING.
- * "HDI" ALTERNATIVE.
- * ACCEPTS STANDARD IDC SOCKETS.
- * MATES WITH STANDARD FLAT CABLE HARNESSSES.
- * HIGH TEMPERATURE INSULATOR SUITABLE FOR "NO LEAD" SOLDERING OPERATIONS.
- * SUITABLE FOR REFLOW SOLDERING USING "PASTE IN HOLE" TECHNIQUES.

2 PHYSICAL :

INSULATOR: GLASS FILLED POLYESTER (PCT)
 MATERIAL: UL94V-0
 FLAMMABILITY: UL94V-0
 COLOR: BLACK
 CONTACT: COPPER ALLOY
 MATERIAL: COPPER ALLOY
 PLATING:
 UNDER PLATING: 100μ" [2.54μm] NICKEL-OVERALL
 WIPING AREA: 30μ" [0.76μm] AVG. GOLD
 SOLDER TAILS: 200μ" [5.08μm] TIN LEAD OR MATTE TIN (SEE ORDERING INFORMATION)
 MARKINGS: 3M LOGO, PART IDENTIFICATION NUMBER AND ORIENTATION TRIANGLE

2 ELECTRICAL :

CURRENT RATING: 1A (EIA 364-70)
 INSULATION RESISTANCE: >1 X 10⁹Ω AT 500 V_{DC}
 WITHSTANDING VOLTAGE: 1,000V_{RMS} AT SEA LEVEL

2 ENVIRONMENTAL :

TEMPERATURE RATING: -55°C TO 105°C
 PROCESS RATING: 260°C, PER J-STD-020C, SINGLE PASS
 MOISTURE SENSITIVITY LEVEL: 1 (PER J-STD-020C)

- NOTES
- REGULATORY INFORMATION: ROHS COMPLIANT. SEE THE REGULATORY INFORMATION APPENDIX (RIA) IN THE "ROHS COMPLIANCE" SECTION OF WWW.3MCONNECTORS.COM FOR COMPLIANCE INFORMATION.
 - IN THE EVENT OF CONFLICT BETWEEN THIS DATA AND THAT CONTAINED IN THE PRODUCT SPECIFICATION, THE PRODUCT SPECIFICATION TAKES PRECEDENT.
 - NOTCHES A & C WILL ACCOMODATE 3M POLARIZING KEY: N3518.
 - MOUNTING HARDWARE: FROM SOLDER SIDE OF PC BOARD USE #4-24 THREAD CUTTING SCREW (3M PART #3341-5) AND Ø.116 [2.95] MOUNTING HOLE.

ORDERING INFORMATION

X3XXX-LXXXXX

N= HIGH TEMP BLACK (PCT)/(RB PLATING REQ'D)
 BLANK= (UB PLATING)

3M PART NUMBER:
 (SEE TABLE 1)

LATCH/EJECTOR SYSTEM:
 0 = NO LATCH/EJECTOR INSTALLED
 2 = SHORT ROLL PIN LATCH/EJECTORS
 3 = LONG ROLL PIN LATCH/EJECTORS

PLATING:
 RB = 30μ" [0.76μm] GOLD AND 200μ" [5.08μm] MATTE TIN
 (APP. E1 & C1 APPLY)
 UB = 30μ" [0.76μm] GOLD AND 200μ" [5.08μm]
 TIN LEAD (APP. E3 & C2 APPLY)

TAIL:
 02 = FOR .062 [1.57] THICK BOARD
 03 = FOR .094 TO .125 [2.39 TO 3.18] THICK BOARD

DIMENSIONS: INCHES [MM]
 [MM] IS REF. ONLY

| DESIGN REFERENCE | NEXT ASSEMBLY | REV | ECO | ISSUE DATE AND DESCRIPTION | DRFT | CHKD |
|------------------------|------------------------|----------------------------|--------------|--|------------|--------------|
| | | | | | | |
| DESIGN CODES | | CASTIGLIONE | AUG 05, 2014 | MFG DATE | | |
| | | | | APPR | R. SCHERER | DATE |
| | | | | | | SEP 05, 2014 |
| DIVISION | Interconnect Solutions | DIVISION CODE | EMSD | © 3M COPYRIGHT 2015 | | |
| DO NOT SCALE DRAWING | SCALE 1 | TOLERANCES EXCEPT AS NOTED | | This document and the information it contains are 3M property and may not be reproduced or further distributed without 3M permission, or used or disclosed other than for 3M authorized purposes. All rights reserved. | | |
| | | INCHES | | TITILE | | |
| | | .00 ± .01 | | HEADER, 4-WALL, | | |
| | | .000 ± .005 | | CONDO, .100 X .100 | | |
| | | .0000 ± | | LATCH/EJECTOR, RA | | |
| THIRD ANGLE PROJECTION | | MILLIMETERS | | CAGE NUMBER | | |
| | | 0 ± | | D78-5100-0774-9 | | |
| | | .0 ± .3 | | DRAWING NO. | | |
| | | .00 ± .13 | | REV. | | |
| | | .000 ± | | K | | |
| | | ANGLES | | MODEL | | |
| | | | | 3000 SERIES | | |
| | | | | DET. [] YES [X] NO [] SHT 1 OF 3 | | |

3M ELECTRONIC MATERIALS SOLUTIONS DIVISION
 INTERCONNECT SOLUTIONS
<http://www.3mconnectors.com>

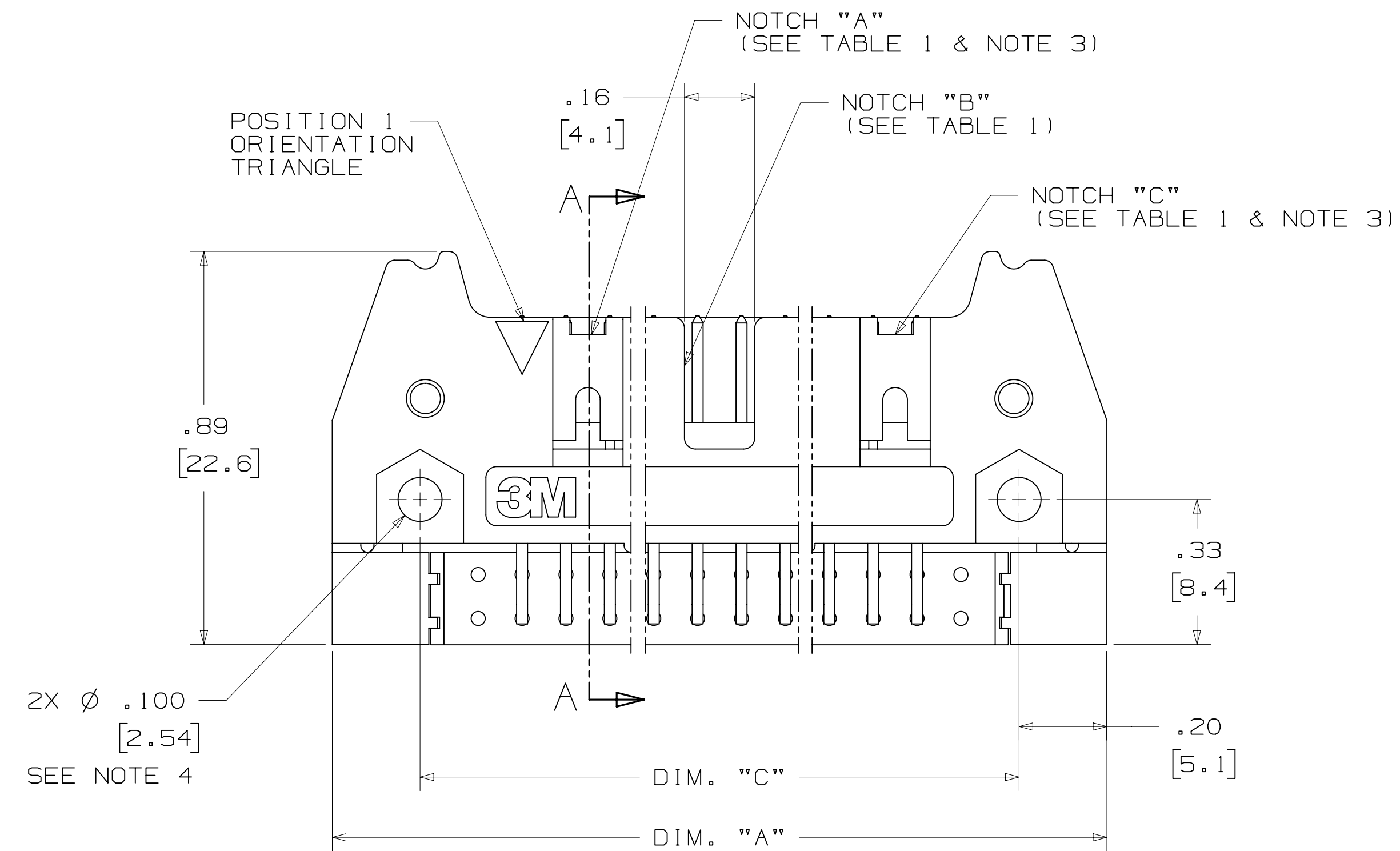
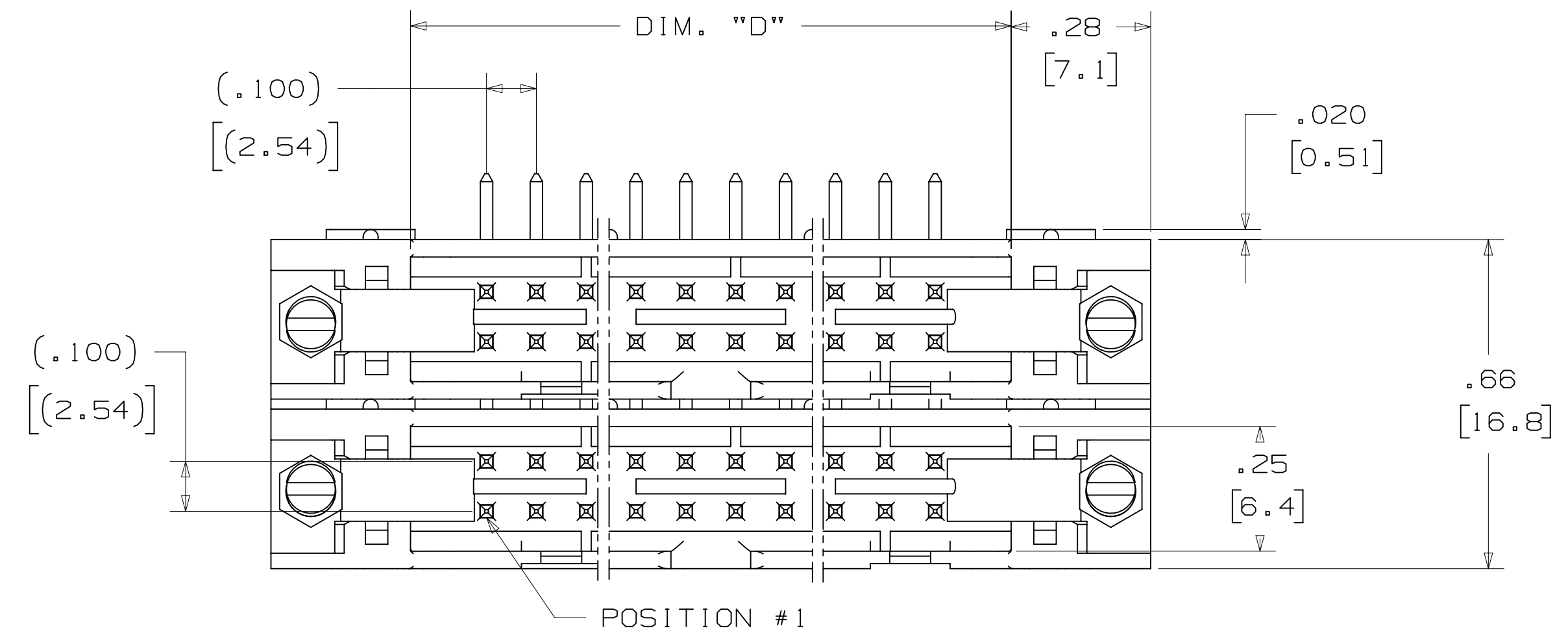
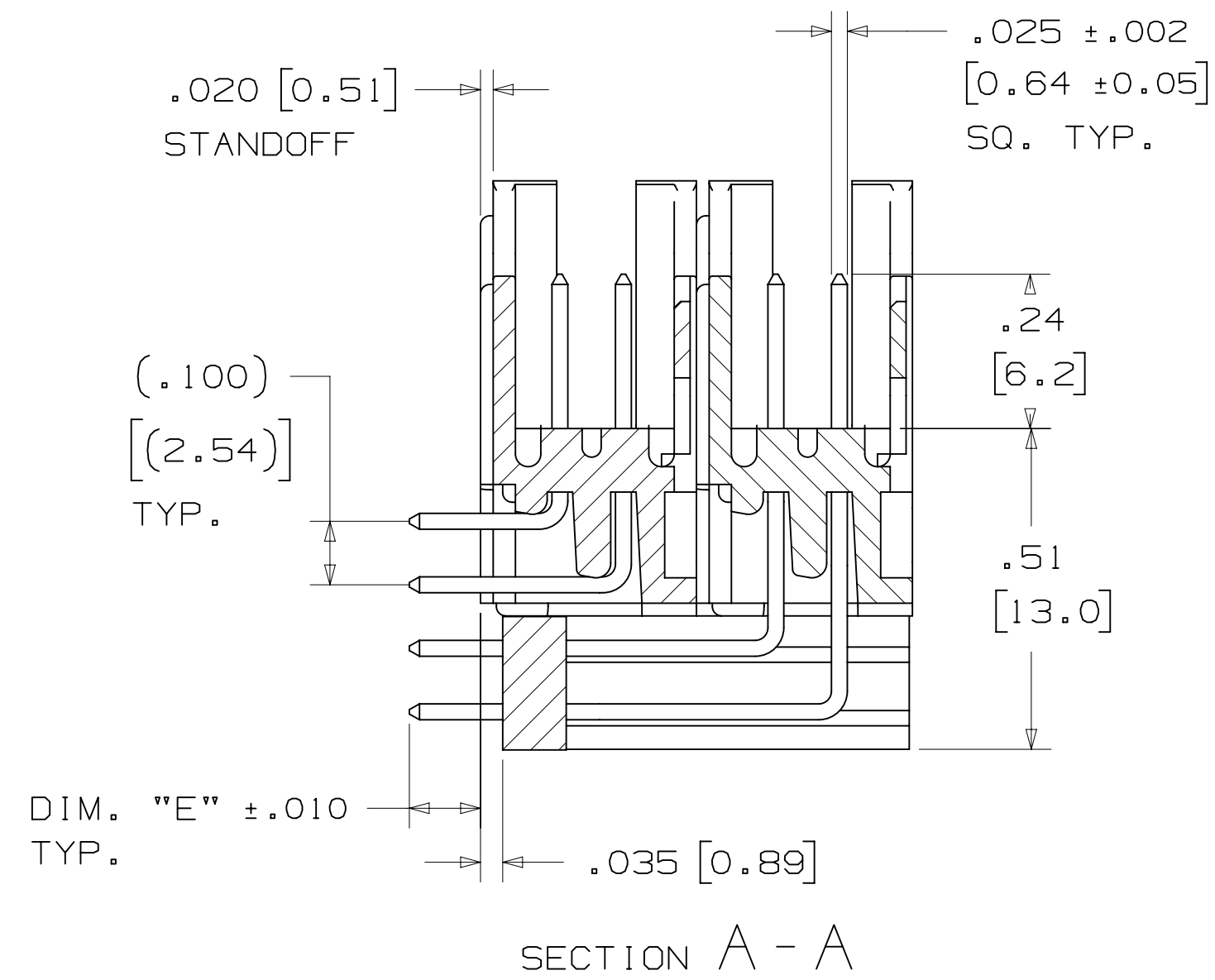
3M IS A TRADEMARK OF 3M COMPANY.
 FOR TECHNICAL, SALES OR ORDERING
 INFORMATION CALL 800-225-5373

3M
 UL FILE NO: E68080

Imaged: K.1 3/6/2015 12:57 PM UTC-06:00
 78-5100-0774-9 K REVISION
 DRAWING NUMBER

3M™ FOUR-WALL CONDO HEADER, 3000 SERIES

.100" X .100" LATCH/EJECTOR, RIGHT ANGLE



| TABLE 1 | | | | | | |
|----------|----------------|--------------|---------------|-------------|--------------------|----------|
| PIN QTY. | 3M PART NUMBER | DIM. "A" | DIM. "C" | DIM. "D" | POLARIZING NOTCHES | PIN QTY. |
| 20 | 3793 | 1.26 [32.1] | .865 [21.97] | .71 [18.0] | BC | 20 |
| 28 | 3314 | 1.46 [37.2] | 1.065 [27.05] | .91 [23.1] | BC | 28 |
| 32 | 3408 | 1.56 [39.7] | 1.165 [29.59] | 1.01 [25.6] | ABC | 32 |
| 40 | 3428 | 1.76 [44.8] | 1.365 [34.67] | 1.21 [30.7] | ABC | 40 |
| 48 | 3627 | 1.96 [49.9] | 1.565 [39.75] | 1.41 [35.8] | ABC | 48 |
| 52 | 3429 | 2.06 [52.4] | 1.665 [42.29] | 1.51 [38.3] | ABC | 52 |
| 60 | 3440 | 2.26 [57.5] | 1.865 [47.37] | 1.71 [43.4] | ABC | 60 |
| 68 | 3431 | 2.46 [62.6] | 2.065 [52.45] | 1.91 [48.5] | ABC | 68 |
| 80 | 3432 | 2.76 [70.2] | 2.365 [60.07] | 2.21 [56.1] | ABC | 80 |
| 100 | 3433 | 3.26 [82.9] | 2.865 [72.77] | 2.71 [68.8] | ABC | 100 |
| 120 | 3372 | 3.76 [95.6] | 3.365 [85.47] | 3.21 [81.5] | ABC | 120 |
| 128 | 3764 | 3.96 [100.7] | 3.565 [90.55] | 3.41 [86.6] | ABC | 128 |

| TABLE 2 | | |
|-----------------------|--------------|-------------|
| 3M PART NUMBER SUFFIX | CONTACT TAIL | DIM. "E" |
| -XX02 | 02 | .112 [2.84] |
| -XX03 | 03 | .155 [3.94] |

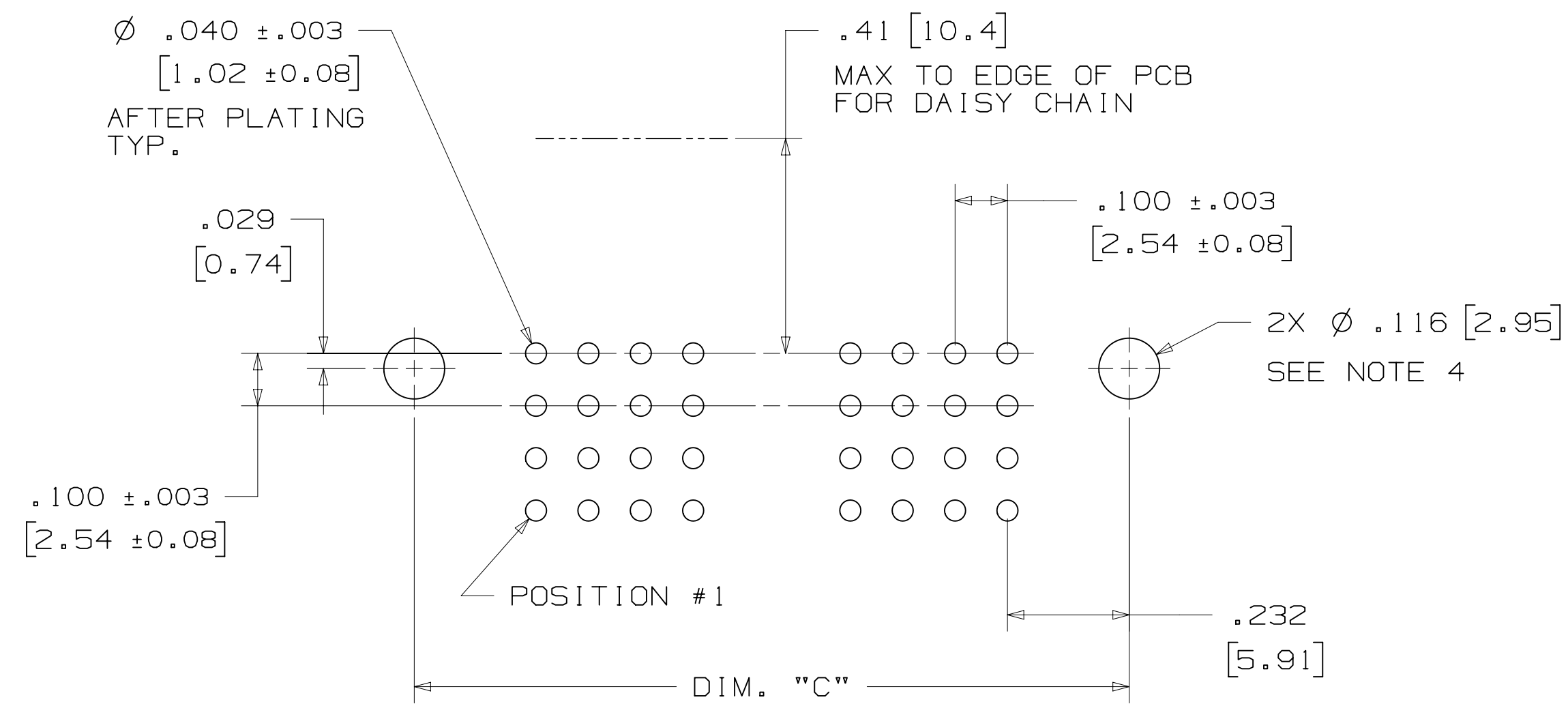
NOTE:
 .112 [2.84] TAIL LENGTH SUITABLE FOR
 .062 [1.57] THICK PC BOARD.

| | | | | | | |
|------------------------|---------------------------------|----------------------------|---|----------------------------|-------------|------------|
| DESIGN REFERENCE | NEXT ASSEMBLY | REV | ECO | ISSUE DATE AND DESCRIPTION | DRFT | CHKD |
| | | | | | | |
| DIVISION | DIVISION CODE | DATE | DATE | DATE | DATE | DATE |
| Interconnect Solutions | EMSD | AUG 05, 2014 | MFG | SEP 05, 2014 | | |
| DO NOT SCALE DRAWING | SCALE 4/1 | TOLERANCES EXCEPT AS NOTED | | | | |
| THIRD ANGLE PROJECTION | INTERPRET PER ASME Y14.5 - 2009 | MILLIMETERS | © 3M COPYRIGHT 2015 This document and the information it contains are 3M property and may not be reproduced or further distributed without 3M permission, or used or disclosed other than for 3M authorized purposes. All rights reserved. | | | |
| MAX SURFACE ROUGHNESS | SURFACES | INCHES | TITLE HEADER, 4-WALL, CONDO, .100 X .100 LATCH/EJECTOR, RA | | | |
| MARKED ONLY | ANGLES | | CAGE NUMBER | SIZE | DRAWING NO. | REV. |
| | | | D | 78-5100-0774-9 | K | |
| | | | MODEL | 3000 SERIES | DET | SHT 2 OF 3 |

K REVISION
 78-5100-0774-9
 DRAWING NUMBER
 B
 A
 Imaged: K.1 3/6/2015 12:57 PM UTC-06:00

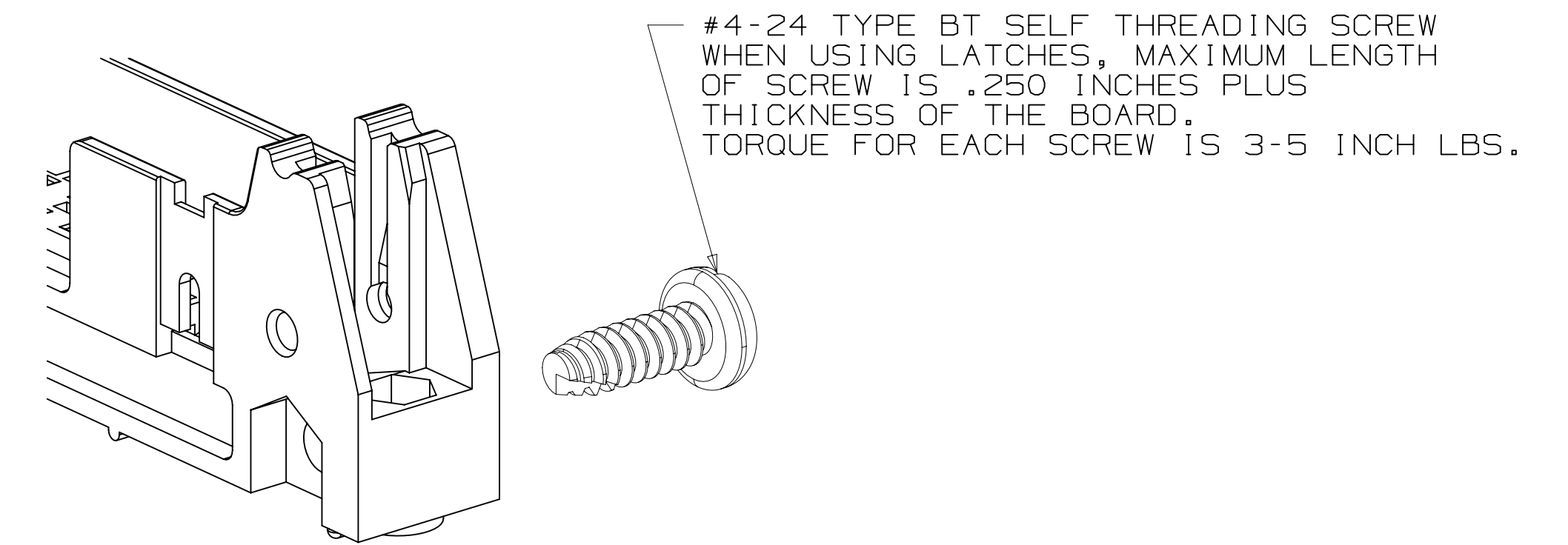
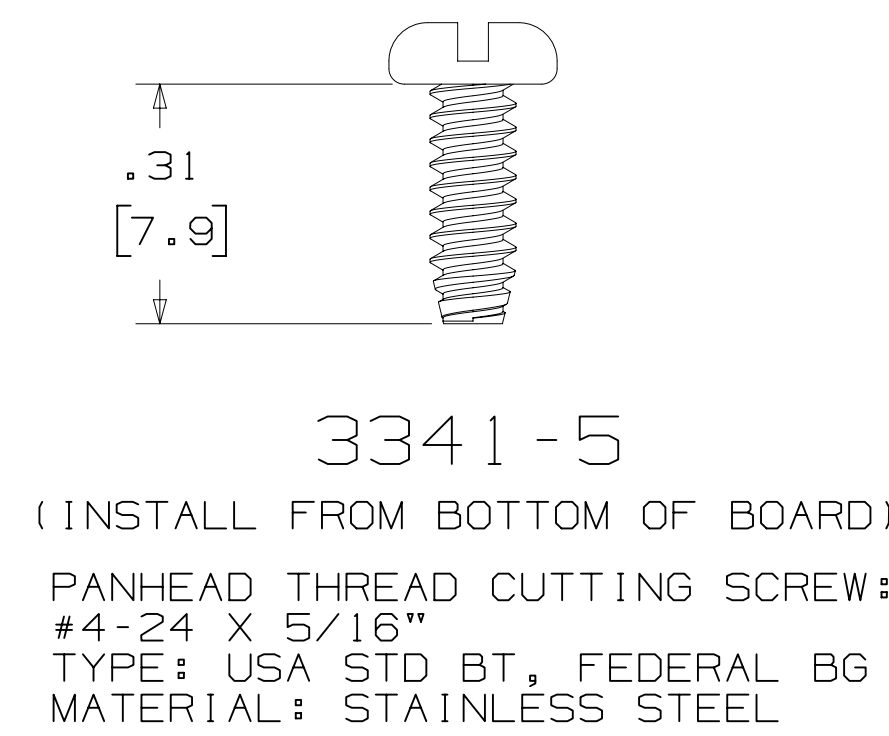
3M™ FOUR-WALL CONDO HEADER, 3000 SERIES

.100" X .100" LATCH/EJECTOR, RIGHT ANGLE



RECOMMENDED MOUNTING HOLE PATTERN

MOUNTING HARDWARE



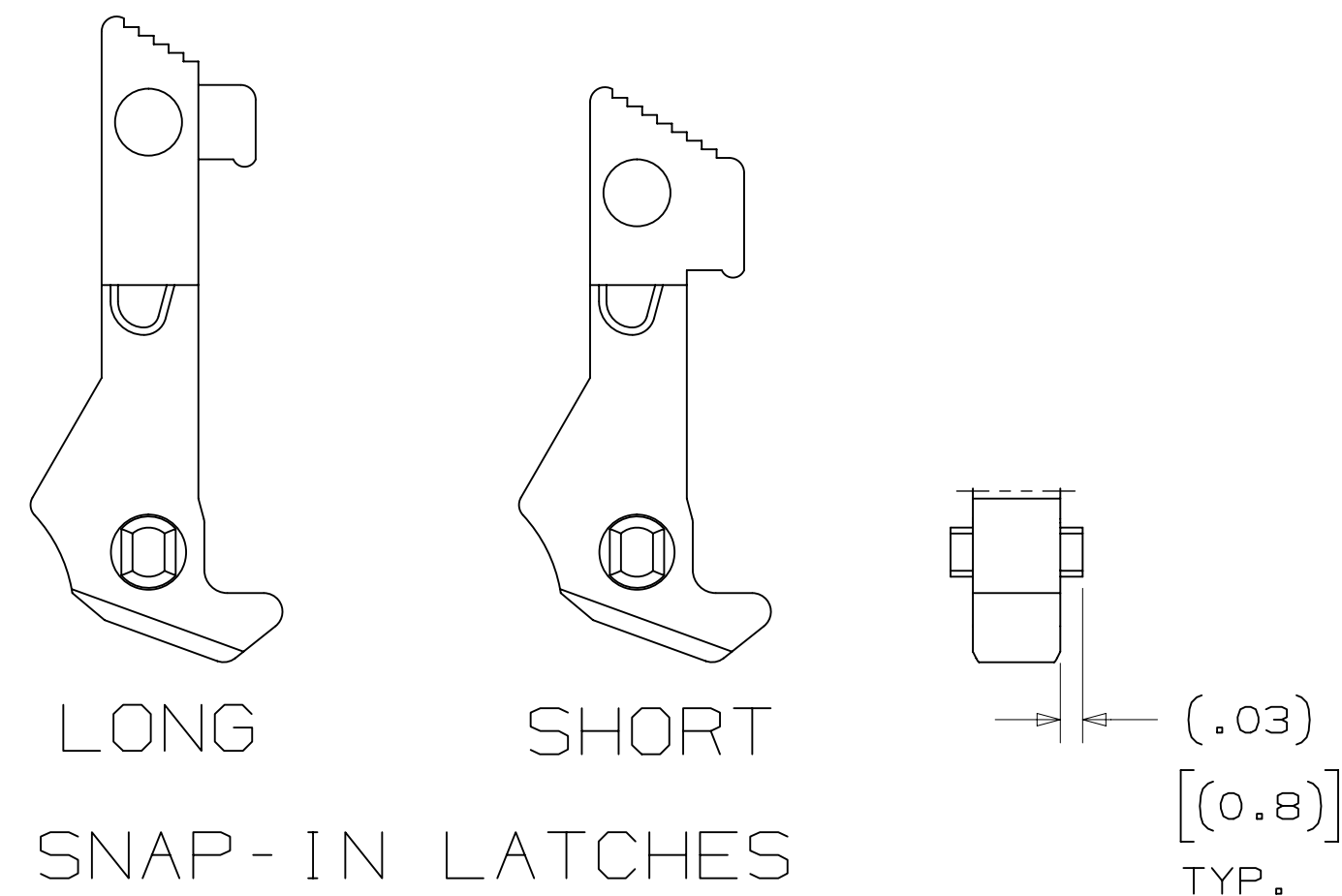
PART CUSTOMIZATION

THIS SPEC SHEET DETAILS OUR STANDARD OFFERING.

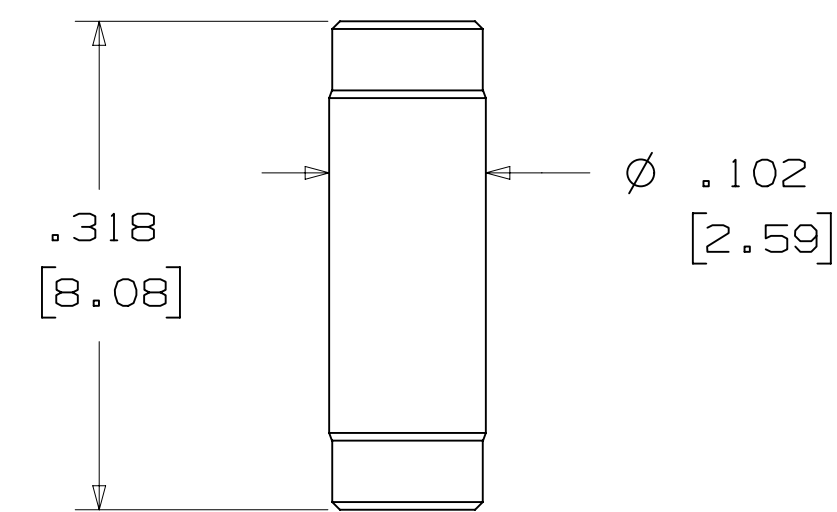
3M HAS SEVERAL CAPABILITIES THAT CAN PROVIDE A PART TAILORED TO YOUR SPECIFIC NEEDS. ASK YOUR 3M SALES REPRESENTATIVE OR CUSTOMER SERVICE FOR MORE DETAILS.

BOTH SNAP-IN AND ROLL PIN LATCHES MAY BE ORDERED SEPARATELY. SNAP-IN AND ROLL PIN STYLE LATCHES ARE DIMENSIONALLY AND FUNCTIONALLY EQUIVALENT. IF ORDERING SNAP-IN OR ROLL PIN STYLE LATCHES SEPARATELY, PLEASE USE THE BELOW CHART.

| MATERIAL | SHORT LATCH | LONG LATCH | LATCH STYLE | COLOR |
|------------------|-------------|------------|-------------|-------|
| HIGH TEMP. (PCT) | N3505-2B | N3505-3B | ROLL PIN | BLACK |
| HIGH TEMP (PPA) | N3505-30B | N3505-31B | SNAP-IN | BLACK |



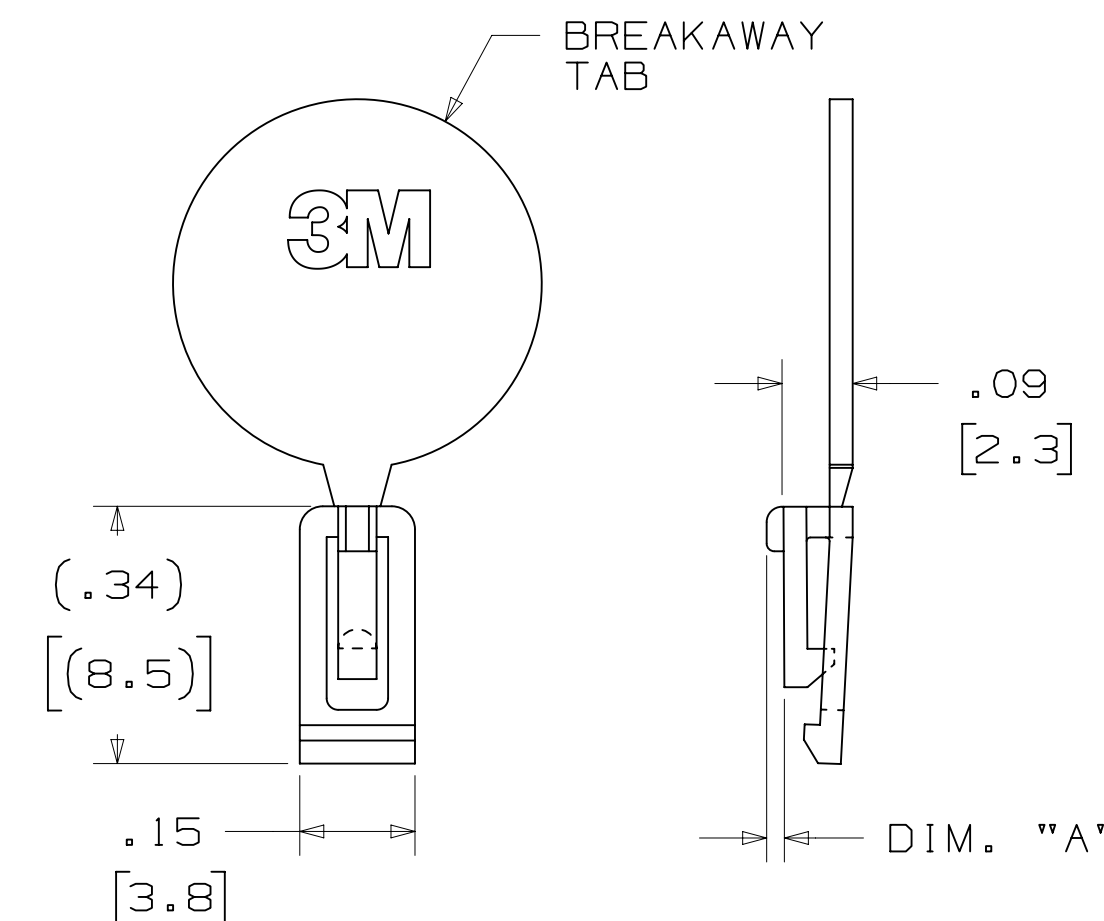
POLARIZING POST



| 3M PART NO. | MATERIAL | COLOR |
|-------------|----------|-------|
| 3201-4 | LCP | BLACK |

NOTE:
INSERT POST INTO ONE MOUNTING
HARDWARE HOLE ON BOTTOM OF HEADER.
SET POST TO PROTRUDE .115 [2.92]

POLARIZING KEY



| 3M PART NO. | MATERIAL | COLOR | DIM. "A" |
|-------------|----------|-------|----------|
| N3518 | LCP | BLACK | .02 |

NOTE:
#2216 B/A SCOTCHWELD CAN BE USED TO
ADHERE KEYS.

| | | | | |
|---|-------|--------------|-----|----|
| K | 60056 | MAR 06, 2015 | JNC | RS |
| J | 56068 | AUG 05, 2014 | JNC | RS |

| REV | ECO | ISSUE DATE AND DESCRIPTION | DRFT | CHKD |
|-----|-----|----------------------------|------|------|
| 1 | ECO | AUG 05, 2014 | | |

| | | | |
|------------------|---------------|------------|--------------|
| DESIGN REFERENCE | NEXT ASSEMBLY | APPRV | DATE |
| | | R. SCHERER | SEP 05, 2014 |

| | | | |
|----------------------|------------------------|----------------------------|------|
| DIVISION | INTERCONNECT SOLUTIONS | DIVISION CODE | EMSD |
| DO NOT SCALE DRAWING | SCALE 4/1 | TOLERANCES EXCEPT AS NOTED | |

| | | | |
|------------------------|---------------------------------|-------------|-----|
| THIRD ANGLE PROJECTION | INTERPRET PER ASME Y14.5 - 2009 | MILLIMETERS | 0 ± |
| MAX SURFACE ROUGHNESS | 0.13 | INCHES | 0 ± |

| | |
|-------------|--|
| TITLE | HEADER, 4-WALL, CONDO, .100 X .100 LATCH/EJECTOR, RA |
| CAGE NUMBER | D78-5100-0774-9 |

| | | | |
|-------|-------------|------|---|
| MODEL | 3000 SERIES | REV. | K |
|-------|-------------|------|---|

K REVISION
78-5100-0774-9
DRAWING NUMBER
B
A
Imaged: K.1 3/6/2015 12:57 PM UTC-06:00