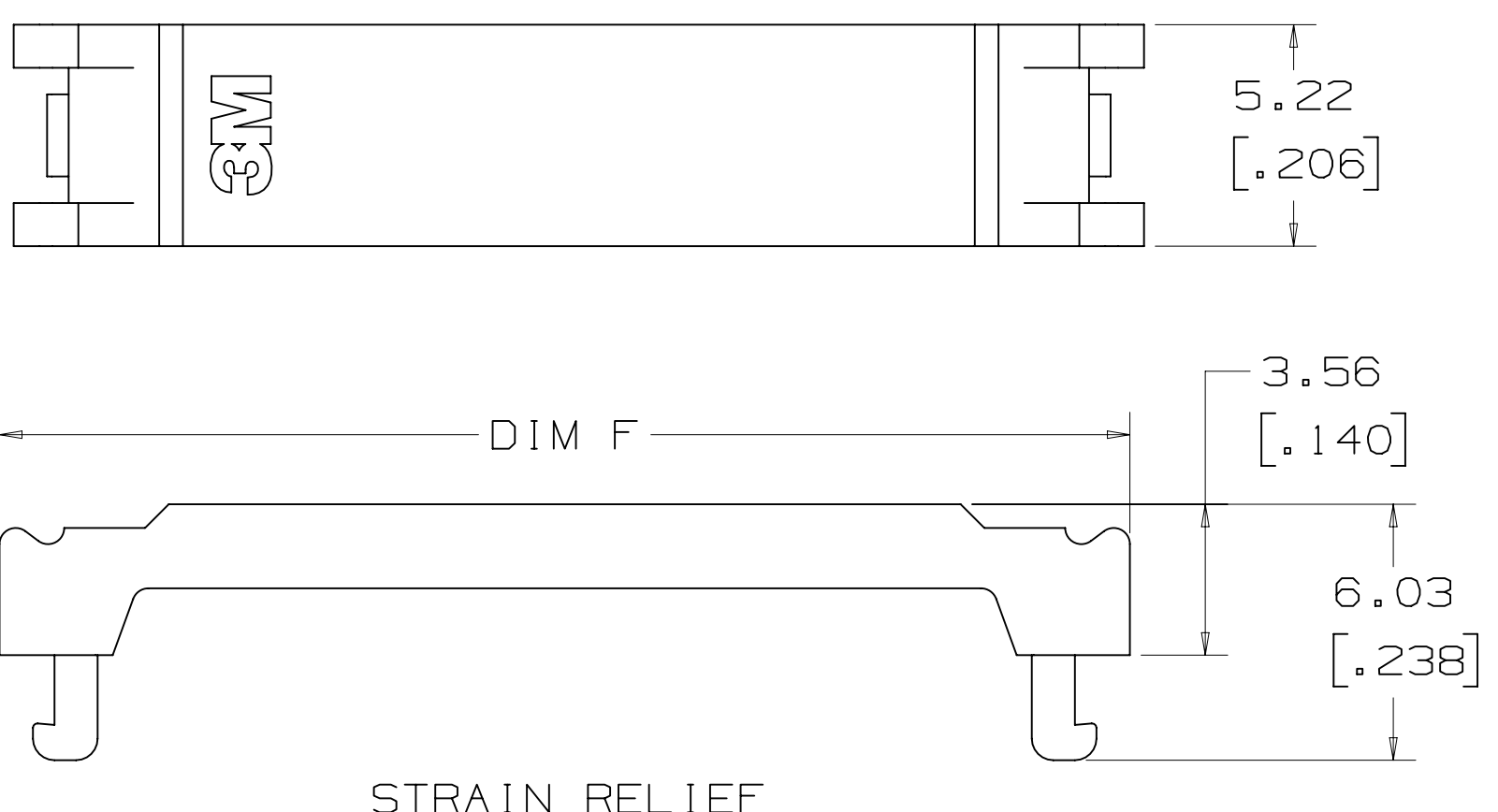
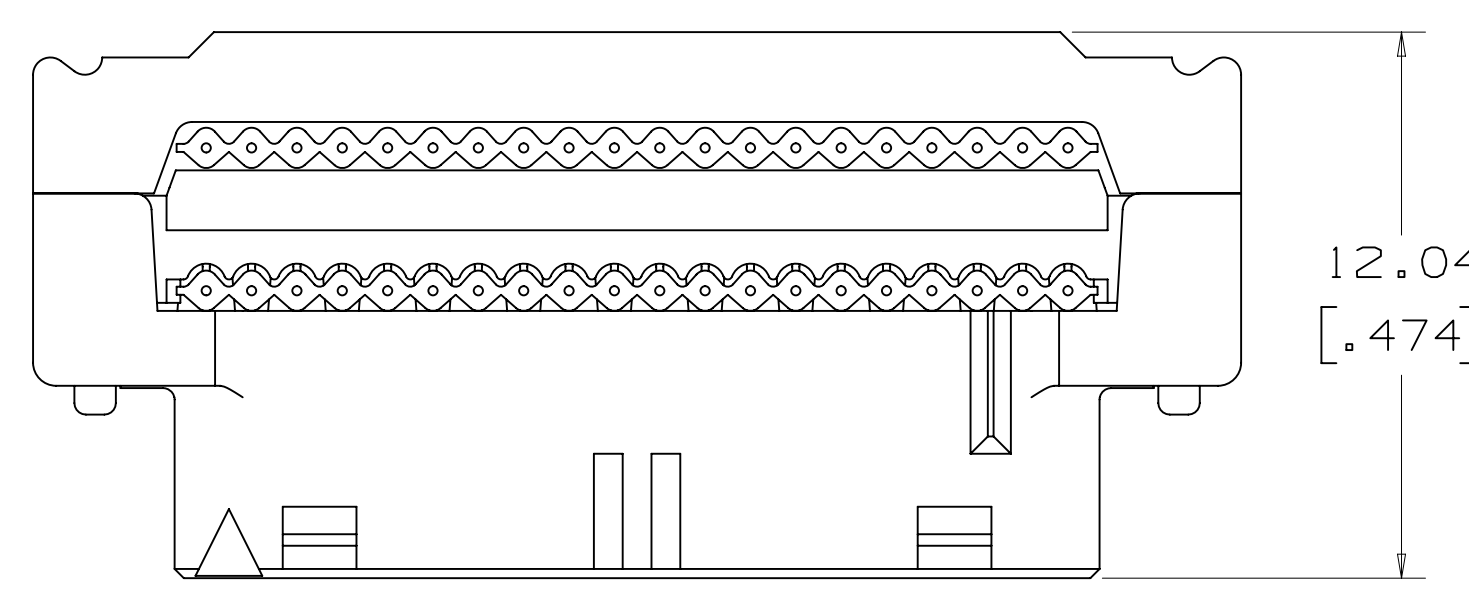
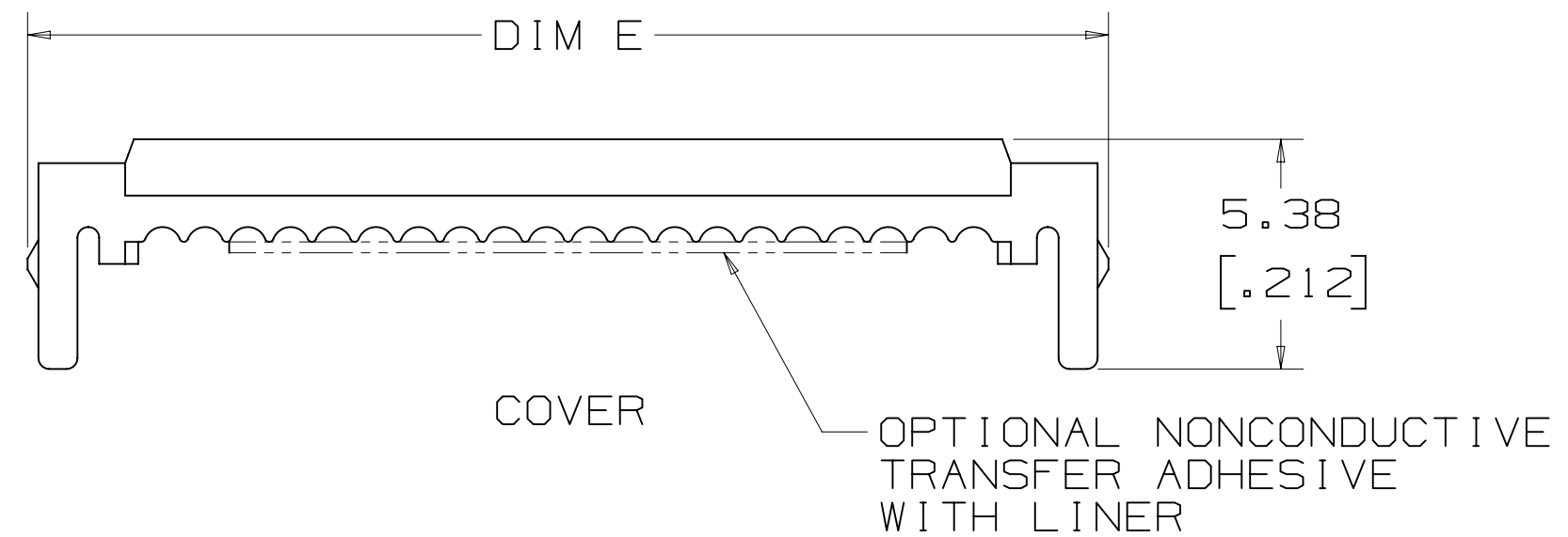
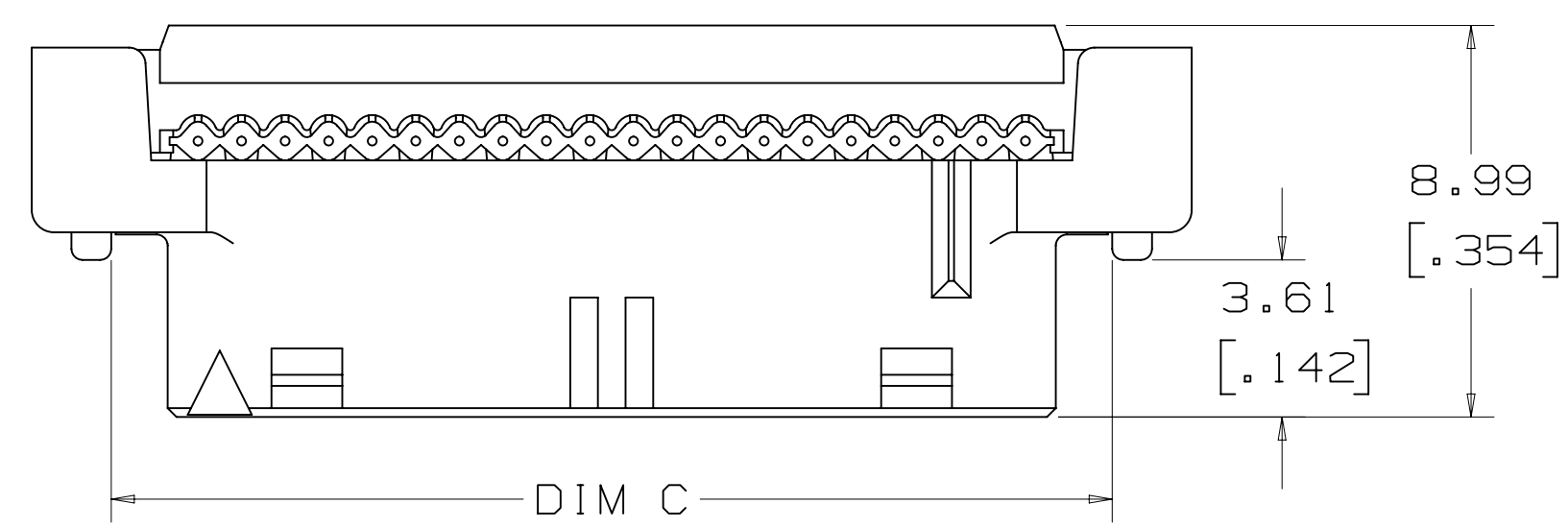
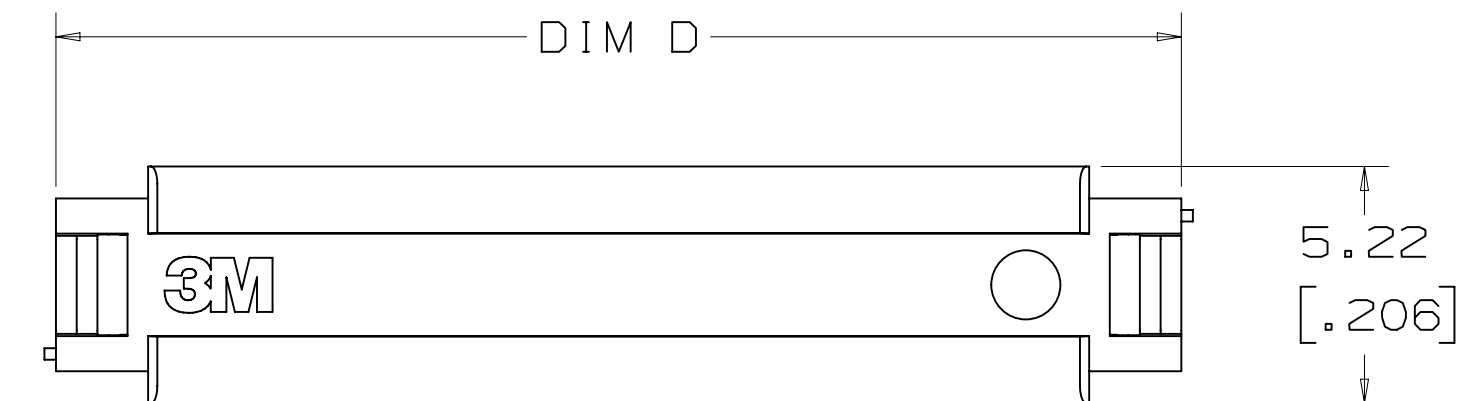
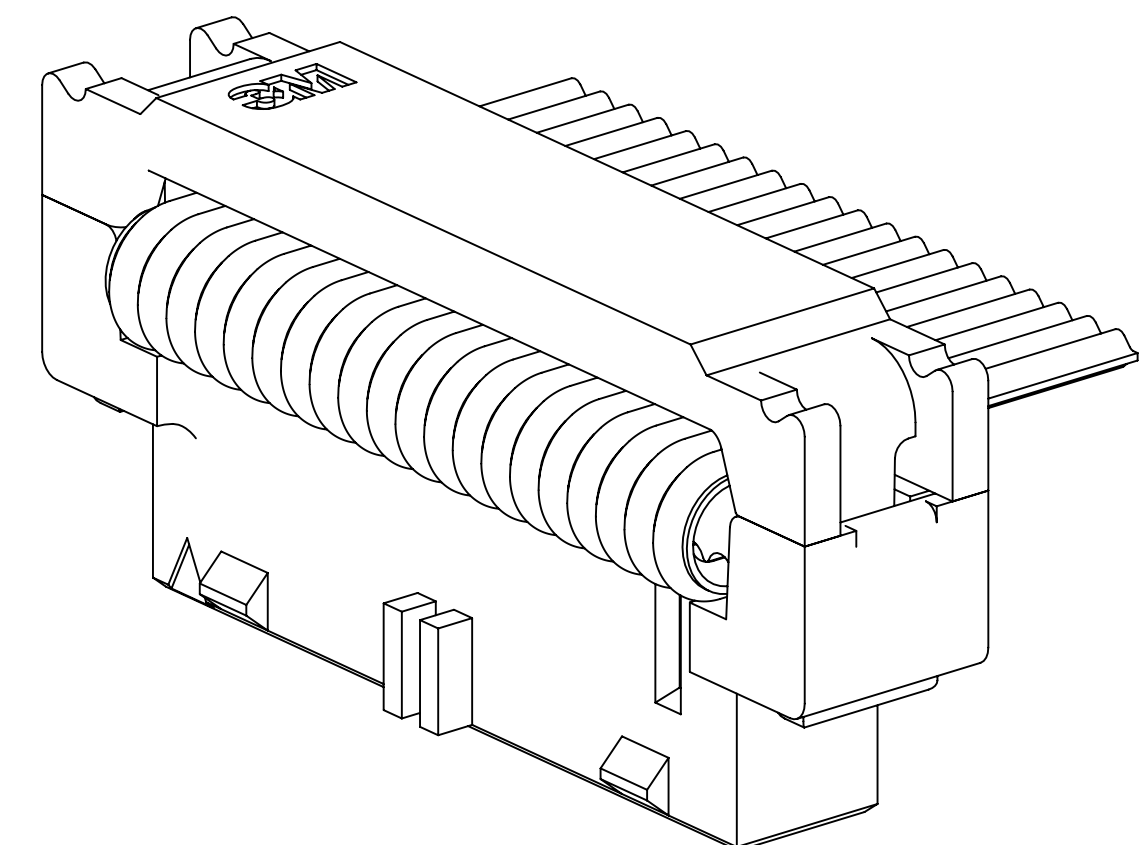
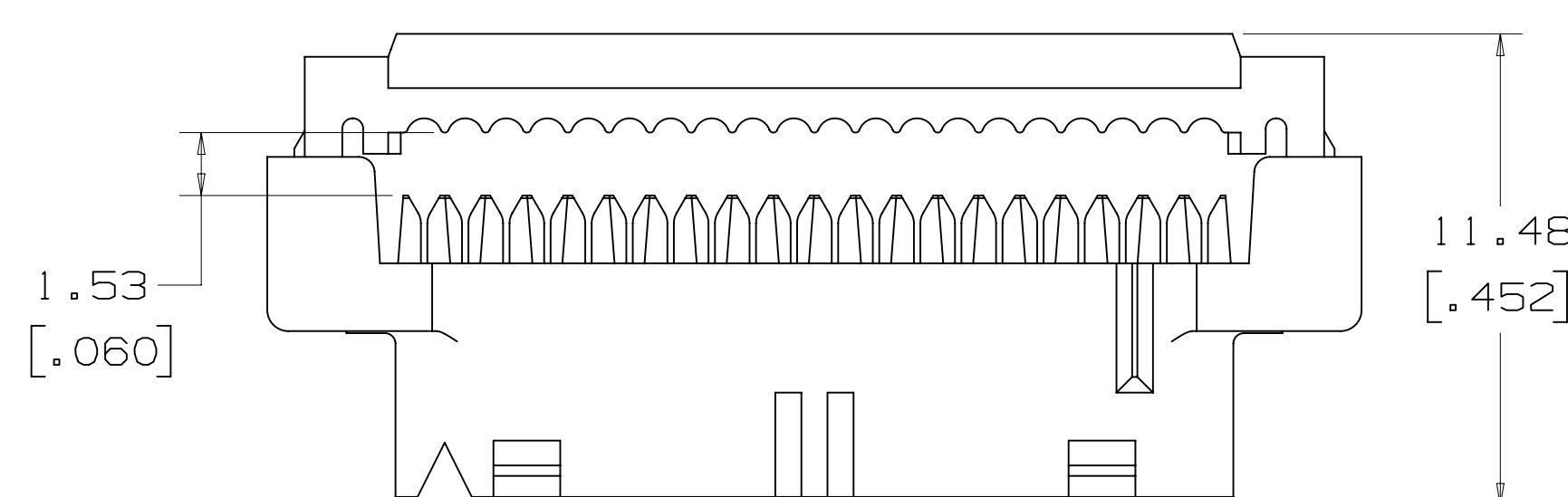
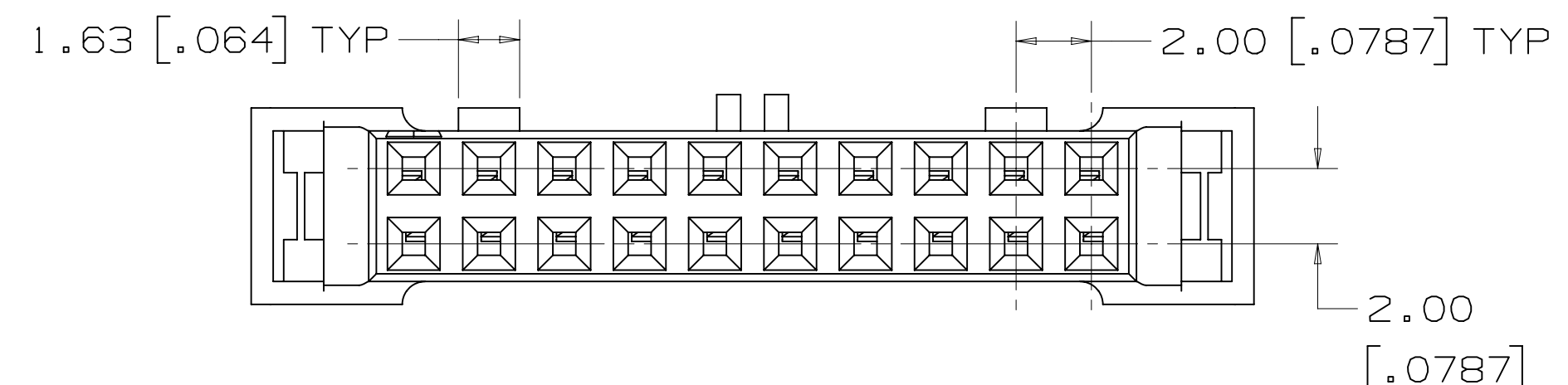
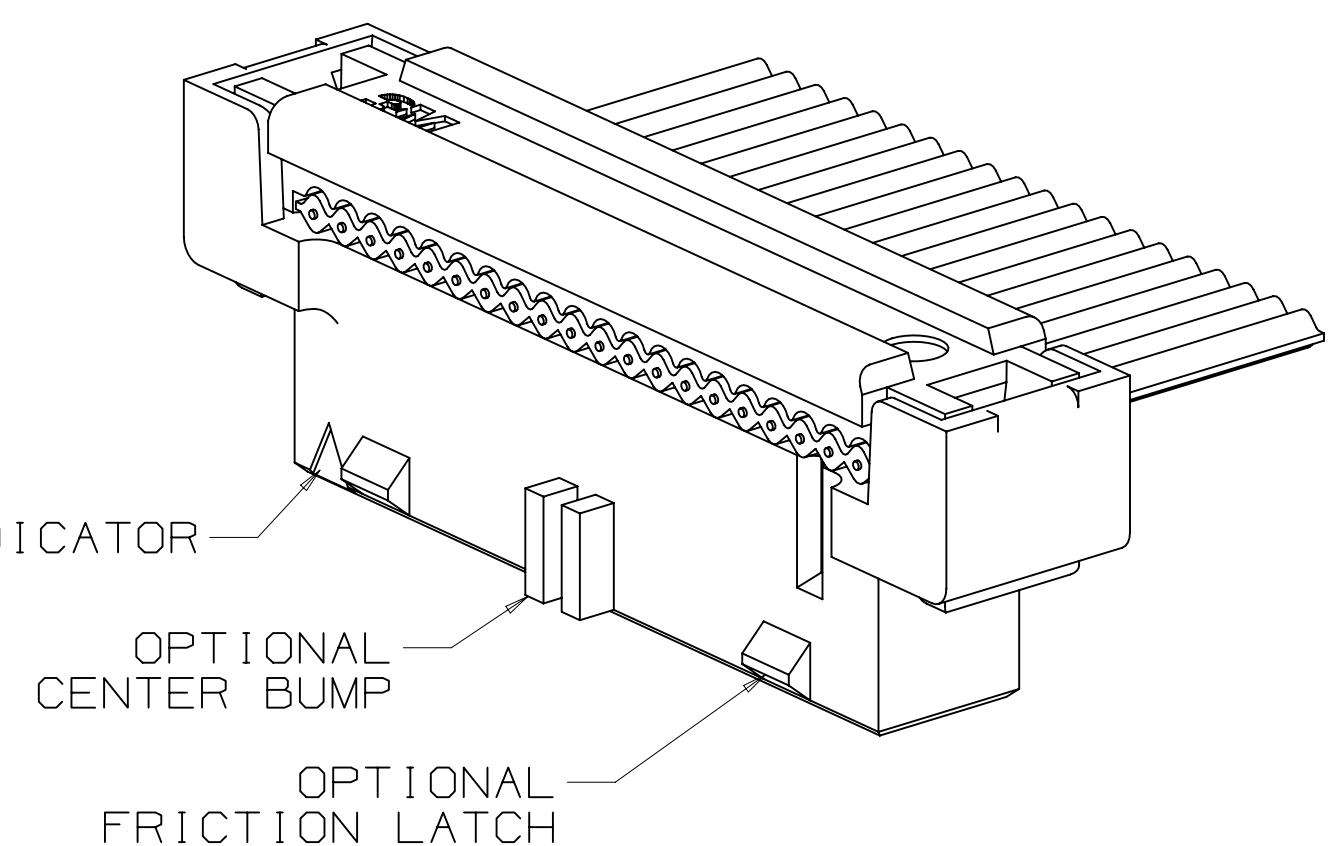
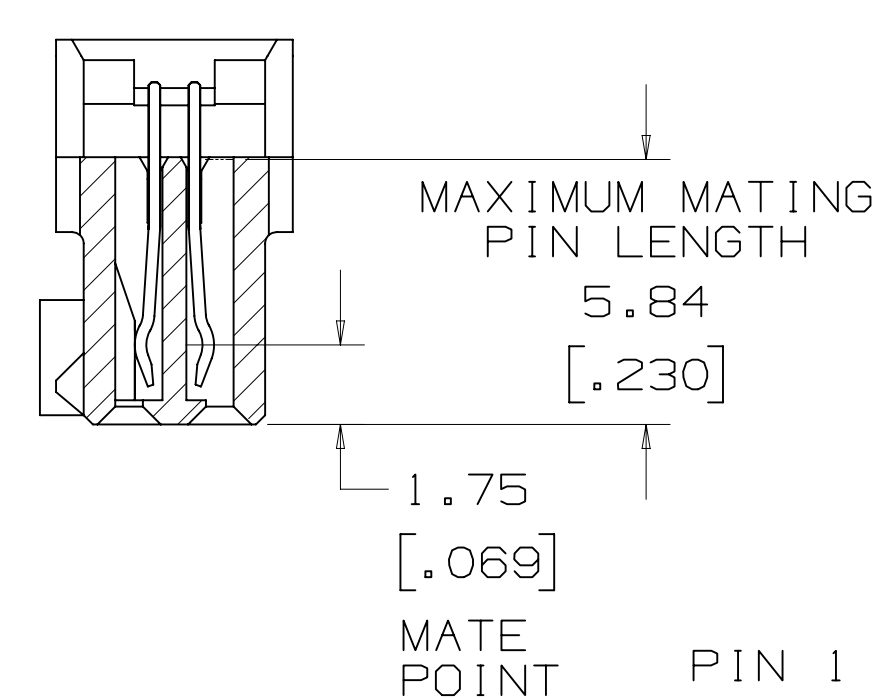
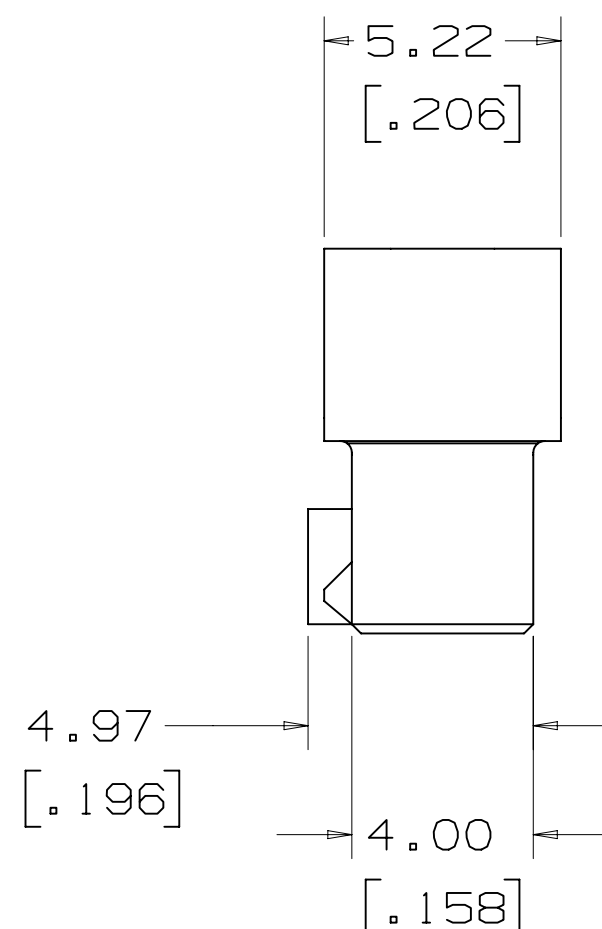
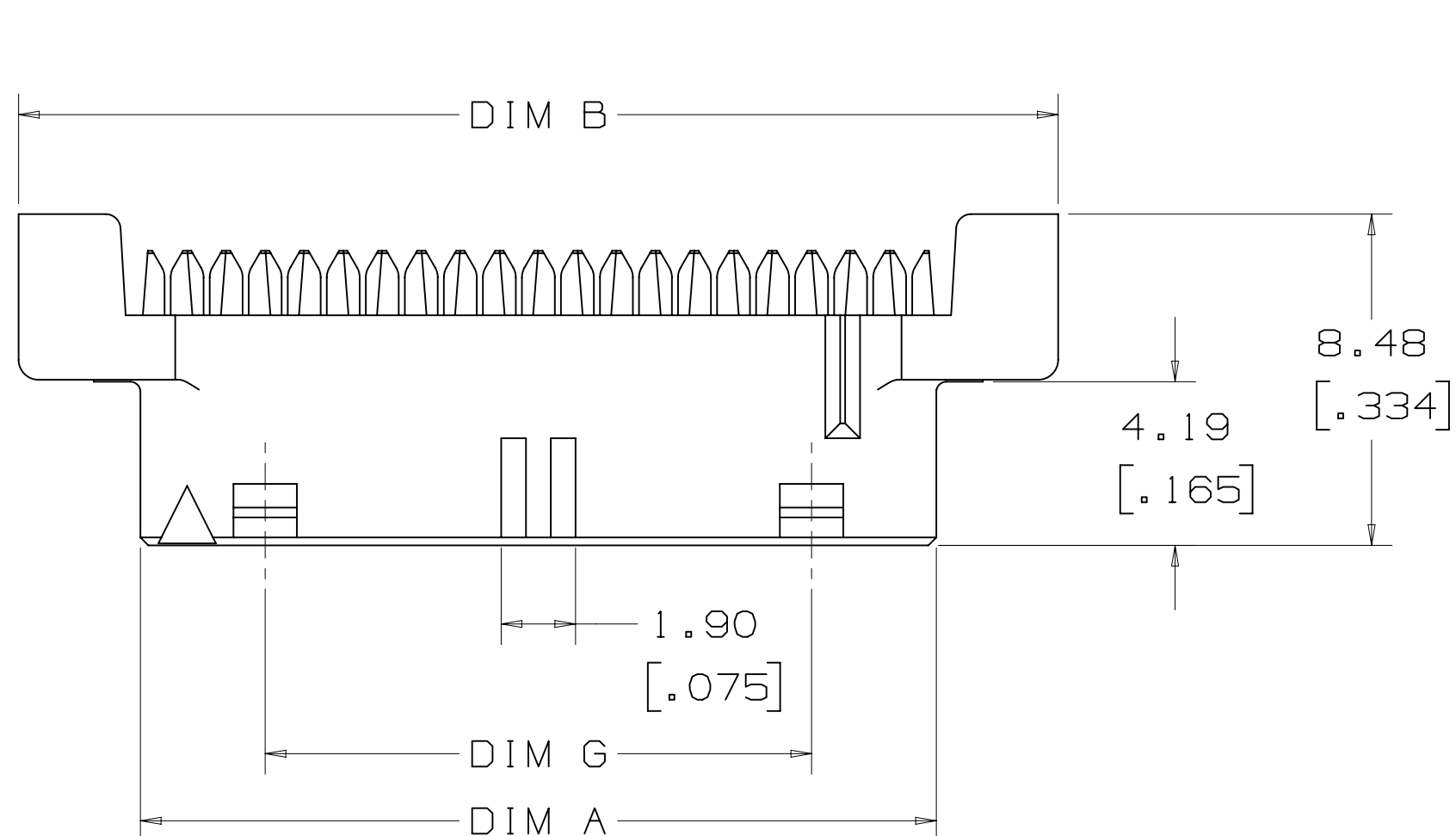


3M™ Ribbon Cable Socket 2 mm X 2 mm Pitch 158 Series



- NOTES
- 1 MATERIAL: BODY: HIGH TEMP GLASS FILLED POLYESTER, GRAY UL94V-0 CONTACTS: COPPER ALLOY
 - 2 PLATING: 2.03-3.81 μm [80-150 μin] NICKEL UNDERPLATE 0.38 μm [15 μin] OR 0.76 μm [30 μin] AVG GOLD ON WIPING AREA.
 - 3 RIBBON CABLE: RECOMMENDED: 3M™ 3625 (28 AWG, 7 STRAND).
 - 4 APPLICATION TOOLS: 3460 PRESS (OR EQUIVALENT) 3443-119 LOCATOR PLATE, 3442-9 PLATEN SEE 3M INSTRUCTION SHEET 78-9101-2810-3.
 - 5 MATES WITH 3M™ HEADERS 159 SERIES (REFERENCE 3M DRAWING 78-5100-2359-7). (0.51 mm [0.020 in] SQ, CROWNED PINS).
 - 6 SEE THE REGULATORY INFORMATION APPENDIX (RIA) IN THE "RoHS COMPLIANCE" SECTION OF WWW.3MCONNECTOR.COM FOR COMPLIANCE INFORMATION (RIA E1 & C1 APPLY).
 - 7 FOR PRODUCT SPECIFICATIONS AND WARRANTY INFORMATION SEE 3M 78-5102-0078-1.
 - 8 IN THE EVENT OF CONFLICT BETWEEN THIS DATA AND THAT CONTAINED IN THE PRODUCT SPECIFICATION, THE PRODUCT SPECIFICATION TAKES PRECEDENT.

PERFORMANCE [7][8]

CURRENT:	1A, 6 LINES ENERGIZED
INSULATION RESISTANCE:	>1X10 ⁹ OHMS AT 500 VDC
WITHSTANDING VOLTAGE:	500 VACrms AT SEA LEVEL
TEMPERATURE RATING:	-55°C TO +105°C

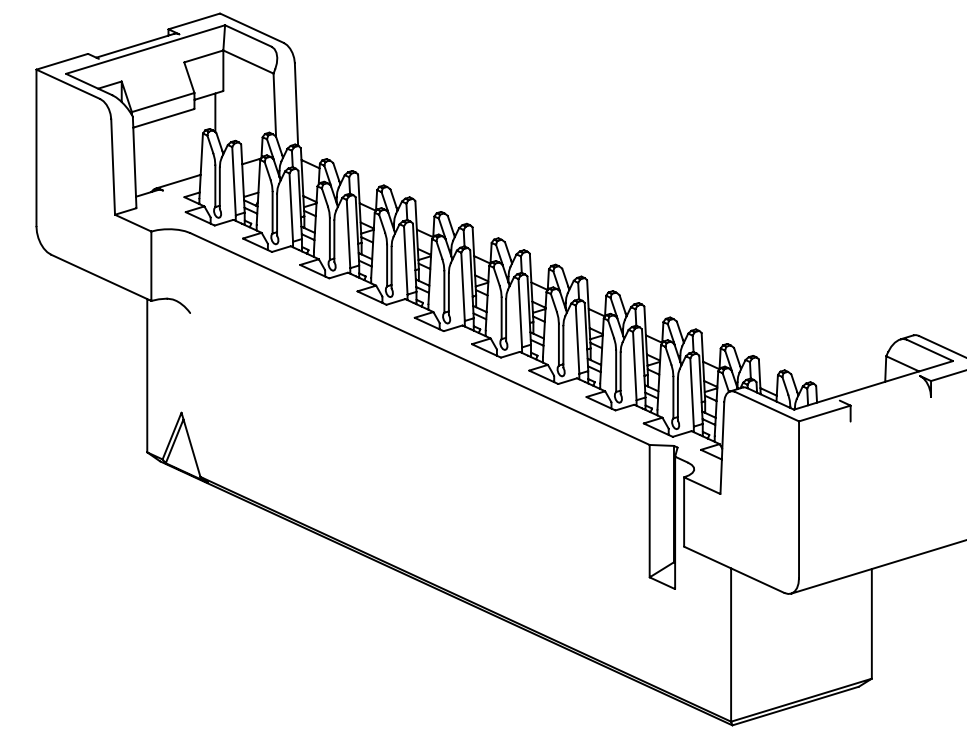
DESIGN REFERENCE	NEXT ASSEMBLY	REV	ECO	ISSUE DATE AND DESCRIPTION	DRFT	CHKD
DIVISION	DIVISION CODE	DATE	DATE	DATE	DATE	DATE
DO NOT SCALE DRAWING	SCALE 6-1	TOLERANCES EXCEPT AS NOTED				
THIRD ANGLE PROJECTION	INTERPRET PER ASME Y14.5 - 1994	MILLIMETERS	TITLE 3M RIBBON CABLE SOCKET 2 MM x 2 MM PITCH 158 SERIES			
MAX SURFACE ROUGHNESS 125	ALL SURFACES	ANGLES ±1°	CAGE NUMBER	SIZE	DRAWING NO.	REV.
✓	✓		D	78-5100-2358-9	B	B
			MODEL	ISSUES	YES	NO
				SHT	1	OF 2

METRIC [ENGLISH]

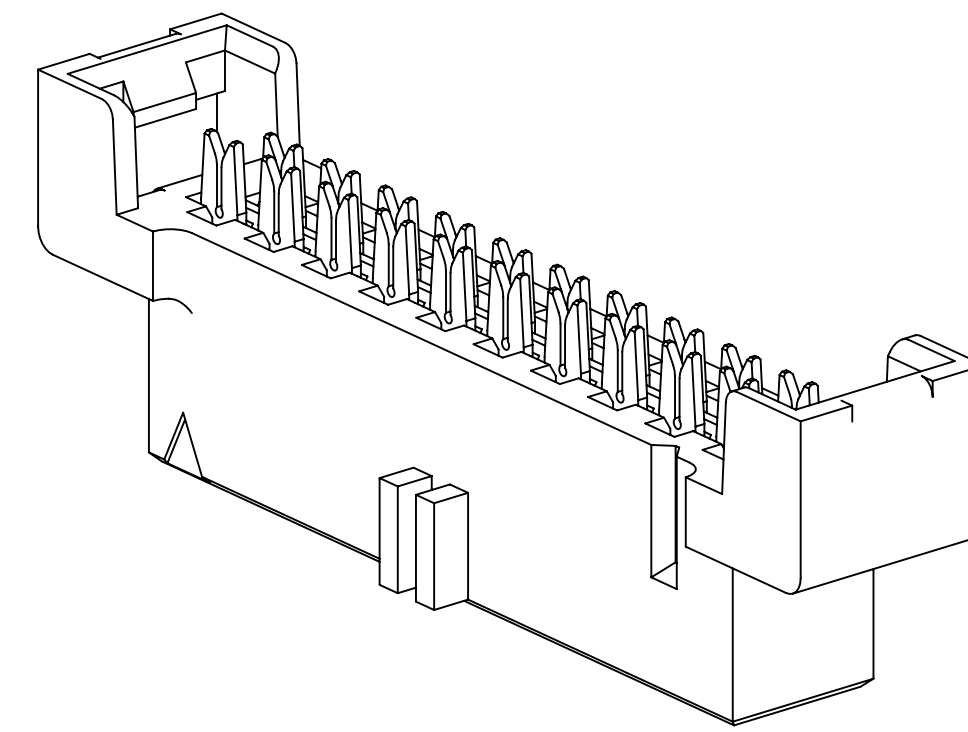
78-5100-2358-9

3M™ Ribbon Cable Socket 2 mm X 2 mm Pitch 158 Series

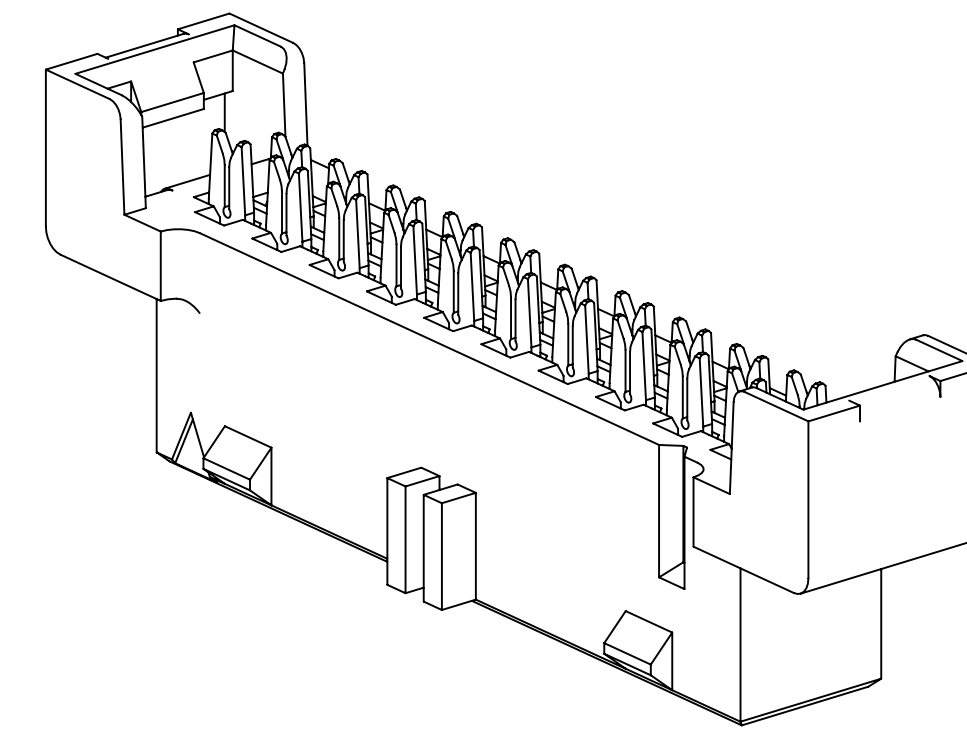
NUMBER OF POSITIONS	DIM A	DIM B	DIM C	DIM D	DIM E	DIM F	DIM G
6	6.39 [.252]	12.64 [.497]	8.98 [.354]	10.81 [.426]	11.32 [.446]	12.64 [.497]	N/A
8	8.39 [.330]	14.64 [.576]	10.98 [.432]	12.81 [.504]	13.32 [.524]	14.64 [.576]	N/A
10	10.39 [.409]	16.64 [.655]	12.98 [.511]	14.81 [.583]	15.32 [.603]	16.64 [.655]	N/A
12	12.39 [.488]	18.64 [.734]	14.98 [.590]	16.81 [.662]	17.32 [.682]	18.64 [.734]	N/A
14	14.39 [.567]	20.64 [.812]	16.98 [.669]	18.81 [.741]	19.32 [.761]	20.64 [.812]	8.00 [.315]
16	16.39 [.645]	22.64 [.891]	18.98 [.747]	20.81 [.819]	21.32 [.839]	22.64 [.891]	10.00 [.394]
20	20.39 [.803]	26.64 [1.049]	22.98 [.905]	24.81 [.977]	25.32 [.997]	26.64 [1.049]	14.00 [.551]
22	22.39 [.882]	28.64 [1.127]	24.98 [.984]	26.81 [1.056]	27.32 [1.076]	28.64 [1.127]	16.00 [.630]
24	24.39 [.960]	30.64 [1.206]	26.98 [1.062]	28.81 [1.134]	29.32 [1.154]	30.64 [1.206]	18.00 [.709]
26	26.39 [1.039]	32.64 [1.285]	28.98 [1.141]	30.81 [1.213]	31.32 [1.233]	32.64 [1.285]	20.00 [.787]
30	30.39 [1.197]	36.64 [1.442]	32.98 [1.299]	34.81 [1.371]	35.32 [1.391]	36.64 [1.442]	24.00 [.945]
34	34.39 [1.354]	40.64 [1.600]	36.98 [1.456]	38.81 [1.528]	39.32 [1.548]	40.64 [1.600]	28.00 [1.102]
40	40.39 [1.590]	46.64 [1.836]	42.98 [1.692]	44.81 [1.764]	45.32 [1.784]	46.64 [1.836]	34.00 [1.339]
44	44.39 [1.748]	50.64 [1.994]	46.98 [1.850]	48.81 [1.922]	49.32 [1.942]	50.64 [1.994]	38.00 [1.496]
50	50.39 [1.984]	56.64 [2.230]	52.98 [2.086]	54.81 [2.158]	55.32 [2.178]	56.64 [2.230]	44.00 [1.732]



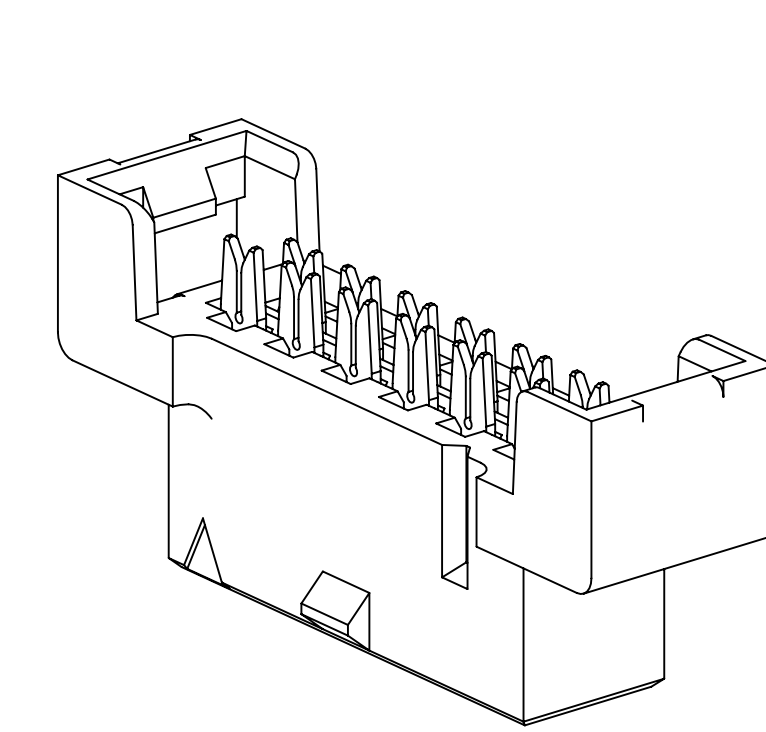
SOCKET WITHOUT OPTIONS
ALL POSITIONS



CENTER BUMP OPTION
ALL POSITIONS



CENTER BUMP WITH
FRICTION BUMP OPTION
14-50 POSITIONS



CENTER FRICTION BUMP OPTION
6-12 POSITIONS ONLY

ORDERING INFORMATION

TIER 1 - BEST
1581XX-1X00

TIER _____
1 = BEST

POSITION COUNT _____
(SEE TABLE)

PART CONFIGURATION _____
1 = ADHESIVE COVER

POLARIZATION/LATCHING _____
1 = CENTER BUMP,
NO FRICTION BUMP

PLATING _____
BLANK = 0.76 μ m
[30 μ in] GOLD

PACKAGING _____
0 = TRAY

TIER 2 - BETTER
1582XX-0X20XX

TIER _____
2 = BETTER

POSITION COUNT _____
(SEE TABLE)

PART CONFIGURATION _____
0 = PREASSEMBLED COVER

POLARIZATION/LATCHING _____
0 = WITHOUT CENTER BUMP
1 = CENTER BUMP,
NO FRICTION BUMP
2 = CENTER BUMP AND
FRICTION BUMP

PLATING _____
BLANK = 0.76 μ m
[30 μ in] GOLD
15 = 0.38 μ m
[15 μ in] GOLD

PACKAGING _____
2 = SWORDS

TIER 3 - VALUE
1583XX-211015

TIER _____
3 = VALUE

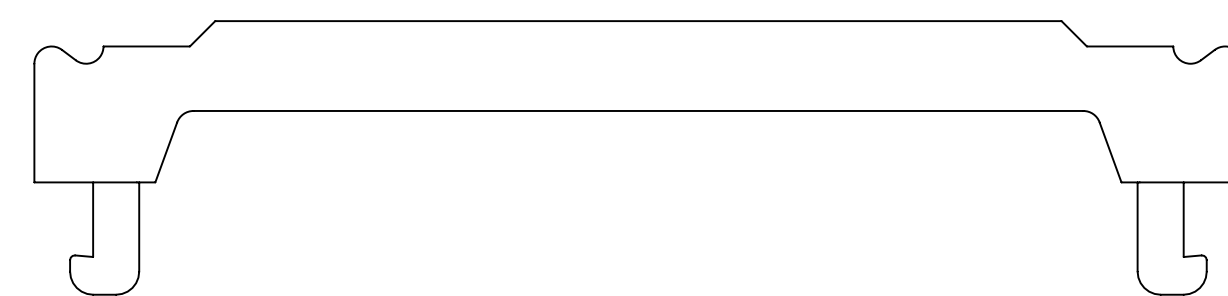
POSITION COUNT _____
(SEE TABLE)

PART CONFIGURATION _____
2 = SEPARATE COVER

POLARIZATION/LATCHING _____
1 = CENTER BUMP,
NO FRICTION BUMP

PLATING _____
15 = 0.38 μ m
[15 μ in] GOLD

PACKAGING _____
1 = BULK PACK



STRAIN RELIEF
3448-158XX

POSITION COUNT
(SEE TABLE)

METRIC [ENGLISH]

REV	ECO	ISSUE DATE AND DESCRIPTION	DRFT	CHKD
B	31126	NOV 11, 2010 ADDED DIMENSIONS REVISED ORDERING INFORMATION	LDS	SF
A	30741	OCT 28, 2010 INITIAL RELEASE	LDS	SF

DESIGN REFERENCE	NEXT ASSEMBLY

DO NOT SCALE DRAWING	SCALE	TOLERANCES EXCEPT AS NOTED
	6 1	

INCHES	MILLIMETERS
.00	0
.005	0.13
.010	0.25
.020	0.51
.050	1.27
.100	2.54

THIRD ANGLE PROJECTION

INTERPRET PER ASME Y14.5 - 1994

MAX SURFACE ROUGHNESS

125 ALL SURFACES

MARKED ONLY

ANGLES \pm 1°

TITLE	CAGE NUMBER	SIZE	DRAWING NO.	REV.
3M RIBBON CABLE SOCKET 2 MM x 2 MM PITCH 158 SERIES	D	78-5100-2358-9	B	

© 3M COPYRIGHT 2010
This document and the information it contains are 3M property and may not be reproduced or further distributed without 3M permission, or used or disclosed other than for 3M authorized purposes. All rights reserved.

3M Center St. Paul, MN 55144

DEF: YES NO SHT 2 OF 2