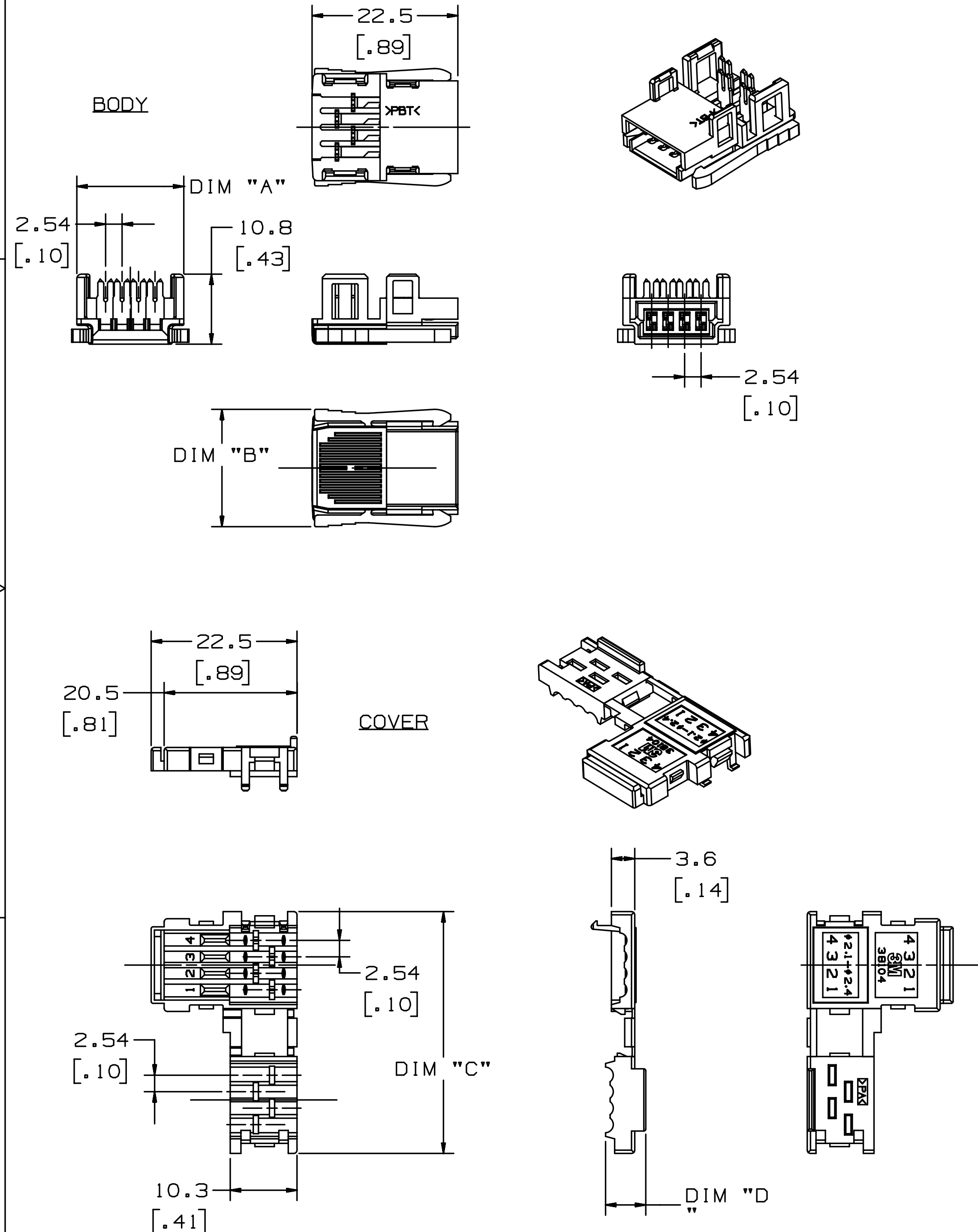


# 3M™ LINK CONNECTOR, 2.54mm[.100"], WIREMOUNT, HERMAPHRODITIC, 381 SERIES

- Notes:**
- Material:**  
Body: PBT, UL94V-0  
Cover: Nylon  
Contacts: Copper Alloy
  - Plating:**  
1.27 μm Nickel underplate  
0.2 μm min. Gold with Lubricant in wiping area  
Nickel on IDC
  - Wire Accommodation:**  
18 AWG [0.75mm<sup>2</sup>] Tinned, solid, 7 or 19 stranded, PVC  
20 AWG [0.50mm<sup>2</sup>] Tinned, solid, 7 stranded, PVC  
22 AWG [0.30mm<sup>2</sup>] Tinned, solid, 7 stranded, PVC
  - Marking:**  
3M Logo, Part Number, Position Identification'  
Insulator Material
  - Mating Compatibility:** 381 and 382 SERIES
  - Regulatory:**  
UL File No.: E68080 (18 AWG only)
- RoHS Compliant:**  
See the Regulatory Information Appendix (RIA) in the "RoHS Compliance" section of [www.3MConnector.com](http://www.3MConnector.com) for compliance information. (RIA E1 & C1 apply).
- Reference Related Documents:**  
Product Specification:  
3M Doc. ID# 78-5102-0091-4  
Tooling and Installation Instructions:  
3M Doc. ID# 78-9101-5361-4



Performance:	
Current Rating:	5.0A
Voltage Rating:	160V
Insulation Resistance:	> 1 x 10 <sup>8</sup> Ohms at 500 VDC
Withstanding Voltage:	1000VACrms at sea level
Operating Temperature:	-20°C to +70°C
UL Temperature Rating:	+65°C

DESIGN REFERENCE	NEXT ASSEMBLY	REV	ECO	ISSUE DATE AND DESCRIPTION	DRFT	CHKD
DISTRIBUTION CODES		DRFT	MWL	DATE	DATE	DATE
		CHKD		DATE	APPVL	DATE
DIVISION	Interconnect Solutions	DIVISION CODE	ISD			
DO NOT SCALE DRAWING	SCALE 4/1	TOLERANCES EXCEPT AS NOTED		© 3M COPYRIGHT 2011 This document and the information it contains are 3M property and may not be reproduced or further distributed without 3M permission, or used or disclosed other than for 3M authorized purposes. All rights reserved.		
THIRD ANGLE PROJECTION		INCHES	.0 ±	TITLE		
INTERPRET PER ASME Y14.5 - 1994		MILLIMETERS	0 ±	2.54mm[.100"] LINK WIREMOUNT, HERMAPHRODITIC 381		
MAX SURFACE ROUGHNESS	125		.0 ± .3	CAGE NUMBER	SIZE	DRAWING NO.
<input type="checkbox"/> ALL SURFACES	<input checked="" type="checkbox"/> MARKED ONLY	ANGLES ±1°	.00 ± .13	<b>C</b>	<b>78-5100-2098-1</b>	REV. <b>E</b>
			.000 ±	MODEL	DET. <input type="checkbox"/> LISTS <input type="checkbox"/> YES <input checked="" type="checkbox"/> NO	SHT 1 OF 2

78-5100-2098-1  
DRAWING NUMBER  
E  
REVISION

3M™ LINK CONNECTOR, 2.54mm[.100"], WIREMOUNT, HERMAPHRODITIC, 381 SERIES

# PART ORDERING INFORMATION

3810X-X0XX-X0X FL (RIA E1 & C1 APPLY)

**NUMBER OF POSITIONS:**  
2 = 2 POSITION  
4 = 4 POSITION

**COVER SHAPE:**  
3M  
0 = 2.54mm FLAT CABLE  
E = DISCRETE WIRE 2.1 - 2.4mm DIA  
F = DISCRETE WIRE 1.8 - 2.1mm DIA  
W = DISCRETE WIRE 1.4 - 1.7mm DIA  
H = DISCRETE WIRE 1.1 - 1.4mm DIA

**CC Link/LT**  
M = 2.54mm FLAT CABLE  
A = DISCRETE WIRE 2.1 - 2.4mm DIA  
B = DISCRETE WIRE 1.8 - 2.1mm DIA

**MARKING**  
0 = 3M  
M = CC-Link/LT

**COLOR:**  
SEE TABLE 1 SHT 2

**WIRE AWG:**  
18  
20  
22

## AVAILABLE PRODUCTS

PART NUMBER	COVER SHAPE O.D./WIRE TYPE	WIRE SIZE AWG/mm <sup>2</sup>	DIM "A"	DIM "B"	DIM "C"	DIM "D"	MARKING/SHAPE	COLOR		
								BODY	COVER	CODE
38104-0018-000 FL	2.54 FLAT CABLE	18 / 0.75	16.5	18.1	37.3	6.2	3M	BLACK	BLACK	O
38104-E018-E00 FL	2.1 - 2.4 DISCRETE	18 / 0.75	16.5	18.1	37.3	6.2	3M	BLACK	ORANGE	E
38104-F018-F00 FL	1.8 - 2.1 DISCRETE	18 / 0.75	16.5	18.1	37.3	6.2	3M	BLACK	YELLOW	F
38104-0020-100 FL	2.54 FLAT CABLE	20 / 0.50	16.5	18.1	37.3	6.2	3M	GRAY	BLACK	I
38104-E020-G00 FL	2.1 - 2.4 DISCRETE	20 / 0.50	16.5	18.1	37.3	6.2	3M	GRAY	ORANGE	G
38104-F020-H00 FL	1.8 - 2.1 DISCRETE	20 / 0.50	16.5	18.1	37.3	6.2	3M	GRAY	YELLOW	H
38104-H022-K00 FL	1.1 - 1.4 DISCRETE	22 / 0.30	11.5	13.1	27.3	5.4	3M	WHITE	WHITE	K
38104-M018-M0M FL	2.54 FLAT CABLE	18 / 0.75	16.5	18.1	37.3	6.2	CC Link/LT	BLUE	BLUE	M
38104-A018-A0M FL	2.1 - 2.4 DISCRETE	18 / 0.75	16.5	18.1	37.3	6.2	CC Link/LT	BLUE	D.GREEN	A
38104-B018-B0M FL	1.8 - 2.1 DISCRETE	18 / 0.75	16.5	18.1	37.3	6.2	CC Link/LT	BLUE	L.GREEN	B
38102-0018-000 FL	2.54 FLAT CABLE	18 / 0.75	11.5	13.1	27.3	6.2	3M	BLACK	BLACK	O
38102-F020-H00 FL	1.8 - 2.1 DISCRETE	20 / 0.50	11.5	13.1	27.3	6.2	3M	GRAY	YELLOW	H
38102-W022-W00 FL	1.4 - 1.7 DISCRETE	22 / 0.30	11.5	13.1	27.3	5.4	3M	WHITE	PINK	W

E	36079	SEP 09, 2011	MWL	SAN
		CONVERT TO NEW ENG. FORMAT, ADD 2 POSITION PART		
REV	ECO	ISSUE DATE AND DESCRIPTION	DRFT	CHKD
		DATE AUG 30, 2011	DATE	DATE
		DATE	APPVL	DATE
DESIGN REFERENCE INTERCONNECT SOLUTIONS DO NOT SCALE DRAWING SCALE 4/1 TOLERANCES EXCEPT AS NOTED INCHES .0 ± .00 ± .000 ± .0000 ± MILLIMETERS 0 ± .0 ±.3 .00 ±.13 .000 ± ANGLES ±1°		DIVISION CODE ISD TITLE 2.54mm[.100"] LINK WIREMOUNT, HERMAPHRODITIC 381 CAGE NUMBER 78-5100-2098-1 DET. <input type="checkbox"/> YES <input checked="" type="checkbox"/> NO SHT 2 OF 2		
DIVISION Interconnect Solutions DO NOT SCALE DRAWING SCALE 4/1 TOLERANCES EXCEPT AS NOTED INCHES .0 ± .00 ± .000 ± .0000 ± MILLIMETERS 0 ± .0 ±.3 .00 ±.13 .000 ± ANGLES ±1°		3M 3M Center St. Paul, MN 55144 © 3M COPYRIGHT 2011 This document and the information it contains are 3M property and may not be reproduced or further distributed without 3M permission, or used or disclosed other than for 3M authorized purposes. All rights reserved. CAGE NUMBER 78-5100-2098-1 DET. <input type="checkbox"/> YES <input checked="" type="checkbox"/> NO SHT 2 OF 2		

78-5100-2098-1  
DRAWING NUMBER

A