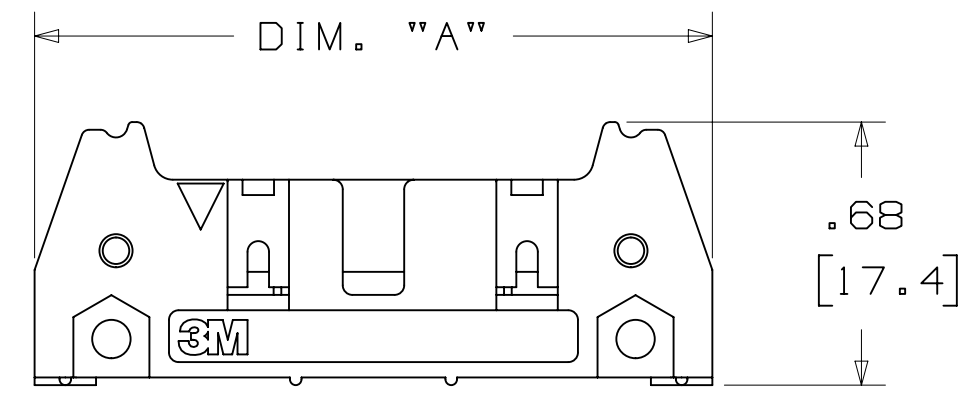
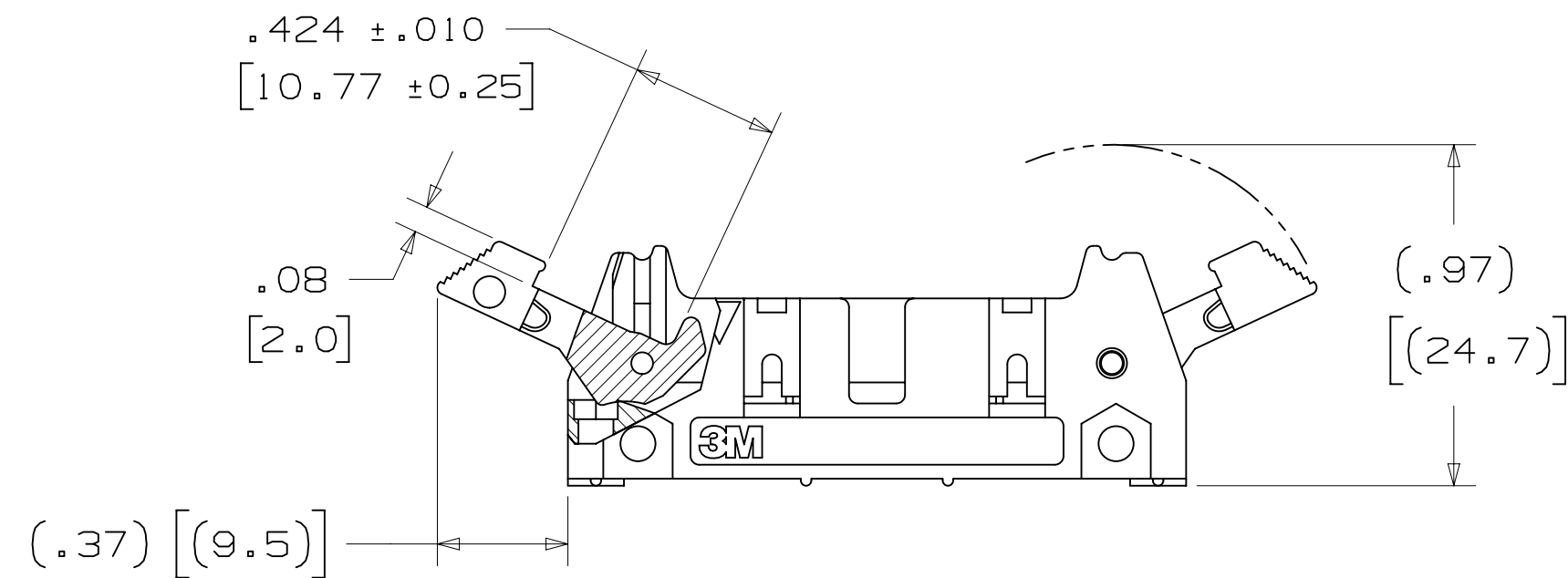


3M™ FOUR-WALL HEADER, 3000 SERIES

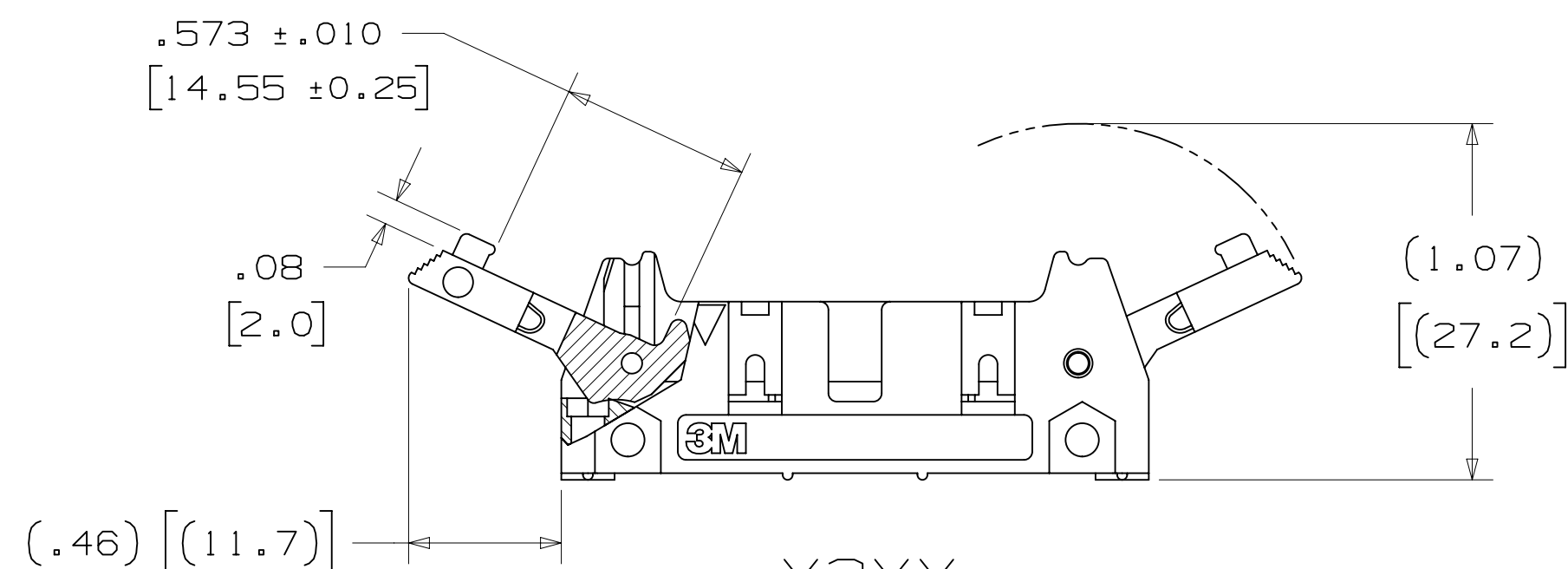
.100" X .100" LATCH/EJECTOR, STRAIGHT AND RIGHT ANGLE



-X0XX
HEADER WITHOUT LATCH/EJECTOR



-X2XX
HEADER WITH SHORT LATCH/EJECTOR
FOR 3M SOCKETS WITHOUT STRAIN RELIEF



-X3XX
HEADER WITH LONG LATCH/EJECTOR
FOR 3M SOCKETS WITH STRAIN RELIEF

- * MILITARY (WITH 3M'S N3518 POLARIZING KEY) AND CENTERBUMP POLARIZATION.
- * OPTIONAL EJECTOR LATCHES.
- * MOUNTING HOLES FOR SECURING HEADER TO BOARD.
- * OPTIONAL POLARIZING POSTS AVAILABLE.
- * HIGH TEMPERATURE INSULATOR SUITABLE FOR "NO LEAD" SOLDERING OPERATIONS.
- * SUITABLE FOR REFLOW SOLDERING USING "PASTE IN HOLE" TECHNIQUES.
- * SOLDER TAIL OPTION.

2 PHYSICAL :

INSULATOR: GLASS FILLED POLYESTER (PCT)
 MATERIAL: UL94V-0
 FLAMMABILITY: BLACK
 COLOR: COPPER ALLOY
 CONTACT: PLATING:
 UNDER PLATING: 100μ" [2.54μm] NICKEL-OVERALL
 WIPING AREA: 30μ" [0.76μm] AVG. GOLD
 SOLDER TAILS: TIN LEAD OR MATTE TIN (SEE ORDERING INFORMATION)
 MARKINGS: 3M LOGO, PART IDENTIFICATION NUMBER AND ORIENTATION TRIANGLE

2 ELECTRICAL :

CURRENT RATING: 5.00A, 1 CONTACT POWERED
 3.00A, 6 CONTACTS POWERED
 1.75A, ALL CONTACTS POWERED
 RATING CONDITIONS: EIA-364-070 METHOD 2, 30°C MAXIMUM TEMPERATURE RISE, 20% DERATED. REFERENCE APPROPRIATE 3M PRODUCT SPECIFICATION FOR DETAILED CURRENT DERATING CURVES.
 INSULATION RESISTANCE: >1 X 10⁹Ω AT 500 V_{DC}
 WITHSTANDING VOLTAGE: 1,000V_{RMS} AT SEA LEVEL

2 ENVIRONMENTAL :

TEMPERATURE RATING: -55°C TO 105°C
 PROCESS RATING: 260°C, PER J-STD-020C, SINGLE PASS
 MOISTURE SENSITIVITY LEVEL: 1 (PER J-STD-020C)

- NOTES
1. REGULATORY INFORMATION: ROHS COMPLIANT. SEE THE REGULATORY INFORMATION APPENDIX (RIA) IN THE "ROHS COMPLIANCE" SECTION OF WWW.3MCONNECTORS.COM FOR COMPLIANCE INFORMATION.
 2. IN THE EVENT OF CONFLICT BETWEEN THIS DATA AND THAT CONTAINED IN THE PRODUCT SPECIFICATION, THE PRODUCT SPECIFICATION TAKES PRECEDENT.
 3. NOTCHES A & C WILL ACCOMMODATE 3M POLARIZING KEY: N3518.
 4. MOUNTING HARDWARE: FROM SOLDER SIDE OF PC BOARD USE #4-24 THREAD CUTTING SCREW (3M PART #3341-5) WITH Ø.116 [2.95] MOUNTING HOLE. FOR RIGHT ANGLE VERSION ONLY: #2-56 BOLT AND NUT (3M PART #3341-6) WITH Ø.106 [2.69] MOUNTING HOLE MAY BE USED.
 5. THE RECOMMENDED PCB HOLE SIZE FOR THE KINKED TAIL POSITIONS ON THE .112 SOLDER TAIL CONNECTOR IS Ø.035±.002. (SEE K2 VERSION).

ORDERING INFORMATION

X3XXX - XXXXXX

N = HIGH TEMP BLACK (PCT)/(RB PLATING REQ'D)
 BLANK = (UB PLATING)

3M PART NUMBER:
 (SEE TABLE 1)

PIN CONFIGURATION:
 5 = RIGHT ANGLE SOLDER TAILS
 6 = STRAIGHT SOLDER TAILS

PLATING:

RB = 30μ" [0.76μm] GOLD AND 200μ" [5.08μm] MATTE TIN (APP. E1 & C1 APPLY)
 UB = 30μ" [0.76μm] GOLD AND 200μ" [5.08μm] TIN LEAD (APP. E3 & C2 APPLY)

TAIL:

02 = FOR .062 [1.57] THICK BOARD
 03 = FOR .094 TO .125 [2.39 TO 3.18] THICK BOARD
 K2 = KINKED FOR .062 [1.57] THICK BOARD

LATCH/EJECTOR SYSTEM:

0 = NO LATCH/EJECTOR INSTALLED
 2 = SHORT ROLL PIN LATCH/EJECTORS
 3 = LONG ROLL PIN LATCH/EJECTORS

DIMENSIONS: INCHES [MM]
 [MM] IS REF. ONLY

| DESIGN REFERENCE | NEXT ASSEMBLY | REV | ECO | ISSUE DATE AND DESCRIPTION | DRFT | CHKD |
|------------------------|---------------------------------|----------------------------|---|---|--------------------|--------------------------|
| | | S | 60056 | MAR 06, 2015 REVISE ORDERING NUMBER | JNC | RS |
| | | R | 56068 | JUL 25, 2014 REVISED AND REDRAWN | JNC | RS |
| DRW CODES | | CHKD | CASTIGLIONE | DATE JUL 25, 2014 | APPR R. SCHERER | DATE SEP 05, 2014 |
| DIVISION | Interconnect Solutions | DIVISION CODE | EMSD | © 3M COPYR [GHT] 2015 This document and the information it contains are 3M property and may not be reproduced or further distributed without 3M permission, or used or disclosed other than for 3M authorized purposes. All rights reserved. | | |
| DO NOT SCALE DRAWING | SCALE 2/1 | TOLERANCES EXCEPT AS NOTED | INCHES .00 ± .01 .000 ± .005 .0000 ± | | | |
| THIRD ANGLE PROJECTION | INTERPRET PER ASME Y14.5 - 2009 | MILLIMETERS | 0 ± .3 .00 ± .13 .000 ± | | | |
| MAX SURFACE ROUGHNESS | DTX SURFACES | MARKED ONLY | CAGE NUMBER | SIZE | DRAWING NO. | REV. |
| | | | D | 78-5100-0772-3 | S | |
| | | | MODEL | 3000 SERIES | DET | ISTS YES X NO SHT 1 OF 4 |

3M ELECTRONIC MATERIALS SOLUTIONS DIVISION
 INTERCONNECT SOLUTIONS
<http://www.3mconnectors.com>

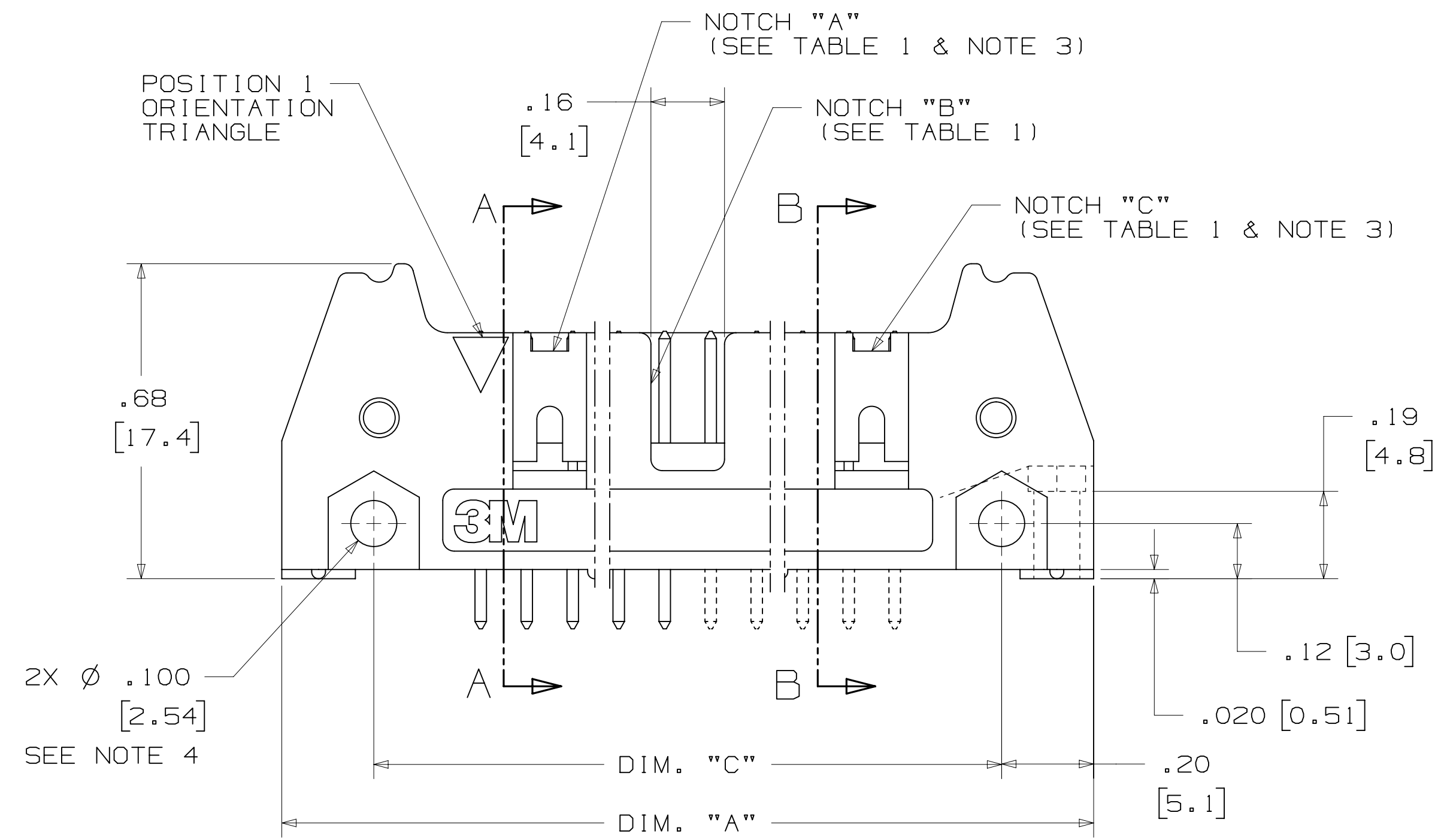
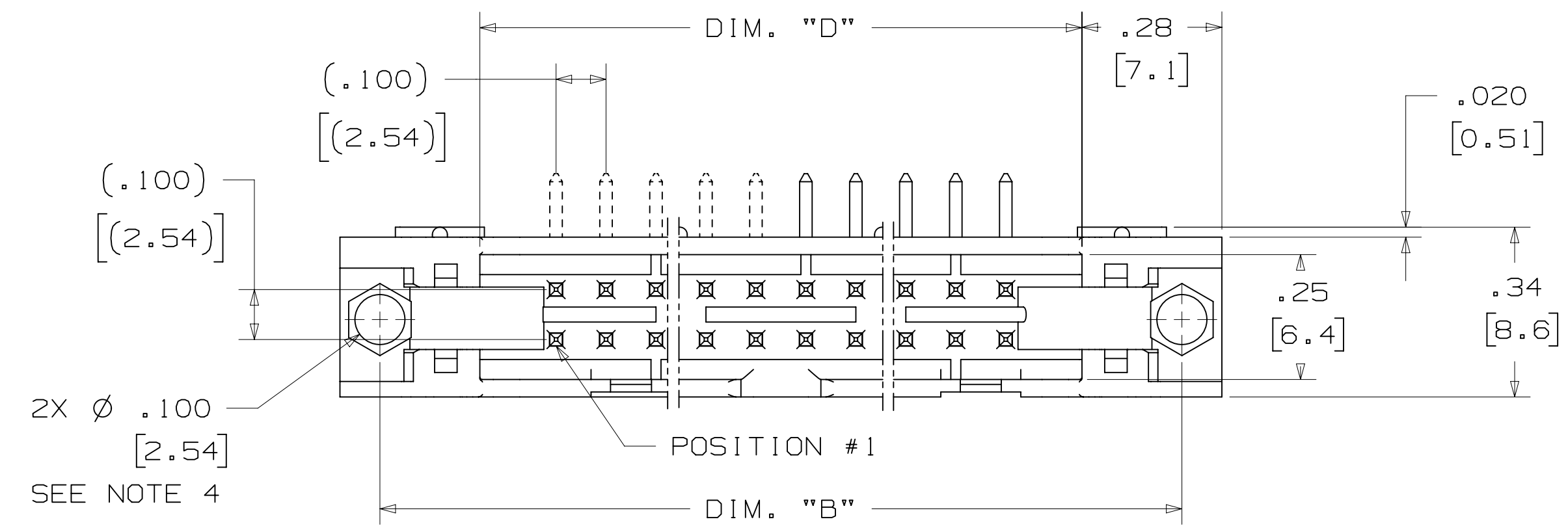
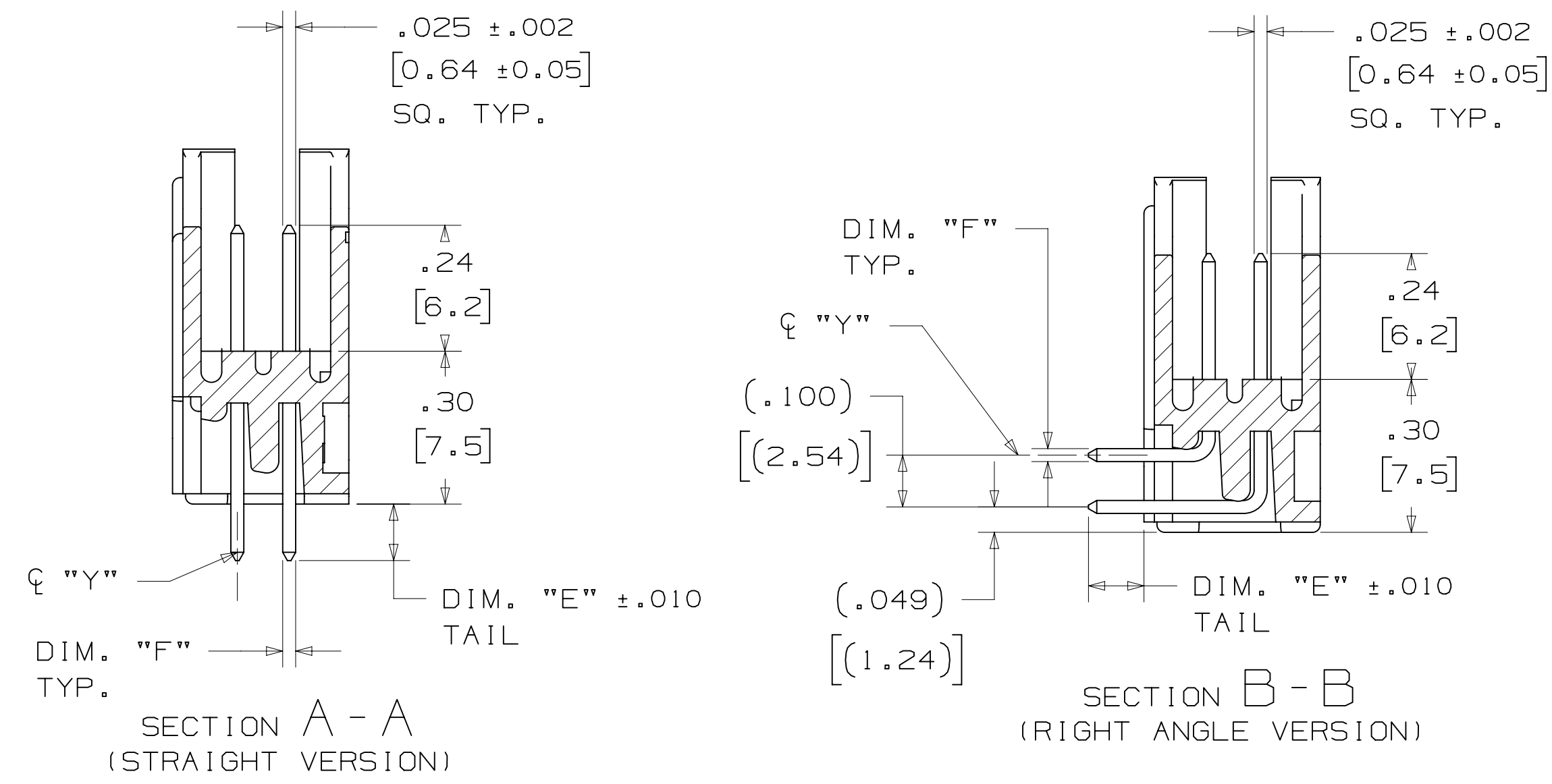
3M IS A TRADEMARK OF 3M COMPANY.
 FOR TECHNICAL, SALES OR ORDERING
 INFORMATION CALL 800-225-5373

CAUS
 UL FILE NO: E68080

78-5100-0772-3
 DRAWING NUMBER
 12:54 PM UTC-06:00
 S
 REVISION
 B
 A

3M™ FOUR-WALL HEADER, 3000 SERIES

.100" X .100" LATCH/EJECTOR, STRAIGHT AND RIGHT ANGLE



| PIN QTY. | 3M PART NUMBER | DIM. "A" | DIM. "B" | DIM. "C" | DIM. "D" | POLARIZING NOTCHES | PIN QTY. |
|----------|----------------|--------------|---------------|---------------|-------------|--------------------|----------|
| 06 | 3869 | 1.06 [27.0] | .905 [22.99] | .665 [16.89] | .51 [12.9] | B* | 06 |
| 08 | 3889 | 1.16 [29.5] | 1.005 [25.53] | .765 [19.43] | .61 [15.5] | B* | 08 |
| 10 | 3793 | 1.26 [32.1] | 1.105 [28.04] | .865 [21.97] | .71 [18.0] | BC | 10 |
| 14 | 3314 | 1.46 [37.2] | 1.305 [33.12] | 1.065 [27.05] | .91 [23.1] | BC | 14 |
| 16 | 3408 | 1.56 [39.7] | 1.405 [35.66] | 1.165 [29.59] | 1.01 [25.6] | ABC | 16 |
| 20 | 3428 | 1.76 [44.8] | 1.604 [40.74] | 1.365 [34.67] | 1.21 [30.7] | ABC | 20 |
| 24 | 3627 | 1.96 [49.9] | 1.805 [45.82] | 1.565 [39.75] | 1.41 [35.8] | ABC | 24 |
| 26 | 3429 | 2.06 [52.4] | 1.905 [48.36] | 1.665 [42.29] | 1.51 [38.3] | ABC | 26 |
| 30 | 3440 | 2.26 [57.5] | 2.105 [53.44] | 1.865 [47.37] | 1.71 [43.4] | ABC | 30 |
| 34 | 3431 | 2.46 [62.6] | 2.305 [58.52] | 2.065 [52.45] | 1.91 [48.5] | ABC | 34 |
| 40 | 3432 | 2.76 [70.2] | 2.605 [66.14] | 2.365 [60.07] | 2.21 [56.1] | ABC | 40 |
| 50 | 3433 | 3.26 [82.9] | 3.105 [78.84] | 2.865 [72.77] | 2.71 [68.8] | ABC | 50 |
| 60 | 3372 | 3.76 [95.6] | 3.605 [91.54] | 3.365 [85.47] | 3.21 [81.5] | ABC | 60 |
| 64 | 3764 | 3.96 [100.7] | 3.805 [96.62] | 3.565 [90.55] | 3.41 [86.6] | ABC | 64 |

* AVAILABLE WITHOUT CENTER NOTCH B. CONTACT 3M

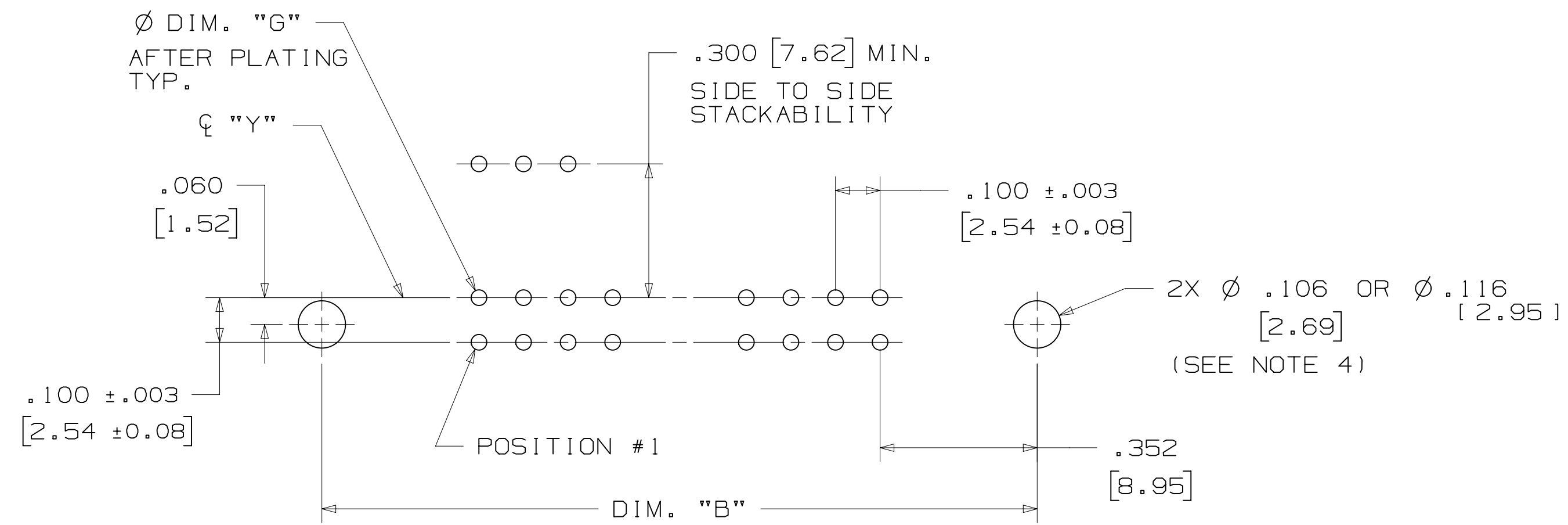
| 3M PART NUMBER SUFFIX | CONTACT TAIL | DIM. "E" | PIN CROSS SECTION | | | DIM. "G" |
|-----------------------|---|-------------|--------------------|-----------------|-------------------|-----------------|
| -5XX2 | .062 [1.57] THICK PC BOARD | .112 [2.84] | DIM. "F" | DIAGONALS | CORNER RADIUS | .035±.003 [.89] |
| -6XX2 | | | .0245±.0005 [.622] | .028±.001 [.71] | .0075 REF. [.191] | SEE NOTE 5 |
| -5X03 | .094 [2.39] TO .125 [3.18] THICK PC BOARD | .155 [3.94] | .0245±.0005 [.622] | .028±.001 [.71] | .0075 REF. [.191] | .035±.003 [.89] |
| -6X03 | | | | | | |

| | | | | | | |
|----------------------------------|---------------|--------------------------------|-----|---|------|------|
| DESIGN REFERENCE | NEXT ASSEMBLY | REV | ECO | ISSUE DATE AND DESCRIPTION | DRFT | CHKD |
| | | CASTIGLIONE | | JUL 25, 2014 | | |
| DIVISION: Interconnect Solutions | | DIVISION CODE: EMSD | | DATE: JUL 25, 2014 | | |
| DO NOT SCALE DRAWING | | SCALE: 4/1 | | TOLERANCES EXCEPT AS NOTED | | |
| THIRD ANGLE PROJECTION | | INCHES: 0 ± .01 | | MILLIMETERS: 0 ± .005 | | |
| INTERPRET PER ASME Y14.5 - 2009 | | MAX SURFACE ROUGHNESS: 0 ± .13 | | DATE: SEP 05, 2014 | | |
| SURFACES MARKED ONLY | | ANGLES | | © 3M COPYRIGHT 2015 This document and the information it contains are 3M property and may not be reproduced or further distributed without 3M permission, or used or disclosed other than for 3M authorized purposes. All rights reserved. | | |
| CAGE NUMBER: D78-5100-0772-3 | | DRAWING NO.: | | TITLE: HEADER, 4-WALL, .100 X .100 LATCH/EJECTOR, STRAIGHT & RA MODEL: 3000 SERIES SHEET: SHT 2 OF 4 | | |

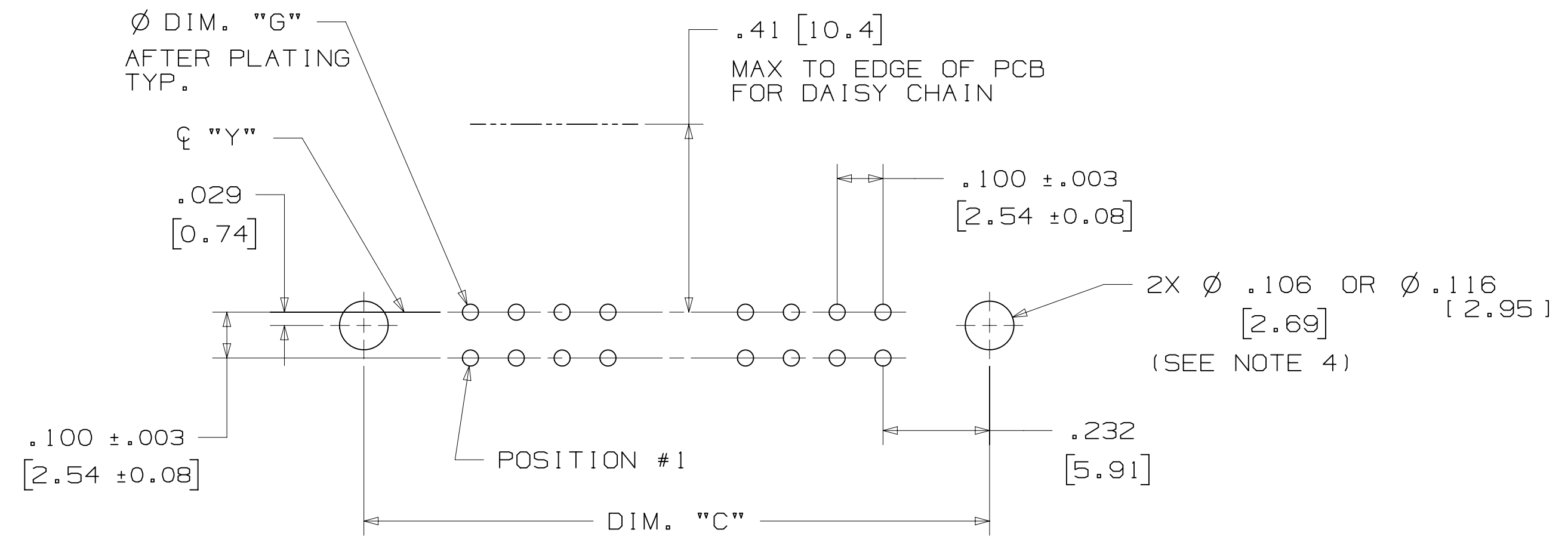
78-5100-0772-3
 DRAWING NUMBER
 S
 REVISION
 3/6/2015 12:54 PM UTC-06:00
 Imaged: S.1

3M™ FOUR-WALL HEADER, 3000 SERIES

.100" X .100" LATCH/EJECTOR, STRAIGHT AND RIGHT ANGLE



RECOMMENDED MOUNTING HOLE PATTERN
(STRAIGHT VERSION)



RECOMMENDED MOUNTING HOLE PATTERN
(RIGHT ANGLE VERSION)

PART CUSTOMIZATION

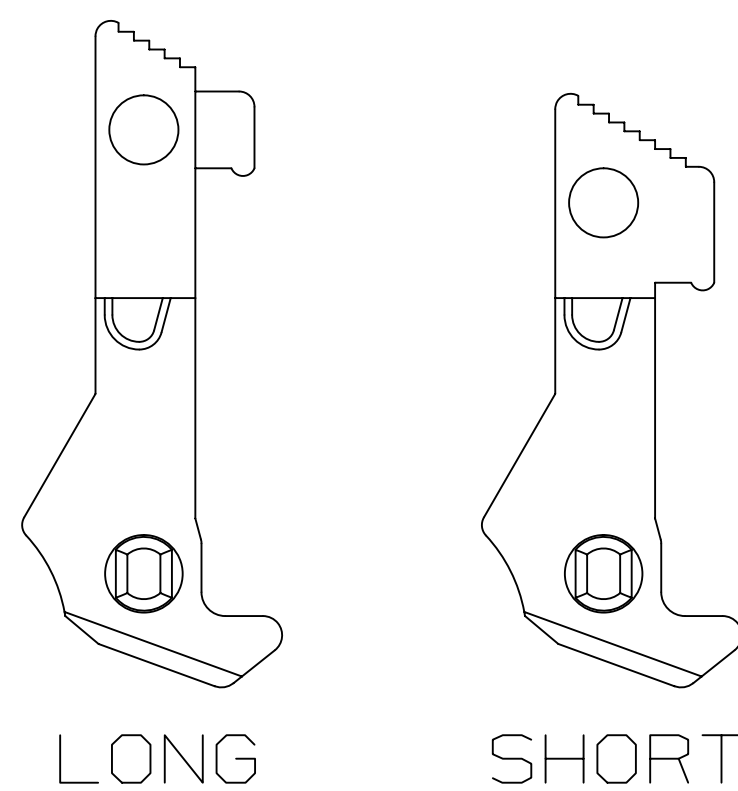
THIS SPEC SHEET DETAILS OUR STANDARD OFFERING.

3M HAS SEVERAL CAPABILITIES THAT CAN PROVIDE A PART TAILORED TO YOUR SPECIFIC NEEDS. ASK YOUR 3M SALES REPRESENTATIVE OR CUSTOMER SERVICE FOR MORE DETAILS.

BOTH SNAP-IN AND ROLL PIN LATCHES MAY BE ORDERED SEPARATELY. SNAP-IN AND ROLL PIN STYLE LATCHES ARE DIMENSIONALLY AND FUNCTIONALLY EQUIVALENT. IF ORDERING SNAP-IN OR ROLL PIN STYLE LATCHES SEPARATELY, PLEASE USE THE BELOW CHART.

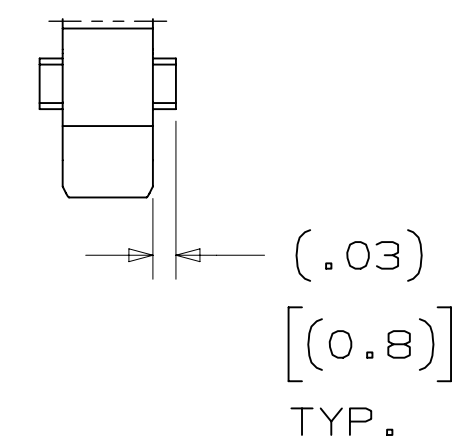
| MATERIAL | SHORT LATCH | LONG LATCH | LATCH STYLE | COLOR |
|------------------|-------------|------------|-------------|-------|
| HIGH TEMP. (PCT) | N3505-2B | N3505-3B | ROLL PIN | BLACK |
| HIGH TEMP. (PPA) | N3505-30B | N3505-31B | SNAP-IN | BLACK |

- * SELECTIVE PIN REMOVAL (ATA OR OTHER COMPATABILITY)
- * WIRE WRAP TAILS STYLE

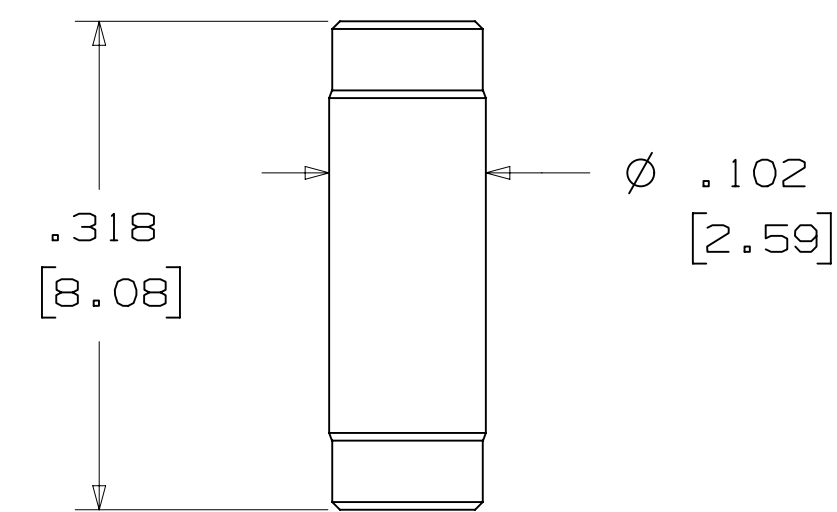


SNAP-IN LATCHES

NOTE:
SNAP-IN LATCHES CAN ONLY BE ORDERED SEPARATELY AND ARE THE CUSTOMERS RESPONSIBILITY TO INSTALL.



POLARIZING POST



| 3M PART NO. | MATERIAL | COLOR |
|-------------|----------|-------|
| 3201-4 | LCP | BLACK |

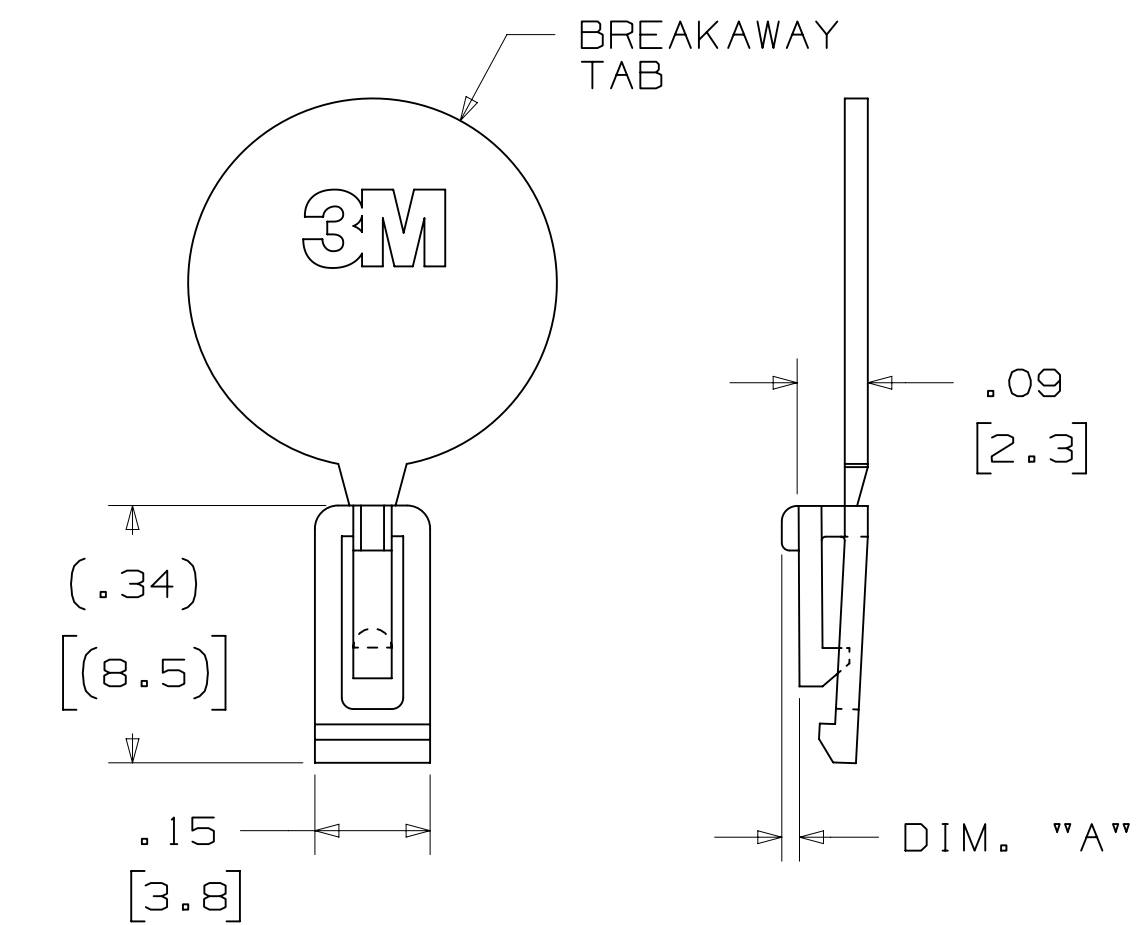
NOTE:
INSERT POST INTO ONE MOUNTING HARDWARE HOLE ON BOTTOM OF HEADER. SET POST TO PROTRUDE .115 [2.92]

K2 OPTION

| 2500 & 3000 SERIES SHROUDED HEADER | | | | | | |
|------------------------------------|---------------------|------------------|----|----|----|--|
| TOTAL NO. OF PINS | NO. OF TAILS KINKED | POSITIONS KINKED | | | | |
| 10 | 4 | 3 | 4 | 7 | 8 | |
| 14 | 4 | 3 | 4 | 11 | 12 | |
| 16 | 4 | 3 | 4 | 13 | 14 | |
| 20 | 4 | 3 | 4 | 17 | 18 | |
| 24 | 4 | 3 | 4 | 21 | 22 | |
| 26 | 4 | 3 | 4 | 23 | 24 | |
| 30 | 4 | 5 | 6 | 25 | 26 | |
| 34 | 4 | 7 | 8 | 27 | 28 | |
| 36 | 4 | 7 | 8 | 27 | 28 | |
| 40 | 4 | 7 | 8 | 33 | 34 | |
| 50 | 4 | 7 | 8 | 43 | 44 | |
| 60 | 4 | 11 | 12 | 49 | 50 | |
| 64 | 4 | 11 | 12 | 53 | 54 | |

KINKED TAIL DETAIL:
- KINK IS LOCATED .05" BELOW BOTTOM SURFACE OF PLASTIC.
- EXTERNAL RADIUS OF KINK TOWARD PART CENTERLINE.

POLARIZING KEYS



| 3M PART NO. | MATERIAL | COLOR | DIM. "A" |
|-------------|----------|-------|----------|
| N3518 | LCP | BLACK | .02 |

NOTE:
#2216 B/A SCOTCHWELD CAN BE USED TO ADHERE KEYS.

| DESIGN REFERENCE | NEXT ASSEMBLY | REV | ECO | ISSUE DATE AND DESCRIPTION | DRFT | CHKD |
|------------------|---------------|------|-------------|--|------|------|
| | | S | 60056 | MAR 06, 2015 REVISE ORDERING NUMBER | JNC | RS |
| | | R | 56068 | JUL 25, 2014 REVISED AND REDRAWN | JNC | RS |
| | | CHKD | CASTIGLIONE | DATE JUL 25, 2014 | DATE | DATE |
| | | APPV | R. SCHERER | DATE SEP 05, 2014 | | |

| DIVISION | DIVISION CODE |
|------------------------|---------------|
| Interconnect Solutions | EMSD |

| DO NOT SCALE DRAWING | SCALE | TOLERANCES EXCEPT AS NOTED |
|----------------------|--------|----------------------------|
| | 4 1 | |

| INTERPRET PER ASME Y14.5 - 2009 | TOLERANCES EXCEPT AS NOTED |
|---------------------------------|----------------------------|
| | |

| MAX SURFACE ROUGHNESS | MILLIMETERS |
|-----------------------|-------------|
| | |

| MARKED ONLY | ANGLES |
|-------------|--------|
| | |

| TITLE | 3M |
|--|------------------------------|
| HEADER, 4-WALL, .100 X .100 LATCH/EJECTOR, STRAIGHT & RA | 3M Center St. Paul, MN 55144 |

| CAGE NUMBER | SIZE | DRAWING NO. | REV. |
|-------------|------|----------------|------|
| D | | 78-5100-0772-3 | S |

| MODEL | 3000 SERIES |
|-------|-------------|
| | |

178-5100-0772-3
 REV. 05/2014
 3/6/2015 12:54 PM UTC-06:00

3M™ FOUR-WALL HEADER, 3000 SERIES
 .100" X .100" LATCH/EJECTOR, STRAIGHT AND RIGHT ANGLE

MOUNTING HARDWARE



3341-5
 (INSTALL FROM BOTTOM OF BOARD)
 PANHEAD THREAD CUTTING SCREW:
 #4-24 X 5/16"
 TYPE: USA STD BT, FEDERAL BG
 MATERIAL: STAINLESS STEEL



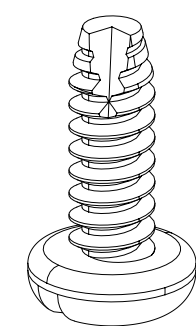
3341-6
 HEX HEAD BOLT, NUT AND WASHER:
 BOLT - #2-56 X 1/2"
 MATERIAL: STAINLESS STEEL



3341-6
 #2-56 NUT AND BOLT
 TORQUE FOR EACH BOLT: 1.25 - 3.125 INCH LBS.



#4-24 TYPE BT SELF THREADING SCREW
 WHEN USING LATCHES, MAXIMUM LENGTH
 OF SCREW IS .250 INCHES PLUS
 THICKNESS OF THE BOARD.
 TORQUE FOR EACH SCREW IS 3-5 INCH LBS.



3341-5

| | | | | | | |
|------------------------|---------------------------------|---|-----|----------------------------|--------------|------------|
| DESIGN REFERENCE | NEXT ASSEMBLY | REV | ECO | ISSUE DATE AND DESCRIPTION | DRFT | CHKD |
| | | | | DATE | DATE | DATE |
| | | | | CASTIGLIONE | JUL 25, 2014 | R. SCHERER |
| | | | | | | |
| DIVISION | DIVISION CODE | © 3M COPYRIGHT 2015 This document and the information it contains are 3M property and may not be reproduced or further distributed without 3M permission, or used or disclosed other than for 3M authorized purposes. All rights reserved. | | | | |
| Interconnect Solutions | EMSD | 3M Center St. Paul, MN 55144 | | | | |
| DO NOT SCALE DRAWING | SCALE 4/1 | TOLERANCES EXCEPT AS NOTED INCHES .00 ± .01 .000 ± .005 .0000 ± | | | | |
| THIRD ANGLE PROJECTION | INTERPRET PER ASME Y14.5 - 2009 | MILLIMETERS 0 ± .0 ± .3 .00 ± .13 .000 ± | | | | |
| MAX SURFACE ROUGHNESS | MARKED ONLY | TITLE HEADER, 4-WALL, .100 X .100 LATCH/EJECTOR, STRAIGHT & RA CAGE NUMBER D78-5100-0772-3 MODEL 3000 SERIES DET. <input type="checkbox"/> YES <input checked="" type="checkbox"/> NO SHT 4 OF 4 | | | | |
| | | | | | | |

78-5100-0772-3
 DRAWING NUMBER
 S
 REVISION
 3/6/2015 12:54 PM UTC-06:00
 Imaged: S.1